

# SPECIFICATION

SPEC. NO:           DG1302001                                REV:           C1          

DATE:           21-Jul-2020          

PRODUCT NAME :           RJ45 + USB2.0\*2 W/LED            
          W/1000 Base-T Transformer          

PRODUCT NO:           RUA1JA-KXH1-DC0-0R(RoHS Compliant)          

东莞立德精密工业有限公司

***DONG GUAN LEADER PRECISION CO.,LTD.***

广东省东莞市清溪镇青皇村委会吊八山地段厂房 D 栋  
 Building D, Diaobashan Area, Qinghuang Village Committee,  
 Qing Xi Town, Dong Guan City, Guang Dong Province

TEL: 0086-769-8908-9000

FAX: 0086-769-8908 9971

	APPROVED	CHECKED	PREPARED	DCC ISSUE
Name	Josh	Richy Cammy	Kimmy	

LDQR-RD-072 Rev.01

# SPECIFICATION

Product Number: RUA1JA-KXH1-DC0-0R(RoHS Compliant)

Product Description : RJ45 + USB2.0\*2 W/LED & W/1000 Base-T Transformer

## 1 SCOPE

### 1.1 Content

1.1.1 This specification covers performance, tests and quality requirements for RJ45 + USB 2.0\*2 W/LED & W/1000 Base-T Transformer.

## 2 APPLICABLE DOCUMENTS

The following documents form a part of this specification to the extent specified herein. Unless otherwise specified, latest edition of the specification applies. In the event of conflict between requirements of this specification and product drawing, product drawing shall take precedence.

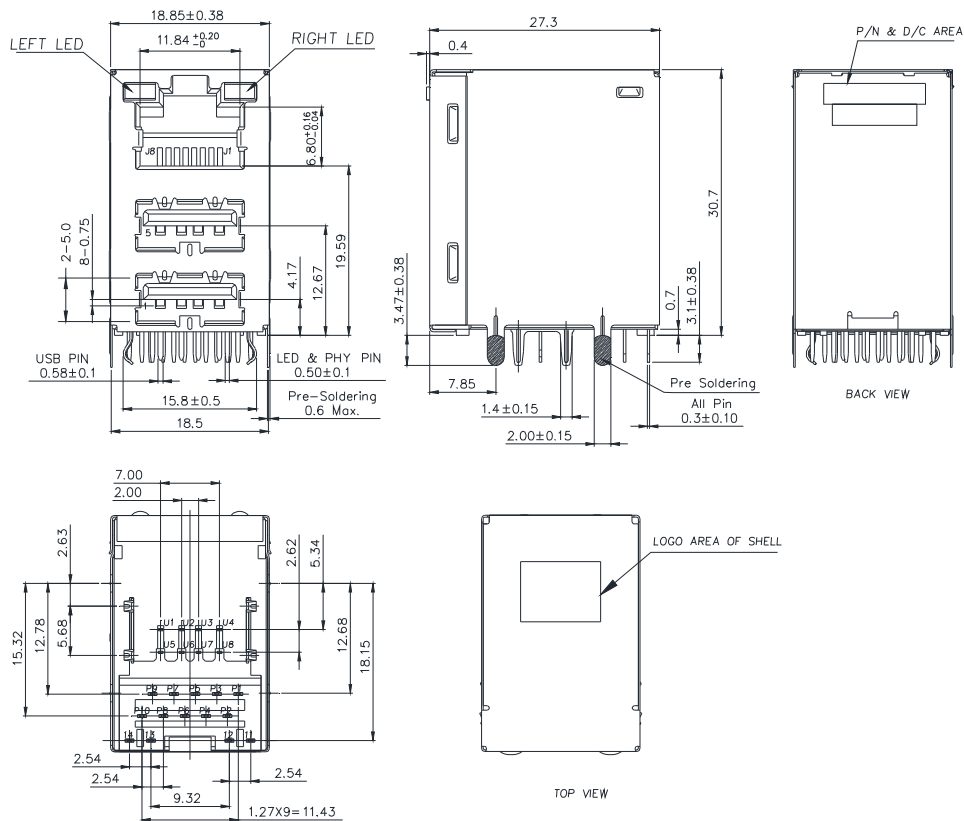
### 2.1 Commercial standards, specifications and report

2.1.1 MIL-STD-1344A

2.1.2 EIA-364

## 3 MECHANIC DIMENSIONS

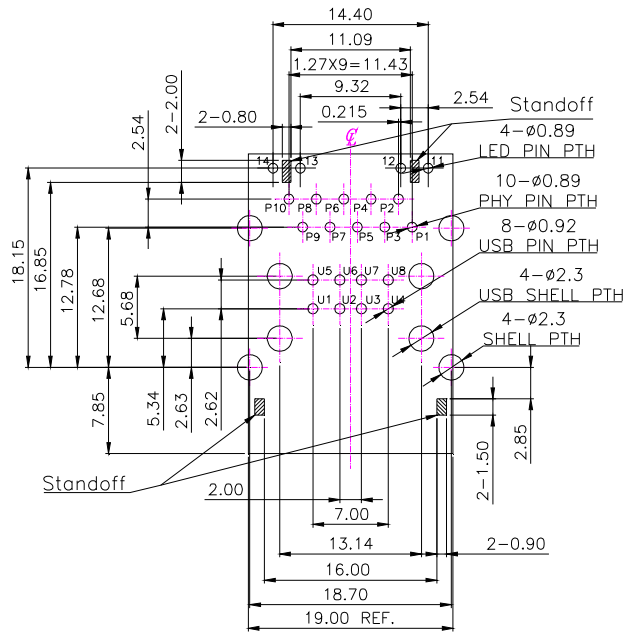
### 3.1 Dimensions



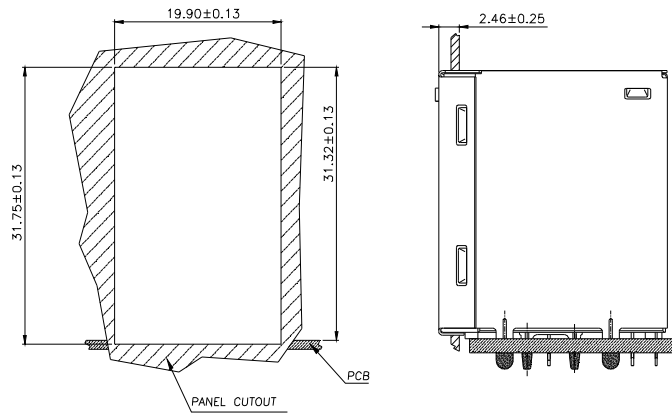
General Tolerance : .X :  $\pm 0.38$

.XX :  $\pm 0.25$

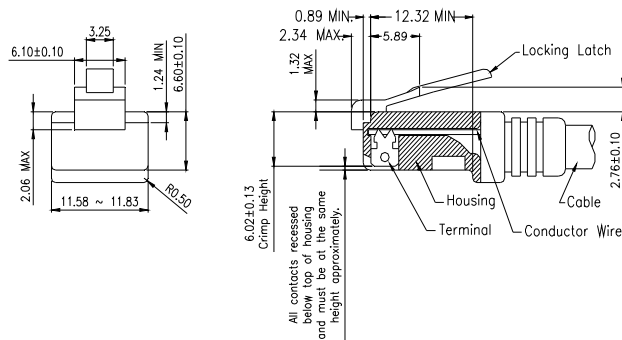
## 3.2 Pin Assignment for PCB Layout



## 3.3 PANEL CUTOUT



## 3.4 Recommend Plug Dim.



All dimensions follow :  
FCC subpart F, 68,500, Figure (C)(2)(i)  
IEC 60603-7

STANDARD MODULAR PLUG ASSEMBLY

## 3.5 USB Pin Define

PIN No.	U1	U2	U3	U4
	U5	U6	U7	U8
Signal name	VBUS	D-	D+	GND

## 4 REQUIREMENTS

### 4.1 Design and Construction

4.1.1 Product shall be of design, construction and physical dimensions specified on applicable product drawing.

### 4.2 Materials and Finish

#### 4.2.1 Contact :

##### 4.2.1.1 RJ Contact : Phosphor Bronze

Finish: ( a ) Contact Area : Gold Flash

( b ) Solder tail Area : 100 $\mu$ " Min Matted Tin.

( c ) Under plating : 50 $\mu$ " Min Nickel over all

##### 4.2.1.2 USB Contact : Phosphor Bronze

Finish : ( a ) Contact Area : Gold Flash

( b ) Solder tail Area: 150 $\mu$ " Min Matted Tin.

( c ) Under plating : 50 $\mu$ " Min Nickel over all

##### 4.2.1.3 RJ Footer: Brass

Finish : 100 $\mu$ " Min Matted Tin on 50 $\mu$ " Min Nickel over all

##### 4.2.1.4 LED Footer: Brass

Finish : 100 $\mu$ " Min Matted Tin on 50 $\mu$ " Min Nickel over all

#### 4.2.2 Plastic Part :

##### 4.2.2.1 Housing, Spacer : Thermoplastic, PBT, Black

Flame Class : UL 94V-0

#### 4.2.3 Shell

##### 4.2.3.1 Front Shell : Stainless Steel

##### 4.2.3.2 Back Shell : Stainless Steel

##### 4.2.3.3 USB Grounding Leg : Metal

Finish : 100 $\mu$ " Tin on 50 $\mu$ " Min Nickel over all

##### 4.2.3.4 Shell of Grounding Pin : pre-soldering Sn

#### 4.2.4 LED Lamp

Emitting color	$\lambda_p$ (nm)	Vf@If= 20mA	Ir@Vr=5V
Green	565	1.7-2.6	10 uA max
Yellow	585	1.7-2.6	10 uA max
Orange	610	1.7-2.6	10 uA max

### 4.3 Operating and Storage Temperature

4.3.1 Operating Temperature : 0°C TO +70°C

4.3.2 Storage Temperature : -40°C TO +85°C

#### 4.4 Ratings

4.4.1 Voltage rating : 125 VAC

4.4.2 Current rating : 1.5 A

#### 4.5 Mechanical Characteristics

4.5.1 Mating force: RJ 20N Max; USB 35N Max.

4.5.2 Unmating force: RJ 20N Max; USB 10N Min.

4.5.3 Durability: RJ 1000 Cycles; USB 1500 Cycles.

#### 4.6 Reliability Test:

4.6.1 Resistance to soldering heat - High Temperature Resistance:

265±5/-0°C, 3-5 seconds for 2 times.

4.6.2 Rework temperature: 350°C Max. 3~5seconds for 3 times.

#### 4.7 Environmental Test:

4.7.1 Moisture Resistance : MSL level-1

4.7.2 Saving life: 1 year

4.7.3 Thermal shock cycle Test: Expose Sample connectors under the temperature changes between -40°C and 85°C for 25 cycles holding for 30minutes at the both extremes, in accordance with test method of SPEC.

4.7.4 Temperature life: Subject Sample connectors to temperature life at 85°C for 168 hours. EIA-364-22B, Class shall be satisfied.

Humidity test: Subject Sample connector, to relative humidity 85%RH and a temperature of 85°C for 168 hours. It shall be subjected to standard atmospheric. Class shall be satisfied. MIL-STD-1344A.method:1002.2.

#### 4.8 Performance and Test Description

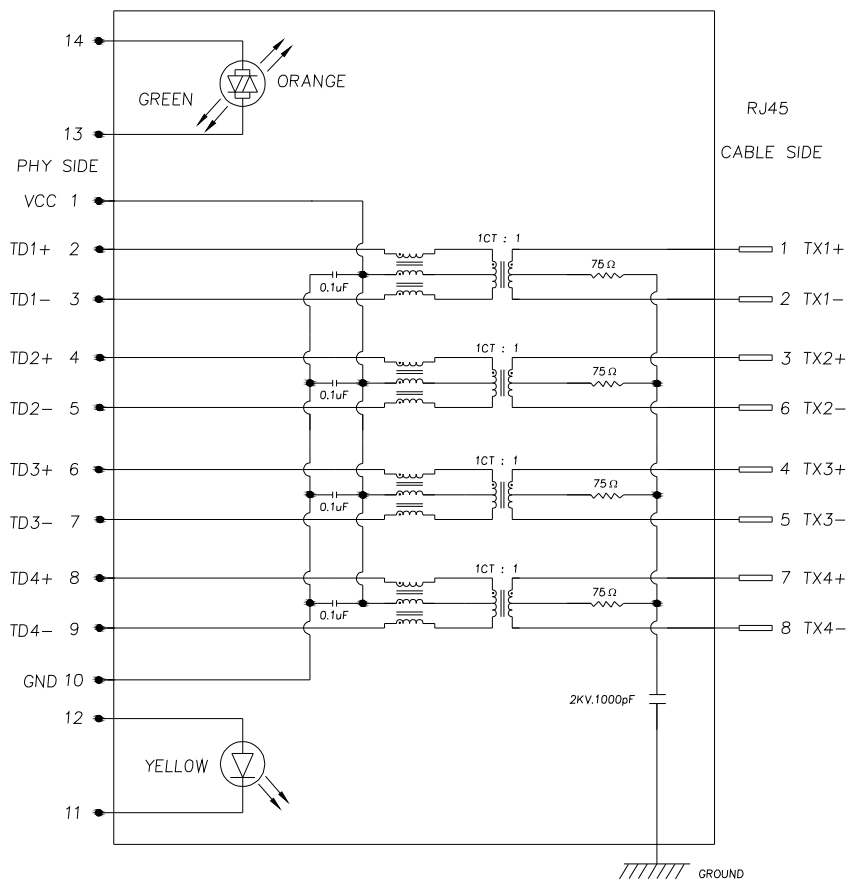
Product is designed to meet electrical, mechanical and environmental performance requirements. All tests are performed at ambient environmental conditions per MIL-STD-1344A and EIA-364 unless otherwise specified.

#### 4.9 Packaging and Packing

All parts shall be packaged and packed to protect against physical damage, corrosion and deterioration during shipment and storage.

## 6. ELECTRICAL CHARACTERISTICS

### 6.1 Schematic



6.2 Insertion loss : 1~100 MHz -1.0dB MAX.

100~125 MHz -1.2dB MAX.

Return loss : 1~30 MHz -18dB MIN. load 100 Ω

30~60 MHz -16dB MIN. load 100 Ω

60~80 MHz -12dB MIN. load 100 Ω

80~100 MHz -10dB MIN. load 100 Ω

6.3 Common Mode Rejection

@ 1~100 MHz -30dB MIN.

6.4 Cross Talk

@ 1~100 MHz -30dB MIN.

6.5 Primary Inductance @ 100KHz, 0.1V, 8mA DC BIAS

P(2-3), P(4-5), P(6-7), P(8-9) : 350μH MIN.

6.6 Hi-Pot TEST

PRIMARY TO SECONDARY: 2250 VDC

## 7. ORDER INFORMATION

R U A 1 J A - K XH 1 - D C 0 - 0 R  
 A B C D E F G H I J

A: W/Shell; Shell Symmetry

B: W/O All Spring & W/USB Port

C: LED Polarity Code

A—LED Positive Polarity

D: LED Color Code

K—Left LED: Green/Orange      Right LED: Yellow

E: Schematic Code

XH—XH Type of the Circuit

F: Contact plating

1—Gold Flash

G: 8P10C      PHY Pin Dim: 3.1mm

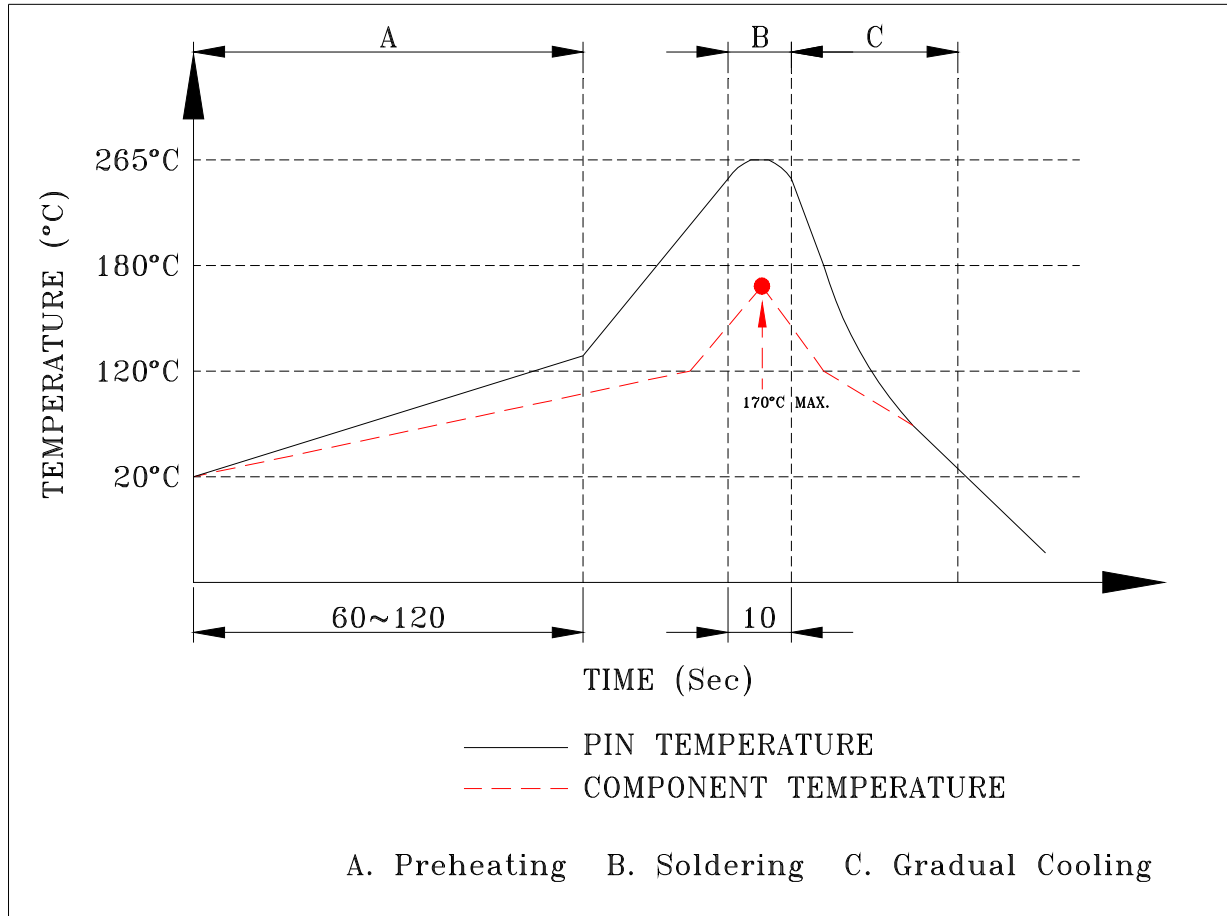
H: Plastic Material: PBT

I: Packing type

0—TRAY

J: RoHS Compliant

## 8. Profile of Wave Solder



### SUGGESTED WAVE SOLDER CURVE

(1) Tip temperature :  $265 \pm 5 / -0^{\circ}\text{C}$

(2) Tip temperature time : 3~5sec



单击下面可查看定价，库存，交付和生命周期等信息

[>>LUXSHARE](#)