	E480232
---	----------------

Features

- AEC-Q101 Qualified
- For Surface Mount Application in Order to Optimize Board Space
- Low Profile Package
- Low Inductance
- Excellent Clamping Capability
- Fast Response Time: Typical Less Than 1.0ps From 0 Volts to V_{BR} Minimum
- For Bidirectional Devices Add "C" To The Suffix of The Part Number: i.e.SMCJ1.5KE12CAHE3 for 5% Tolerance
- Halogen Free. "Green" Device (Note 1)
- Moisture Sensitivity Level 1
- Epoxy Meets UL 94 V-0 Flammability Rating
- Lead Free Finish/RoHS Compliant (Note2) ("P" Suffix Designates RoHS Compliant. See Ordering Information)

Mechanical Data

- Polarity: Color Band Denotes Positive End(cathode) Except Bi-Directional Types
- Maximum Soldering Temperature: 260°C/10 Seconds at Terminals
- Manufacturing Code Added for Better Tracking
- Terminals: Solderable Per MIL-STD-750, Method 2026

Maximum Ratings

- Operating Junction Temperature Range: -55°C to +175°C
- Storage Temperature Range: -55°C to +175°C
- Typical Thermal Resistance: 15°C/W Junction to Lead
- Typical Thermal Resistance: 75°C/W Junction to Ambient

Electrical Characteristics @ 25°C Unless Otherwise Specified

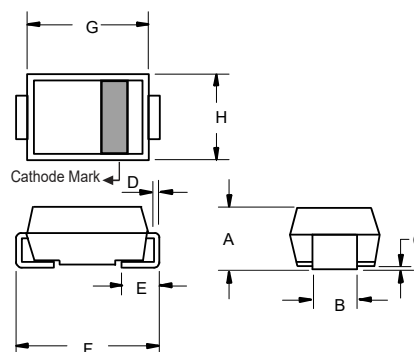
Peak Pulse Power Surge Current on 10/1000µs Waveform	I_{PP}	See the Table	Note 3
Peak Pulse Power Dissipation	P_{PP}	1500W(Min)	Note 3,4

Note: 1. Halogen free "Green" products are defined as those which contain <900ppm bromine, <900ppm chlorine (<1500ppm total Br + Cl) and <1000ppm antimony compounds.

2. High Temperature Solder Exemption Applied, see EU Directive Annex 7a.
3. Non-repetitive current pulse, per Fig.3 and derated above $T_A=25^\circ\text{C}$ per Fig.1.
4. Mounted on 8.0mm² copper pads to each terminal.

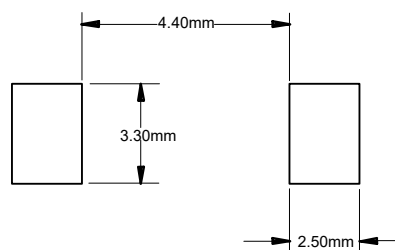
1500 Watt TVS
12 to 220 Volts

SMC (DO-214AB) (LEAD FRAME)



DIM	INCHES		MM		NOTE
	MIN	MAX	MIN	MAX	
A	0.079	0.103	2.00	2.62	
B	0.108	0.128	2.75	3.25	
C	0.002	0.008	0.051	0.203	
D	0.006	0.012	0.152	0.305	
E	0.030	0.060	0.76	1.52	
F	0.305	0.320	7.75	8.13	
G	0.260	0.280	6.60	7.11	
H	0.220	0.245	5.59	6.22	

Suggested Solder Pad Layout



Electrical Characteristics @ 25°C Unless Otherwise Specified

MCC Part Number		Reverse Stand-Off Voltage	Breakdown Voltage $V_{BR}(V)$		Test Current	Max. Clamping Voltage @ I_{PP}	Peak Pulse Current	Reverse Leakage Current @ V_{WM}	Marking Code	
Uni-Polar	Bi-Polar	$V_{WM}(V)$	Min	Max	$I_T(mA)$	$V_C(V)$	$I_{PP}(A)$	$I_D(\mu A)$	UNI	BI
SMCJ1.5KE12AHE3	SMCJ1.5KE12CAHE3	10.20	11.40	12.60	1	16.7	91.0	5	12A	12C
SMCJ1.5KE13AHE3	SMCJ1.5KE13CAHE3	11.10	12.40	13.70	1	18.2	83.5	1	13A	13C
SMCJ1.5KE15AHE3	SMCJ1.5KE15CAHE3	12.80	14.30	15.80	1	21.2	71.7	1	15A	15C
SMCJ1.5KE16AHE3	SMCJ1.5KE16CAHE3	13.60	15.20	16.80	1	22.5	67.6	1	16A	16C
SMCJ1.5KE18AHE3	SMCJ1.5KE18CAHE3	15.30	17.10	18.90	1	25.5	60.3	1	18A	18C
SMCJ1.5KE20AHE3	SMCJ1.5KE20CAHE3	17.10	19.00	21.00	1	27.7	54.9	1	20A	20C
SMCJ1.5KE22AHE3	SMCJ1.5KE22CAHE3	18.80	20.90	23.10	1	30.6	49.7	1	22A	22C
SMCJ1.5KE24AHE3	SMCJ1.5KE24CAHE3	20.50	22.80	25.20	1	33.2	45.8	1	24A	24C
SMCJ1.5KE27AHE3	SMCJ1.5KE27CAHE3	23.10	25.70	28.40	1	37.5	40.5	1	27A	27C
SMCJ1.5KE30AHE3	SMCJ1.5KE30CAHE3	25.60	28.50	31.50	1	41.4	36.7	1	30A	30C
SMCJ1.5KE33AHE3	SMCJ1.5KE33CAHE3	28.20	31.40	34.70	1	45.7	33.3	1	33A	33C
SMCJ1.5KE36AHE3	SMCJ1.5KE36CAHE3	30.80	34.20	37.80	1	49.9	30.5	1	36A	36C
SMCJ1.5KE39AHE3	SMCJ1.5KE39CAHE3	33.30	37.10	41.00	1	53.9	28.2	1	39A	39C
SMCJ1.5KE43AHE3	SMCJ1.5KE43CAHE3	36.80	40.90	45.20	1	59.3	25.6	1	43A	43C
SMCJ1.5KE47AHE3	SMCJ1.5KE47CAHE3	40.20	44.70	49.40	1	64.8	23.5	1	47A	47C
SMCJ1.5KE51AHE3	SMCJ1.5KE51CAHE3	43.60	48.50	53.60	1	70.1	21.7	1	51A	51C
SMCJ1.5KE56AHE3	SMCJ1.5KE56CAHE3	47.80	53.20	58.80	1	77.0	19.7	1	56A	56C
SMCJ1.5KE62AHE3	SMCJ1.5KE62CAHE3	53.00	58.90	65.10	1	85.0	17.9	1	62A	62C
SMCJ1.5KE68AHE3	SMCJ1.5KE68CAHE3	58.10	64.60	71.40	1	92.0	16.5	1	68A	68C
SMCJ1.5KE75AHE3	SMCJ1.5KE75CAHE3	64.10	71.30	78.80	1	103.0	14.8	1	75A	75C
SMCJ1.5KE82AHE3	SMCJ1.5KE82CAHE3	70.10	77.90	86.10	1	113.0	13.5	1	82A	82C
SMCJ1.5KE91AHE3	SMCJ1.5KE91CAHE3	77.80	86.50	95.50	1	125.0	12.2	1	91A	91C
SMCJ1.5KE100AHE3	SMCJ1.5KE100CAHE3	85.50	95.00	105.00	1	137.0	11.0	1	100A	100C
SMCJ1.5KE110AHE3	SMCJ1.5KE110CAHE3	94.0	104.50	115.50	1	152.0	9.9	1	110A	110C
SMCJ1.5KE120AHE3	SMCJ1.5KE120CAHE3	102.0	114.00	126.00	1	165.0	9.1	1	120A	120C
SMCJ1.5KE130AHE3	SMCJ1.5KE130CAHE3	111.0	123.50	136.50	1	179.0	8.4	1	130A	130C
SMCJ1.5KE150AHE3	SMCJ1.5KE150CAHE3	128.0	142.50	157.50	1	207.0	7.3	1	150A	150C
SMCJ1.5KE160AHE3	SMCJ1.5KE160CAHE3	136.0	152.00	168.00	1	219.0	6.9	5	160A	160C
SMCJ1.5KE170AHE3	SMCJ1.5KE170CAHE3	145.0	161.50	178.50	1	234.0	6.4	5	170A	170C
SMCJ1.5KE180AHE3	SMCJ1.5KE180CAHE3	154.0	171.00	189.00	1	246.0	6.1	5	180A	180C
SMCJ1.5KE200AHE3	SMCJ1.5KE200CAHE3	171.0	190.00	210.00	1	274.0	5.5	5	200A	200C
SMCJ1.5KE220AHE3	SMCJ1.5KE220CAHE3	185.0	209.00	231.00	1	328.0	4.6	5	220A	220C

For bi-directional type having V_{WM} of 10 volts and less, the I_R limit is double.
 The available parts are "A" type only, the parts without A (V_{BR} is $\pm 10\%$) is not available.

Curve Characteristics

Fig. 1 - Peak Pulse Power Rating Curve

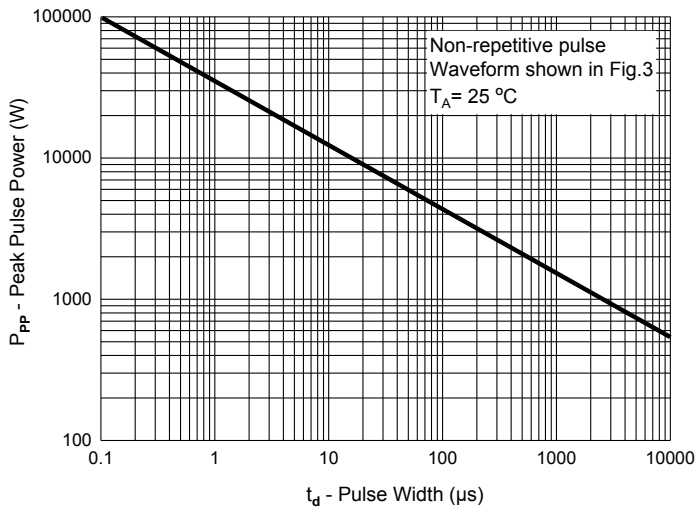


Fig. 2 - Typical Junction Capacitance

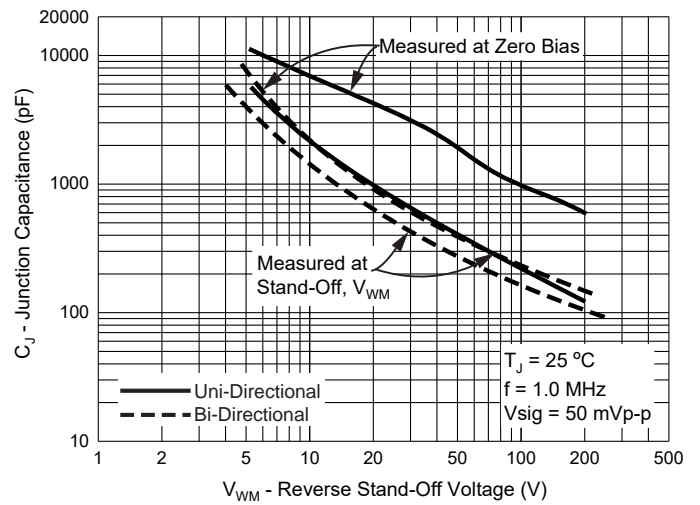


Fig. 3 - Pulse Waveform

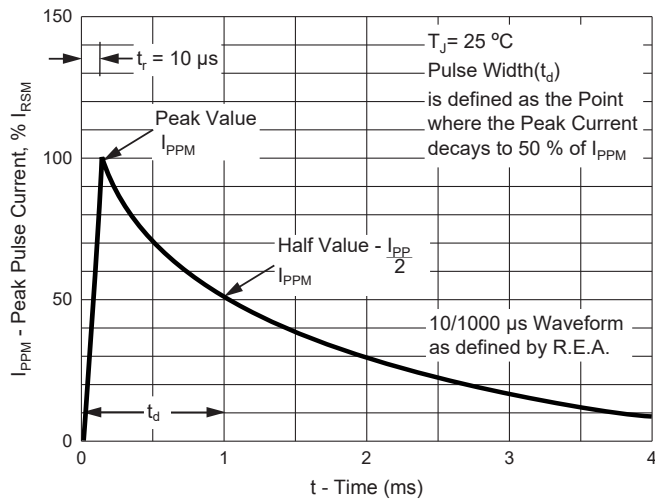
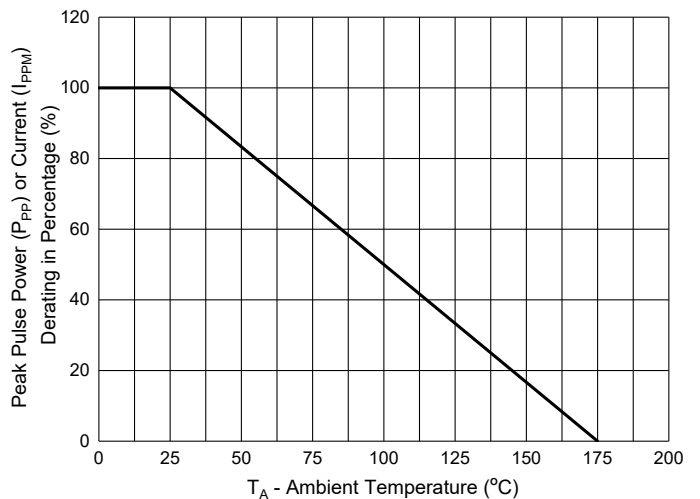


Fig. 4 - Pulse Derating Curve



Ordering Information

Device	Packing
Part Number-TP	Tape&Reel:3Kpcs/Reel

IMPORTANT NOTICE

Micro Commercial Components Corp. reserves the right to make changes without further notice to any product herein to make corrections, modifications , enhancements , improvements , or other changes . **Micro Commercial Components Corp.** does not assume any liability arising out of the application or use of any product described herein; neither does it convey any license under its patent rights ,nor the rights of others . The user of products in such applications shall assume all risks of such use and will agree to hold **Micro Commercial Components Corp.** and all the companies whose products are represented on our website, harmless against all damages. **Micro Commercial Components Corp.** products are sold subject to the general terms and conditions of commercial sale, as published at <https://www.mccsemi.com/Home/TermsAndConditions>.

LIFE SUPPORT

MCC's products are not authorized for use as critical components in life support devices or systems without the express written approval of Micro Commercial Components Corporation.

CUSTOMER AWARENESS

Counterfeiting of semiconductor parts is a growing problem in the industry. Micro Commercial Components (MCC) is taking strong measures to protect ourselves and our customers from the proliferation of counterfeit parts. MCC strongly encourages customers to purchase MCC parts either directly from MCC or from Authorized MCC Distributors who are listed by country on our web page cited below. Products customers buy either from MCC directly or from Authorized MCC Distributors are genuine parts, have full traceability, meet MCC's quality standards for handling and storage. **MCC will not provide any warranty coverage or other assistance for parts bought from Unauthorized Sources.** MCC is committed to combat this global problem and encourage our customers to do their part in stopping this practice by buying direct or from authorized distributors.

单击下面可查看定价，库存，交付和生命周期等信息

[>>MCC\(美微科\)](#)