

Features

- International standard package
- High Surge Capability
- Simple Mounting
- Lead Free Finish/RoHS Compliant(Note 1) ("P" Suffix Designates RoHS Compliant. See Ordering Information)

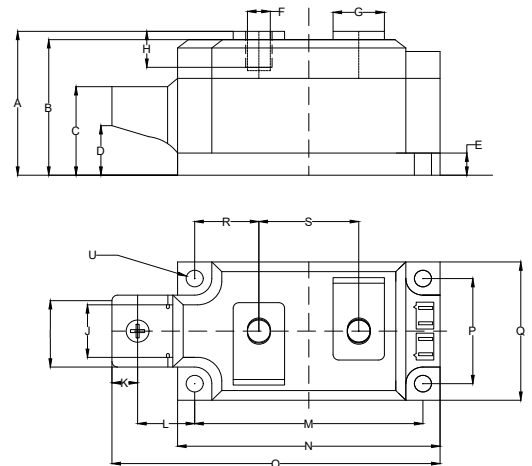
Applications

- Power Converters
- Lighting Control
- DC Motor Control and Drives
- Heat and temperature control



**250 Amp
Thyristor Modules
1600 Volts**

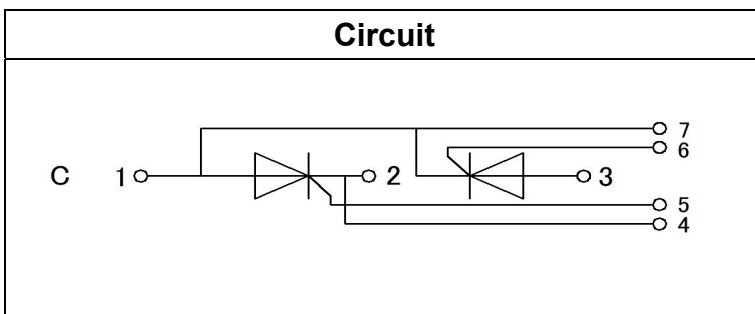
T3



DIMENSIONS

DIM	INCHES		MM		NOTE
	MIN	MAX	MIN	MAX	
A	2.028	2.067	51.50	52.50	
B	1.909	1.949	48.50	49.50	
C	1.240	1.280	31.50	32.50	
D	0.685	0.724	17.40	18.40	
E	0.295	0.335	7.50	8.50	
F	0.295	0.335	7.50	8.50	
G	0.689	0.728	17.50	18.50	
H	0.492	0.531	12.50	13.50	
I	1.004	1.043	25.50	26.50	
J	0.728	0.768	18.50	19.50	
K	0.335	0.374	8.50	9.50	
L	0.768	0.807	19.50	20.50	
M	3.130	3.169	79.50	80.50	
N	3.602	3.642	91.50	92.50	
O	4.508	4.547	114.50	115.50	
P	1.476	1.516	37.50	38.50	
Q	1.949	1.988	49.50	50.50	
R	0.866	0.906	22.00	23.00	
S	1.358	1.398	34.50	35.50	
T	0.236		6.00		∅

Circuit



Note:1. High Temperature Solder Exemptions Applied, see EU Directive Annex Notes 7a.

Module Type

TYPE	VRRM	VRSM
MT250C16T3W	1600V	1800V

Maximum Ratings

Symbol	Conditions	Values	Units
I_{TAV}	Sine 180°; $T_c=85^\circ\text{C}$	250	A
I_{TSM}	$T_{VJ}=125^\circ\text{C}$ $t=10\text{ms}$, sine	9000	A
i^2t	$T_{VJ}=125^\circ\text{C}$ $t=10\text{ms}$, sine	405000	A^2s
Visol	a.c.50HZ;r.m.s.;1min, $I_{iso}:2\text{mA}(\text{MAX})$	2500	V
T_{vj}		-40 to 125	$^\circ\text{C}$
T_{stg}		-40 to 125	$^\circ\text{C}$
M_t	To terminals(M8)	$12\pm 15\%$	Nm
M_s	To heatsink(M6)	$6\pm 15\%$	Nm
di/dt	$T_{VJ}=T_{VJM}$, $V_{DM}=2/3V_{DRM}$	100	A/us
dv/dt	$T_J=T_{VJM}$, $2/3V_{DRM}$, linear voltage rise	1000	V/us
Weight	Module(Approximately)	690	g

Thermal Characteristics

Symbol	Conditions	Values	Units
$R_{th(j-c)}$	per chip	0.12	$^\circ\text{C}/\text{W}$
$R_{th(c-h)}$	per module	0.04	$^\circ\text{C}/\text{W}$

Electrical Characteristics

Symbol	Conditions	Values			Units
		Min.	Typ.	Max.	
V_{TM}	$T=25^\circ\text{C}$ $I_{TM}=750\text{A}$			1.55	V
I_{RRM}/I_{DRM}	$T_{VJ}=T_{VJM}$, $V_R=V_{RRM}$, $V_D=V_{DRM}$			25	mA
V_{GT}	$T_{VJ}=25^\circ\text{C}$, $V_D=12\text{V}$, $R_G=3\ \Omega$	0.8		2.5	V
I_{GT}	$T_{VJ}=25^\circ\text{C}$, $V_D=12\text{V}$, $R_G=3\ \Omega$	30		150	mA
I_L	$T_{VJ}=25^\circ\text{C}$, $V_D=12\text{V}$, $R_G=3\ \Omega$			1000	mA
I_H	$T_{VJ}=25^\circ\text{C}$, $V_D=12\text{V}$, $R_G=3\ \Omega$	20		150	mA

Performance Curves

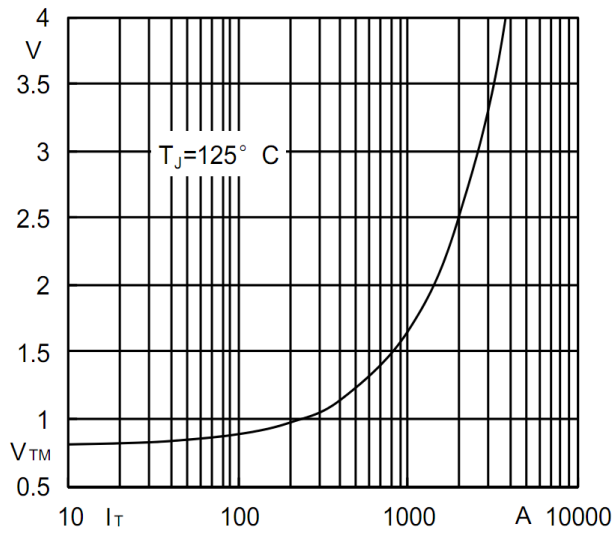


Fig1. Peak On-state Voltage Vs Peak On-state

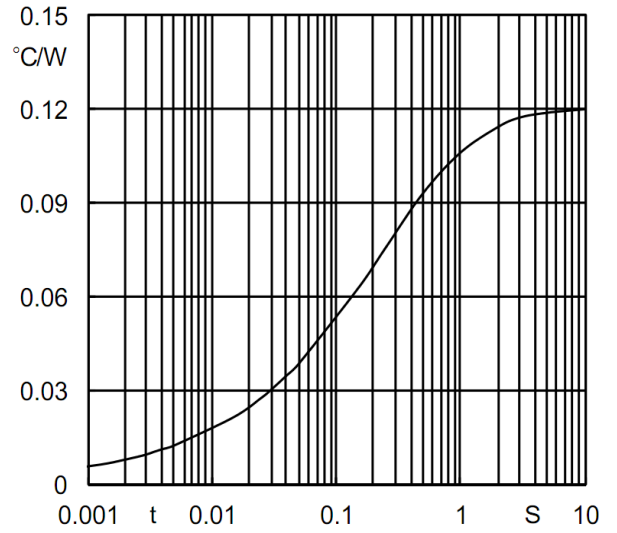


Fig2. Max. junction To case Thermal Impedance Vs Time

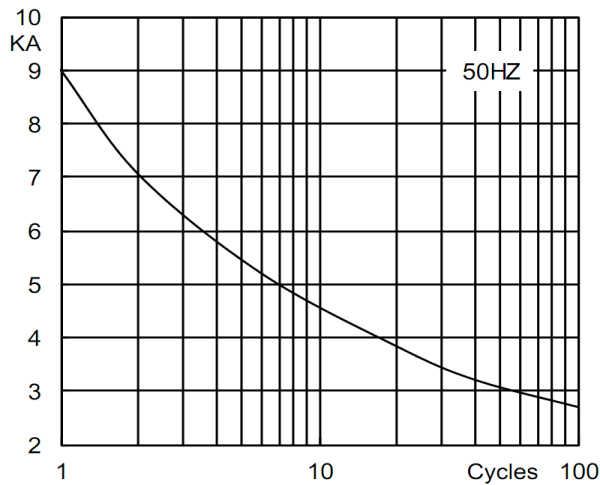


Fig3. Surge Current Vs Cycles

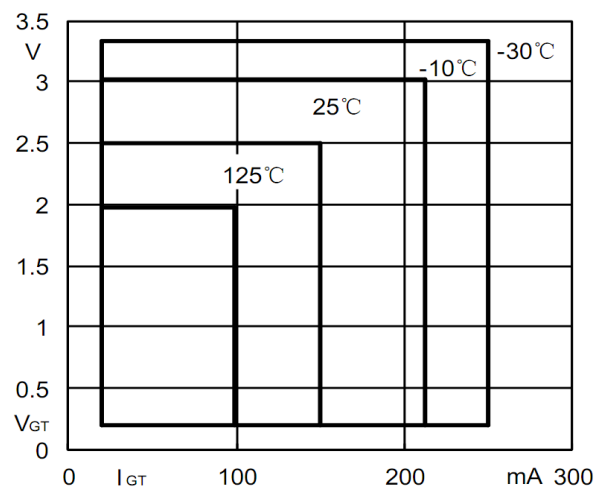


Fig4. Gate Trigger Zone at varies temperature

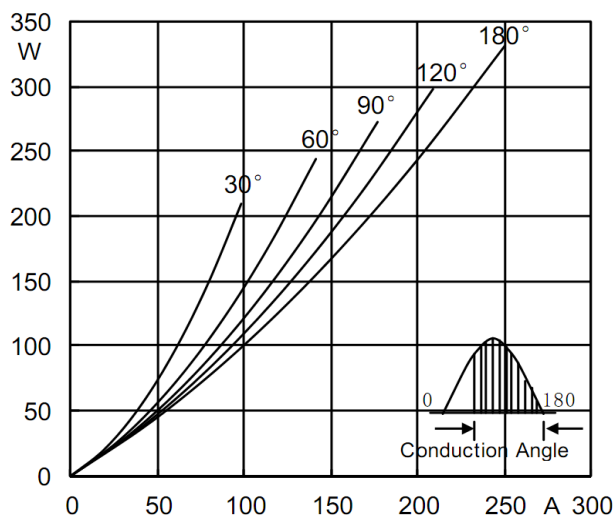


Fig5. Max. Power Dissipation Vs Mean On-state Current

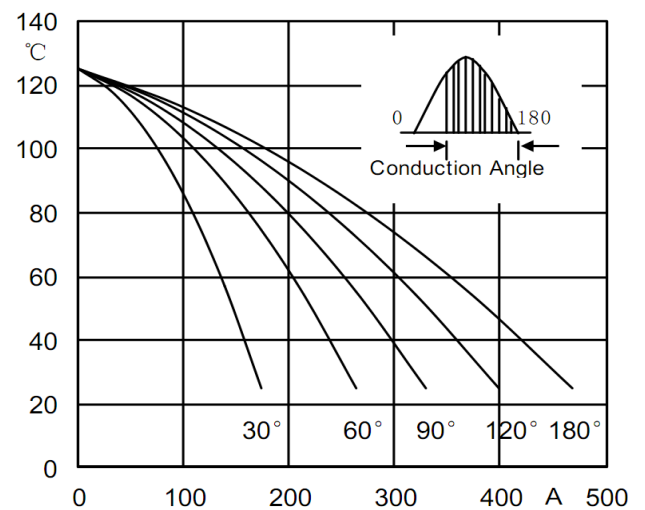


Fig6. Max case Temperature Vs Mean On-state Current

Ordering Information

Device	Packing
Part Number-BP	Bulk: 1PCS/BOX ;16PCS/CTN

IMPORTANT NOTICE

Micro Commercial Components Corp. reserves the right to make changes without further notice to any product herein to make corrections, modifications , enhancements , improvements , or other changes . **Micro Commercial Components Corp** . does not assume any liability arising out of the application or use of any product described herein; neither does it convey any license under its patent rights ,nor the rights of others . The user of products in such applications shall assume all risks of such use and will agree to hold **Micro Commercial Components Corp** . and all the companies whose products are represented on our website, harmless against all damages. **Micro Commercial Components Corp.** products are sold subject to the general terms and conditions of commercial sale, as published at <https://www.mccsemi.com/Home/TermsAndConditions>.

LIFE SUPPORT

MCC's products are not authorized for use as critical components in life support devices or systems without the express written approval of Micro Commercial Components Corporation.

CUSTOMER AWARENESS

Counterfeiting of semiconductor parts is a growing problem in the industry. Micro Commercial Components (MCC) is taking strong measures to protect ourselves and our customers from the proliferation of counterfeit parts. MCC strongly encourages customers to purchase MCC parts either directly from MCC or from Authorized MCC Distributors who are listed by country on our web page cited below. Products customers buy either from MCC directly or from Authorized MCC Distributors are genuine parts, have full traceability, meet MCC's quality standards for handling and storage. **MCC will not provide any warranty coverage or other assistance for parts bought from Unauthorized Sources.** MCC is committed to combat this global problem and encourage our customers to do their part in stopping this practice by buying direct or from authorized distributors.

单击下面可查看定价，库存，交付和生命周期等信息

[>>MCC\(美微科\)](#)