

**Features**

- AEC-Q101 Qualified
- Meet ISO 7637-2 5a/5b and ISO 16750 Load Dump Test (Varied by Test Condition)
- Low Leakage Current
- Glass Passivated Junction
- Excellent Clamping Capability
- Bi-directional Polarity
- Epoxy Meets UL 94 V-0 Flammability Rating
- Lead Free Finish/RoHS Compliant (Note1) ("P" Suffix Designates RoHS Compliant. See Ordering Information)

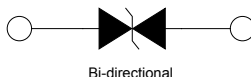
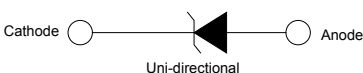
**Maximum Ratings**

- Operating Junction Temperature Range: -55°C to +175°C
- Storage Temperature Range: -55°C to +175°C

Peak Pulse Power Surge Current with a 10/1000µs Waveform	$I_{PPM}$	See the Table	Note 2
Peak Pulse Power Dissipation with a 10/1000µs Waveform	$P_{PPM}$	6600W	
Peak Pulse Power Dissipation with a 10/10000µs Waveform	$P_{PPM}$	5200W	
Peak forward surge current	$I_{FSM}$	700A	8.3 ms single half sine-wave
Power Dissipation On Infinite Heatsink	$P_D$	8.0W	$T_L=25^\circ\text{C}$

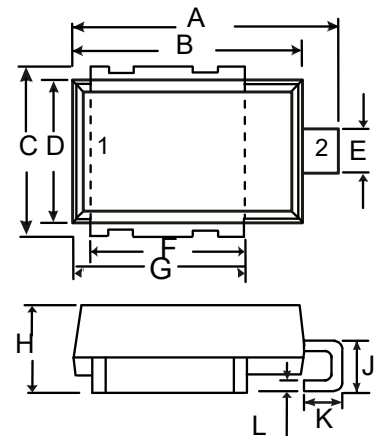
Note: 1. High Temperature Solder Exemptions Applied, see EU Directive Annex 7a.  
2. Non-repetitive current pulse, per Fig.2 and derated above  $T_A=25^\circ\text{C}$  per Fig.3

Pin Configuration:



**6600 Watt  
TVS  
10 to 43 Volts**

DO-218AB



DIM	INCHES		MM		NOTE
	MIN	MAX	MIN	MAX	
A	0.590	0.630	15.00	16.00	
B	0.524	0.539	13.30	13.70	
C	0.374	0.413	9.50	10.50	
D	0.323	0.339	8.20	8.70	
E	0.091	0.114	2.30	3.00	
F	0.343	0.366	8.70	9.50	
G	0.382	0.406	9.70	10.50	
H	0.189	0.205	4.70	5.20	
J	0.098	0.138	2.50	3.50	
K	0.067	0.106	1.70	2.80	
L	0.020	0.028	0.50	0.70	

**Electrical Characteristics @ 25°C Unless Otherwise Specified**

MCC Part Number		Breakdown Voltage $V_{BR}$ @ $I_T$			Maximum Reverse Leakage $I_R$	Maximum $I_R$ @ $V_{RWM}$ $T_J=175$	Working Peak Reverse Voltage $V_{RWM}$	Maximum Reverse Surge Current IPP	Maximum Clamping Voltage
Uni-directional	Bi-directional	Min (V)	Max (V)	$I_T$ (mA)	@ $V_{RWM}$ ( $\mu A$ )	( $\mu A$ )	(V)	(A) <sup>(1)</sup>	$V_C$ @ $I_{PP}$ (V)
SM8S10AHE3		11.10	12.30	5	15	250	10	388.0	17.0
SM8S11AHE3		12.20	13.50	5	10	150	11	363.0	18.2
SM8S12AHE3		13.30	14.70	5	10	150	12	332.0	19.9
SM8S13AHE3		14.40	15.90	5	10	150	13	307.0	21.5
SM8S14AHE3	SM8S14CAHE3	15.60	17.20	5	10	150	14	284.0	23.2
SM8S15AHE3	SM8S15CAHE3	16.70	18.50	5	10	150	15	270.0	24.4
SM8S16AHE3	SM8S16CAHE3	17.80	19.70	5	10	150	16	254.0	26.0
SM8S17AHE3	SM8S17CAHE3	18.90	20.90	5	10	150	17	239.0	27.6
SM8S18AHE3	SM8S18CAHE3	20.00	22.10	5	10	150	18	226.0	29.2
SM8S20AHE3	SM8S20CAHE3	22.20	24.50	5	10	150	20	204.0	32.4
SM8S22AHE3	SM8S22CAHE3	24.40	26.90	5	10	150	22	186.0	35.5
SM8S24AHE3	SM8S24CAHE3	26.70	29.50	5	10	150	24	170.0	38.9
SM8S26AHE3	SM8S26CAHE3	28.90	31.90	5	10	150	26	157.0	42.1
SM8S28AHE3	SM8S28CAHE3	31.10	34.40	5	10	150	28	145.0	45.4
SM8S30AHE3	SM8S30CAHE3	33.30	36.80	5	10	150	30	136.0	48.4
SM8S33AHE3	SM8S33CAHE3	36.70	40.60	5	10	150	33	124.0	53.3
SM8S36AHE3	SM8S36CAHE3	40.00	44.20	5	10	150	36	114.0	58.1
SM8S40AHE3	SM8S40CAHE3	44.40	49.10	5	10	150	40	102.0	64.5
SM8S43AHE3	SM8S43CAHE3	47.80	52.80	5	10	150	43	95.1	69.4

Note: 1.Surge current waveform is defined at 10/1000us waveform

Curve Characteristics

Fig. 1 - Peak Pulse Power Rating Curve

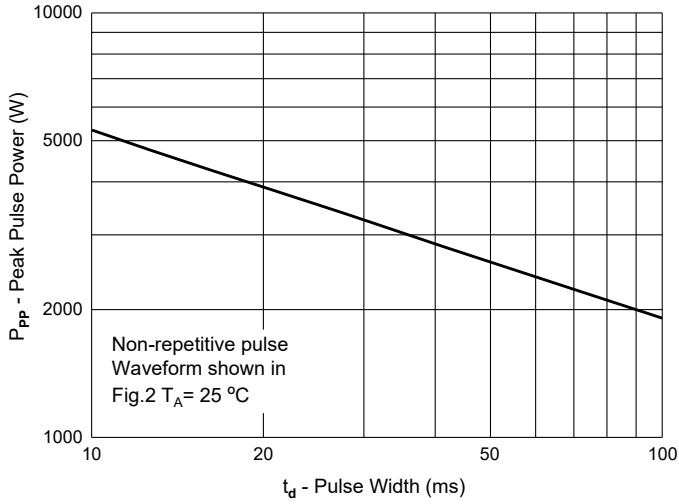


Fig. 2 - Pulse Waveform

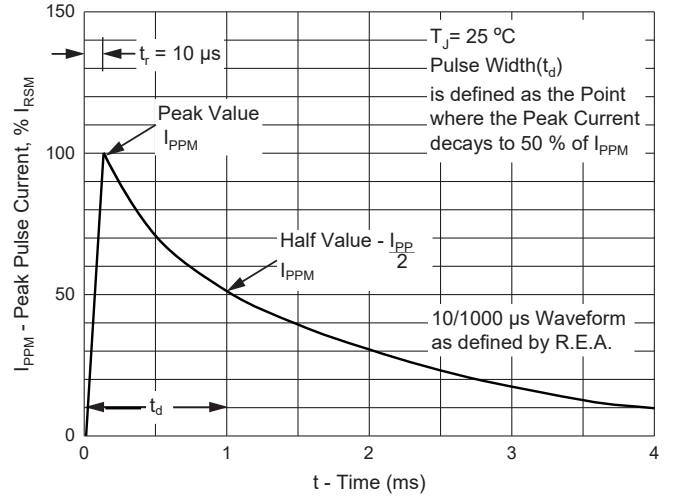
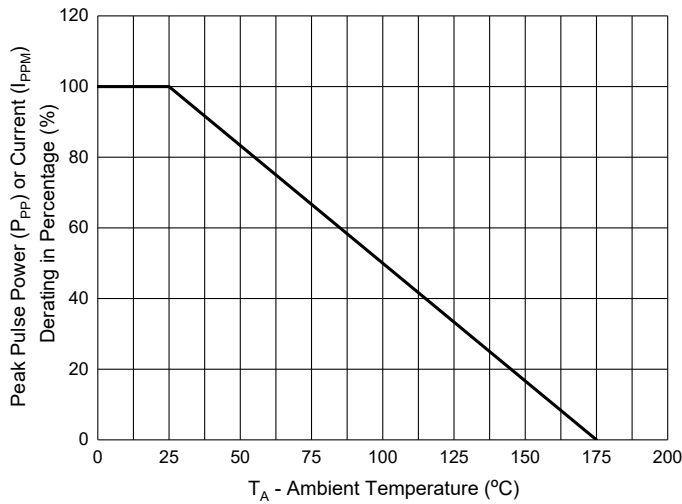


Fig. 3 - Pulse Derating Curve



## Ordering Information

Device	Packing
Part Number-TP	Tape&Reel:750pcs/Reel

### \*\*\*IMPORTANT NOTICE\*\*\*

**Micro Commercial Components Corp.** reserves the right to make changes without further notice to any product herein to make corrections, modifications , enhancements , improvements , or other changes . **Micro Commercial Components Corp.** does not assume any liability arising out of the application or use of any product described herein; neither does it convey any license under its patent rights ,nor the rights of others . The user of products in such applications shall assume all risks of such use and will agree to hold **Micro Commercial Components Corp.** and all the companies whose products are represented on our website, harmless against all damages. **Micro Commercial Components Corp.** products are sold subject to the general terms and conditions of commercial sale, as published at <https://www.mccsemi.com/Home/TermsAndConditions>.

### \*\*\*LIFE SUPPORT\*\*\*

MCC's products are not authorized for use as critical components in life support devices or systems without the express written approval of Micro Commercial Components Corporation.

### \*\*\*CUSTOMER AWARENESS\*\*\*

Counterfeiting of semiconductor parts is a growing problem in the industry. Micro Commercial Components (MCC) is taking strong measures to protect ourselves and our customers from the proliferation of counterfeit parts. MCC strongly encourages customers to purchase MCC parts either directly from MCC or from Authorized MCC Distributors who are listed by country on our web page cited below. Products customers buy either from MCC directly or from Authorized MCC Distributors are genuine parts, have full traceability, meet MCC's quality standards for handling and storage. **MCC will not provide any warranty coverage or other assistance for parts bought from Unauthorized Sources.** MCC is committed to combat this global problem and encourage our customers to do their part in stopping this practice by buying direct or from authorized distributors.

单击下面可查看定价，库存，交付和生命周期等信息

[>>MCC\(美微科\)](#)