



SOD1F1 THRU SOD1F7

Reverse Voltage - 50 to 1000 Volts Forward Current - 1.0 Ampere

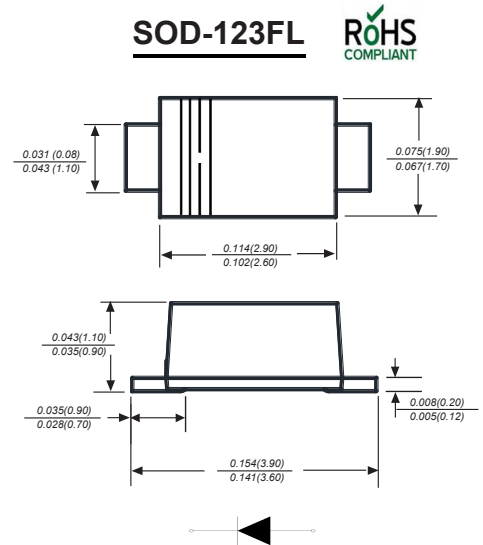
SURFACE MOUNT GENERAL PURPOSE SILICON RECTIFIER

Features

- ◆ Glass passivated device
- ◆ Ideal for surface mounted applications
- ◆ Low reverse leakage
- ◆ Metallurgically bonded construction
- ◆ High temperature soldering guaranteed:
250°C/10 seconds, 0.375" (9.5mm) lead length,
5 lbs. (2.3kg) tension

Mechanical Data

Case: JEDEC UOD-123FL molded plastic body
 Terminals: Solderable per MIL-STD-750, Method 2026A
 Polarity: Polarity symbol marking on body
 Mounting Position: Any
 Weight: 0.0067 ounce, 0.02 grams



Maximum Ratings And Electrical Characteristics

Ratings at 25°C ambient temperature unless otherwise specified.

Single phase half-wave 60Hz, resistive or inductive load, for capacitive load current derate by 20%.

| Parameter | SYMBOLS | SOD1F1 | SOD1F2 | SOD1F3 | SOD1F4 | SOD1F5 | SOD1F6 | SOD1F7 | UNITS |
|--|-----------------|-------------|-----------|-----------|-----------|-----------|-----------|-----------|-------|
| Marking Code | | MDD F1 | MDD F2 | MDD F3 | MDD F4 | MDD F5 | MDD F6 | MDD F7 | |
| Maximum repetitive peak reverse voltage | V_{RMM} | 50 | 100 | 200 | 400 | 600 | 800 | 1000 | V |
| Maximum RMS voltage | V_{RMS} | 35 | 70 | 140 | 280 | 420 | 560 | 700 | V |
| Maximum DC blocking voltage | V_{DC} | 50 | 100 | 200 | 400 | 600 | 800 | 1000 | V |
| Maximum average forward rectified current at TL (see fig. 1) | $I_{(AV)}$ | 1.0 | | | | | | | A |
| Peak forward surge current 8.3ms single half sine-wave superimposed on rated load (JEDEC Method) | I_{FSM} | 30 | | | | | | | A |
| Maximum instantaneous forward voltage at 1.0A | V_F | 1.3 | | | | | | | V |
| Maximum DC reverse current TA=25°C at rated DC blocking voltage TA=125°C | I_R | 5 100 | | | | | | | mA |
| Typical junction capacitance (NOTE 1) | C_J | 15 | | | | | | | pF |
| Maximum Reverse Recovery Time | t_{rr} | 150 | | | | 250 | 500 | | ns |
| Typical thermal resistance (NOTE 2) | $R_{\theta JA}$ | 85.0 | | | | | | | °C/W |
| Operating junction temperature range | T_J | -55 to +125 | | | | | | | °C |
| Storage temperature range | T_{STG} | -55 to +150 | | | | | | | °C |

Note: 1. Measured at 1.0MHz and applied reverse voltage of 4.0V D.C.
 2. P.C.B. mounted with 2.0" X 2.0" (5 X 5 cm) copper pad areas.
 3. The typical data above is for reference only.



SOD1F1 THRU SOD1F7

Reverse Voltage - 50 to 1000 Volts Forward Current - 1.0 Ampere

Typical Characteristics

Fig.1 Forward Current Derating Curve

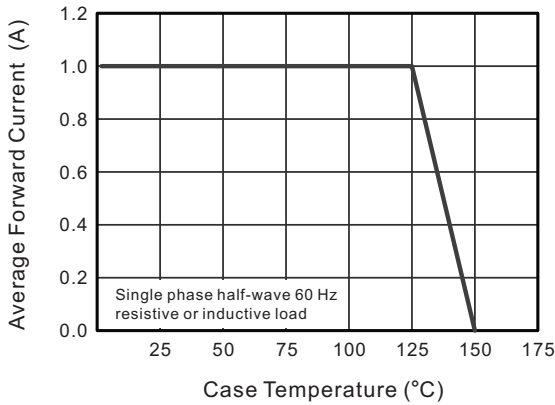


Fig.2 Typical Reverse Characteristics

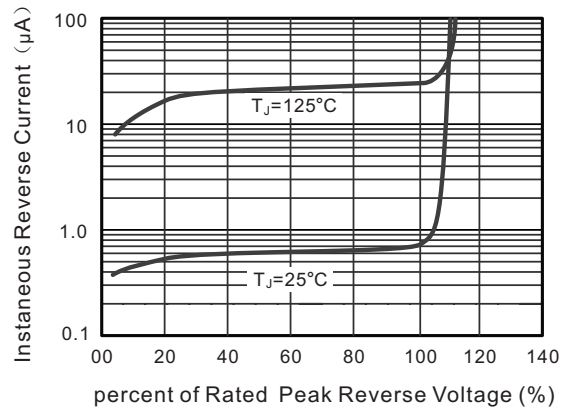


Fig.3 Typical Instantaneous Forward Characteristics

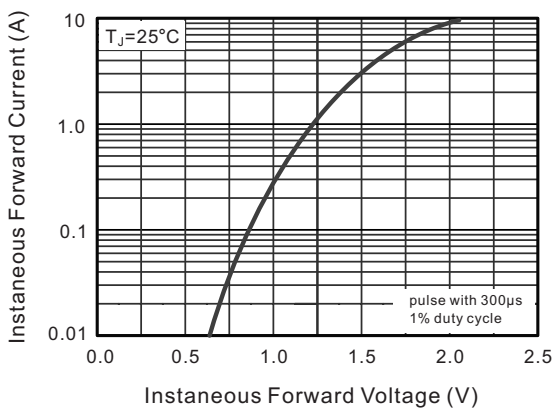


Fig.4 Typical Junction Capacitance

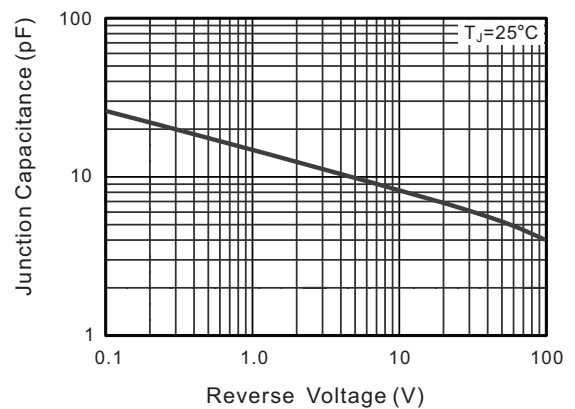
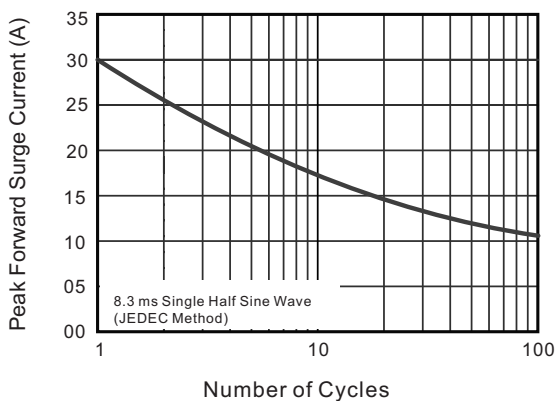


Fig.5 Maximum Non-Repetitive Peak Forward Surge Current



The curve above is for reference only.



SOD1F1 THRU SOD1F7

Reverse Voltage - 50 to 1000 Volts Forward Current - 1.0 Ampere

Packing information



unit:mm

| Item | Symbol | Tolerance | SOD-123FL |
|--------------------------|----------------|-----------|-----------|
| Carrier width | A | 0.1 | 2.1 |
| Carrier length | B | 0.1 | 4.0 |
| Carrier depth | C | 0.1 | 1.60 |
| Sprocket hole | d | 0.05 | 1.55 |
| 7" Reel outside diameter | D | 2.0 | 178.00 |
| 7" Reel inner diameter | D ₁ | min | 50.0 |
| Feed hole diameter | D ₂ | 0.5 | 13.00 |
| Sprocket hole position | E | 0.1 | 1.75 |
| Punch hole position | F | 0.1 | 3.50 |
| Punch hole pitch | P | 0.1 | 4.00 |
| Sprocket hole pitch | P ₀ | 0.1 | 4.00 |
| Embossment center | P ₁ | 0.1 | 2.00 |
| Overall tape thickness | T | 0.1 | 0.25 |
| Tape width | W | 0.3 | 8.15 |
| Reel width | W ₁ | 1.0 | 10.5 |

Note: Devices are packed in accordance with EIA standard RS-481-A and specifications listed above.

Reel packing

| PACKAGE | REEL SIZE | REEL (pcs) | COMPONENT SPACING (m/m) | BOX (pcs) | INNER BOX (m/m) | REEL DIA, (m/m) | CARTON SIZE (m/m) | CARTON (pcs) | APPROX. GROSS WEIGHT (kg) |
|-----------|-----------|------------|-------------------------|-----------|-----------------|-----------------|-------------------|--------------|---------------------------|
| SOD-123FL | 7" | 3,000 | 4.0 | 45,000 | 210*208*203 | 178 | 430*430*235 | 180,000 | 9.0 |

Suggested Pad Layout



| Symbol | Unit (mm) | Unit (inch) |
|--------|-----------|-------------|
| A | 1.2 | 0.047 |
| B | 1.2 | 0.047 |
| C | 3.2 | 0.126 |
| D | 2 | 0.079 |
| E | 4.4 | 0.173 |

Important Notice and Disclaimer

Microdiode Electronics (Jiangsu) reserves the right to make changes to this document and its products and specifications at any time without notice. Customers should obtain and confirm the latest product information and specifications before final design, purchase or use.

Microdiode Electronics (Jiangsu) makes no warranty, representation or guarantee regarding the suitability of its products for any particular purpose, nor does Microdiode Electronics (Jiangsu) assume any liability for application assistance or customer product design. Microdiode Electronics (Jiangsu) does not warrant or accept any liability with products which are purchased or used for any unintended or unauthorized application.

No license is granted by implication or otherwise under any intellectual property rights of Microdiode Electronics (Jiangsu).

Microdiode Electronics (Jiangsu) products are not authorized for use as critical components in life support devices or systems without express written approval of Microdiode Electronics (Jiangsu).

单击下面可查看定价，库存，交付和生命周期等信息

[>>MDD\(辰达行\)](#)