

10GbE SFP+ MMF Optical Transceiver

MFM1T02A-SR

The Mellanox® MFM1T02A-SR is a pluggable, SFP+ optical transceiver, designed for use in 10GbE Ethernet systems. The transceiver operates over multi-mode (MMF) fiber, using a nominal wavelength of 850nm, and is SFF-8083 compliant.

MFM1T02A-SR has an IEEE 802.3ae compliant standard SFP+ interface on the electrical side towards the host system. The optical interface is composed of two optical channels/fibers, intended for connection of an MMF cable via a standard LC connectors.

Rigorous production testing ensures the best out-of-the-box installation experience, performance, and durability.

Table 1 - Absolute Maximum Ratings

Parameter	Minimum	Maximum	Units
Supply voltage	-0.3	4.0	V
Data input voltage, Vcc	-0.3	Vcc+0.3	V
Control input voltage	-0.3	Vcc+0.3	V
Storage temperature	-40	85	°C

Table 2 - Operational Specifications

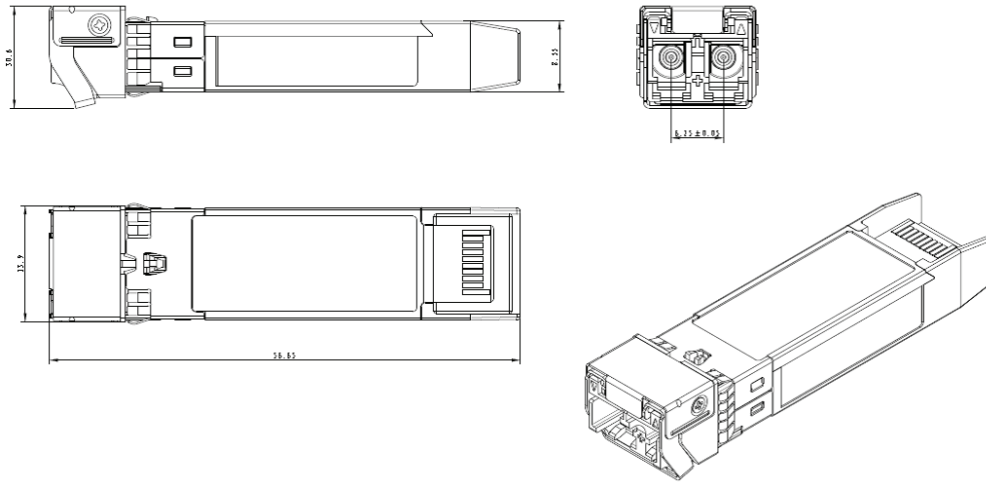
Parameter	Minimum	Typical	Maximum	Units
Supply voltage	3.14	3.3	3.46	V
Power consumption	---	---	1	W
Supply noise rejection	Tolerance according to SFF-8419			
Operating case temperature	0	---	70	°C



HIGHLIGHTS

- Up to 10.3125Gb/s data rate
- SFF-8083 compliant
- IEEE 802.3ae 10GBASE-SR compliant
- 1W maximum power consumption
- 3.3V power supply
- BER better than 1E-15
- Operating case temperature of 0-70°C
- Hot pluggable
- Class 1 laser safety
- Up to 300m link length on OM3 multimode fiber at 10Gb/s
- Up to 400m link length on OM4 multimode fiber at 10Gb/s
- RoHS compliant
- SFF-8083 compliant management interface
- SFF-8472 compliant digital diagnostic monitoring (DDM)

Mechanical Schematics (Option 1)



Note: Multiple options are specified to ensure supply chain robustness. The provided option depends on availability and may change from shipment to shipment.

Mechanical Schematics (Option 2)

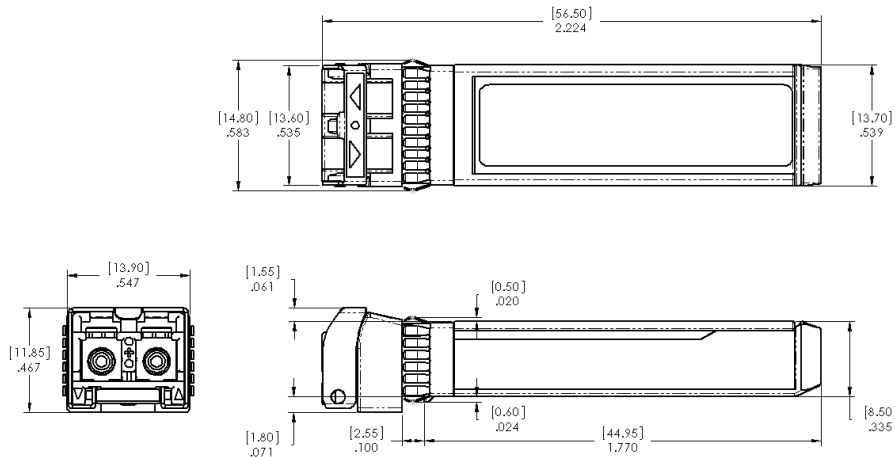


Table 3 - Part Number and Description

OPN	Description
MF1T02A-SR	Mellanox® optical module, ETH 10GbE, 10Gb/s, SFP+, LC-LC, 850nm, SR up to 300m

Warranty Information

Mellanox LinkX optical transceivers include a 1-year limited hardware warranty, which covers parts repair or replacement.

单击下面可查看定价，库存，交付和生命周期等信息

[>>Mellanox\(迈络思\)](#)