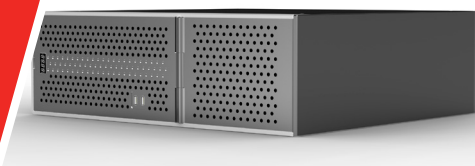




PCI Express® Solutions

Field-Proven, Interoperable and Standards-Compliant Portfolio

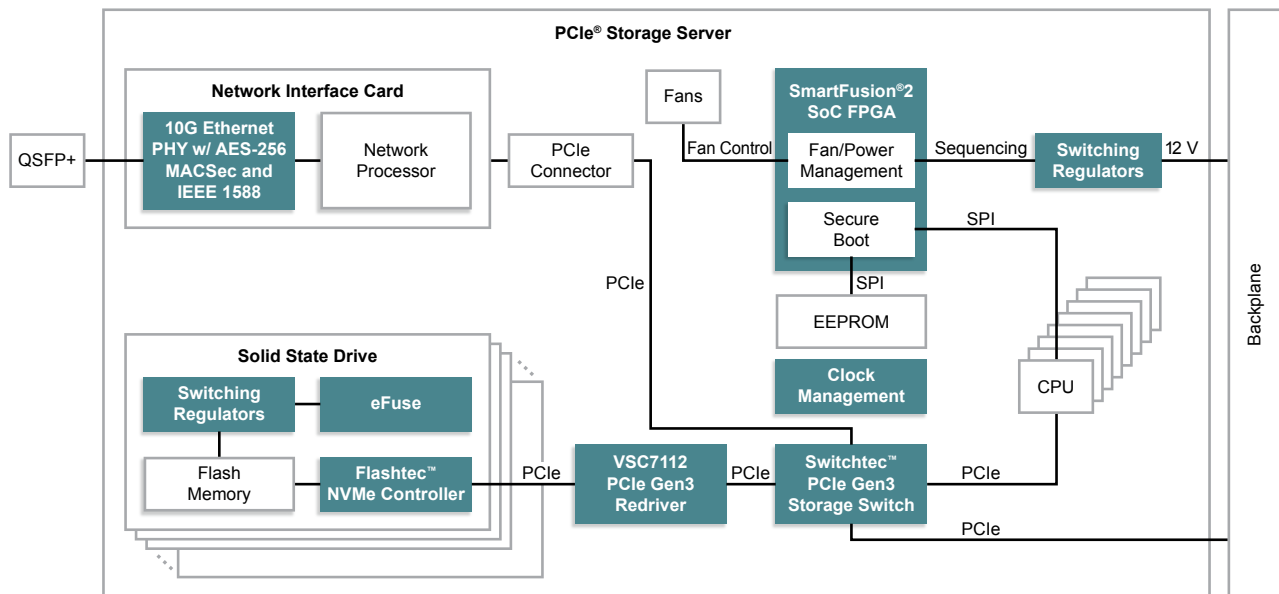


PCI Express® (PCIe) is a widely deployed bus interconnect interface that is commonly used in server platforms. Increasingly, it is also used as a storage and GPU interconnect solution. PCIe Gen3 supports 8 GT/s of throughput per PCIe lane and Gen4 supports 16 GT/s. Typical implementations utilize x2, x4, x8 and x16 lane width interconnect configurations—directly from the host root complex or through PCIe switches to endpoint PCIe devices.

Microchip is a leader in PCIe, having introduced multiple industry firsts. Highlights include:

- PCIe Gen3 SAS/SATA RAID controller
- The industry's highest-density and lowest-power Gen3 PCIe switches, Switchtec™ PSX and PFX
- PCIe Gen3 NVMe Flash controller (Flashtec™), followed by a second-generation introduction of the industry's fastest PCIe Gen3 NVMe SSD controllers
- PCIe Gen3 redriver with EQNOX™ adaptive equalization
- Flash-based FPGAs and SoCs used in CPLD functions with integrated PCIe endpoint implementations

Microchip offers a flexible product portfolio to intelligently design your PCIe system for data center, communications, defense and industrial applications. Our industry-leading PCIe solutions include storage and fanout switches, NVMe controllers, NVRAM drives, redrivers and timing solutions and Flash-based FPGAs and SoCs.



Advantages

Switchtec PCIe Switches

- Options from 24 to 96 lanes
- Industry's most flexible port bifurcation, from $\times 2$ to $\times 16$ lanes per port
- Highest port and Non-Transparent Bridge (NTB) density, with up to 48 ports and 48 NTBs
- Highest switch partition density
- Industry's first integrated programmable processor
- Industry's first integrated enclosure management solution
- PFX-I supports industrial temperature ranges, -40°C (TA) to 105°C (TJ)

Flashtec NVMe Controllers

- World's first and fastest enterprise PCIe NVMe controller, with up to 850K IOPS and up to 8 TB
- Software-defined flash: flexible, programmable architecture optimized for cost, performance and endurance
- Enterprise-class reliability, availability and serviceability with NVMe management features and industry's only dual-port controller

Flashtec NVRAM Drives

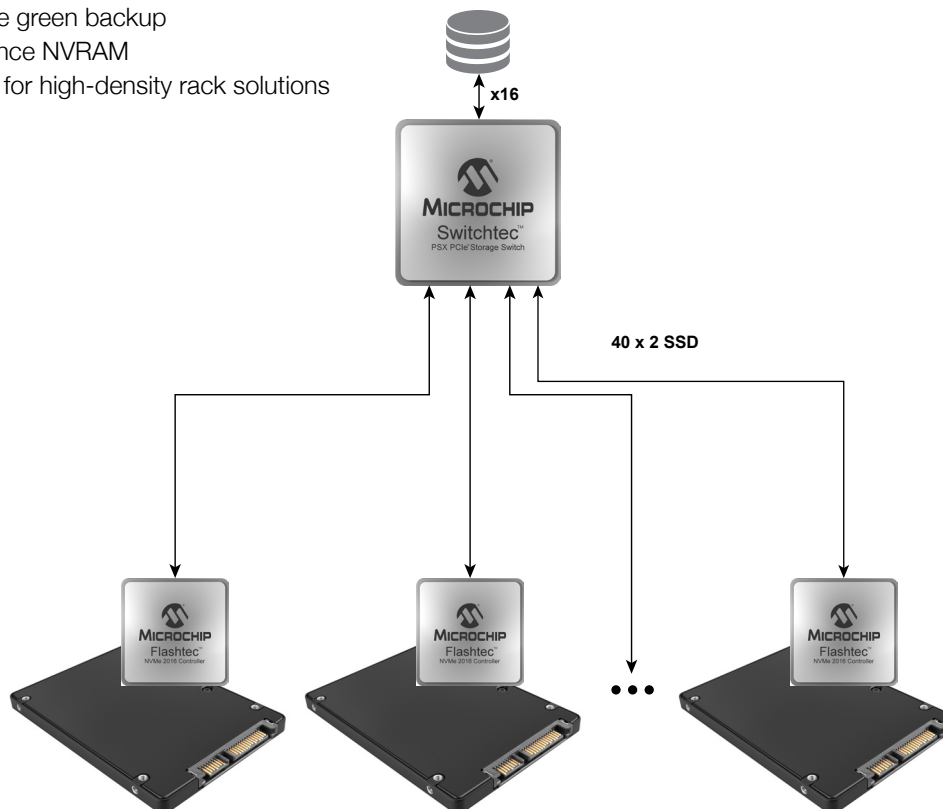
- Non-volatile DRAM with over 10 million IOPS, sub-microsecond latency
- Industry-standard interfaces that are application-friendly for ease of integration
- Zero-maintenance green backup
- Unlimited endurance NVRAM
- Small form factor for high-density rack solutions

Signal Integrity

- PCIe Gen 3.0 solutions supporting $\times 1$ to $\times 8$ lanes
- Adaptive EQ and de-emphasis with up to 30 dB loss compensation
- BOM integration and smaller package sizes save board cost and area
- Low-power modes scale with speed and drive strength
- High ease of use

Timing Solutions

- End-to-end offerings, including synthesis, rate conversion, attenuation and distribution
- Ultra-low-jitter (160 fs) synthesizers and attenuators
- Ultra-low additive jitter, cost-efficient buffers
- Application specific with custom configuration—MiClockDesigner™
- Validated with the Agilent Time Domain PCI-SIG Compliance Software Suite



PCIe Signal Integrity

Improve weak or degraded signals with Switchtec PCIe signal integrity solutions. With industry-exclusive EQNOX™ adaptive equalization add Switchtec's PCIe redrivers and crosspoint switches deliver excellent performance in a compact footprint with flexible lane configurations for Gen1/2/3 applications, including passthrough buffer, non-blocking matrix switching, replication of inputs to multiple outputs and multiplexing.



| Product | Ports | Max Rate | Part Type | Receiver Type | Max Link Width |
|------------|---------------|----------|-------------------------|---------------|----------------|
| VSC3340-01 | 40 × 40 | 6.5G | Crosspoint Switch | CTLE | PCIe® 2.0 × 16 |
| VSC3316 | 16 × 16 | 11.5G | Crosspoint Switch | CTLE | PCIe 3.0 × 8 |
| VSC3308 | 8 × 8 | 11.5G | Crosspoint Switch | CTLE | PCIe 3.0 × 4 |
| VSC7112 | 4, Dual 2 × 2 | 8.5G | Redriver with mux/demux | Adaptive CTLE | PCIe 3.0 × 2 |

Clock Synthesis

The miClockSynth™ family of high-performance, any-rate multiplier and frequency synthesizer devices simplifies board design by generating ultra-low-jitter clock signals from a single crystal or crystal oscillator while generating additional independent frequency families.



| Product | Frequency Families | Outputs | Inputs | Jitter Performance RMS | Package (mm) |
|---------|--------------------|-----------------------------------|---------------|------------------------|--------------|
| ZL3025x | 1 | Up to 3 diff/6SE, 1 Hz–1035 MHz | 10 M–1250 MHz | 160 fs | 5 × 5 QFN |
| ZL3026x | 4 | Up to 10 diff/20SE, 1 Hz–1035 MHz | 10 M–1250 MHz | 170 fs | 8 × 8 QFN |

Gen 1-4 PCIe Clock Generators

| Product | Independent Output Freq. Families | Inputs | Crystal Input Freq. Range | Xtal Oscillator or CMOS Input Freq. Range | Low-Jitter APLLs | Typical Jitter fs RMS | Default Output Configurations | Output Freq. Range | Host Bus | Supply Voltage | Pkg Size (mm) |
|---------|-----------------------------------|--------|---------------------------|---|------------------|-----------------------|-------------------------------|--------------------|----------------------|----------------|---------------|
| ZL30281 | 1 | 1 XTAL | 25M | 25 M | 1 | 160 | 4 | 25 M, 100 M | SPI/I ² C | 3.3 + 1.8 | 5 × 5 |
| ZL30282 | 2 | 2 XTAL | 50M | 50 M | 1 | 160 | 8 | 25 M, 75 M, 100 M | SPI/I ² C | See note | 8 × 8 |

2.5V only, 3.3V only, 1.8V + 2.5V, 1.8V + 3.3V

Clock Fanout Buffers

Microchip's high-performance buffers complement clock synthesis devices by providing additional fanout capabilities and minimal jitter combined with the industry's best power supply noise rejection performance. This preserves signal integrity by adding ultra-low jitter and filtering noise from power supplies, resulting in better performance while simplifying engineering board design efforts.



| Product | Input | Outputs | Output Frequency | Additive Jitter RMS | Package (mm) |
|------------------|-------------------------------------|---|------------------|---------------------------|---------------------|
| ZL40xxx | 1, 2, and XO, any signal type | 2, 4, 6, 8 LVPECL or LVDS | 750 MHz | <100 fs (as low as 39 fs) | 3 × 3 and 5 × 5 QFN |
| ZL4024x, ZL4023x | 2 inputs, XTAL, XO, any signal type | 4, 5, 10 LVPECL, LVDS, HCSSL, or LVCMOS | 1.6 GHz | <50 fs (as low as 25 fs) | 5 × 5 QFN |
| ZL3024x | 3 inputs, XTAL, XO, any signal type | 3, 6, or 10, any native signal diff or SE, configurable by output | 1 GHz | <170 fs | 8 × 8 QFN |

PCIe Fanout and Storage Switches

PFX PCIe Fanout Switches

Switchtec PFX fanout PCIe switches provide the industry's highest-density, lowest-power PCIe switch for data center, communications, workstation, and video production applications. With simple hardware configuration and advanced diagnostics and debug capabilities, the PFX enables PCIe solutions for a wide variety of systems, from Just A Bunch Of Flash (JBOF) to general-purpose applications requiring low-power and high-reliability PCIe switching.

| Product | Lanes | Description | Package Type |
|------------------|-------|--|--|
| PM8531 PFX 24xG3 | 24 | PFX 24xG3, 24-lane PCIe Gen3 Fanout Switch | 650-pin, 27 mm × 27 mm FCBGA package* |
| PM8532 PFX 32xG3 | 32 | PFX 32xG3, 32-lane PCIe Gen3 Fanout Switch | 650-pin, 27 mm × 27 mm FCBGA package* |
| PM8533 PFX 48xG3 | 48 | PFX 48xG3, 48-lane PCIe Gen3 Fanout Switch | 650-pin, 27 mm × 27 mm FCBGA package* |
| PM8534 PFX64xG3 | 64 | PFX 64xG3, 64-lane PCIe Gen3 Fanout Switch | 1311-pin, 37.5 mm × 37.5 mm FCBGA package* |
| PM8535 PFX 80xG3 | 80 | PFX 80xG3, 80-lane PCIe Gen3 Fanout Switch | 1311-pin, 37.5 mm × 37.5 mm FCBGA package* |
| PM8536 PFX 96xG3 | 96 | PFX 96xG3, 96-lane PCIe Gen3 Fanout Switch | 1311-pin, 37.5 mm × 37.5 mm FCBGA package* |

*1 mm ball pitch



PFX-I Industrial Temperature Fanout Switches

Switchtec PFX-I fanout PCIe switches support the full feature set of the PFX switch with an extended industrial temperature operating* range of -40°C to 105°C (T_a to T_j). PFX-I switches also provide the industry's highest-density and lowest-power, with simple hardware configuration and advanced diagnostics and debug capabilities. Typical applications include data center equipment, defense, industrial servers, test equipment, cellular infrastructure, access networks, metro networks and core networking.

| Product | Lanes | Description | Package Type |
|--------------------|-------|--|--|
| PM8571 PFX-I 24xG3 | 24 | PFX 24xG3, 24-lane PCIe Gen3 Fanout Switch | 650-pin, 27 mm × 27 mm FCBGA package* |
| PM8572 PFX-I 32xG3 | 32 | PFX 32xG3, 32-lane PCIe Gen3 Fanout Switch | 650-pin, 27 mm × 27 mm FCBGA package* |
| PM8573 PFX-I 48xG3 | 48 | PFX 48xG3, 48-lane PCIe Gen3 Fanout Switch | 650-pin, 27 mm × 27 mm FCBGA package* |
| PM8574 PFX-I 64xG3 | 64 | PFX 64xG3, 64-lane PCIe Gen3 Fanout Switch | 1311-pin, 37.5 mm × 37.5 mm FCBGA package* |
| PM8575 PFX-I 80xG3 | 80 | PFX 80xG3, 80-lane PCIe Gen3 Fanout Switch | 1311-pin, 37.5 mm × 37.5 mm FCBGA package* |
| PM8576 PFX-I 96xG3 | 96 | PFX 96xG3, 96-lane PCIe Gen3 Fanout Switch | 1311-pin, 37.5 mm × 37.5 mm FCBGA package* |

*1 mm ball pitch

Note: PFX TJunction: 0 °C to 105 °C. PFX-I T_Ambient: 40 °C to TJunction: 105 °C. PFX-I doesn't support Adaptive Voltage Scaling (AVS).



PFX-L Fanout-Lite PCIe Switches

Switchtec PFX-L fanout-lite PCIe switches support up to 96 lanes, 24 ports, x4/x8/x16 port bifurcation, two Non-Transparent Bridges (NTB), hot-plug controllers, advanced diagnostics and debug, end-to-end data integrity, SRIS, and low power. The PFX-L switches maintain footprint compatibility with the PFX switch family. Typical applications for the PFX-L include data center equipment, defense, industrial servers, workstations, test equipment, video production and broadcasting equipment, cellular infrastructure, access networks, metro networks and core networking.

| Product | Lanes | Description | Package Type |
|--------------------|-------|---|--|
| PM8561 PFX-L 24xG3 | 24 | PFX-L 24xG3, 24-lane Fanout-Lite PCIe Gen3 Switch | 650-pin, 27 mm × 27 mm FCBGA package* |
| PM8562 PFX-L 32xG3 | 32 | PFX-L 32xG3, 32-lane Fanout-Lite PCIe Gen3 Switch | 650-pin, 27 mm × 27 mm FCBGA package* |
| PM8563 PFX-L 48xG3 | 48 | PFX-L 48xG3, 48-lane Fanout-Lite PCIe Gen3 Switch | 650-pin, 27 mm × 27 mm FCBGA package* |
| PM8564 PFX-L 64xG3 | 64 | PFX-L 64xG3, 64-lane Fanout-Lite PCIe Gen3 Switch | 1311-pin, 37.5 mm × 37.5 mm FCBGA package* |
| PM8565 PFX-L 80xG3 | 80 | PFX-L 80xG3, 80-lane Fanout-Lite PCIe Gen3 Switch | 1311-pin, 37.5 mm × 37.5 mm FCBGA package* |
| PM8566 PFX-L 96xG3 | 96 | PFX-L 96xG3, 96-lane Fanout-Lite PCIe Gen3 Switch | 1311-pin, 37.5 mm × 37.5 mm FCBGA package* |

*1 mm ball pitch



PSX PCIe Storage Switches

Switchtec PSX PCIe storage switches are engineered to scale PCIe Flash in high-performance, robust storage systems, providing the industry's highest-density, lowest-power, high-reliability switch and is also the first programmable PCIe switch with an integrated processor. Using the PSX Software Development Kit (SDK), customer can enhance PCIe switch functionality and customize error handling.

| Product | Lanes | Description | Package Type |
|------------------|-------|---|--|
| PM8541 PSX 24xG3 | 24 | PSX 24xG3, 24-lane PCIe Gen3 Storage Switch | 650-pin, 27 mm × 27 mm FCBGA package* |
| PM8542 PSX 32xG3 | 32 | PSX 32xG3, 32-lane PCIe Gen3 Storage Switch | 650-pin, 27 mm × 27 mm FCBGA package* |
| PM8543 PSX 48xG3 | 48 | PSX 48xG3, 48-lane PCIe Gen3 Storage Switch | 650-pin, 27 mm × 27 mm FCBGA package* |
| PM8544 PSX 64xG3 | 64 | PSX 64xG3, 64-lane PCIe Gen3 Storage Switch | 1311-pin, 37.5 mm × 37.5 mm FCBGA package* |
| PM8545 PSX 80xG3 | 80 | PSX 80xG3, 80-lane PCIe Gen3 Storage Switch | 1311-pin, 37.5 mm × 37.5 mm FCBGA package* |
| PM8546 PSX 96xG3 | 96 | PSX 96xG3, 96-lane PCIe Gen3 Storage Switch | 1311-pin, 37.5 mm × 37.5 mm FCBGA package* |

*1 mm ball pitch



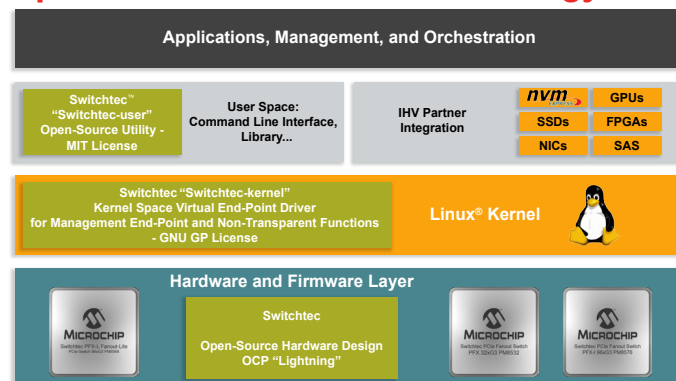
Switchtec PAX Gen3 Advanced Fabric PCIe Switch Family

The Switchtec PAX Gen3 Advanced Fabric PCIe Switch family comprises programmable and high-reliability PCIe Gen3 switches supporting high performance PCIe fabric connectivity, multi-host sharing of SR-IOV endpoints, up to 96 lanes, 48 ports, 24 virtual switch partitions and hot- and surprise-plug controllers for each port. The switch family also features advanced error containment, comprehensive diagnostics and debug capabilities, a wide breadth of I/O interfaces, and an integrated MIPS processor. PAX switches utilize a system-on-chip architecture that optionally enables customer differentiated solutions through firmware customization and enhancements. Applications for the PAX family include scalable multi-host systems, SR-IOV enabled JBOFs, composable, disaggregated systems and rack scale architectures.



| Product | Part Number | Lanes | Ports | Hot-Plug Controllers | Package |
|--|---------------|-------|-------|----------------------|-------------------|
| PAX 24xG3 PCIe Gen3 Advanced Fabric Switch | PM8551B-F3EIP | 24 | 12 | 12 | 27.0 mm x 27.0 mm |
| PAX 32xG3 PCIe Gen3 Advanced Fabric Switch | PM8552B-F3EIP | 32 | 16 | 16 | 27.0 mm x 27.0 mm |
| PAX 48xG3 PCIe Gen3 Advanced Fabric Switch | PM8553B-F3EIP | 48 | 24 | 24 | 27.0 mm x 27.0 mm |
| PAX 64xG3 PCIe Gen3 Advanced Fabric Switch | PM8554B-FEIP | 64 | 32 | 32 | 37.5 mm x 37.5 mm |
| PAX 80xG3 PCIe Gen3 Advanced Fabric Switch | PM8555B-FEIP | 80 | 40 | 40 | 37.5 mm x 37.5 mm |
| PAX 96xG3 PCIe Gen3 Advanced Fabric Switch | PM8556B-FEIP | 96 | 48 | 48 | 37.5 mm x 37.5 mm |

Switchtec Open Source Linux® Drivers, Hardware, Open Collaboration and Technology Sharing



FPGA and SoC PCIe Interface Solutions

PolarFire™ PCI Express Features

Each PolarFire FPGA integrates two low-power built-in PCIe Gen2 controllers, allowing seamless and easy connectivity to one or more host processors. The following are PCIe features:

- x1, x2, and x4 lane support
- Suitable for root port, native endpoint
- PCI Express base specification revision 2.0 and 1.1 compliant
- AXI4 master and slave interfaces to the FPGA fabric
- Single function capability
- Advanced Error Reporting (AER) support
- Integrated Clock Domain Crossing (CDC) to support user-selected AXI4 frequency
- Lane reversal support
- Legacy PCI power management support
- Native active state power management L0s and L1 state support
- Power Management Event (PME message)
- MSI and legacy INT message support
- Latency Tolerance Reporting (LTR)
- L1 PM sub-states with CLKREQ
- Address translation tables between the PCIe and AXI4 domains



SmartFusion®2 and IGLOO®2 PCIe Features

The SmartFusion2 and IGLOO2 transceivers provide full support for PCI Express Gen 2.0. Details are provided in [SmartFusion2 Documents](https://www.microsemi.com/products/fpga-soc/soc-fpga/smartfusion2#documentation) (<https://www.microsemi.com/products/fpga-soc/soc-fpga/smartfusion2#documentation>) and [IGLOO2 Documents](https://www.microsemi.com/products/fpga-soc/fpga/igloo2-fpga#documentation) (<https://www.microsemi.com/products/fpga-soc/fpga/igloo2-fpga#documentation>) on our website.

Features include:

- Gen1/Gen2 rates at x1, x2 and x4 links
- Endpoint topology
- Single-function/single-VC
- Receiver and transmit buffers support Error Correction And Coding (ECC)
- Fabric interface options of AXI3 Master/Slave or AHB32 Master/Slave
- Address translation window support between PCIe and local device address space

PCI-SIG Compliance

Multiple solutions from Microchip solutions have passed PCI-SIG compliance suites.

Please refer to the PCI-SIG integrators list to view [Microsemi PCI Solutions](#).

http://pcisig.com/developers/integrators-list?field_il_comp_product_type_value=All&keys=microsemi

Why Choose Microchip for PCIe?

Microchip keenly recognizes the importance of interoperability to address the design requirements of your PCIe network. We are actively involved in the advancement of PCIe standards, and ensures that all of our PCIe interfaced products properly conform to these standards. Microchip also regularly participates in PCI-SIG compliance workshop events, proving interoperability of our Flashtec, Switchtec, Tachyon™ and Adaptec® products. A list of our PCI Express 3.0-compliant products can be found on the PCI-SIG integrators list.

Microchip's turnkey PCIe reference designs and field-proven interoperable solutions portfolio will streamline your design, accelerating your time to market with differentiated products. Contact your local Microchip sales office today to find the right PCIe technologies and products for your design needs, or visit us at storage.microsemi.com

Support

Microchip is committed to supporting its customers in developing products faster and more efficiently. We maintain a worldwide network of field applications engineers and technical support ready to provide product and system assistance. For more information, please visit www.microchip.com:

- Technical Support: www.microchip.com/support
- Evaluation samples of any Microchip device: www.microchip.com/sample
- Knowledge base and peer help: www.microchip.com/forums
- Sales and Global Distribution: www.microchip.com/sales

Training

If additional training interests you, Microchip offers several resources including in-depth technical training and reference material, self-paced tutorials and significant online resources.

- Overview of Technical Training Resources: www.microchip.com/training
- MASTERS Conferences: www.microchip.com/masters
- Developer Help Website: www.microchip.com/developerhelp
- Technical Training Centers: www.microchip.com/seminars

Sales Office Listing

AMERICAS

Atlanta, GA
Tel: 678-957-9614

Austin, TX
Tel: 512-257-3370

Boston, MA
Tel: 774-760-0087

Chandler, AZ (HQ)
Tel: 480-792-7200

Chicago, IL
Tel: 630-285-0071

Dallas, TX
Tel: 972-818-7423

Detroit, MI
Tel: 248-848-4000

Houston, TX
Tel: 281-894-5983

Indianapolis, IN
Tel: 317-773-8323
Tel: 317-536-2380

Los Angeles, CA
Tel: 949-462-9523
Tel: 951-273-7800

Raleigh, NC
Tel: 919-844-7510

New York, NY
Tel: 631-435-6000

San Jose, CA
Tel: 408-735-9110
Tel: 408-436-4270

Canada - Toronto
Tel: 905-695-1980

EUROPE

Austria - Wels
Tel: 43-7242-2244-39

Denmark - Copenhagen
Tel: 45-4450-2828

Finland - Espoo
Tel: 358-9-4520-820

France - Paris
Tel: 33-1-69-53-63-20

Germany - Garching
Tel: 49-8931-9700

Germany - Haan
Tel: 49-2129-3766-400

Germany - Heilbronn
Tel: 49-7131-67-3636

Germany - Karlsruhe
Tel: 49-721-62537-0

Germany - Munich
Tel: 49-89-627-144-0

Germany - Rosenheim
Tel: 49-8031-354-560

EUROPE

Israel - Ra'anana
Tel: 972-9-744-7705

Italy - Milan
Tel: 39-0331-742611

Italy - Padova
Tel: 39-049-7625286

Netherlands - Drunen
Tel: 31-416-690399

Norway - Trondheim
Tel: 47-7289-7561

Poland - Warsaw
Tel: 48-22-3325737

Romania - Bucharest
Tel: 40-21-407-87-50

Spain - Madrid
Tel: 34-91-708-08-90

Sweden - Gothenberg
Tel: 46-31-704-60-40

Sweden - Stockholm
Tel: 46-8-5090-4654

UK - Wokingham
Tel: 44-118-921-5800

ASIA/PACIFIC

Australia - Sydney
Tel: 61-2-9868-6733

China - Beijing
Tel: 86-10-8569-7000

China - Chengdu
Tel: 86-28-8665-5511

China - Chongqing
Tel: 86-23-8980-9588

China - Dongguan
Tel: 86-769-8702-9880

China - Guangzhou
Tel: 86-20-8755-8029

China - Hangzhou
Tel: 86-571-8792-8115

China - Hong Kong SAR
Tel: 852-2943-5100

China - Nanjing
Tel: 86-25-8473-2460

China - Qingdao
Tel: 86-532-8502-7355

China - Shanghai
Tel: 86-21-3326-8000

China - Shenyang
Tel: 86-24-2334-2829

China - Shenzhen
Tel: 86-755-8864-2200

China - Suzhou
Tel: 86-186-6233-1526

China - Wuhan
Tel: 86-27-5980-5300

China - Xiamen
Tel: 86-592-2388138

China - Xian
Tel: 86-29-8833-7252

ASIA/PACIFIC

China - Zhuhai
Tel: 86-756-321-0040

India - Bangalore
Tel: 91-80-3090-4444

India - New Delhi
Tel: 91-11-4160-8631

India - Pune
Tel: 91-20-4121-0141

Japan - Osaka
Tel: 81-6-6152-7160

Japan - Tokyo
Tel: 81-3-6880-3770

Korea - Daegu
Tel: 82-53-744-4301

Korea - Seoul
Tel: 82-2-554-7200

Malaysia - Kuala Lumpur
Tel: 60-3-7651-7906

Malaysia - Penang
Tel: 60-4-227-8870

Philippines - Manila
Tel: 63-2-634-9065

Singapore
Tel: 65-6334-8870

Taiwan - Hsin Chu
Tel: 886-3-577-8366

Taiwan - Kaohsiung
Tel: 886-7-213-7830

Taiwan - Taipei
Tel: 886-2-2508-8600

Thailand - Bangkok
Tel: 66-2-694-1351

Vietnam - Ho Chi Minh
Tel: 84-28-5448-2100

8/15/18



www.microchip.com

Microchip Technology Inc. | 2355 W. Chandler Blvd. | Chandler AZ, 85224-6199

单击下面可查看定价，库存，交付和生命周期等信息

[>>Microchip Technology](#)