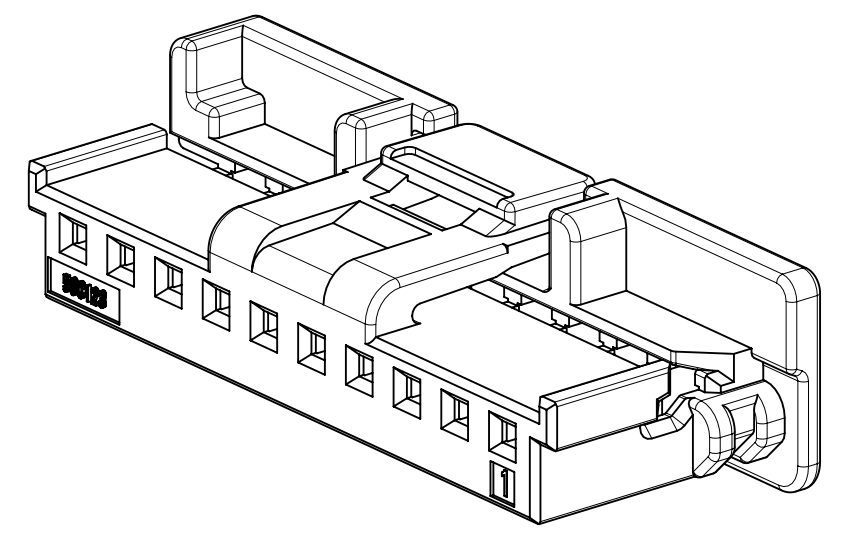
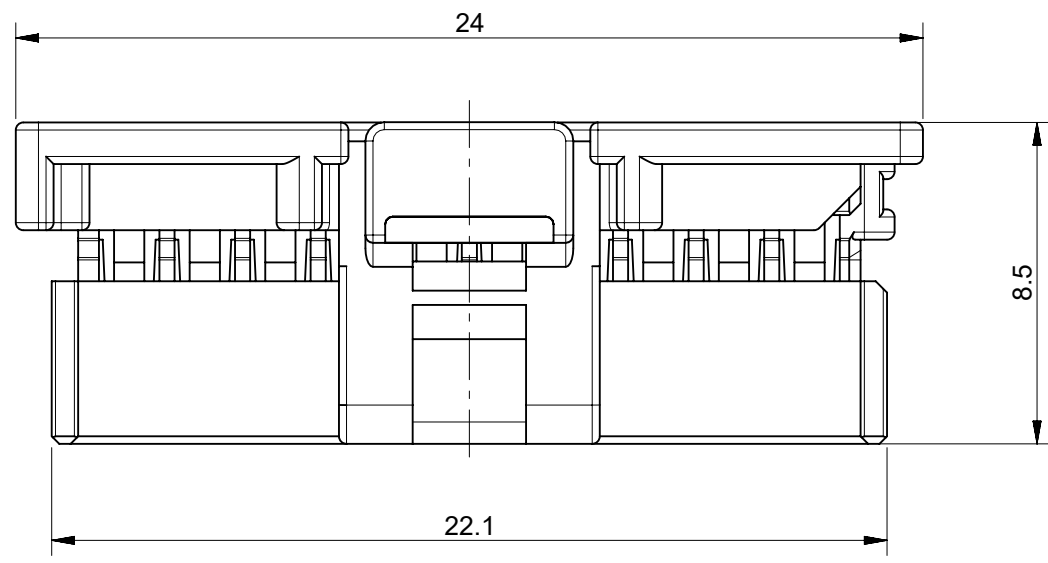
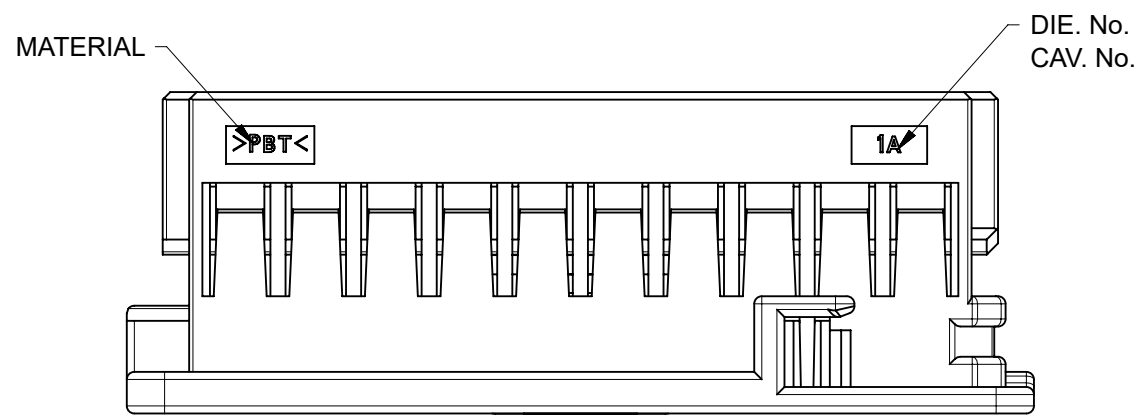
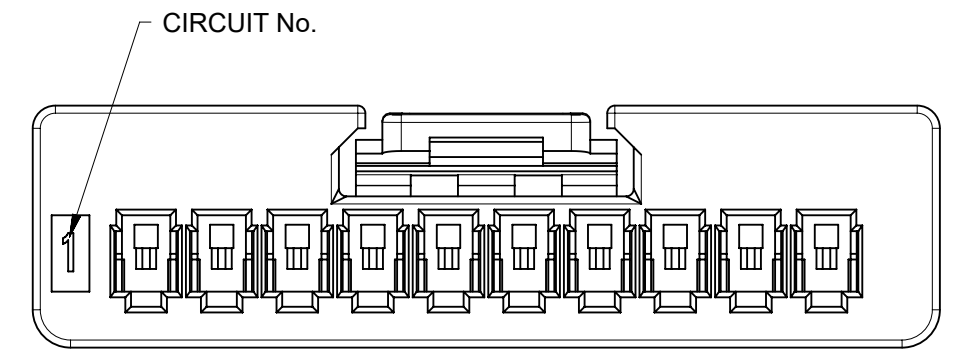
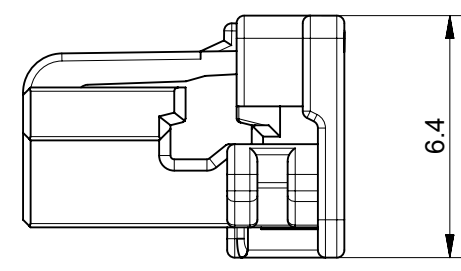
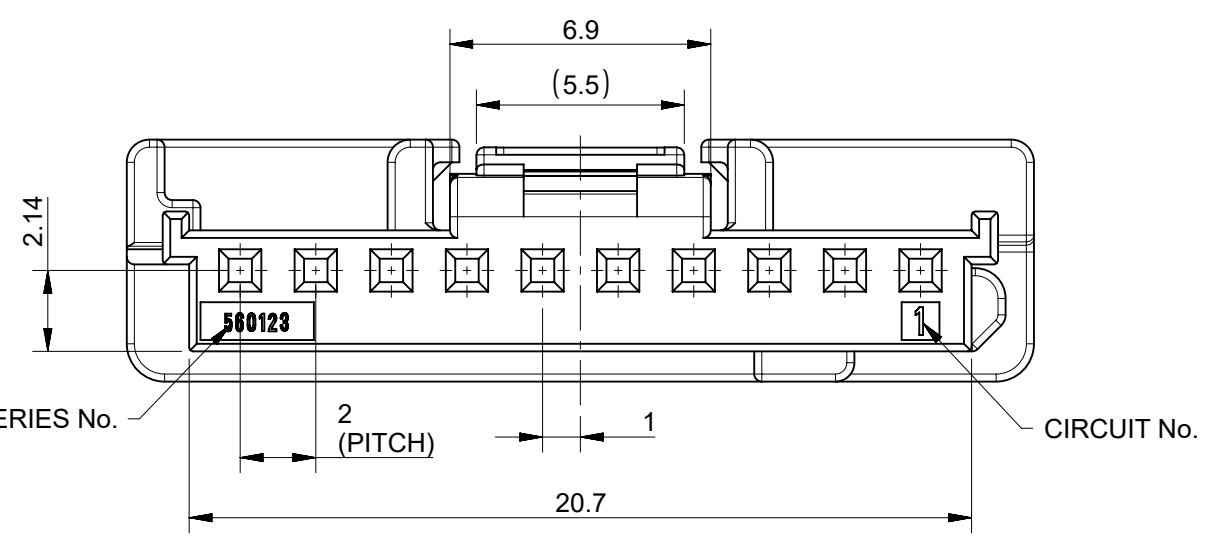


GENERAL TOLERANCE										USED ON
10 MAX	30 MAX	50 MAX	70 MAX	100 MAX	120 MAX	250 MAX	250 OVER	ANGLE	ECCENT	
±0.15	±0.20	±0.30	±0.40	±0.50	±0.75	±0.90	±1.4	±0.5°	0.1	



ISO VIEW



- NOTES:
1. MATERIALS : POLYESTER (PBT), GLASS UNFILLED, UL94 V-0
  2. MATE WITH : 502352, 560020 SERIES
  3. APPLICABLE TERMINAL : 560124 SERIES
  4. APPLICABLE ISL : 560125 SERIES
  5. GENERAL TOLERANCE : SEE TABLE
  6. EVL AND RoHS COMPLIANT
  7. PRODUCT SPECIFICATION : PS-560123-00\*
  8. PACKING SPECIFICATION : PK-560123-001

MATERIAL NUMBER

ORDER NO.	MATERIAL NO.	COLOR
560123-1000	5601231000	WHITE

FUNCTIONAL SYMBOLS	THIS DRAWING CONTAINS INFORMATION THAT IS PROPRIETARY TO MOLEX ELECTRONIC TECHNOLOGIES, LLC AND SHOULD NOT BE USED WITHOUT WRITTEN PERMISSION	CURRENT REV DESC:																																																	
	<table border="1"> <tr> <th>FUNCTIONAL SYMBOLS</th> <th>DIMENSION UNITS</th> <th>SCALE</th> </tr> <tr> <td><math>\nabla_A = 0</math></td> <td>mm</td> <td>5:1</td> </tr> <tr> <td><math>\nabla_E = 0</math></td> <td colspan="2">GENERAL TOLERANCES (UNLESS SPECIFIED)</td> </tr> <tr> <td><math>\nabla_{E'} = 0</math></td> <td colspan="2">ANGULAR TOL <math>\pm 1.0^\circ</math></td> </tr> <tr> <td rowspan="5">DIVISIONAL SYMBOLS</td> <td>4 PLACES</td> <td><math>\pm</math></td> <td rowspan="5">           EC NO: 668822            DRWN: SAKIM            CHK'D: HIJIMA            APPR: HIJIMA            INITIAL REVISION:            DRWN: JKSEO01            APPR: JYCHOI         </td> <td colspan="2">2021/07/01</td> <td rowspan="5">           NEW 2.0 PITCH W/B CONN.            0.5mm REC. 10WAY HSG DURACLIC ISL SERIES         </td> </tr> <tr> <td>3 PLACES</td> <td><math>\pm</math></td> <td colspan="2">2021/07/05</td> </tr> <tr> <td>2 PLACES</td> <td><math>\pm</math></td> <td colspan="2">2021/07/05</td> </tr> <tr> <td>1 PLACE</td> <td><math>\pm</math></td> <td colspan="2">2021/07/13</td> </tr> <tr> <td>0 PLACES</td> <td><math>\pm</math></td> <td colspan="2">2015/08/18</td> </tr> <tr> <td colspan="2">DRAFT WHERE APPLICABLE MUST REMAIN WITHIN DIMENSIONS</td> <td>THIRD ANGLE PROJECTION</td> <td>DRAWING</td> <td>SERIES</td> <td>MATERIAL NUMBER</td> <td>CUSTOMER</td> <td>SHEET NUMBER</td> </tr> <tr> <td colspan="2"></td> <td></td> <td>A3-SIZE</td> <td>560123</td> <td>5601231000</td> <td>GENERAL MARKET</td> <td>1 OF 1</td> </tr> </table>	FUNCTIONAL SYMBOLS	DIMENSION UNITS					SCALE	$\nabla_A = 0$	mm	5:1	$\nabla_E = 0$	GENERAL TOLERANCES (UNLESS SPECIFIED)		$\nabla_{E'} = 0$	ANGULAR TOL $\pm 1.0^\circ$		DIVISIONAL SYMBOLS	4 PLACES	$\pm$	EC NO: 668822 DRWN: SAKIM CHK'D: HIJIMA APPR: HIJIMA INITIAL REVISION: DRWN: JKSEO01 APPR: JYCHOI	2021/07/01		NEW 2.0 PITCH W/B CONN. 0.5mm REC. 10WAY HSG DURACLIC ISL SERIES	3 PLACES	$\pm$	2021/07/05		2 PLACES	$\pm$	2021/07/05		1 PLACE	$\pm$	2021/07/13		0 PLACES	$\pm$	2015/08/18		DRAFT WHERE APPLICABLE MUST REMAIN WITHIN DIMENSIONS		THIRD ANGLE PROJECTION	DRAWING	SERIES	MATERIAL NUMBER	CUSTOMER	SHEET NUMBER			
FUNCTIONAL SYMBOLS	DIMENSION UNITS	SCALE																																																	
$\nabla_A = 0$	mm	5:1																																																	
$\nabla_E = 0$	GENERAL TOLERANCES (UNLESS SPECIFIED)																																																		
$\nabla_{E'} = 0$	ANGULAR TOL $\pm 1.0^\circ$																																																		
DIVISIONAL SYMBOLS	4 PLACES	$\pm$	EC NO: 668822 DRWN: SAKIM CHK'D: HIJIMA APPR: HIJIMA INITIAL REVISION: DRWN: JKSEO01 APPR: JYCHOI	2021/07/01		NEW 2.0 PITCH W/B CONN. 0.5mm REC. 10WAY HSG DURACLIC ISL SERIES																																													
	3 PLACES	$\pm$		2021/07/05																																															
	2 PLACES	$\pm$		2021/07/05																																															
	1 PLACE	$\pm$		2021/07/13																																															
	0 PLACES	$\pm$		2015/08/18																																															
DRAFT WHERE APPLICABLE MUST REMAIN WITHIN DIMENSIONS		THIRD ANGLE PROJECTION	DRAWING	SERIES	MATERIAL NUMBER	CUSTOMER	SHEET NUMBER																																												
			A3-SIZE	560123	5601231000	GENERAL MARKET	1 OF 1																																												

单击下面可查看定价，库存，交付和生命周期等信息

[>>MOLEX](#)