

1. 製品名称 : 2.0mm PITCH W/B CONN. WAFER ASS'Yエンボステープ梱包
Product Name: 2.0mm PITCH W/B CONN. WAFER ASS'Y EMBOSSED TAPE PACKAGE

製品番号 (エンボス梱包品) : 560020-**20, 560020-**30, 560020-**21, 560020-**22, 560020-**23
(**は極数を示す)

Part Number (Embossed Tape Package): 560020-**20, 560020-**30, 560020-**21, 560020-**22, 560020-**23 (** is circuits size)

製品番号 (コネクタ単体) : 560020-**08, 560020-**18, 560020-**28, 560020-**48, 560020-**68
(**は極数を示す)

Part Number (Connector): 560020-**08, 560020-**18, 560020-**28, 560020-**48, 560020-**68 (** is circuits size)

2. 標準梱包数
STANDARD PACKAGING QUANTITY

2-1 成都生産品
Produced in Chengdu

| 極数 CKT | リール&エンボステープ REEL & EMBOSSED TAPE | | | トップテープ TOP TAPE | 外装カートン SHIPPING CARTON 47799-1038 | |
|-----------|-------------------------------------|----------------|-----------------|--------------------|---|------------------|
| | 型番 PROD. NO. | 幅 WIDTH(mm) | 製品数 QUANTITY | 型番 PROD. NO. | 梱包リール数 NUMBER OF REELS | 製品数 QUANTITY |
| 2 | 47799-5107 | 24 | 650 | 47799-5096 | 6 (3) | 3,900 (1,950) |
| 3 | 47799-5108 | | | | | |
| 4 | 47799-5109 | | | | | |
| 5 | 47799-5110 | 32 | 650 | 47799-5097 | 4 (2) | 2,600 (1,300) |
| 6 | 47799-5111 | | | | | |
| 7 | 47799-5112 | | | | | |
| 8 | 47799-5113 | 44 | 650 | 47799-5098 | 3 (1) | 1,950 (650) |
| 9 | 47799-5236 | | | | | |
| 10 | 47799-5237 | | | | | |
| 11 | 47799-5238 | | | | | |
| 12 | 47799-5239 | | | | | |
| 13 | 47799-5240 | 56 | 650 | 47799-5099 | 3 (1) | 1,950 (650) |
| 14 | 47799-5241 | | | | | |
| 15 | 47799-5242 | | | | | |

注 : () 内の数は、少量出荷用カートンを用いた場合の梱包数。
NOTE: "()" Numbers are applicable for small lot shipment.

| | | | | | | | | | | | | | | | | | | | | |
|--|--|-----|-----|-----|---|-------------|--------------|-----------------|------------|--|--|--------------------------------|-----------------|--|--|--|--|--|--|--|
| REV. | A | B | C | D | | | | | | | | | | | | | | | | |
| SHEET | 1-3 | 1-3 | 1-3 | 1-4 | | | | | | | | | | | | | | | | |
| REVISE ON PC ONLY | | | | | | TITLE: | | | | | | | | | | | | | | |
| D | REVISED JTR2016-0116 2016/06/02 K.NAGAI | | | | 560020梱包仕様書 PACKAGING SPEC. FOR 560020 | | | | | | | | | | | | | | | |
| | THIS DOCUMENT CONTAINS INFORMATION THAT IS PROPRIETARY TO INC. AND SHOULD NOT BE USED WITHOUT WRITTEN PERMISSION | | | | | | | | | | | | | | | | | | | |
| REV. | DESCRIPTION | | | | WRITTEN BY: | CHECKED BY: | APPROVED BY: | DATE: YR/MO/DAY | | | | | | | | | | | | |
| | DESIGN CONTROL JTR | | | | STATUS | K.NAGAI | H.KOMATSU | MA.YAMAMOTO | 2012/09/11 | | | | | | | | | | | |
| DOCUMENT NUMBER PK-560020-002-JP | | | | | | | | | | | | FILE NAME PK560020002JP.DOC | SHEET 1 OF 4 | | | | | | | |

molex**PACKAGING SPECIFICATION**

LANGUAGE

JAPANESE
ENGLISH2-2 韓国生産品
Produced in Korea

| 極数 CKT | リール&エンボステープ REEL & EMBOSSED TAPE | | | | トップテープ TOP TAPE | 外装カートン SHIPPING CARTON 59411-0002 | |
|-----------|-------------------------------------|---|--------------------|-----------------|--------------------|---|-----------------|
| | リール型番 REEL PROD. NO. | エンボス テープ 型番 EMBOSSE TAPE PROD. NO. | 幅 WIDTH (mm) | 製品数 QUANTITY | 型番 PROD. NO. | 梱包リール数 NUMBER OF REELS | 製品数 QUANTITY |
| 2 | 35908-1022 | 59407-6602 | 24 | 650 | 59406-5203 | 6 | 3,900 |
| 3 | | 59407-6603 | | | | | |
| 4 | | 59407-6604 | | | | | |
| 5 | 35908-1023 | 59407-6605 | 32 | 650 | 59406-5204 | 4 | 2,600 |
| 6 | | 59407-6606 | | | | | |
| 7 | 35908-1024 | 59407-6607 | 44 | 650 | 59406-5205 | 3 | 1,950 |
| 8 | | 59407-6608 | | | | | |
| 9 | | 59407-6609 | | | | | |
| 10 | | 59407-6610 | | | | | |
| 11 | | 59407-6611 | | | | | |
| 12 | 59407-6612 | | | | | | |
| 13 | 35908-1025 | 59407-6613 | 56 | 650 | 59406-5206 | 3 | 1,950 |
| 14 | | 59407-6614 | | | | | |
| 15 | | 59407-6615 | | | | | |

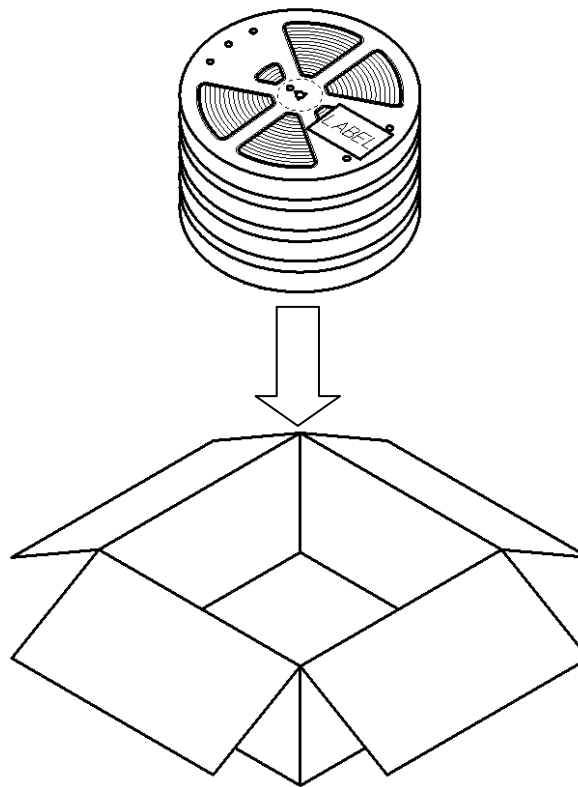
| | | | | | |
|-------------------|-------------|------------------|---|---|--------|
| REVISE ON PC ONLY | D | SEE SHEET 1 OF 4 | TITLE: | 560020梱包仕様書 PACKAGING SPEC. FOR 560020 | |
| | | | THIS DOCUMENT CONTAINS INFORMATION THAT IS PROPRIETARY TO INC. AND MUST NOT BE USED WITHOUT WRITTEN PERMISSION | | |
| REV. | DESCRIPTION | | DOCUMENT NUMBER | FILE NAME | SHEET |
| | | | PK-560020-002-JP | PK560020002JP.DOC | 2 OF 4 |

EN-037(2012-03)

3. 梱包方法
PACKAGING PROCEDURE

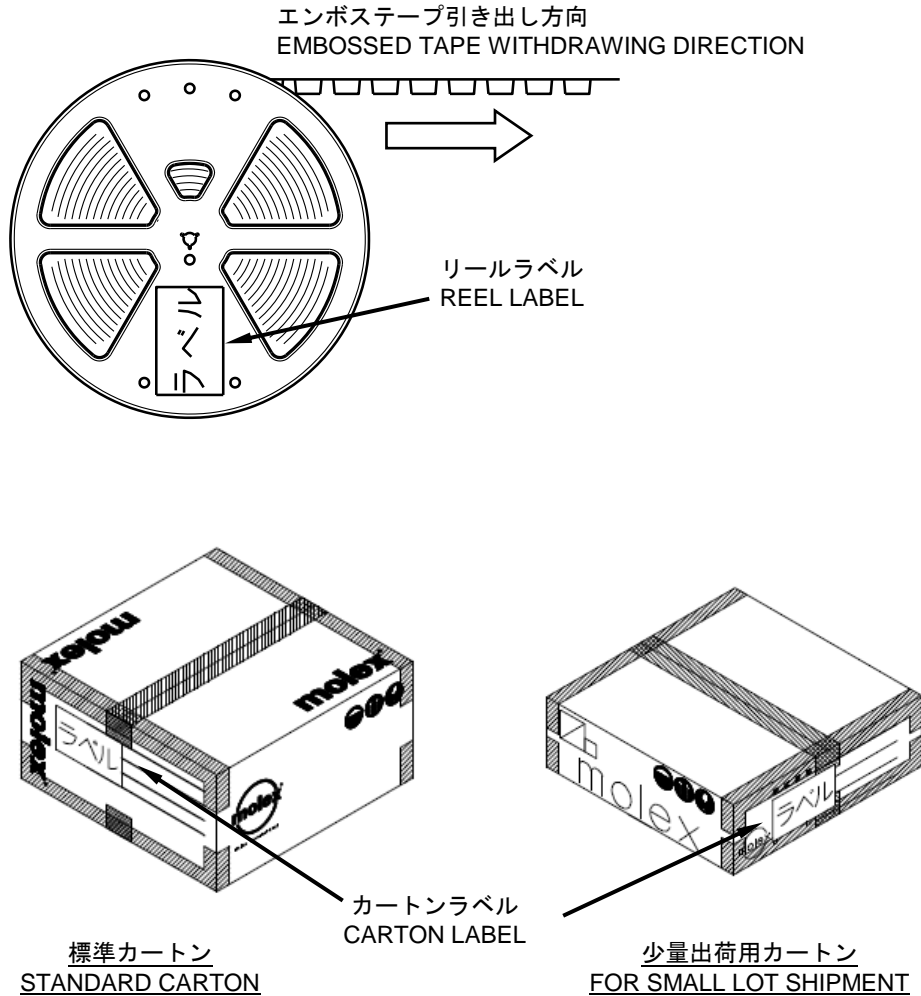
- 1). 規定数量に基づき、製品をエンボス梱包する。
- 2). リールにラベルを貼り付ける。ラベルには数量、型番、ロットを明記する。
- 3). カートンへリールを規定数量入れる。
- 4). カートンを閉じてテープでとめる。
- 5). 外側にラベルを貼り付ける。ラベルには数量、型番、ロットを明記する。

- 1). Package the appropriate number of parts in the embossed tape.
- 2). Place the label on the outside of the reel. On the label, quantity, part number, lot number needs to be specified.
- 3). Put the appropriate number of reel into the carton crucially.
- 4). Close the box, and tape the box.
- 5). Place the label on the outside of the box. On the label, quantity, part number, lot number needs to be specified.



| | | | |
|--|-------------------|---|---|
| D | REVISE ON PC ONLY | TITLE: 560020梱包仕様書 PACKAGING SPEC. FOR 560020 | THIS DOCUMENT CONTAINS INFORMATION THAT IS PROPRIETARY TO INC. AND MUST NOT BE USED WITHOUT WRITTEN PERMISSION |
| | SEE SHEET 1 OF 4 | | |
| REV. | DESCRIPTION | | |
| DOCUMENT NUMBER PK-560020-002-JP | | FILE NAME PK560020002JP.DOC | SHEET 3 OF 4 |

4. ラベル位置
LABEL POSITION



| | | |
|-------------------------------------|-------------------|--|
| D | REVISE ON PC ONLY | TITLE: 560020梱包仕様書 PACKAGING SPEC. FOR 560020 |
| | SEE SHEET 1 OF 4 | |
| REV. | DESCRIPTION | THIS DOCUMENT CONTAINS INFORMATION THAT IS PROPRIETARY TO INC. AND MUST NOT BE USED WITHOUT WRITTEN PERMISSION |
| DOCUMENT NUMBER PK-560020-002-JP | | FILE NAME PK560020002JP.DOC |
| | | SHEET 4 OF 4 |

单击下面可查看定价，库存，交付和生命周期等信息

[>>MOLEX](#)