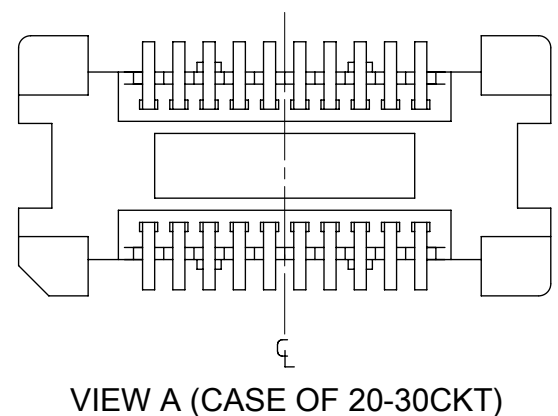


参考基板レイアウト (マウント面)
P.C. BOARD PATTERN
DIMENSION. (REF.)
(MOUNTING AREA)



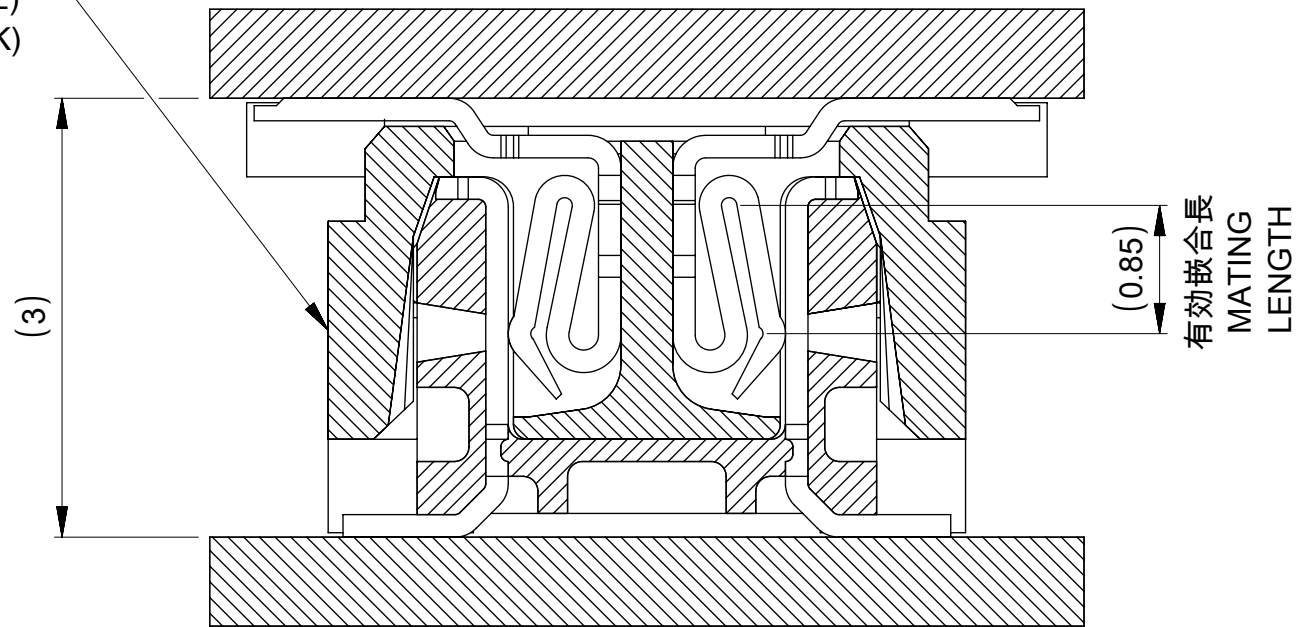
23.8	20.24	19.5	53748-0808	80
21.3	17.74	17	53748-0708	70
18.8	15.24	14.5	53748-0608	60
16.3	12.74	12	53748-0508	50
13.8	10.24	9.5	53748-0408	40
11.3	7.74	7	53748-0308	30
8.8	5.24	4.5	53748-0208	20
C	B	A	EMBOSSED TAPE	極数
			ORDER NO.	CIRCUIT
CONNECTOR SERIES NO.			53748-***0	

注記 NOTES:
 1. 使用材料 MATERIAL
 ハウジング : LCPガラス入り (白), UL94V-0
 HOUSING : LCP(G.F.)(COLOR:WHITE), UL94V0
 ターミナル : 黄銅 (t=0.15)
 TERMINAL: BRASS (t=0.15)
 2. メッキ仕様 PLATING
 全体仕上げ : 金メッキ 0.1 MICROMETER MIN.
 ALL OVER : GOLD 0.1 MICROMETER MIN.
 下地メッキ : ニッケルメッキ 1.5 MICROMETER MIN.
 UNDER PLATING : NICKEL 1.5 MICROMETER MIN.
 3. 基準面 X からのソルダーテールの半田付け面のズレ量は、上方向 0 下方向 0.15MAX. とする。
 MISALIGNMENT OF SOLDER TAIL FROM X
 △ (全極数/2) = 偶数の場合に適用。
 APPLY FOR (CIRCUIT/2)=EVEN.
 5. 嵌合相手 : 52991シリーズ (嵌合高さ = 3mm)、54167シリーズ (嵌合高さ = 3mm)
 MATE WITH: 52991 SERIES (HEIGHT = 3mm), AND 54167 SERIES (HEIGHT = 3mm)

6. テール平坦度は、0.1MAX.
 TAIL COPLANARITY TO BE 0.1MAX.
 7. ELV及びRoHS適合品
 ELV AND RoHS COMPLIANT

THIS DRAWING CONTAINS INFORMATION THAT IS PROPRIETARY TO MOLEX ELECTRONIC TECHNOLOGIES, LLC AND SHOULD NOT BE USED WITHOUT WRITTEN PERMISSION		CURRENT REV DESC:		molex	
DIMENSION UNITS	SCALE				
mm	8:1			0.5 MM PITCH B-TO-B CONN. HEIGHT = 3 PLUG	
GENERAL TOLERANCES (UNLESS SPECIFIED)		ANGULAR TOL ± 30°		EC NO: 739518	
4 PLACES ± 0.2		3 PLACES ± 0.25		DRWN: TNAKAGAWA01 2023/02/21	
10 ^{UNDER} ± 0.2		2 PLACES ± 0.3		CHK'D: SMARUYAMA 2023/06/02	
10 ^{OVER} ± 0.25		1 PLACE ±		APPR: YNAITO 2023/06/02	
30 ^{OVER} ± 0.3		0 PLACES ±		INITIAL REVISION:	
ANGULAR ± 3°		THIRD ANGLE PROJECTION		DRWN: NAKAMURAA 2008/12/08	
DRAFT WHERE APPLICABLE MUST REMAIN WITHIN DIMENSIONS		DRAWING		APPR: NUKITA 2009/01/09	
		SERIES		DOCUMENT NUMBER	
		A3-SIZE		SD-53748-002	
		53748		DOC TYPE DOC PART REVISION	
		SEE TABLE		PSD 001 F	
		GENERAL		SHEET NUMBER	
		1 OF 2			

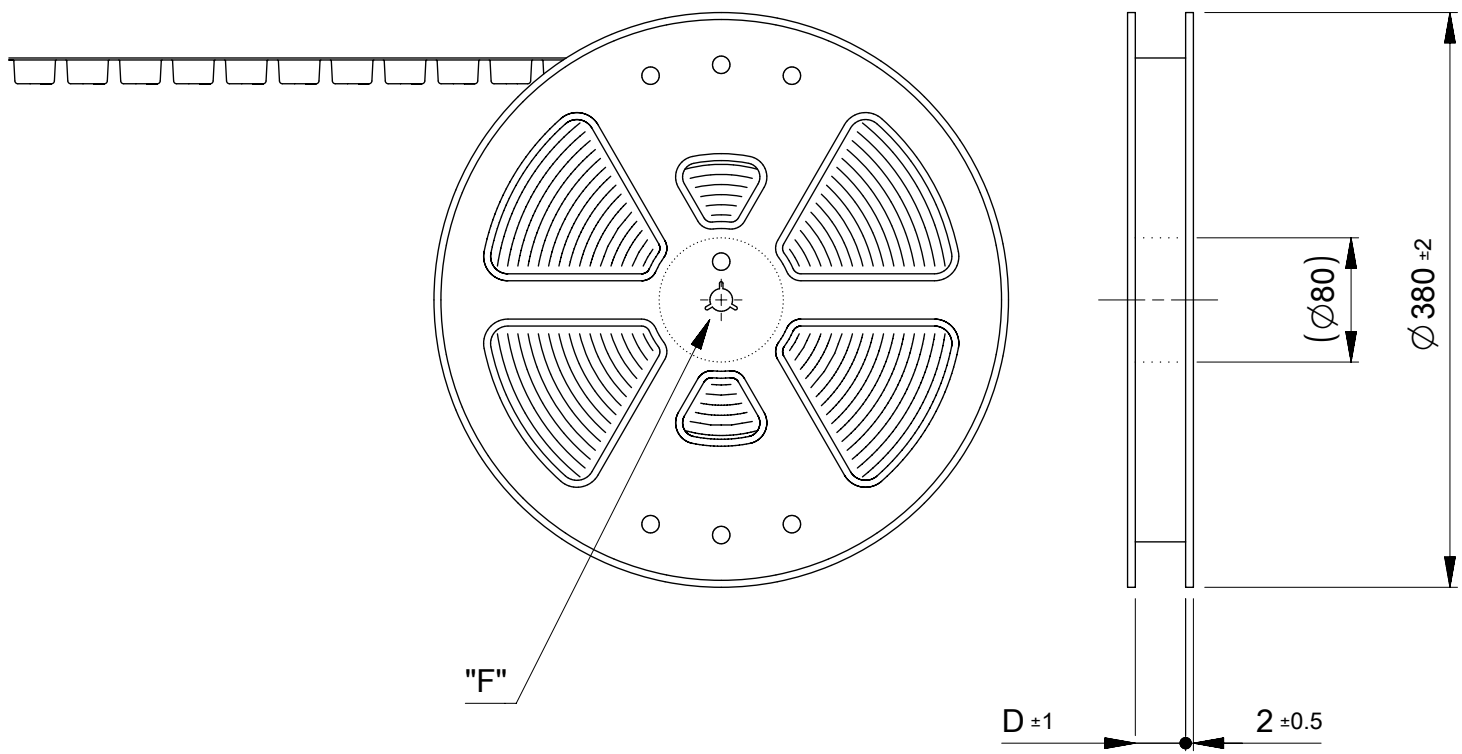
嵌合相手 MATE WITH
 52991-***8 (白 WHITE)
 52991-***2 (白 WHITE)
 54167-***8 (黒 BLACK)



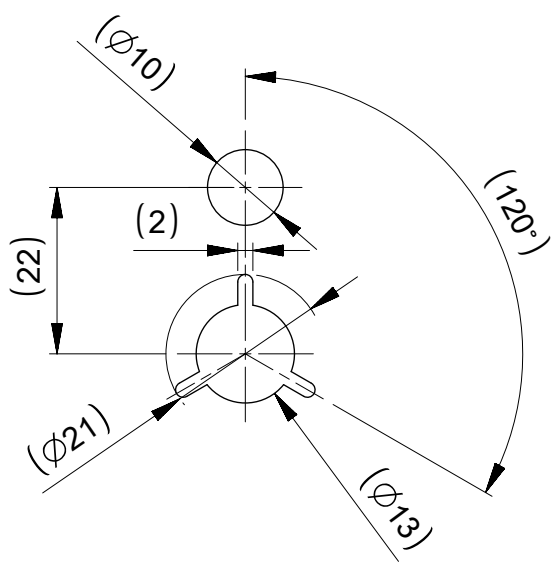
嵌合断面図 (参考)
 MATED DRAWING (REF.)

THIS DRAWING CONTAINS INFORMATION THAT IS PROPRIETARY TO MOLEX ELECTRONIC TECHNOLOGIES, LLC AND SHOULD NOT BE USED WITHOUT WRITTEN PERMISSION											
DIMENSION UNITS		SCALE		CURRENT REV DESC:							
mm		20:1									
GENERAL TOLERANCES (UNLESS SPECIFIED)				ANGULAR TOL ± 30°		EC NO: 739518		2023/02/21		0.5 MM PITCH B-TO-B CONN. HEIGHT = 3 PLUG	
10 ^{UNDER}		±0.2		4 PLACES ± 0.2		DRWN: TNAKAGAWA01		2023/06/02		PRODUCT CUSTOMER DRAWING	
10 ^{OVER} 30 ^{UNDER}		±0.25		3 PLACES ± 0.25		CHK'D: SMARUYAMA		2023/06/02		DOCUMENT NUMBER	
30 ^{OVER}		±0.3		2 PLACES ± 0.3		APPR: YNAITO		2023/06/02		SD-53748-002	
ANGULAR ±3°		0 PLACES ±		1 PLACE ±		INITIAL REVISION:		2008/12/08		DOC TYPE	
DRAFT WHERE APPLICABLE MUST REMAIN WITHIN DIMENSIONS		DRAFT WHERE APPLICABLE MUST REMAIN WITHIN DIMENSIONS		0 PLACES ±		DRWN: NAKAMURAA		2009/01/09		DOC PART	
						APPR: NUKITA				REVISION	
						THIRD ANGLE PROJECTION		DRAWING		SHEET NUMBER	
						A3-SIZE		SERIES		2 OF 2	
						53748		MATERIAL NUMBER		CUSTOMER	
						SEE SHEET 1		GENERAL			

引き出し方向
PULL OUT
DIRECTION



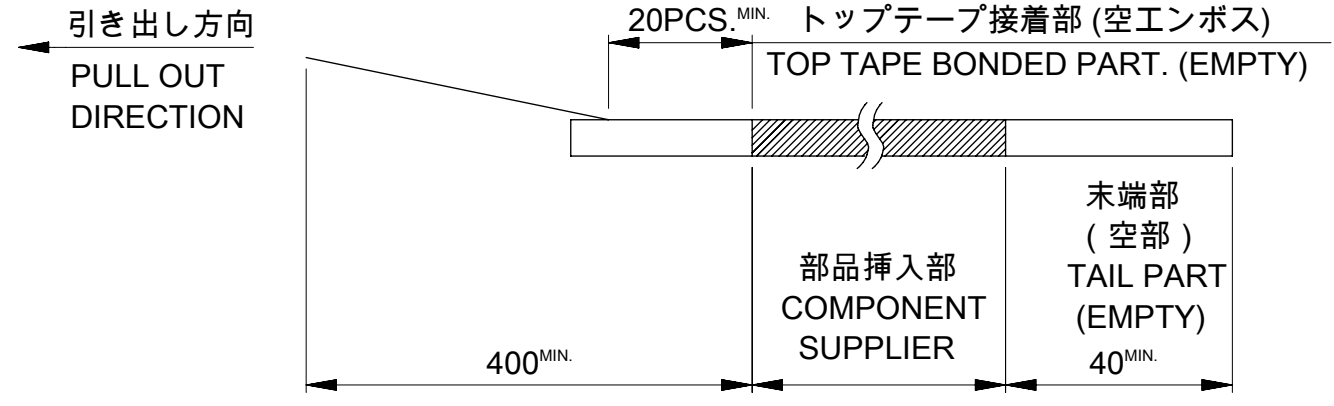
"F"



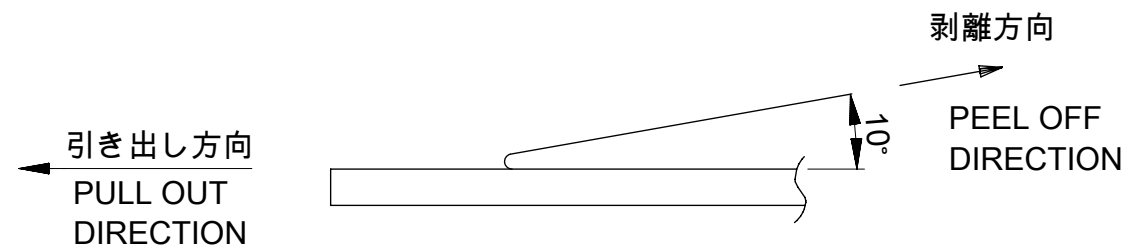
DETAIL "F"

NOTES

- 製品詳細寸法については図面 SD-53748-002を参照下さい。
DETAIL DIMENSION, SEE SD-53748-002
- 梱包数量 : 3000個 / リール
NUMBER OF CONNECTORS : 3000PCS/REEL
- リードテープ長さ LEAD TAPE LENGTH



- トップテープの剥離強度 : 0.1N ~ 0.7N(10.2gf ~ 71.4gf)
(剥離方向は下図参照)
尚、本規格値は出荷時に適用。(但し、輸送時に剥離が発生しないこと。)
PEELING OFF FORCE OF TOP TAPE: 0.1N ~ 0.7N(10.2gf ~ 71.4gf)
(PEELING DIRECTION AS SHOWN IN FOLLOWING FIG,)
THIS REQUIREMENT SHOULD BE APPLIED AT SHIPMENT.
PEEL OFF SHOULD NOT BE ALLOWED, DURING TRANSPORTATION.

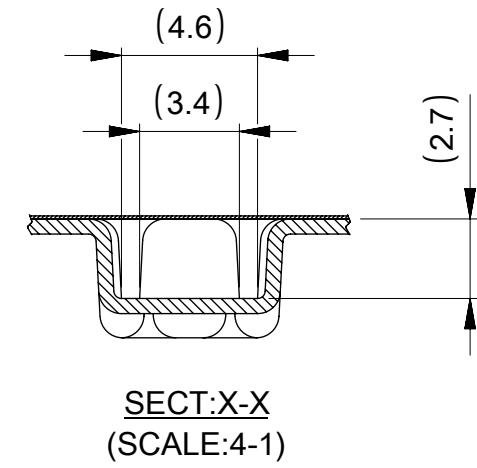
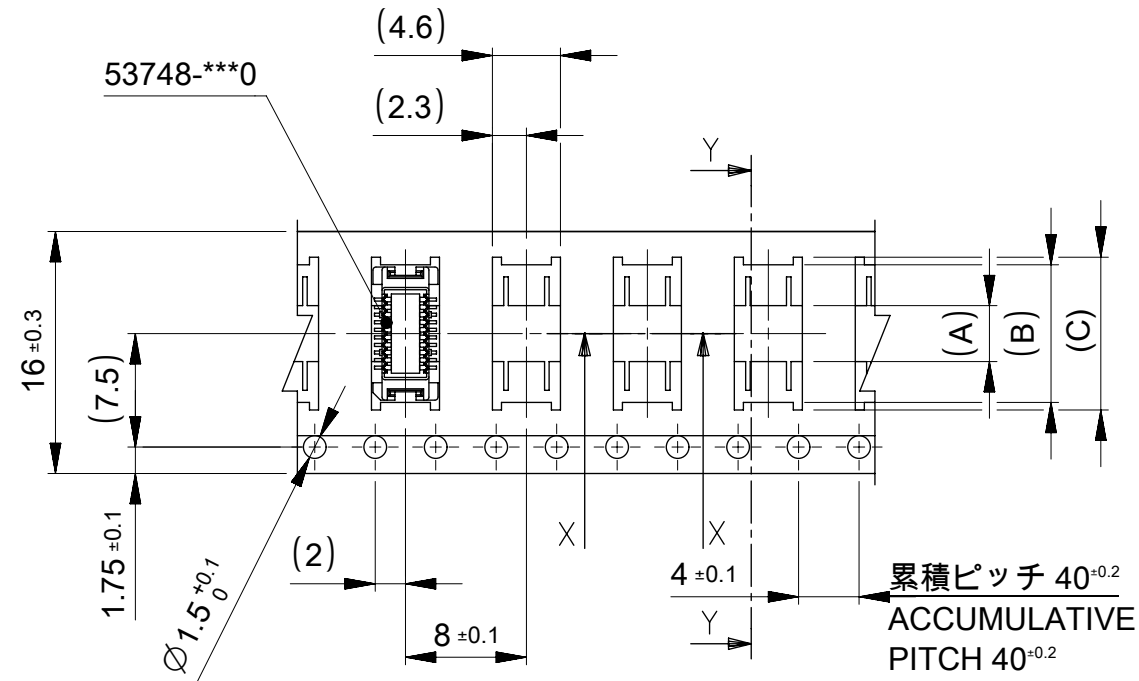
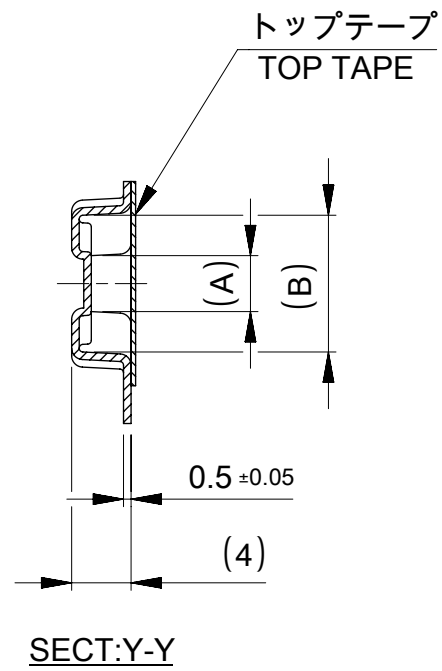


- 材料 (MATERIAL)
キャリアテープ (CARRIER TAPE) : ポリプロピレン (POLYPROPYLENE)
トップテープ (TOPTAPE) : PET , PE , PEF
リール(REEL) : ポリスチレン (PS) <リサイクル材を含む>
POLYSTYREN(PS) <RECYCLE MATERIAL CONTANED>

THIS DRAWING CONTAINS INFORMATION THAT IS PROPRIETARY TO MOLEX ELECTRONIC TECHNOLOGIES, LLC AND SHOULD NOT BE USED WITHOUT WRITTEN PERMISSION

DIMENSION UNITS		SCALE		CURRENT REV DESC:		molex	
mm		NTS					
GENERAL TOLERANCES (UNLESS SPECIFIED)				ANGULAR TOL ± 30°		EC NO: 739518	
4 PLACES ± 0.2		3 PLACES ± 0.25		2 PLACES ± 0.3		DRWN: TNAKAGAWA01 2023/02/21	
10 ^{UNDER} ± 0.2		10 ^{OVER} 30 ^{UNDER} ± 0.25		30 ^{OVER} ± 0.3		CHK'D: SMARUYAMA 2023/06/02	
ANGULAR+3°		0 PLACES ±				APPR: YNAITO 2023/06/02	
DRAFT WHERE APPLICABLE MUST REMAIN WITHIN DIMENSIONS				THIRD ANGLE PROJECTION		INITIAL REVISION:	
DRAFT WHERE APPLICABLE MUST REMAIN WITHIN DIMENSIONS		DRAFT WHERE APPLICABLE MUST REMAIN WITHIN DIMENSIONS		DRAWING		DRWN: NAKAMURAA 2008/12/08	
DRAWING		SERIES		MATERIAL NUMBER		CUSTOMER	
A3-SIZE		53748		SEE SHEET 2-5		GENERAL	
DOCUMENT NUMBER		DOC TYPE		DOC PART		REVISION	
SD-53748-005		PSD		001		F	
SHEET NUMBER		1 OF 5					

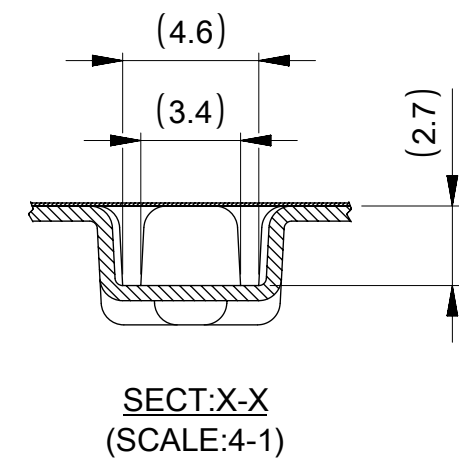
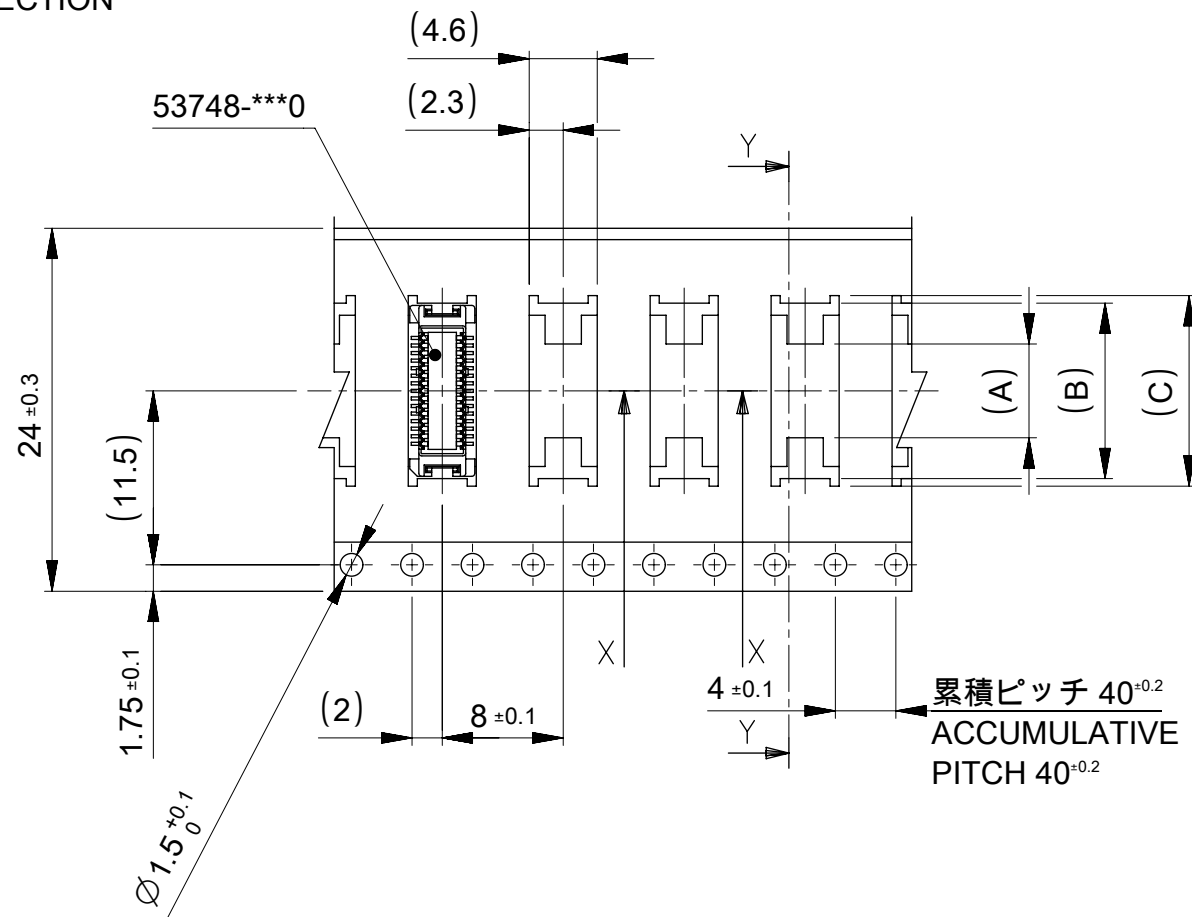
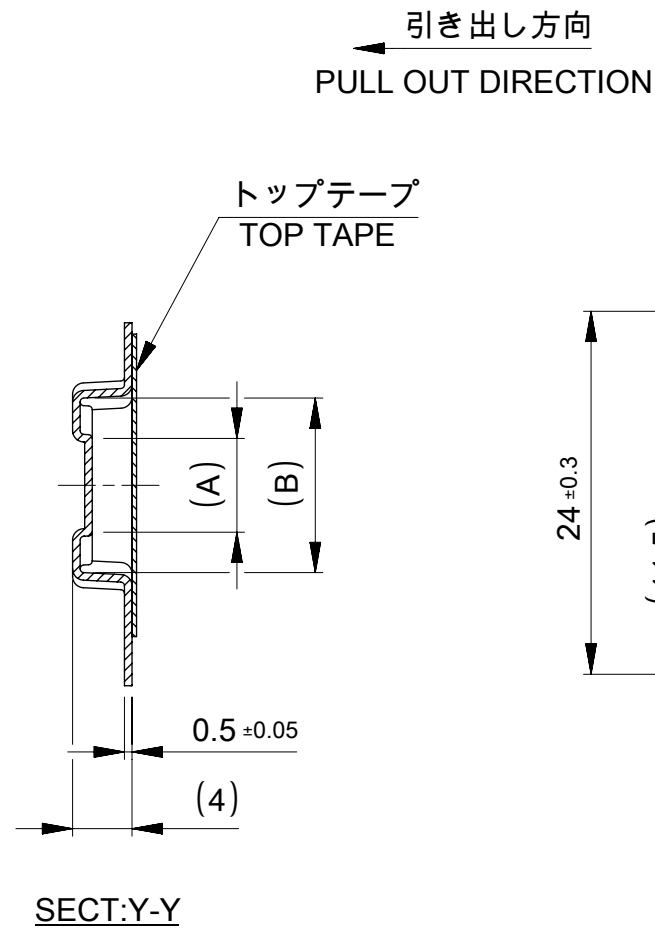
引き出し方向
PULL OUT DIRECTION



16mm 幅キャリアテープ
16mm WIDTH CARRIER TAPE

16	17.5	10.1	9.1	3.7	53748-0208	20
キャリアテープ幅 CARRIER TAPE WIDTH		D	(C)	(B)	(A)	MATERIAL NO. 極数 CKT.

THIS DRAWING CONTAINS INFORMATION THAT IS PROPRIETARY TO MOLEX ELECTRONIC TECHNOLOGIES, LLC AND SHOULD NOT BE USED WITHOUT WRITTEN PERMISSION		CURRENT REV DESC:		molex			
DIMENSION UNITS	SCALE	EC NO: 739518					
mm	NTS	DRWN: TNAKAGAWA01		PRODUCT CUSTOMER DRAWING			
GENERAL TOLERANCES (UNLESS SPECIFIED)		CHK'D: SMARUYAMA		DOCUMENT NUMBER			
ANGULAR TOL ± 30°		APPR: YNAITO		SD-53748-005		DOC TYPE	DOC PART
4 PLACES ± 0.2		INITIAL REVISION:		2008/12/08		REVISION	
3 PLACES ± 0.25		DRWN: NAKAMURAA		2009/01/09		001	F
2 PLACES ± 0.3		APPR: NUKITA		MATERIAL NUMBER		GENERAL	
1 PLACE ±		THIRD ANGLE PROJECTION		CUSTOMER			
0 PLACES ±		DRAWING		SERIES			
DRAFT WHERE APPLICABLE MUST REMAIN WITHIN DIMENSIONS		A3-SIZE		53748			
		SHEET NUMBER		2 OF 5			

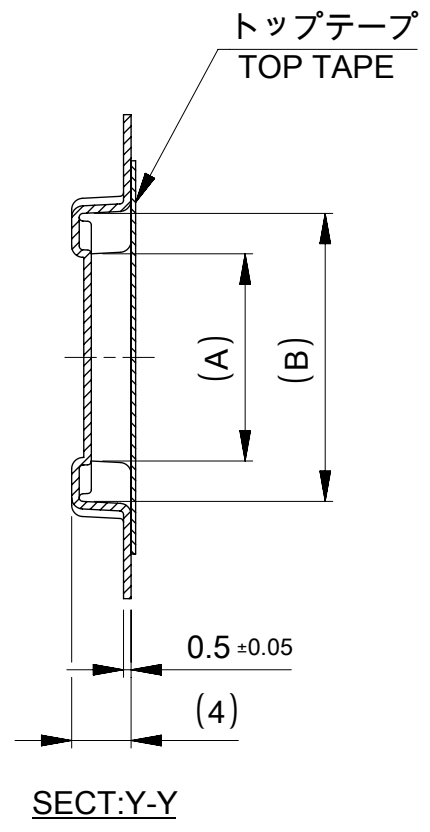
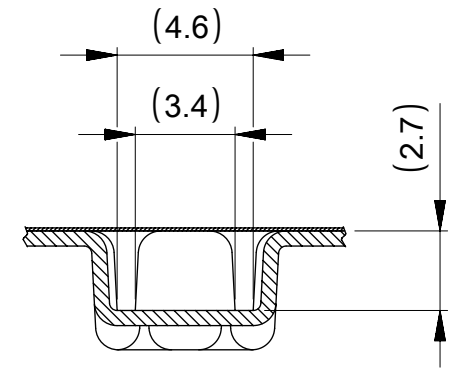
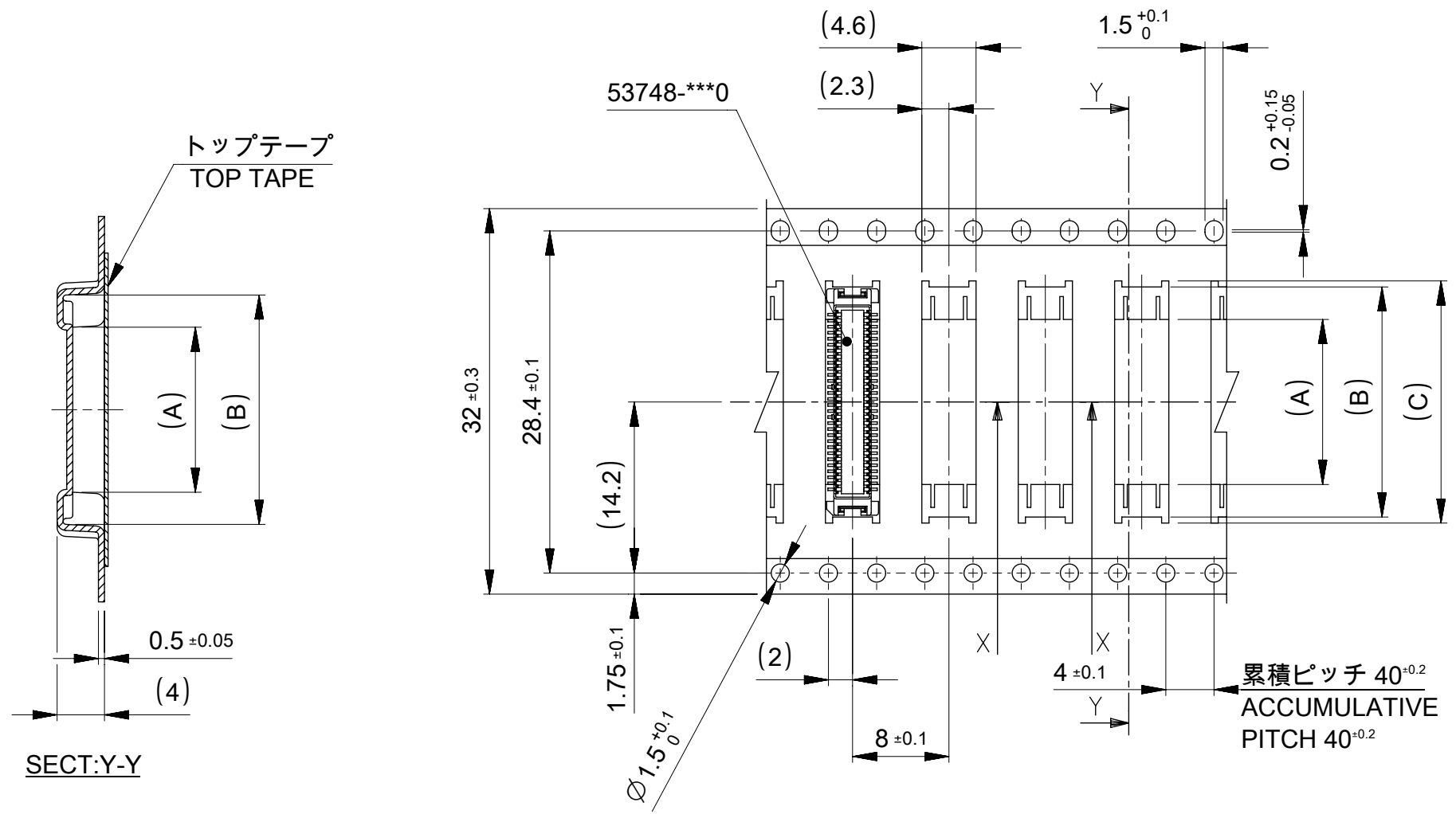


24mm 幅キャリアテープ
24mm WIDTH CARRIER TAPE

24	25.5	15.1	14.1	7.4	53748-0408	40
		12.6	11.6	4.9	53748-0308	30
キャリアテープ幅 CARRIER TAPE WIDTH		D	(C)	(B)	(A)	MATERIAL NO. 極数 CKT.

THIS DRAWING CONTAINS INFORMATION THAT IS PROPRIETARY TO MOLEX ELECTRONIC TECHNOLOGIES, LLC AND SHOULD NOT BE USED WITHOUT WRITTEN PERMISSION		CURRENT REV DESC:		molex		
DIMENSION UNITS	SCALE	EC NO: 739518				
mm	NTS	DRWN: TNAKAGAWA01		PRODUCT CUSTOMER DRAWING		
GENERAL TOLERANCES (UNLESS SPECIFIED)		CHK'D: SMARUYAMA		DOCUMENT NUMBER		
ANGULAR TOL ± 30°		APPR: YNAITO		SD-53748-005		
4 PLACES ± 0.2		INITIAL REVISION:		DOC TYPE		
3 PLACES ± 0.25		DRWN: NAKAMURAA		PSD		
2 PLACES ± 0.3		APPR: NUKITA		DOC PART		
1 PLACE ±		2008/12/08		001		
0 PLACES ±		2009/01/09		F		
DRAFT WHERE APPLICABLE MUST REMAIN WITHIN DIMENSIONS		THIRD ANGLE PROJECTION		SHEET NUMBER		
DRAFT WHERE APPLICABLE MUST REMAIN WITHIN DIMENSIONS		DRAWING		3 OF 5		
		A3-SIZE		SERIES		
		53748		MATERIAL NUMBER		
		SEE TABLE		CUSTOMER		
		GENERAL				

引き出し方向
PULL OUT DIRECTION



32mm 幅キャリアテープ
32mm WIDTH CARRIER TAPE

累積ピッチ 40^{+0.2}
ACCUMULATIVE PITCH 40^{+0.2}

32	33.5	20.1	19.1	13.7	53748-0608	60
		17.6	16.6	11.2	53748-0508	50
キャリアテープ幅 CARRIER TAPE WIDTH	D	(C)	(B)	(A)	MATERIAL NO.	極数 CKT.

THIS DRAWING CONTAINS INFORMATION THAT IS PROPRIETARY TO MOLEX ELECTRONIC TECHNOLOGIES, LLC AND SHOULD NOT BE USED WITHOUT WRITTEN PERMISSION

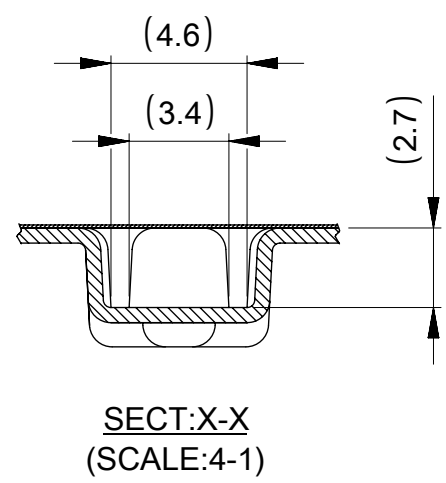
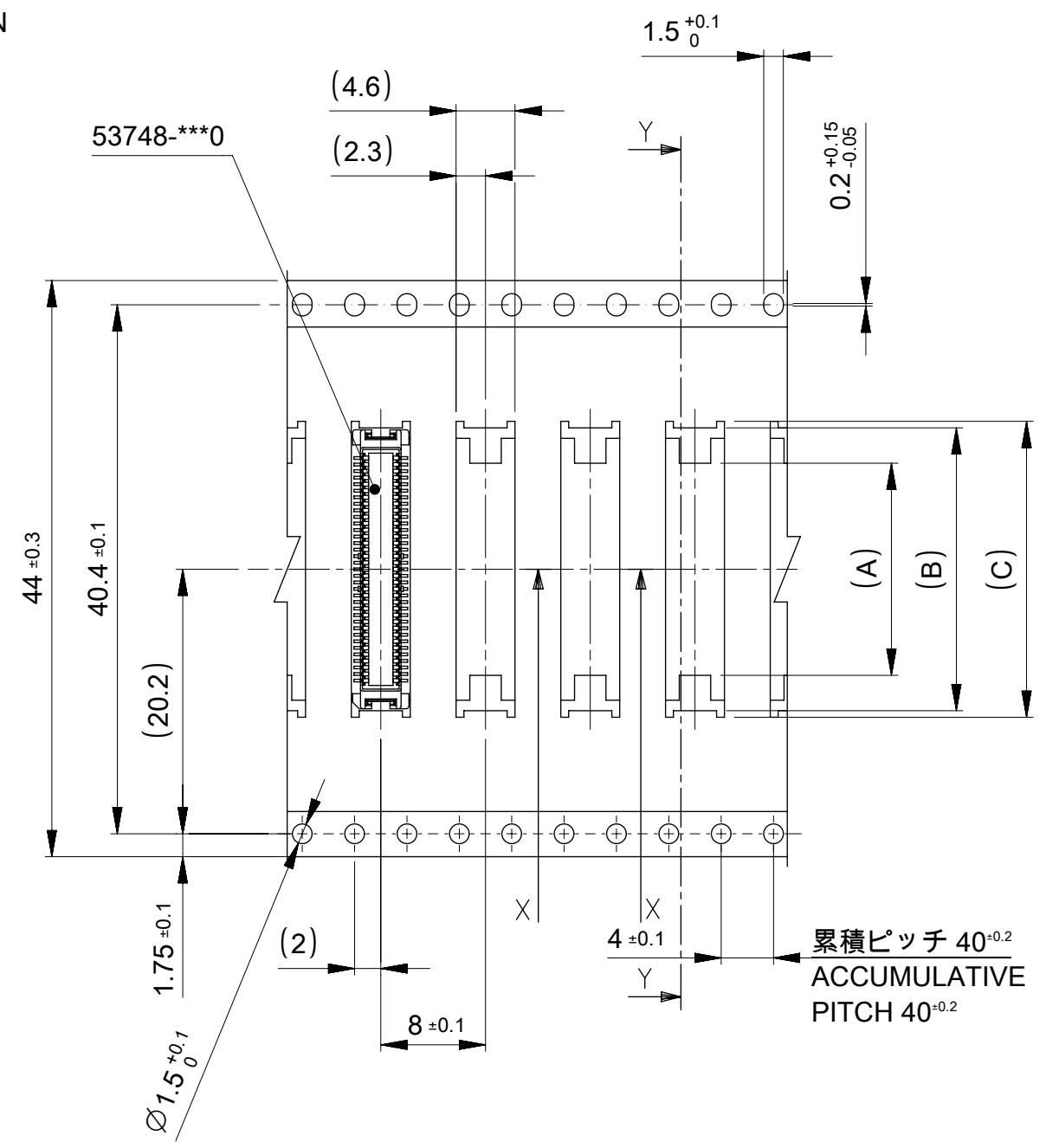
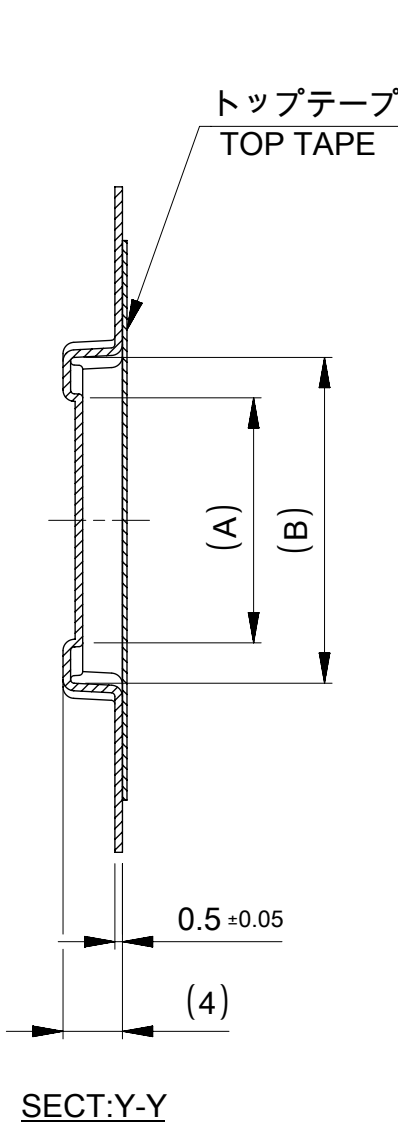
DIMENSION UNITS	SCALE	CURRENT REV DESC:	
mm	NTS		
GENERAL TOLERANCES (UNLESS SPECIFIED)		molex	
ANGULAR TOL ± 30°		0.5 MM PITCH B-TO-B CONN. HEIGHT = 3 PLUG EMBOSS TAPE PACKAGE	
4 PLACES ± 0.2		PRODUCT CUSTOMER DRAWING	
3 PLACES ± 0.25		DOCUMENT NUMBER	
2 PLACES ± 0.3		SD-53748-005	
1 PLACE ±		DOC TYPE	
0 PLACES ±		PSD	
ANGULAR+3°		DOC PART	
DRAFT WHERE APPLICABLE MUST REMAIN WITHIN DIMENSIONS		001	
		REVISION	
		F	
		SHEET NUMBER	
		4 OF 5	

EC NO: 739518
DRWN: TNAKAGAWA01 2023/02/21
CHK'D: SMARUYAMA 2023/06/02
APPR: YNAITO 2023/06/02

INITIAL REVISION:
DRWN: NAKAMURAA 2008/12/08
APPR: NUKITA 2009/01/09

THIRD ANGLE PROJECTION
DRAWING: A3-SIZE
SERIES: 53748
MATERIAL NUMBER: SEE TABLE
CUSTOMER: GENERAL

引き出し方向
PULL OUT DIRECTION



44mm 幅キャリアテープ
44mm WIDTH CARRIER TAPE

44	45.5	25.1	24.1	18.7	53748-0808	80
		22.6	21.6	16.2	53748-0708	70
キャリアテープ幅 CARRIER TAPE WIDTH		D	(C)	(B)	(A)	MATERIAL NO. 極数 CKT.

THIS DRAWING CONTAINS INFORMATION THAT IS PROPRIETARY TO MOLEX ELECTRONIC TECHNOLOGIES, LLC AND SHOULD NOT BE USED WITHOUT WRITTEN PERMISSION

DIMENSION UNITS	SCALE	CURRENT REV DESC:	
mm	NTS		
GENERAL TOLERANCES (UNLESS SPECIFIED)		molex	
ANGULAR TOL ± 30°		0.5 MM PITCH B-TO-B CONN. HEIGHT = 3 PLUG EMBOSS TAPE PACKAGE	
4 PLACES ± 0.2		EC NO: 739518	
3 PLACES ± 0.25		DRWN: TNAKAGAWA01 2023/02/21	
2 PLACES ± 0.3		CHK'D: SMARUYAMA 2023/06/02	
1 PLACE ±		APPR: YNAITO 2023/06/02	
0 PLACES ±		INITIAL REVISION:	
DRAFT WHERE APPLICABLE MUST REMAIN WITHIN DIMENSIONS		DRWN: NAKAMURAA 2008/12/08	
		APPR: NUKITA 2009/01/09	
THIRD ANGLE PROJECTION		DRAWING	SERIES
DRAFT WHERE APPLICABLE MUST REMAIN WITHIN DIMENSIONS		A3-SIZE	53748
		MATERIAL NUMBER	CUSTOMER
		SEE TABLE	GENERAL
		DOCUMENT NUMBER	DOC TYPE DOC PART REVISION
		SD-53748-005	PSD 001 F
		SHEET NUMBER	
		5 OF 5	

单击下面可查看定价，库存，交付和生命周期等信息

[>>MOLEX](#)