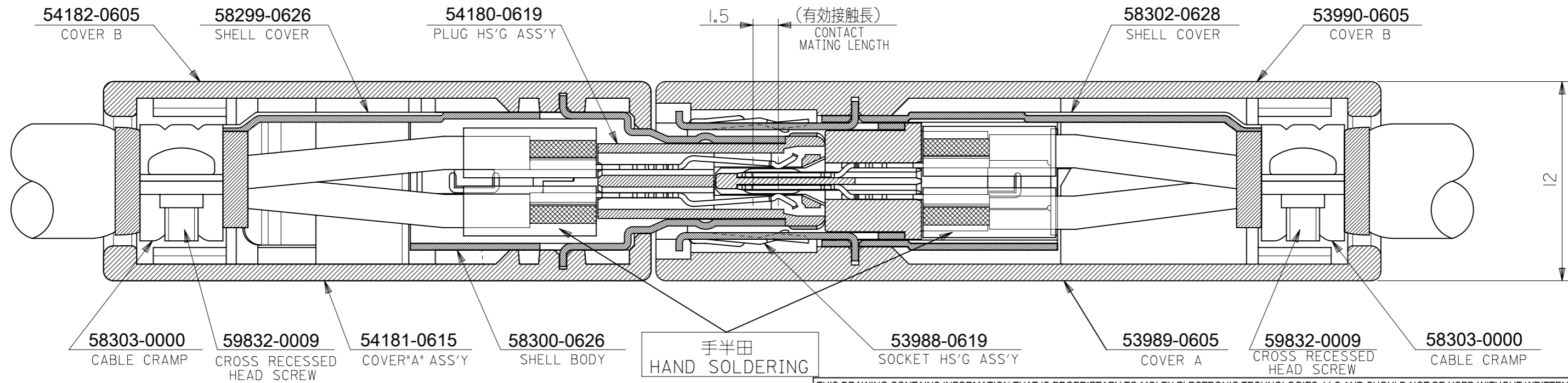
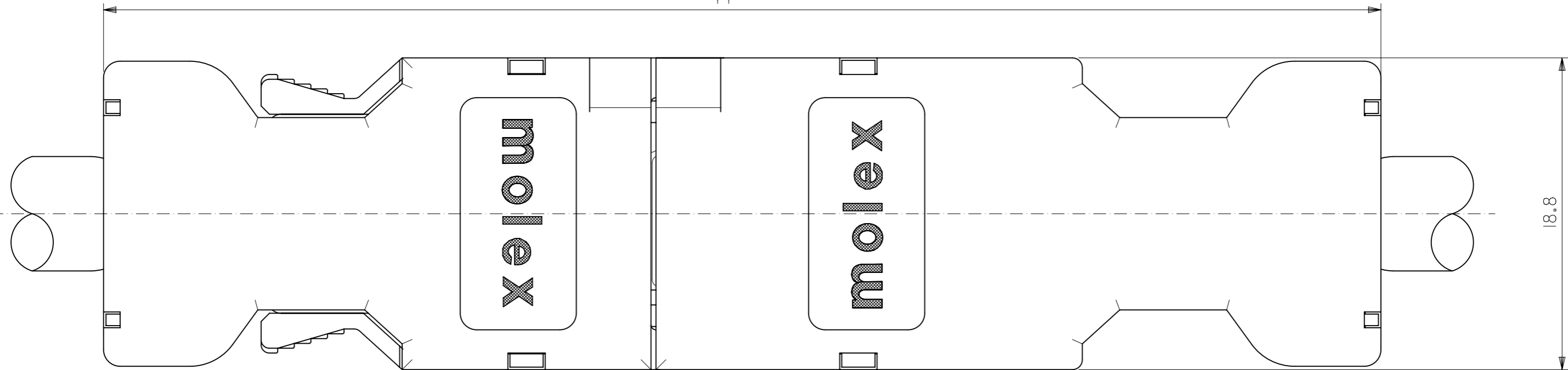


プラグ側 (55100-06*0)
PLUG SIDE

ソケット側 (54280-0609)
SOCKET SIDE

77

18.8



54182-0605
COVER B

58299-0626
SHELL COVER

54180-0619
PLUG HS'G ASS'Y

1.5 (有効接触長)
CONTACT MATING LENGTH

58302-0628
SHELL COVER

53990-0605
COVER B

12

58303-0000
CABLE CRAMP

59832-0009
CROSS RECESSED
HEAD SCREW

54181-0615
COVER*A ASS'Y

58300-0626
SHELL BODY

手半田
HAND SOLDERING

53988-0619
SOCKET HS'G ASS'Y

53989-0605
COVER A

59832-0009
CROSS RECESSED
HEAD SCREW

58303-0000
CABLE CRAMP

注記
NOTE

- 本製品は55100-0600, 54280-0600の鉛フリー品である。
THIS PRODUCT IS LEAD FREE OF 55100-0600 AND 54280-0600.

THIS DRAWING CONTAINS INFORMATION THAT IS PROPRIETARY TO MOLEX ELECTRONIC TECHNOLOGIES, LLC AND SHOULD NOT BE USED WITHOUT WRITTEN PERMISSION

REVISED EC NO: 119030 DRWN: TNAKAGAWA01 CHK'D: KTAKAHASHI APPR: MSASAO	2017/07/06	GENERAL TOLERANCES (UNLESS SPECIFIED)	DIMENSION UNITS	SCALE
	2017/07/11	ANGULAR TOL ± °	MM	4:1
	2017/07/11	4 PLACES ±	DRWN BY	DATE
		3 PLACES ±	MNABEI	2008/04/09
		2 PLACES ±	CHK'D BY	DATE
	1 PLACE ±	MISOGAYA	2008/04/10	
	0 PLACES ±	APPR BY	DATE	
		NUKITA	2008/04/11	
		DRAFT WHERE APPLICABLE MUST REMAIN WITHIN DIMENSIONS	DRAWING SIZE	THIRD ANGLE PROJECTION
			A3	

molex

2.0 I/O CONN. CROSS-SECT.
VIEW OF MATED CONNECTORS -LEAD FREE-

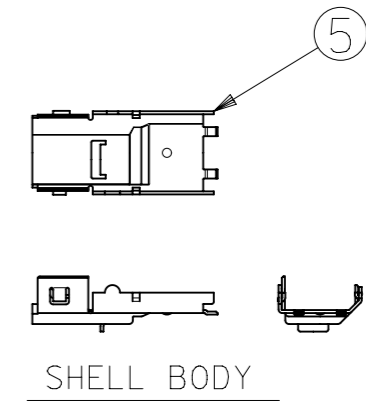
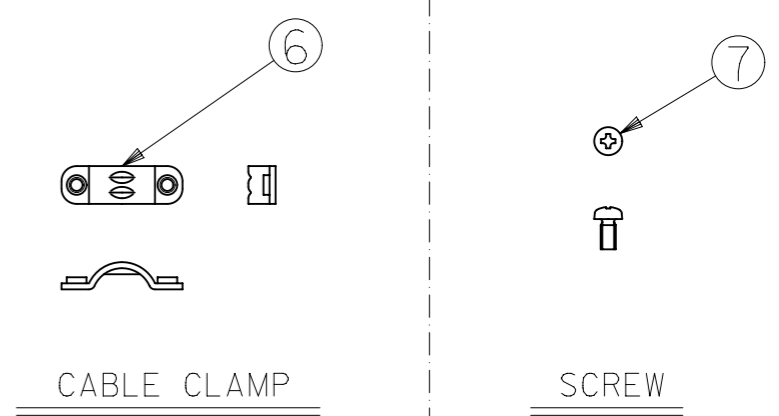
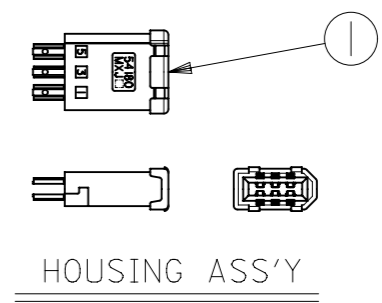
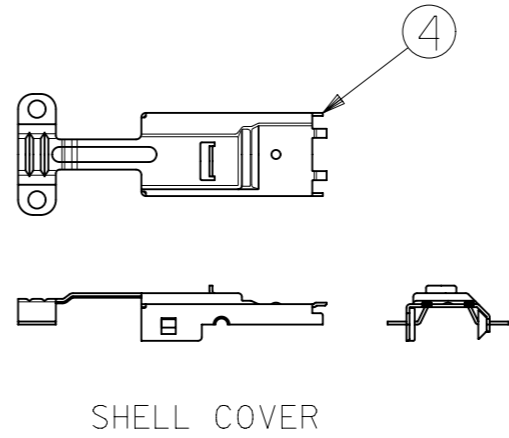
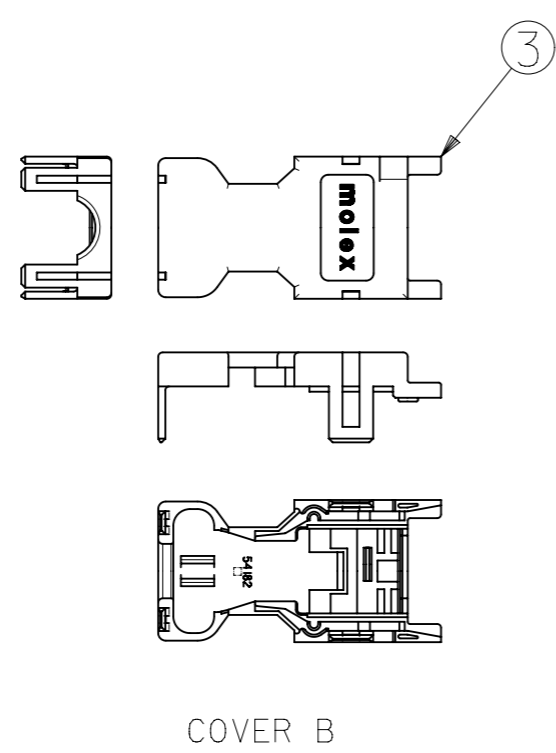
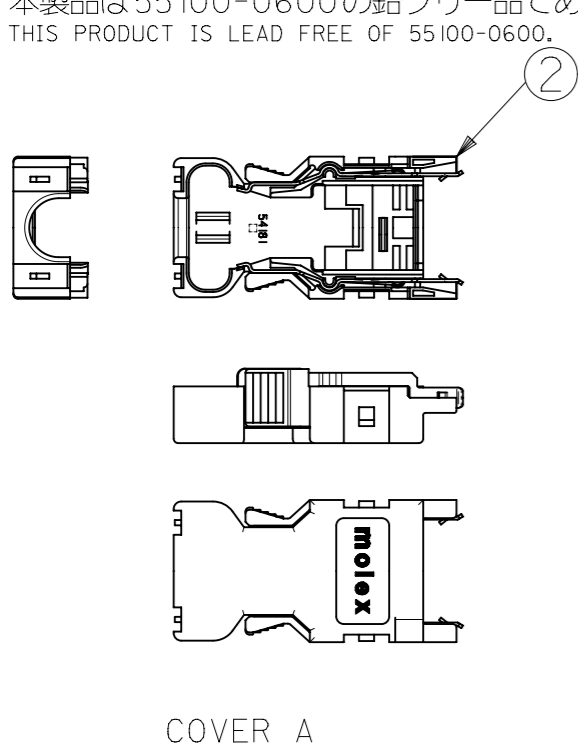
PRODUCT CUSTOMER DRAWING

SERIES	MATERIAL NUMBER	CUSTOMER	
54280	SEE IN FIGURE	GENERAL MARKET	
DOCUMENT NUMBER	DOC TYPE	DOC PART	SHEET NUMBER
SD-54280-011	PSD	001	1 OF 1

部品構成
PARTS CONSTRUCTION

部番 NO.	部品名 PART NAME	製品番号 ENG. NO.	個数 QUAN.	材質 MATERIAL
①	ハウジングアッセンブリ HOUSING ASS'Y	54180-0619	1	ハウジング：ガラス入り耐熱樹脂 UL94V-0 色：黒 HOUSING : G.F. HEAT RESISTANT PLASTIC UL94V-0 COLOR : BLACK ターミナル：りん青銅 t0.3 TERMINAL : PHOSPHOR BRONZE t0.3 メッキ仕様 接点部：ニッケル下地金メッキ PLATING CONTACT AREA : GOLD OVER NICKEL 結線部：ニッケル下地錫メッキ WIRE TERMINATION AREA : TIN OVER NICKEL
②	カバーA COVER A	54181-0615	1	カバーA：ガラス入りポリカーボネイト樹脂 COVER A : POLYCARBONATE G.F. UL94V-0 色：グレー UL94V-0 COLOR : GRAY スプリングラッチ：ステンレス鋼 t0.4 SPRING LATCH : STAINLESS STEEL t0.4
③	カバーB COVER B	54182-0605	1	ガラス入りポリカーボネイト樹脂 UL94V-0 色：グレー POLYCARBONATE G.F. UL94V-0 COLOR : GRAY
④	シエル カバー SHELL COVER	58299-0626	1	鋼 t0.4 STEEL t0.4
⑤	シエル ボディ SHELL BODY	58300-0626	1	メッキ仕様 : ニッケル下地、錫メッキ PLATING : NICKEL BASE , TIN PLATING
⑥	ケーブルクランプ CABLE CLAMP	58303-0000	1	ステンレス鋼 STAINLESS STEEL
⑦	十字穴付きなべ小ネジ CROSS RECESSED PAN HEAD MACHINE SCREW	59832-0009	2	黄銅(ネジサイズ:M2X4) BRASS (SCREW SIZE : M2X4)

NOTES:
本製品は55100-0600の鉛フリー品である
THIS PRODUCT IS LEAD FREE OF 55100-0600.



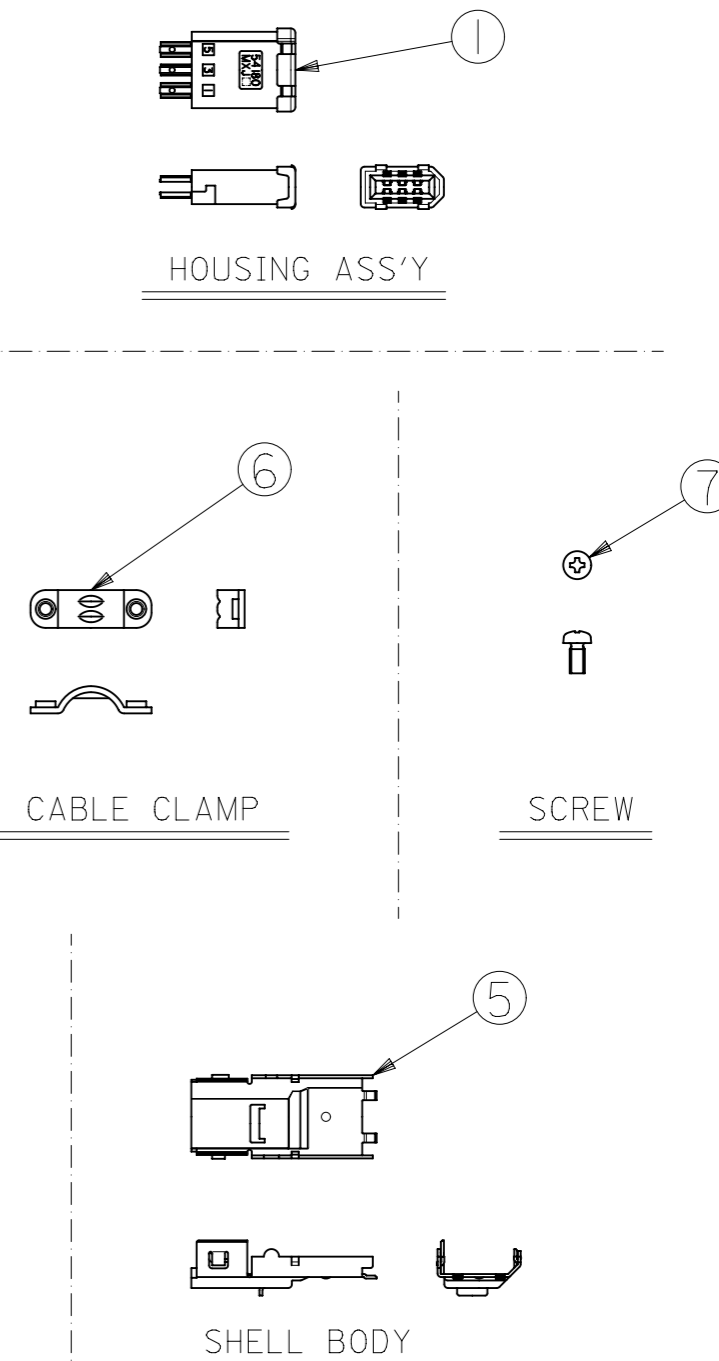
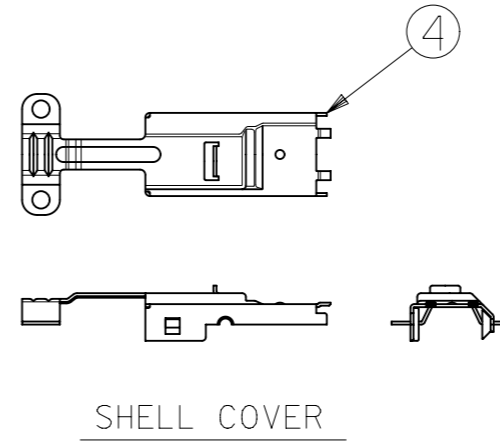
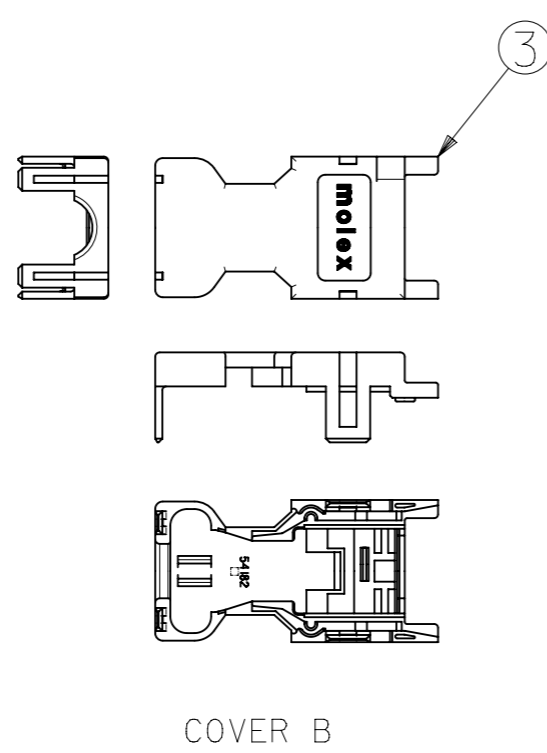
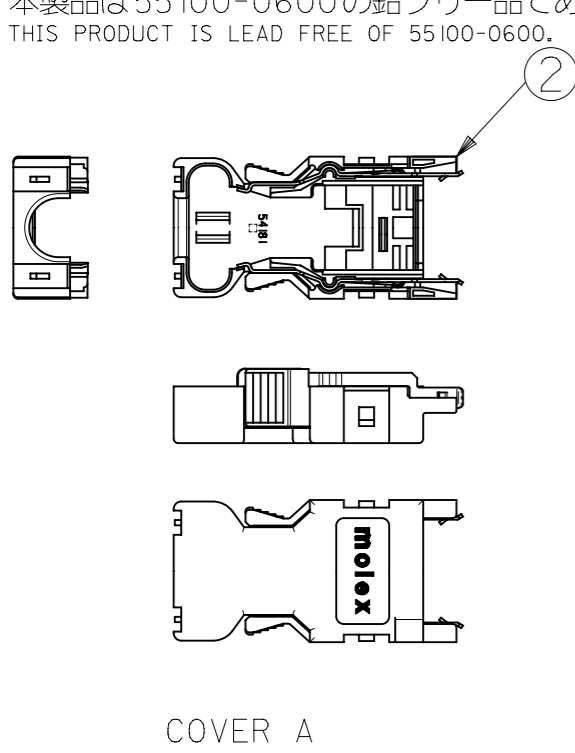
GRAY	TRAY & POLY BAG	55100-0680	55100-***0
	POLY BAG	55100-0670	
COVER COLOR	PACKAGE METHOD	MATERIAL No.	MODEL No.

THIS DRAWING CONTAINS INFORMATION THAT IS PROPRIETARY TO MOLEX ELECTRONIC TECHNOLOGIES, LLC AND SHOULD NOT BE USED WITHOUT WRITTEN PERMISSION				CURRENT REV DESC:				molex			
DIMENSION UNITS		SCALE									
mm		NTS		DRWN: KTAKEUCHI01		2019/11/02		PRODUCT CUSTOMER DRAWING			
GENERAL TOLERANCES (UNLESS SPECIFIED)				CHK'D: TKON		2019/11/19		DOCUMENT NUMBER			
ANGULAR TOL ±		°		APPR: ASHIMOTSU		2019/11/19		SD-55100-004			
4 PLACES ±				INITIAL REVISION:		DRWN: HKAWABATA		DOC TYPE			
3 PLACES ±				DRWN: MSASAO		2004/05/21		DOC PART			
2 PLACES ±				APPR: MSASAO		2004/05/21		REVISION			
1 PLACE ±				DRAFT WHERE APPLICABLE MUST REMAIN WITHIN DIMENSIONS		THIRD ANGLE PROJECTION		SHEET NUMBER			
0 PLACES ±				DRAWING		SERIES		MATERIAL NUMBER			
				A3-SIZE		55100		CUSTOMER			
								GENERAL MARKET			
								1 OF 2			

部品構成
PARTS CONSTRUCTION

部番 NO.	部品名 PART NAME	製品番号 ENG. NO.	個数 QUAN.	材質 MATERIAL
①	ハウジングアッセンブリ HOUSING ASS'Y	54180-0619	1	ハウジング：ガラス入り耐熱樹脂 UL94V-0 色：黒 HOUSING : G.F. HEAT RESISTANT PLASTIC UL94V-0 COLOR : BLACK ターミナル：りん青銅 t0.3 TERMINAL : PHOSPHOR BRONZE t0.3 メッキ仕様 接点部：ニッケル下地金メッキ PLATING CONTACT AREA : GOLD OVER NICKEL 結線部：ニッケル下地錫メッキ WIRE TERMINATION AREA : TIN OVER NICKEL
②	カバーA COVER A	54181-0616	1	カバーA：ガラス入りポリカーボネイト樹脂 COVER A : POLYCARBONATE G.F. UL94V-0 色：黒 UL94V-0 COLOR : BLACK スプリングラッチ：ステンレス鋼 t0.4 SPRING LATCH : STAINLESS STEEL t0.4
③	カバーB COVER B	54182-0606	1	ガラス入りポリカーボネイト樹脂 UL94V-0 色：黒 POLYCARBONATE G.F. UL94V-0 COLOR : BLACK
④	シエル カバー SHELL COVER	58299-0626	1	鋼 t0.4 STEEL t0.4
⑤	シエル ボディ SHELL BODY	58300-0626	1	メッキ仕様 : ニッケル下地、錫メッキ PLATING : NICKEL BASE , TIN PLATING
⑥	ケーブルクランプ CABLE CLAMP	58303-0000	1	ステンレス鋼 STAINLESS STEEL
⑦	十字穴付きなべ小ネジ CROSS RECESSED PAN HEAD MACHINE SCREW	59832-0009	2	黄銅(ネジサイズ:M2X4) BRASS (SCREW SIZE : M2X4)

NOTES:
本製品は55100-0600の鉛フリー品である
THIS PRODUCT IS LEAD FREE OF 55100-0600.



BLACK	POLY BAG	55100-0671	55100-***1
COVER COLOR	PACKAGE METHOD	MATERIAL No.	MODEL No.

DIMENSION UNITS		SCALE		CURRENT REV DESC:				molex			
mm	NTS			EC NO: 627599				2.0 I/O CONN.PLUG SET			
GENERAL TOLERANCES (UNLESS SPECIFIED)				DRWN: KTAKEUCHI01 2019/10/02				PRODUCT CUSTOMER DRAWING			
ANGULAR TOL ± °				CHK'D: TKON 2019/11/19				DOCUMENT NUMBER			
4 PLACES ±				APPR: ASHIMOTSU 2019/11/19				SD-55100-004			
3 PLACES ±				INITIAL REVISION:				DOC TYPE DOC PART REVISION			
2 PLACES ±				DRWN: HKAWABATA 2004/05/21				PSD 001 C			
1 PLACE ±				APPR: MSASAO 2004/05/21				MATERIAL NUMBER CUSTOMER SHEET NUMBER			
0 PLACES ±				DRAWING SERIES				SEE TABLE GENERAL MARKET 2 OF 2			
DRAFT WHERE APPLICABLE MUST REMAIN WITHIN DIMENSIONS				THIRD ANGLE PROJECTION							

单击下面可查看定价，库存，交付和生命周期等信息

[>>MOLEX](#)