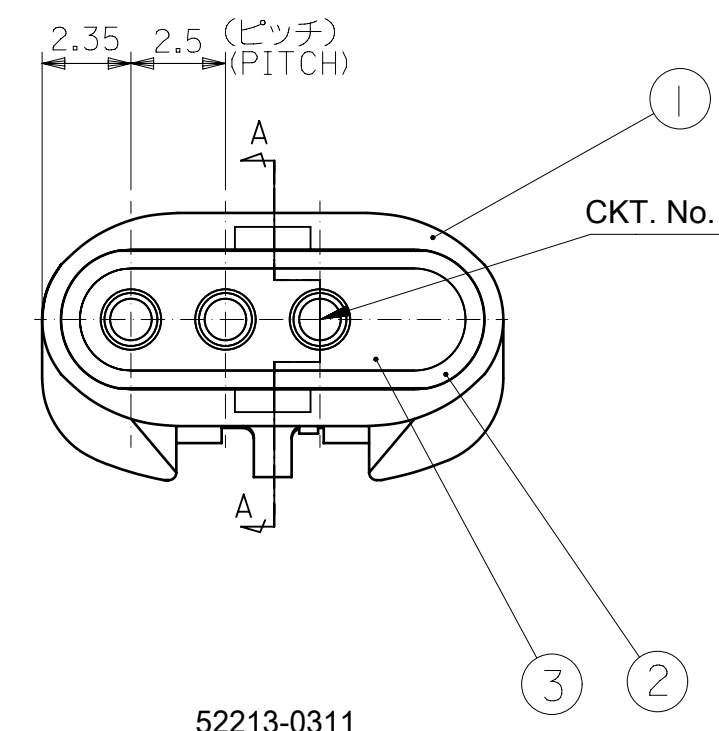
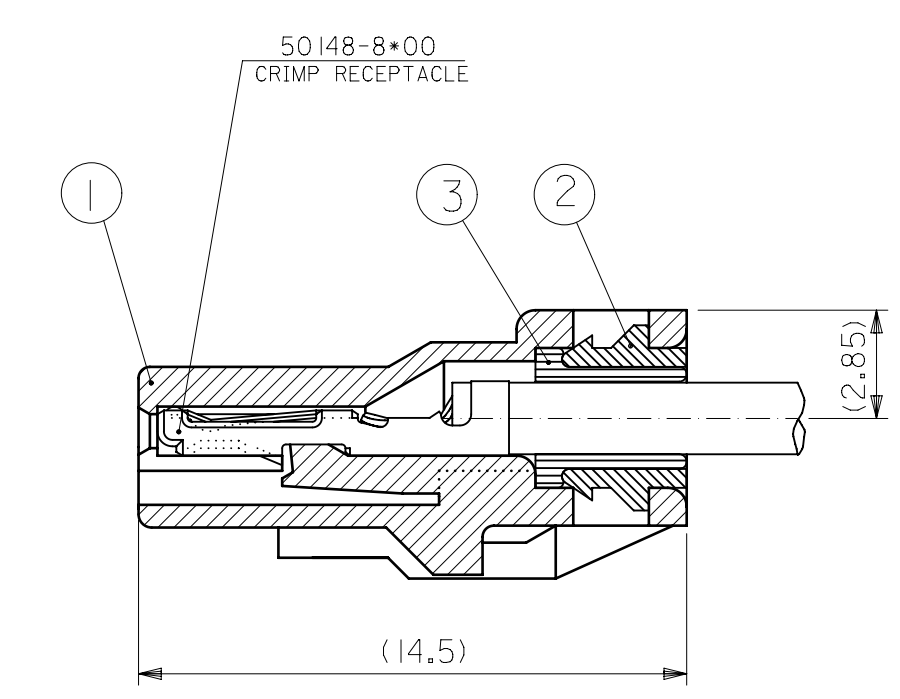


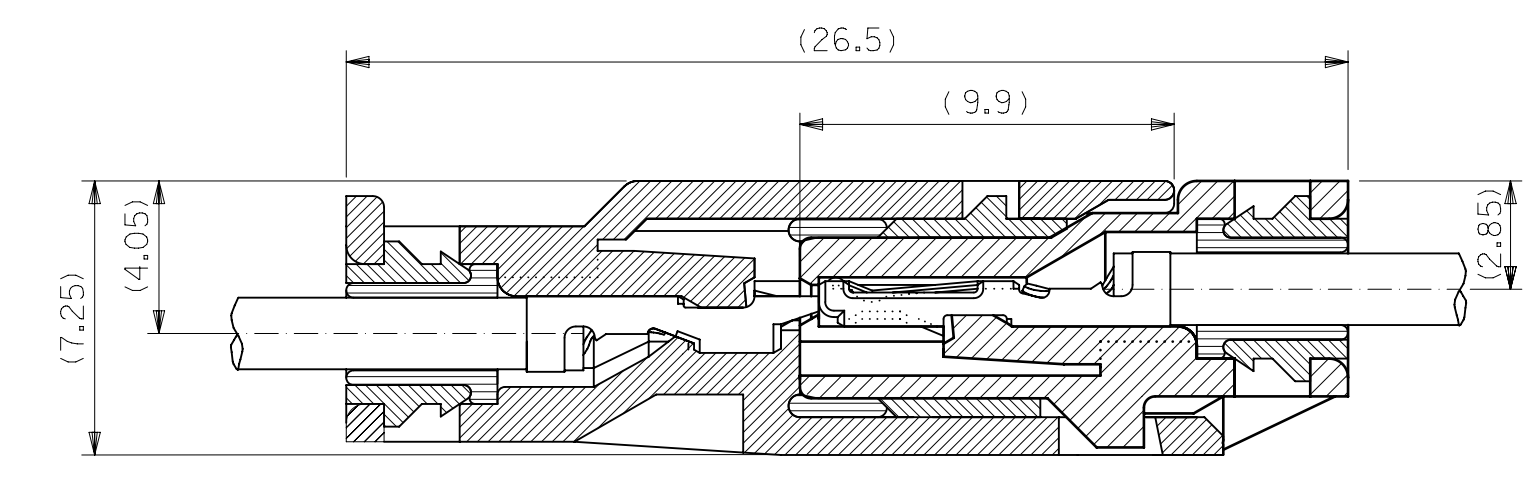
52213-041*



52213-0311



端子装着時の断面 A-A
SECT.A-A TERM.ASSEMBLY DRAWING



嵌合状態図
FULLY MATED CONDITION

- 注記
NOTE
- 適合端子 : 50148-8*00
APPLICABLE TERMINAL : 50148-8*00
 - 嵌合相手 : 52266-**1*
MATES WITH : 52266-**1*
 - 製品仕様書 : PS-52213-003
PRODUCT SPECIFICATION : PS-52213-003
 - 取扱説明書 : AS-52213-001
APPLICATION SPECIFICATION : AS-52213-001

茶 BROWN	52213-0417	4
青 BLUE	52213-0414	4
黒 BLACK	52213-0411	4
白 WHITE	52213-0410	4
黒 BLACK	52213-0311	3
ハウジングの色 HOUSING COLOR	製品番号 MATERIAL NO.	極数 NO. OF CKT.

シリコンゴム SILICONE	青 BLUE	ワイヤーエンドシール WIRE END SEAL	③
ポリエステル (15%G.F.) POLYESTER (15%G.F.)	灰 GRAY	キャップ CAP	②
ポリエステル (15%G.F.) POLYESTER (15%G.F.)	表参照 SEE CHART	レセプタクルハウジング RECEPTACLE HOUSING	①
材料 MATERIAL	色 COLOR	名称 TITLE	

DOCUMENT STATUS	P1	RELEASE DATE	2018/12/06	21:38:35
-----------------	----	--------------	------------	----------

THIS DRAWING CONTAINS INFORMATION THAT IS PROPRIETARY TO MOLEX ELECTRONIC TECHNOLOGIES, LLC AND SHOULD NOT BE USED WITHOUT WRITTEN PERMISSION

DIMENSION UNITS	SCALE	CURRENT REV DESC:
mm	5:1	
GENERAL TOLERANCES (UNLESS SPECIFIED)	GENERAL TOLERANCES (UNLESS SPECIFIED)	EC NO: 608579
10 UNDER ±0.2	ANGULAR TOL ± 3.0°	DRWN: MSATO08 2018/12/04
10 OVER 30 UNDER ±0.25	4 PLACES ± 0.2	CHK'D: HKOMATSU 2018/12/05
30 OVER ±0.3	3 PLACES ± 0.25	APPR: TOSADA 2018/12/06
ANGULAR ±3°	2 PLACES ± 0.3	INITIAL REVISION:
	1 PLACE ±	DRWN: SKATAOKA 2006/09/21
	0 PLACES ±	APPR: NUKITA 2006/09/26
INITIAL REVISION:	DRAFT WHERE APPLICABLE MUST REMAIN WITHIN DIMENSIONS	THIRD ANGLE PROJECTION
DRWN S.KATAOKA 2006/09/11		DRAWING SERIES
CHECK K.TOYODA 2006/09/11		A2-SIZE 52213
APPR N.UKITA 2006/09/11		MATERIAL NUMBER CUSTOMER SHEET NUMBER
		SEE CHART GENERAL MARKET 1 OF 1

molex

2.5 MINI WATERPROOF
CONN REC HSG ASSY (3 AND 4 CKT.)

PRODUCT CUSTOMER DRAWING

DOCUMENT NUMBER: SD-52213-001 DOC TYPE: PSD DOC PART: 001 REVISION: A3

单击下面可查看定价，库存，交付和生命周期等信息

[>>MOLEX](#)