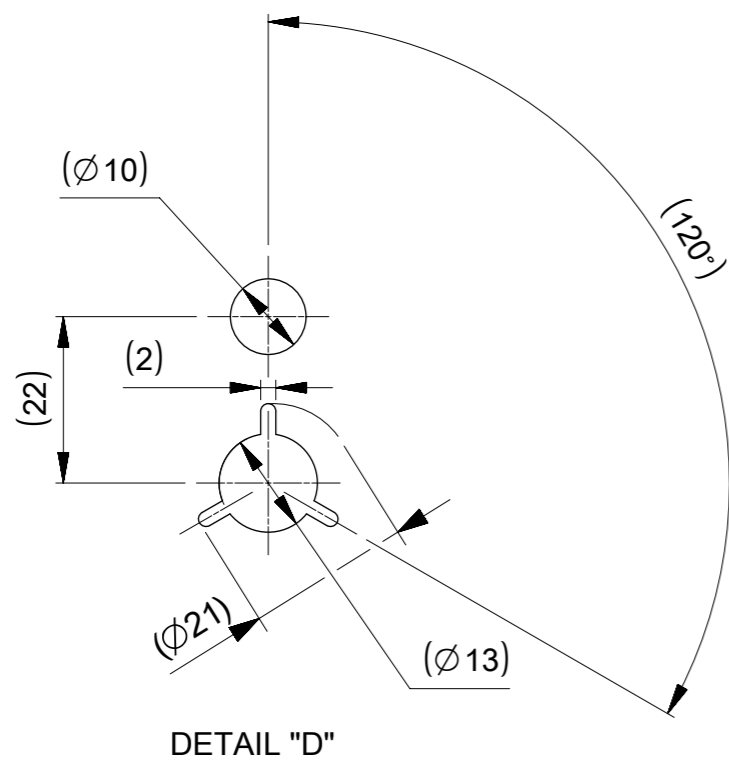
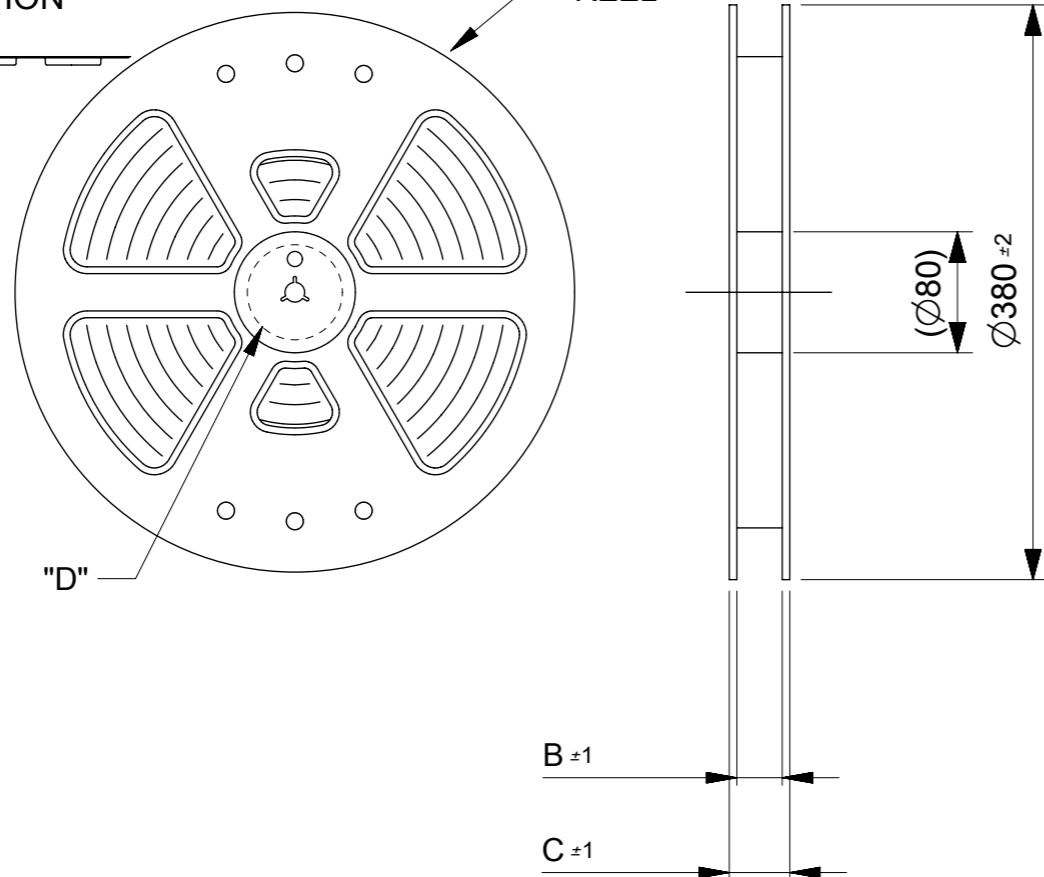


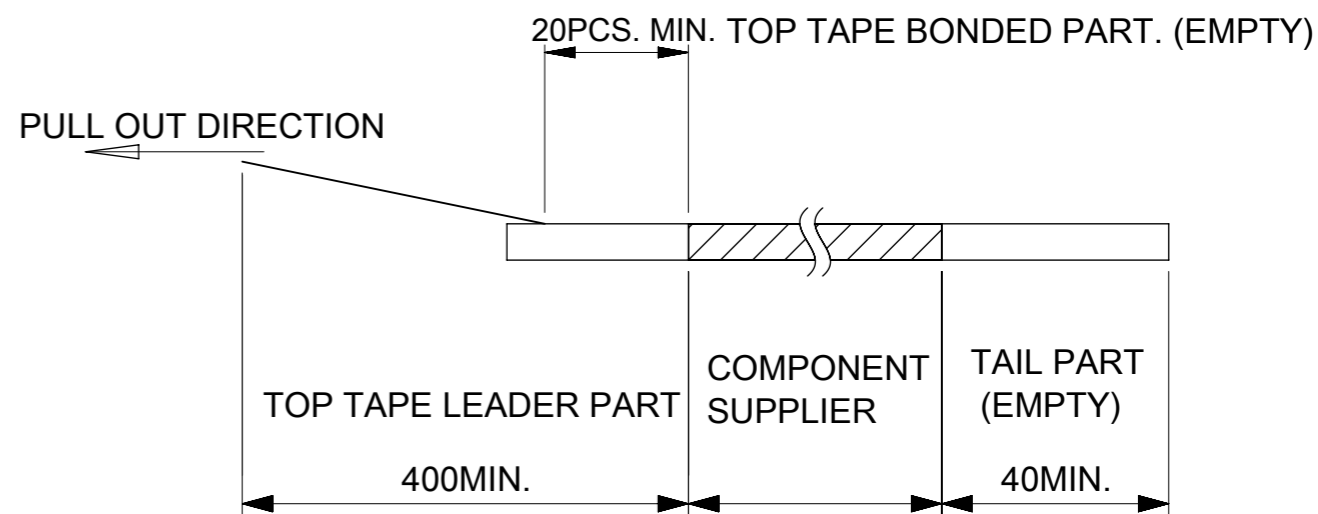
PULL OUT DIRECTION

REEL



NOTES

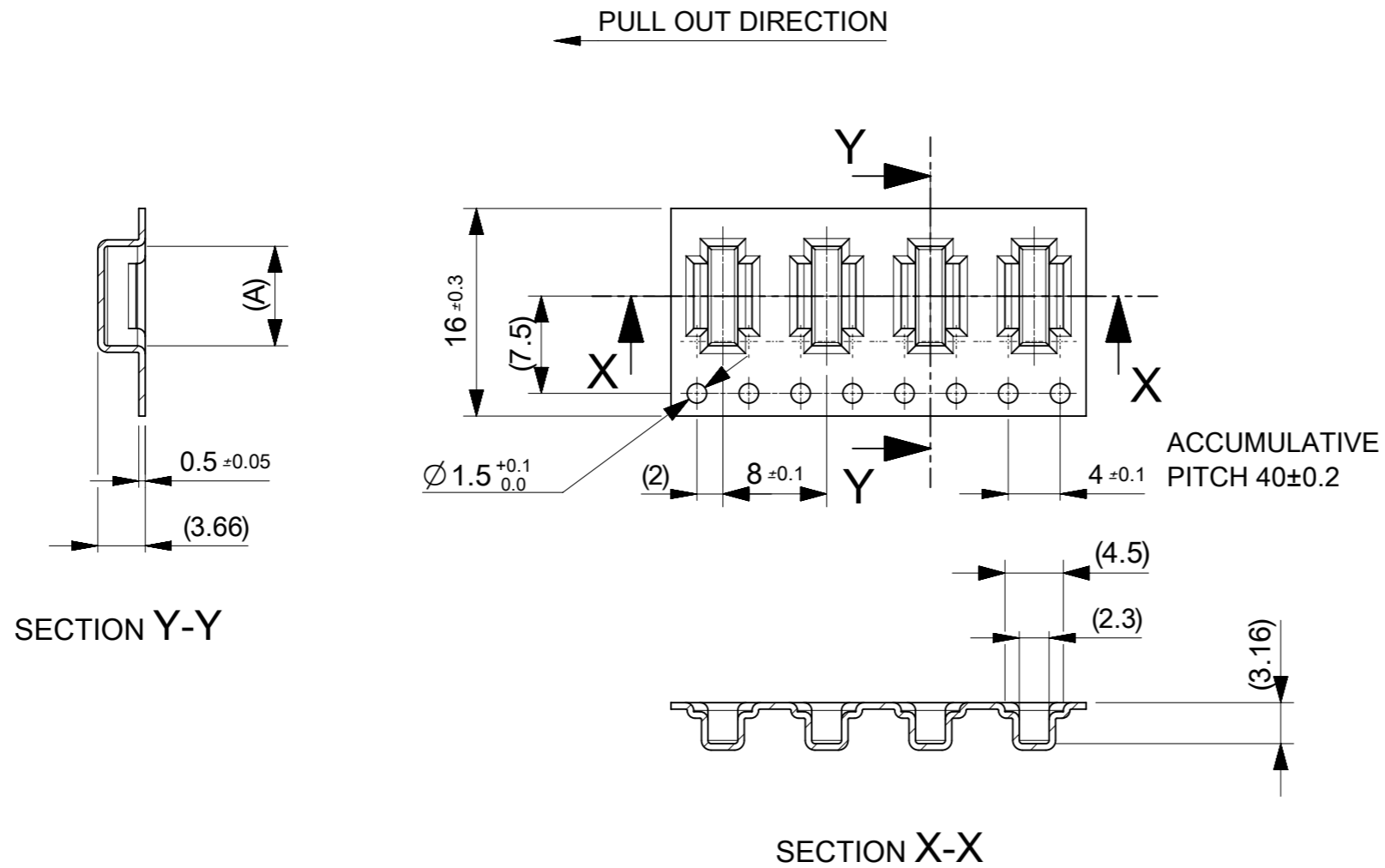
1. DETAIL DIMENSION, SEE PRODUCT DRAWING.
2. NUMBER OF CONNECTORS : 3300 PCS/REEL.  
NUMBER OF DELIVERY UNIT : 20,30 CKT. 13200 PCS/CARTON.  
40~60 CKT. 9900 PCS/CARTON.
3. LEAD TAPE LENGTH.



4. TOP TAPE PEEL FORCE IS DEFINED BY IEC60286-3
5. MATERIAL  
CARRER TAPE :POLYSTYRENE  
TOP TAPE :PET , OTHER  
REEL :POLYSTYRENE(PS)(RECYCLE MATERIAL CONTAINED)
6. ELV AND RoHS COMPLIANT

MODEL NO. 2039550\*\*2  
2039550\*\*3

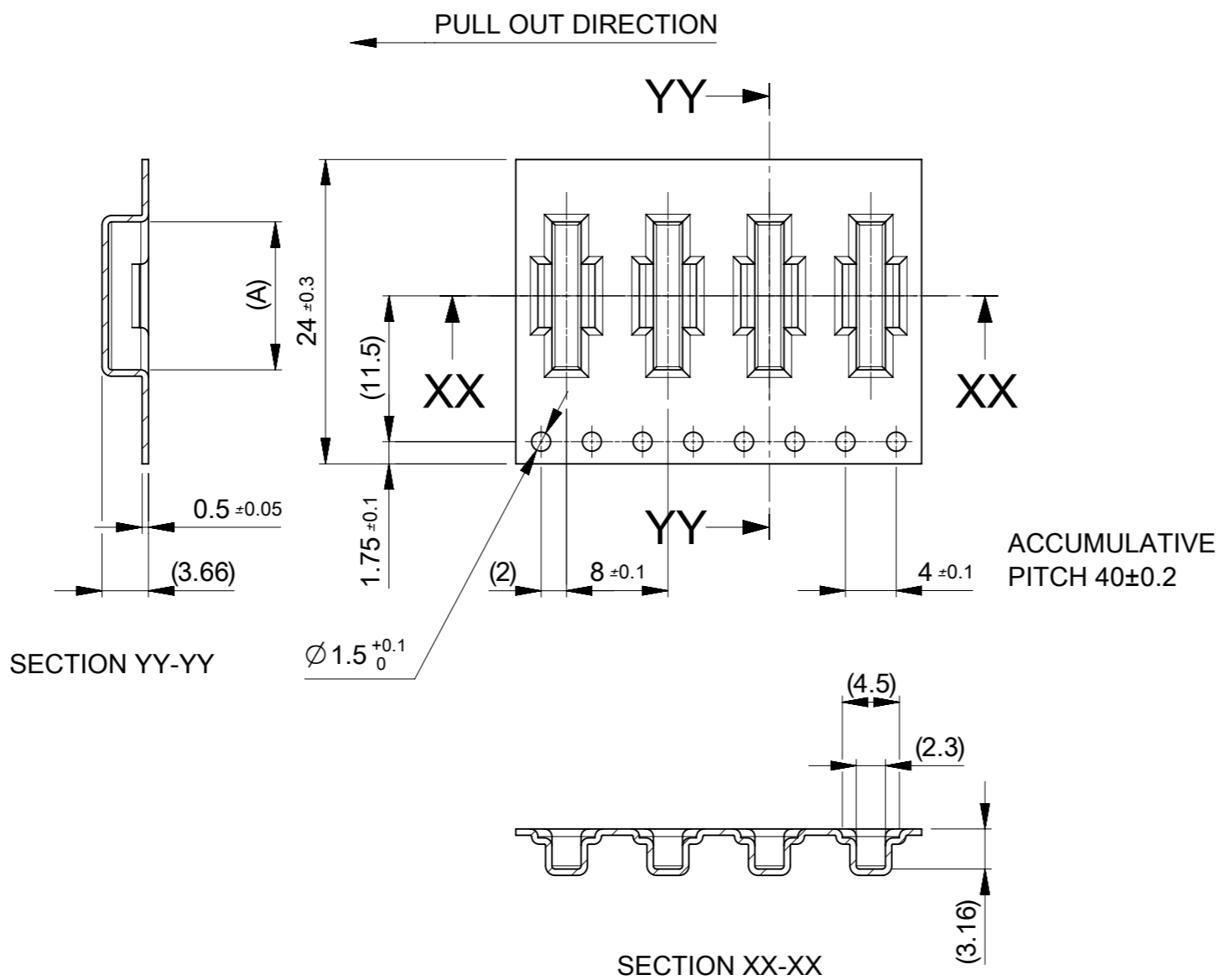
THIS DRAWING CONTAINS INFORMATION THAT IS PROPRIETARY TO MOLEX ELECTRONIC TECHNOLOGIES, LLC AND SHOULD NOT BE USED WITHOUT WRITTEN PERMISSION		CURRENT REV DESC:		<b>molex</b>		
DIMENSION UNITS	SCALE	EC NO: 623405				
mm	1:1	DRWN: JFURUKAWA 2019/09/02		PRODUCT CUSTOMER DRAWING		
GENERAL TOLERANCES (UNLESS SPECIFIED)		CHK'D: YNAITO 2019/09/18		DOCUMENT NUMBER		
ANGULAR TOL	± °	APPR: RTAKEUCHI 2019/09/18		2039550000		DOC TYPE
4 PLACES	±	INITIAL REVISION:		PSD	002	REVISION
3 PLACES	±	DRWN: YSEKI01 2019/07/09		B		
2 PLACES	±	APPR: RTAKEUCHI 2019/07/16		SHEET NUMBER		
1 PLACE	±	THIRD ANGLE PROJECTION	DRAWING	SERIES	MATERIAL NUMBER	CUSTOMER
0 PLACES	±	⊕	A3-SIZE	203955	SEE CHART	GENERAL
DRAFT WHERE APPLICABLE MUST REMAIN WITHIN DIMENSIONS						1 OF 3



16	21.4	17.4	7.67	2039550302	2039550303	○	---	30
			5.67	2039550202	2039550203	○	---	20
キャリアテープ幅 CARRIER TAPE WIDTH	C	B	(A)	WITHOUT COVER TAPE	WITH COVER TAPE	HIGH VOL. TOOL	LOW VOL. TOOL	CIRCUIT
				MATERIAL No.		SAMPLE PREPARATION		

THIS DRAWING CONTAINS INFORMATION THAT IS PROPRIETARY TO MOLEX ELECTRONIC TECHNOLOGIES, LLC AND SHOULD NOT BE USED WITHOUT WRITTEN PERMISSION

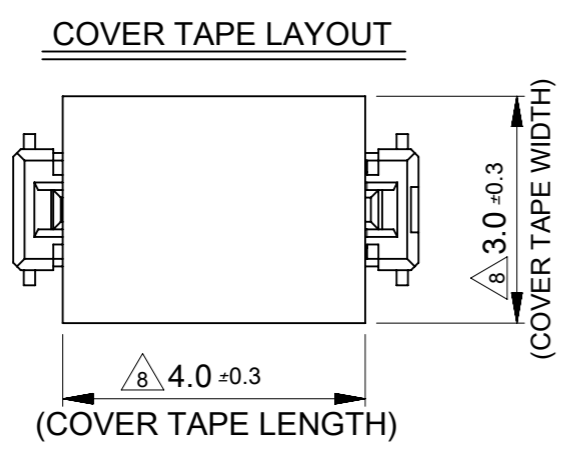
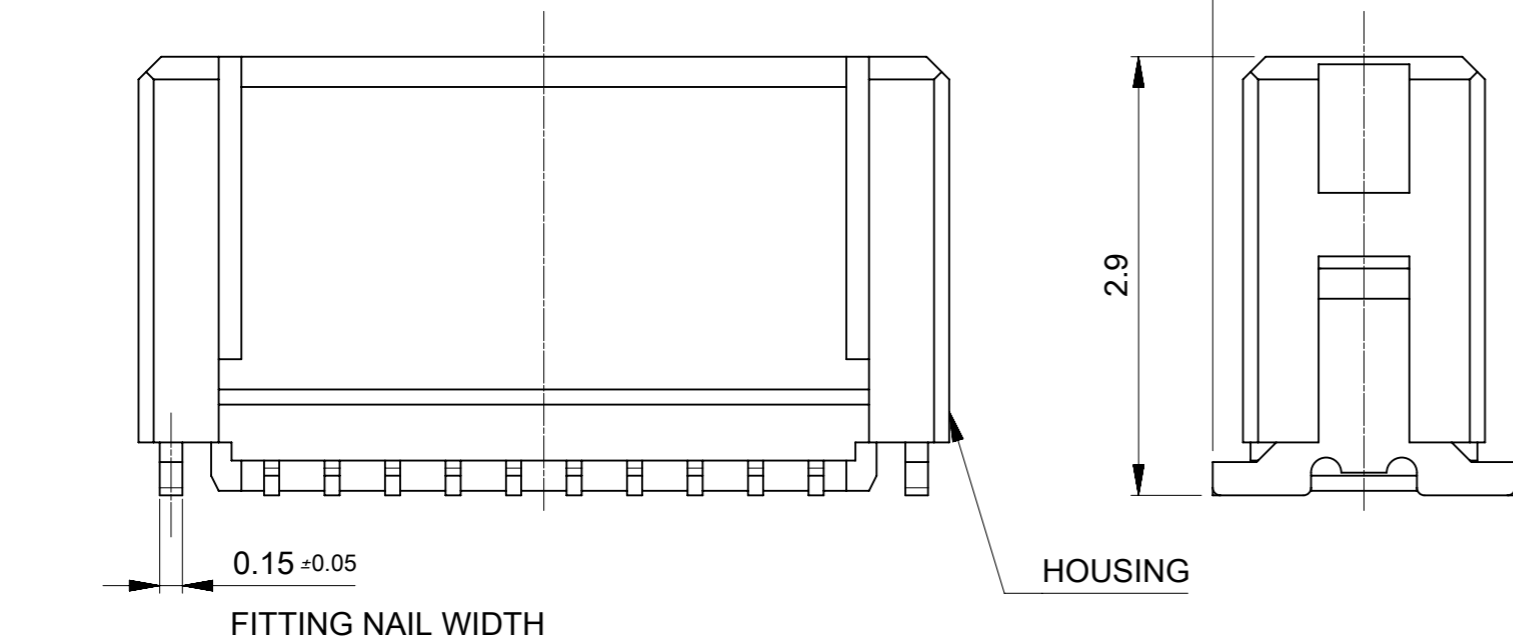
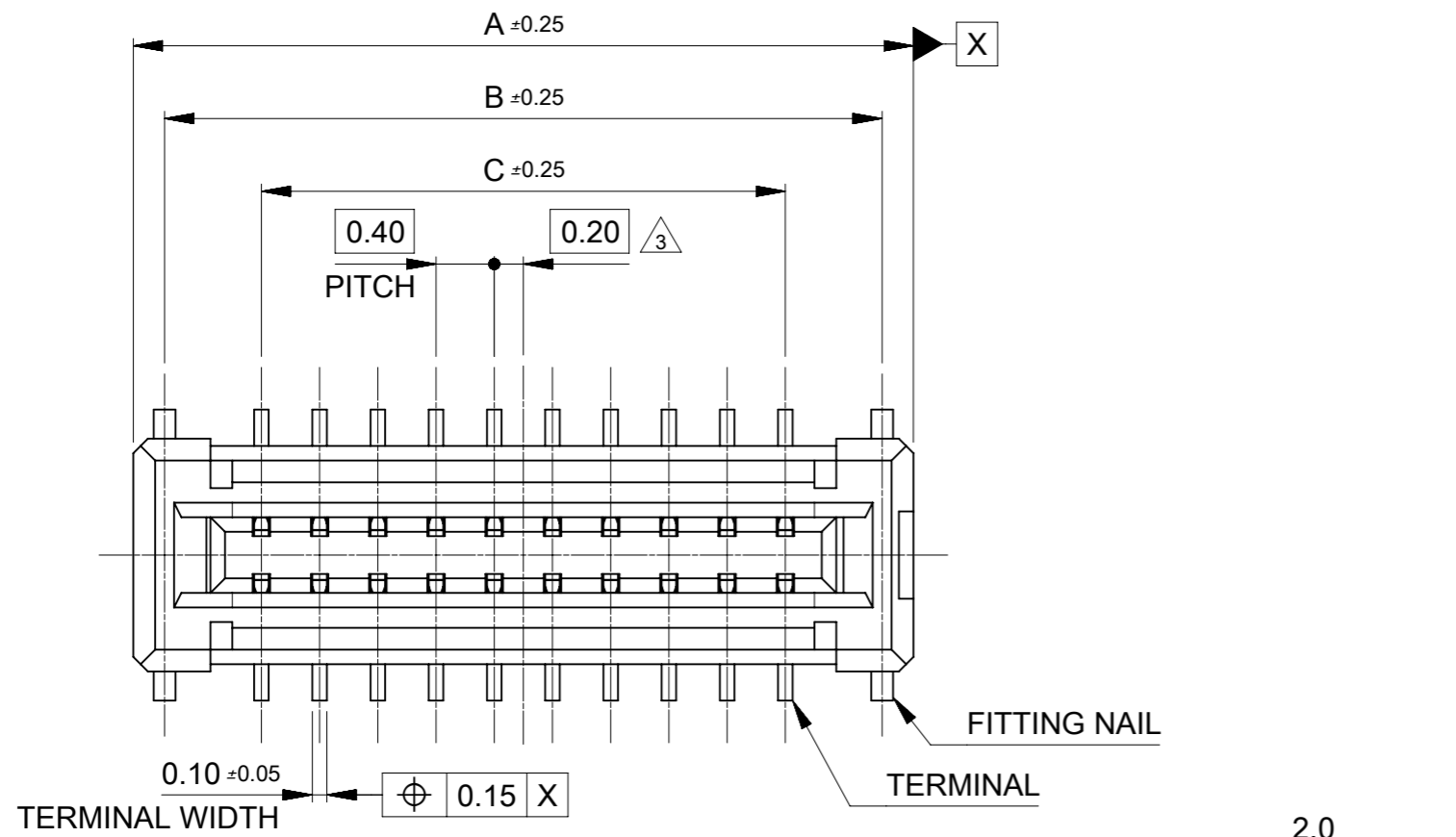
DIMENSION UNITS mm	SCALE 2:1	CURRENT REV DESC:			<b>molex</b>		
GENERAL TOLERANCES (UNLESS SPECIFIED)		EC NO: 623405					
ANGULAR TOL ± °		DRWN: JFURUKAWA 2019/09/02			PRODUCT CUSTOMER DRAWING		
4 PLACES ±		CHK'D: YNAITO 2019/09/18			DOCUMENT NUMBER		
3 PLACES ±		APPR: RTAKEUCHI 2019/09/18			2039550000		
2 PLACES ±		INITIAL REVISION:			DOC TYPE	DOC PART	REVISION
1 PLACE ±		DRWN: YSEKI01 2019/07/09			PSD	002	B
0 PLACES ±		APPR: RTAKEUCHI 2019/07/16					
DRAFT WHERE APPLICABLE MUST REMAIN WITHIN DIMENSIONS	THIRD ANGLE PROJECTION	DRAWING	SERIES	MATERIAL NUMBER	CUSTOMER	SHEET NUMBER	
		A3-SIZE	203955	SEE CHART	GENERAL	2 OF 3	



24	29.4	25.4	13.67	2039550602	2039550603	○	---	60
			11.67	2039550502	2039550503	○	---	50
			9.67	2039550402	2039550403	○	---	40
キャリアテープ幅 CARRIER TAPE WIDTH	C	B	(A)	WITHOUT COVER TAPE	WITH COVER TAPE	HIGH VOL. TOOL	LOW VOL. TOOL	CIRCUIT
				MATERIAL No.		SAMPLE PREPARATION		

THIS DRAWING CONTAINS INFORMATION THAT IS PROPRIETARY TO MOLEX ELECTRONIC TECHNOLOGIES, LLC AND SHOULD NOT BE USED WITHOUT WRITTEN PERMISSION

DIMENSION UNITS mm	SCALE 2:1	CURRENT REV DESC:			<b>molex</b>		
GENERAL TOLERANCES (UNLESS SPECIFIED)		EC NO: 623405					
ANGULAR TOL ± °		DRWN: JFURUKAWA 2019/09/02			PRODUCT CUSTOMER DRAWING		
4 PLACES ±		CHK'D: YNAITO 2019/09/18			DOCUMENT NUMBER		
3 PLACES ±		APPR: RTAKEUCHI 2019/09/18			2039550000		
2 PLACES ±		INITIAL REVISION:			DOC TYPE	DOC PART	REVISION
1 PLACE ±		DRWN: YSEKI01 2019/07/09			PSD	002	B
0 PLACES ±		APPR: RTAKEUCHI 2019/07/16			SHEET NUMBER		
DRAFT WHERE APPLICABLE MUST REMAIN WITHIN DIMENSIONS	THIRD ANGLE PROJECTION	DRAWING	SERIES	MATERIAL NUMBER	CUSTOMER	SHEET NUMBER	
		A3-SIZE	203955	SEE CHART	GENERAL	3 OF 3	



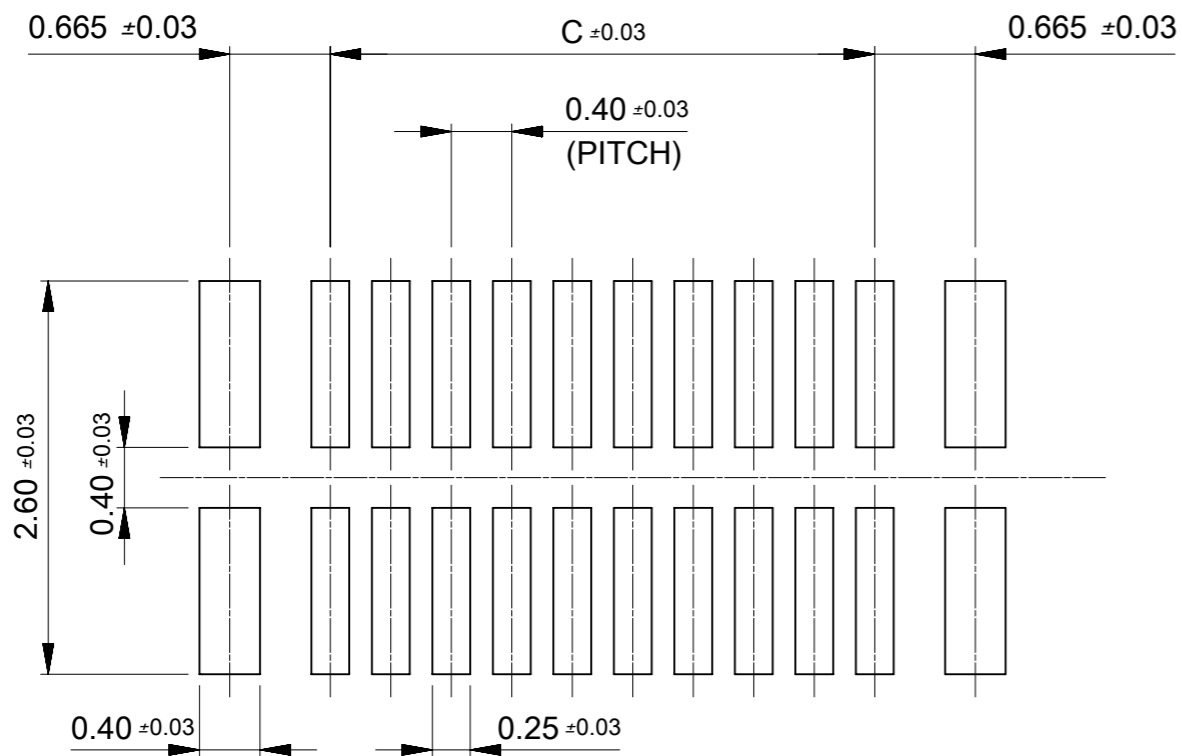
- 1 MATERIAL  
 WAFER: LIQUID CRYSTAL POLYMER UL94V-0 (COLOR : BLACK)  
 TERMINAL: COPPER ALLOY  
 FITTING NAIL: COPPER ALLOY  
 COVER TAPE: POLYIMIDE
- 2 PLATING  
 TERMINAL :  
 CONTACT AREA: GOLD PLATING.  
 SOLDER TAIL AREA: GOLD PLATING.  
 UNDERPLATE: NICKEL OVERALL.  
 FITTING NAIL:  
 SURFACE: TIN OVERALL  
 UNDERPLATE: NICKEL OVERALL.
- △3 APPLY FOR (CIRCUIT/2)=EVEN.
- 4 MATE WITH :203956\*\*\*\*
- 5 TAIL COPLANARITY TO BE 0.1 MAXIMUM.
- 6 ELV and RoHS COMPLIANT.
- △7 STACK HEIGHT IS KEPT FIXDLY BY A SPACER.
- △8 ALL CIRCUIT IS COMMON LENGTH.

11.6	12.93	13.36	2039550602	2039550603	○	---	60
9.6	10.93	11.36	2039550502	2039550503	○	---	50
7.6	8.93	9.36	2039550402	2039550403	○	---	40
5.6	6.93	7.36	2039550302	2039550303	○	---	30
3.6	4.93	5.36	2039550202	2039550203	○	---	20
C	B	A	WITHOUT COVER TAPE	WITH COVER TAPE	HIGH VOL. TOOL	LOW VOL. TOOL	CIRCUIT
EMBOSSED TAPE PACKAGE ORDER NO.					SAMPLE PREPARATION ○ : TOOLED △ : WORK IN PROCESS ---: TOOLING TO BE CONFIRMED		

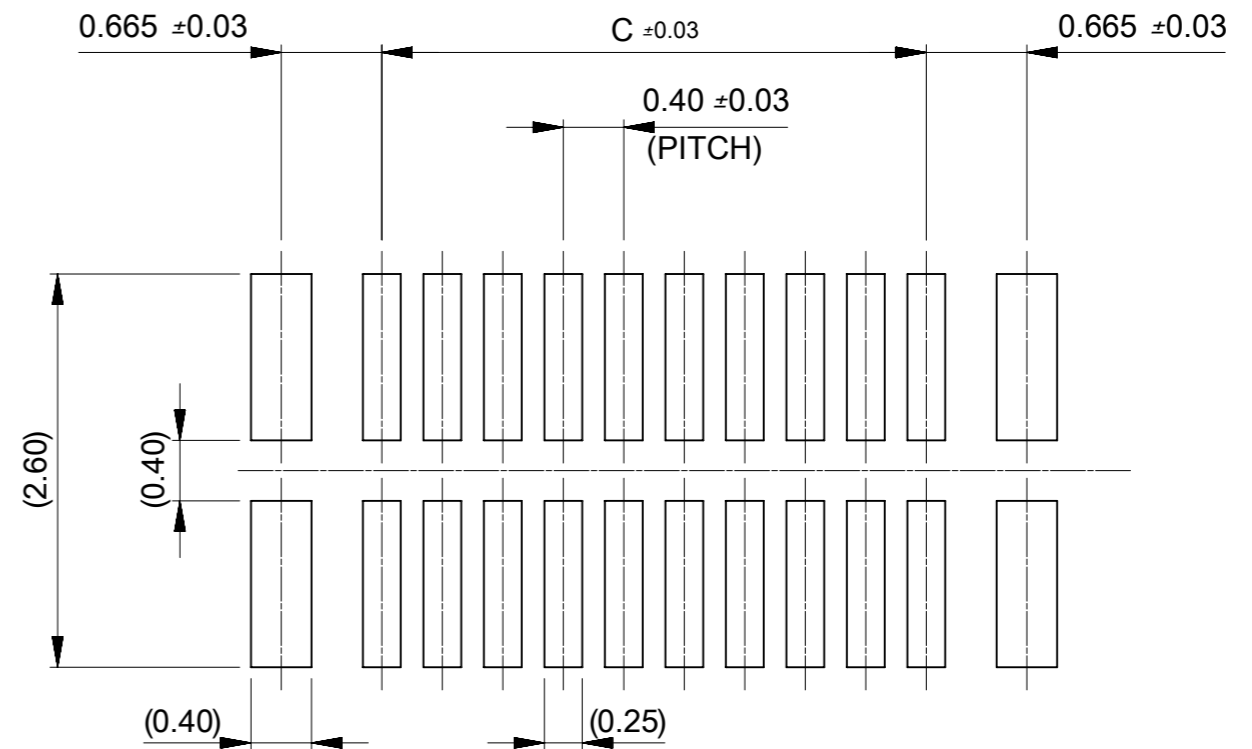
CONNECTOR SERIES NO. : 2039551\*\*1 (WITH COVER TAPE)  
 2039551\*\*2 (WITHOUT COVER TAPE)

THIS DRAWING CONTAINS INFORMATION THAT IS PROPRIETARY TO MOLEX ELECTRONIC TECHNOLOGIES, LLC AND SHOULD NOT BE USED WITHOUT WRITTEN PERMISSION

DIMENSION UNITS	SCALE	CURRENT REV DESC: RELEASED		<b>molex</b>			
mm	20:1						
GENERAL TOLERANCES (UNLESS SPECIFIED)				0.4 FLOATING BB CONN. H=5 REC ASSY			
ANGULAR TOL	± 1.0°	EC NO: 623405		PRODUCT CUSTOMER DRAWING			
4 PLACES	± 0.2	DRWN: JFURUKAWA 2019/09/02		DOCUMENT NUMBER			
3 PLACES	± 0.2	CHK'D: YNAITO 2019/09/18		2039551000-SD			
2 PLACES	± 0.2	APPR: RTAKEUCHI 2019/09/18		DOC TYPE DOC PART REVISION			
1 PLACE	± 0.2	INITIAL REVISION:		PSD 000 B			
0 PLACES	± 0.2	DRWN: YSEKI01 2019/07/30		MATERIAL NUMBER			
DRAFT WHERE APPLICABLE MUST REMAIN WITHIN DIMENSIONS		APPR: RTAKEUCHI 2019/08/01		CUSTOMER			
THIRD ANGLE PROJECTION		DRAWING		SERIES		SHEET NUMBER	
A3-SIZE		203955		SEE CHART		GENERAL 1 OF 2	

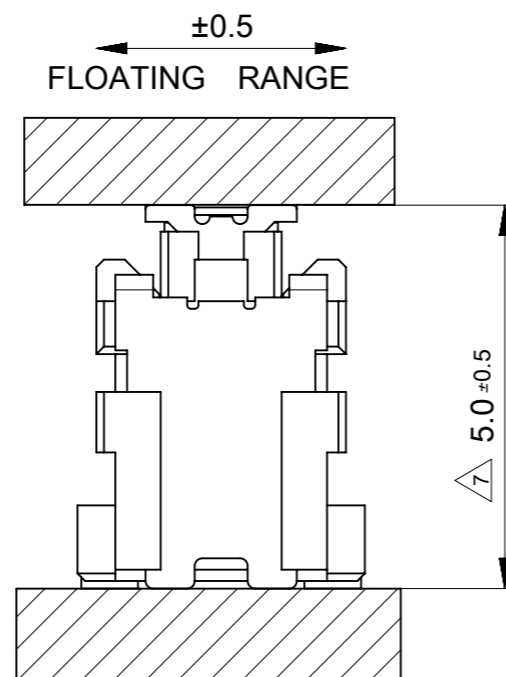
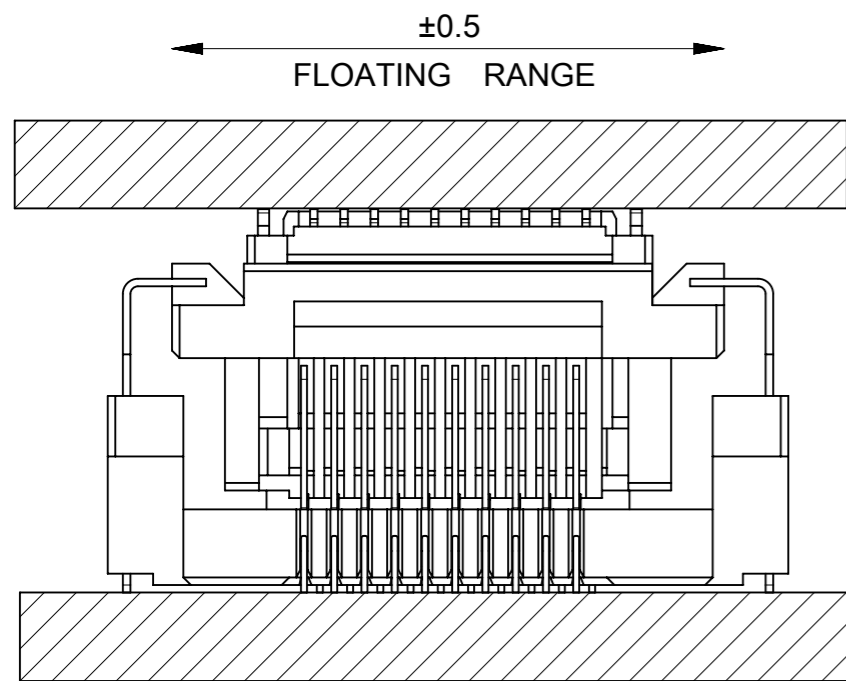


RECOMMENDED P.W.BOARD PATTERN LAYOUT(REFERENCE)



RECOMMENDED METAL MASK LAYOUT(REFERENCE)

RECOMMENDED THICKNESS OF METAL MASK : t=0.1mm  
 RECOMMENDED OPEN APERTURE RATIO OF METAL MASK : 100%



THIS DRAWING CONTAINS INFORMATION THAT IS PROPRIETARY TO MOLEX ELECTRONIC TECHNOLOGIES, LLC AND SHOULD NOT BE USED WITHOUT WRITTEN PERMISSION									
DIMENSION UNITS		SCALE		CURRENT REV DESC: RELEASED				<b>molex</b>	
mm		20:1							
GENERAL TOLERANCES (UNLESS SPECIFIED)									
ANGULAR TOL ± 1.0°									
4 PLACES ± 0.2									
3 PLACES ± 0.2									
2 PLACES ± 0.2									
1 PLACE ± 0.2									
0 PLACES ± 0.2									
DRAFT WHERE APPLICABLE MUST REMAIN WITHIN DIMENSIONS									
THIRD ANGLE PROJECTION		DRAWING		SERIES		MATERIAL NUMBER		CUSTOMER	
		A3-SIZE		203955		SEE CHART		GENERAL	
EC NO: 623405				2019/09/02		2039551000-SD		PSD 000 B	
DRWN: JFURUKAWA				2019/09/18		2039551000-SD		PSD 000 B	
CHK'D: YNAITO				2019/09/18		2039551000-SD		PSD 000 B	
APPR: RTAKEUCHI				2019/09/18		2039551000-SD		PSD 000 B	
INITIAL REVISION:				2019/07/30		2039551000-SD		PSD 000 B	
DRWN: YSEKI01				2019/08/01		2039551000-SD		PSD 000 B	
APPR: RTAKEUCHI				2019/08/01		2039551000-SD		PSD 000 B	
DOCUMENT NUMBER		DOC TYPE		DOC PART		REVISION			
2039551000-SD		PSD		000		B			
MATERIAL NUMBER		CUSTOMER		SHEET NUMBER					
SEE CHART		GENERAL		2 OF 2					

单击下面可查看定价，库存，交付和生命周期等信息

[>>MOLEX](#)