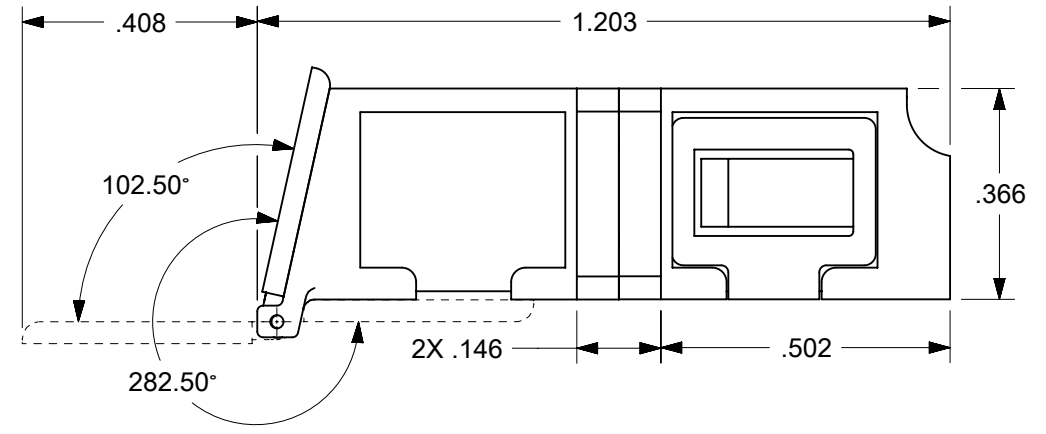
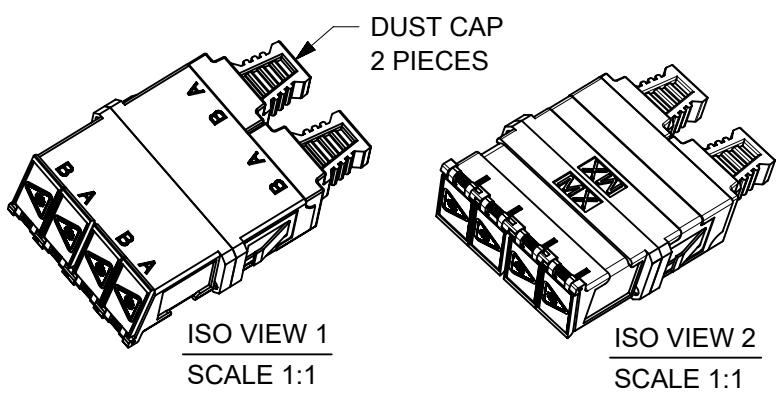
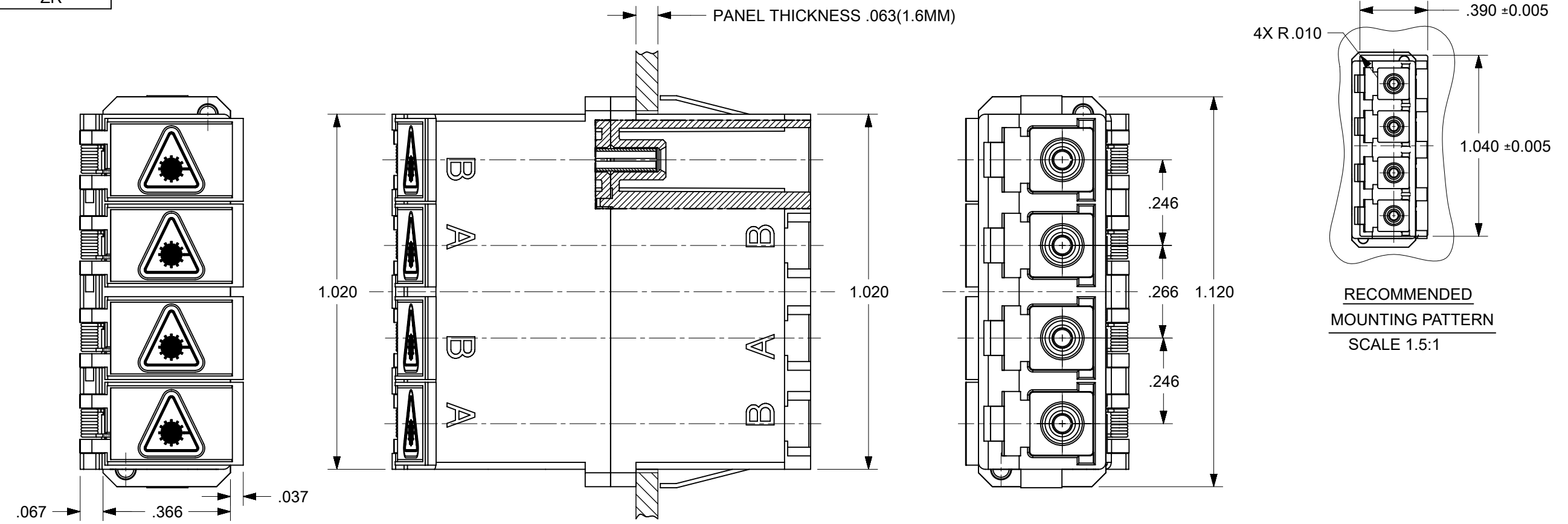


LC QUAD ADAPTER P/N	LC QUAD ADAPTER COLOR	SPLIT SLEEVE MATERIAL
106123-0400	BLUE	ZR
106123-1400	BEIGE	ZR
106126-2400	GREEN	ZR



- NOTES:
1. ALL DIMENSIONS ARE FOR REFERENCE
 2. DUST CAPS NOT SHOWN ON FRONT, BOTTOM AND RIGHT VIEW.
 3. LC QUAD ADAPTER HAS SC DUPLEX ADAPTER FOOTPRINT.

THIS DRAWING CONTAINS INFORMATION THAT IS PROPRIETARY TO MOLEX ELECTRONIC TECHNOLOGIES, LLC AND SHOULD NOT BE USED WITHOUT WRITTEN PERMISSION																	
DIMENSION UNITS	SCALE	CURRENT REV DESC: REMOVED OBSOLETE PART NUMBER AS PER PCN#512063.															
INCH	3:1	<p style="text-align: center;">molex</p> <p style="text-align: center;">LC QUAD ADAPTER WITH SHUTTERS SMALL FLANGE, SNAP MOUNT</p>															
GENERAL TOLERANCES (UNLESS SPECIFIED)																	
ANGULAR TOL	± °	PRODUCT CUSTOMER DRAWING															
4 PLACES	±	EC NO: 713759	2022/08/09	<table border="1"> <tr> <td>DOCUMENT NUMBER</td> <td>DOC TYPE</td> <td>DOC PART</td> <td>REVISION</td> </tr> <tr> <td>SD-106123-X400</td> <td>PSD</td> <td>001</td> <td>B1</td> </tr> </table>						DOCUMENT NUMBER	DOC TYPE	DOC PART	REVISION	SD-106123-X400	PSD	001	B1
DOCUMENT NUMBER	DOC TYPE	DOC PART	REVISION														
SD-106123-X400	PSD	001	B1														
3 PLACES	±	DRWN: SUGEEB	2022/10/07														
2 PLACES	±	CHKD: GB	2022/10/07														
1 PLACE	±	APPR: GB	2022/10/07														
0 PLACES	±	INITIAL REVISION:		<table border="1"> <tr> <td>MATERIAL NUMBER</td> <td>CUSTOMER</td> <td colspan="2">SHEET NUMBER</td> </tr> <tr> <td>SEE TABLE</td> <td>GENERAL MARKET</td> <td colspan="2">1 OF 1</td> </tr> </table>						MATERIAL NUMBER	CUSTOMER	SHEET NUMBER		SEE TABLE	GENERAL MARKET	1 OF 1	
MATERIAL NUMBER	CUSTOMER	SHEET NUMBER															
SEE TABLE	GENERAL MARKET	1 OF 1															
DRAFT WHERE APPLICABLE MUST REMAIN WITHIN DIMENSIONS		DRWN: PGIBLIN	2005/12/06														
THIRD ANGLE PROJECTION		APPR: IGUMIN	2005/12/06														
DRAWING		SERIES	MATERIAL NUMBER														
B-SIZE		106123	CUSTOMER														

单击下面可查看定价，库存，交付和生命周期等信息

[>>MOLEX](#)