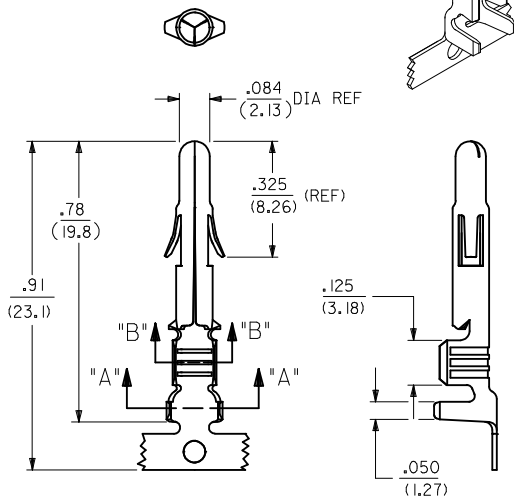
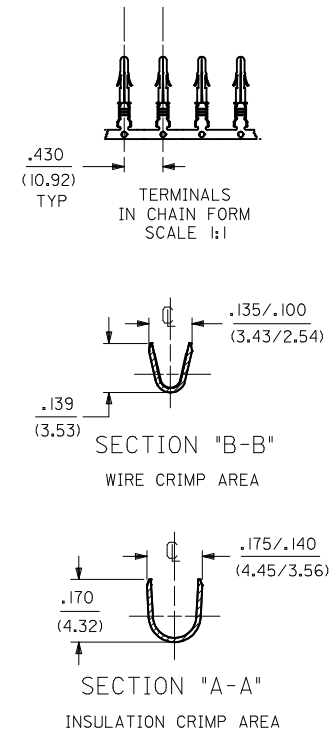
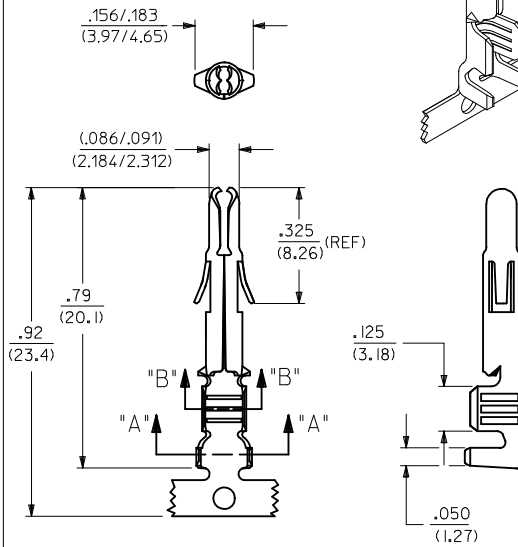


SOLID PIN TERMINAL
42023-1***



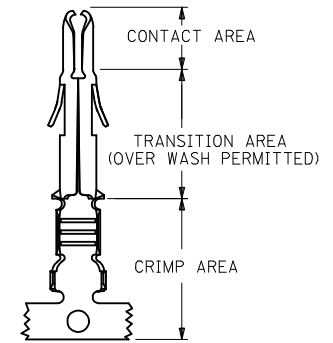
SPLIT PIN TERMINAL
42023-2***



SEE SHEET2 FOR CHART, MATERIAL, PLATING, NOTES, AND CRIMP OPTIONS

P/N'S ADDED EC NO: 12014-0115 DRWN:SS06 CHKD: APPR:KPRASAD 2014/01/09 2014/01/13 DESCRIPTION	QUALITY SYMBOLS	GENERAL TOLERANCES (UNLESS SPECIFIED)		DIMENSION STYLE		SCALE	DESIGN UNITS	THIRD ANGLE PROJECTION
	$\nabla=0$ $\nabla=0$ $\nabla=0$	mm	INCH	IN/MM		----	INCH	
		4 PLACES \pm ---	\pm ---	DRAWN BY	DATE	TITLE		
		3 PLACES \pm ---	$\pm .010$	SUDHIR	2004/09/24	TERMINAL, PIN .084/(2.13) DIA. SERIES		
	2 PLACES ± 0.25	$\pm .015$	CHECKED BY	DATE				
	1 PLACE ± 0.38	\pm ---	KPRASAD	2004/09/24				
	0 PLACE \pm	\pm	APPROVED BY	DATE	MATERIAL NO.	DOCUMENT NO.	SHEET NO.	
			KPRASAD	2004/09/24	SEE CHART	SD-42023-****	1 OF 2	
			ANGULAR $\pm 1/2^\circ$		THIS DRAWING CONTAINS INFORMATION THAT IS PROPRIETARY TO MOLEX INCORPORATED AND SHOULD NOT BE USED WITHOUT WRITTEN PERMISSION			
			DRAFT WHERE APPLICABLE MUST REMAIN WITHIN DIMENSIONS					

ENG. NO.	EDP NO.	FINISH (REF)	CONTACT AREA (REF)	CRIMP AREA (REF)	MATERIAL (REF)	TERMINAL TYPE	WIRE SIZE	INSULATION DIAMETER	STATUS
X-42023-IAI	PRELIMINARY	SDES-88-P90I	----	----	C26000	SOLID	#14-#20 AWG	.060-.130	ACTIVE
X-42023-IAL	PRELIMINARY	SDES-88-P90I	----	----	C26000	SOLID	#14-#20 AWG	.060-.130	ACTIVE
42023-2AI	002-08-2003	SDES-88-P90I	----	----	C26000	SPLIT	#14-#20 AWG	.060-.130	ACTIVE
42023-2AIL	002-08-2004	SDES-88-P90I	----	----	C26000	SPLIT	#14-#20 AWG	.060-.130	ACTIVE
42023-2BI	002-08-2005	SDES-88-P90I	----	----	C51000	SPLIT	#14-#20 AWG	.060-.130	ACTIVE
42023-2BIL	002-08-2006	SDES-88-P90I	----	----	C51000	SPLIT	#14-#20 AWG	.060-.130	ACTIVE
42023-2A2	002-08-2007	SEE NOTE 5	.000030 MIN GOLD	.000100 MIN MATTE TIN	C26000	SPLIT	#14-#20 AWG	.060-.130	NOT TOOLED
42023-2A2L	002-08-2008	SEE NOTE 5	.000030 MIN GOLD	.000100 MIN MATTE TIN	C26000	SPLIT	#14-#20 AWG	.060-.130	NOT TOOLED
42023-2B2	002-08-2009	SEE NOTE 5	.000030 MIN GOLD	.000100 MIN MATTE TIN	C51000	SPLIT	#14-#20 AWG	.060-.130	NOT TOOLED
42023-2B2L	002-08-2010	SEE NOTE 5	.000030 MIN GOLD	.000100 MIN MATTE TIN	C51000	SPLIT	#14-#20 AWG	.060-.130	NOT TOOLED
42023-2A0	002-08-2011	SDES-88-P90I	----	----	C26000	SPLIT	#14-#20 AWG	.060-.130	ACTIVE
42023-2B0	002-08-2012	SDES-88-P90I	----	----	C51000	SPLIT	#14-#20 AWG	.060-.130	ACTIVE



PLATING REGIONS

APPLIES TO GOLD PLATED TERMINALS ONLY

NOTES:

1) PIN TERMINALS FOR USE WITH THE .084/(2.13) SERIES HOUSINGS:

- PLUG (42021-**)
 - CAP (42022-**)

2) PIN TERMINALS MATE WITH SOCKET TERMINALS: .084/(2.13) DIA. SERIES (42024-****).
 3) TERMINALS FINISHED IN CHAIN UNLESS SPECIFIED LOOSE. "L" SUFFIX INDICATES LOOSE FORM. (SEE TABLE)

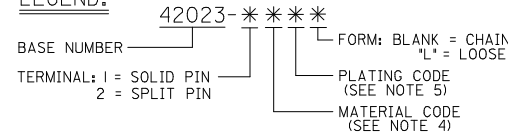
4) MATERIAL; .012/(0.30) THICK STRIP:
 A = BRASS, *C26000, PER SMES-124-C7.
 B = PHOSPHOR BRONZE, *C51000, PER SMES-124-E7.

5) FINISH:
 1 = HOT TIN DIP 20 m.l./(0.51 MICRONS) MINIMUM (PER SDES-88-P90I).
 2 = 30 M.I (0.75 MICRONS) MIN GOLD
 & 100 M.I (2.50 MICRONS) MIN SELECT TIN
 50 M.I (1.25 MICRONS) MIN NICKEL OVERALL

6) CRIMP RANGE: SEE CHART.

7) PRODUCT SPECIFICATION PS-42022-0001 APPLIES.

LEGEND:



PINS ADDED EC NO: 12014-015 DRWN:SS06 CHKD: APPR:KPRASAD 2014/01/13	DESCRIPTION 2014/01/13	QUALITY SYMBOLS	GENERAL TOLERANCES (UNLESS SPECIFIED)	DIMENSION STYLE IN/MM	SCALE ---	DESIGN UNITS INCH	THIRD ANGLE PROJECTION	
		▽=0	4 PLACES ± --- ± ---	DRAWN BY SUDHIR	DATE 2004/09/27	TITLE TERMINAL, PIN .084/(2.13) DIA. SERIES		
		▽=0	3 PLACES ± --- ± ---	CHECKED BY KPRASAD	DATE 2004/09/27			
		▽=0	2 PLACES ± --- ± ---	APPROVED BY KPRASAD	DATE 2004/09/27			
		ANGULAR ± --- °	MATERIAL NO.	DOCUMENT NO.	SHEET NO.			
		DRAFT WHERE APPLICABLE MUST REMAIN WITHIN DIMENSIONS	SEE CHART	SD-42023-****	2 OF 2			
THIS DRAWING CONTAINS INFORMATION THAT IS PROPRIETARY TO MOLEX INCORPORATED AND SHOULD NOT BE USED WITHOUT WRITTEN PERMISSION								

单击下面可查看定价，库存，交付和生命周期等信息

[>>MOLEX](#)