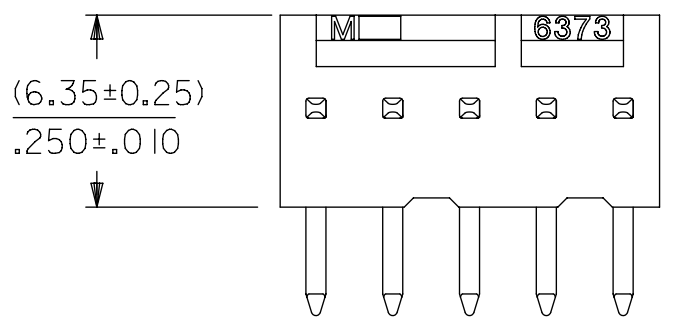
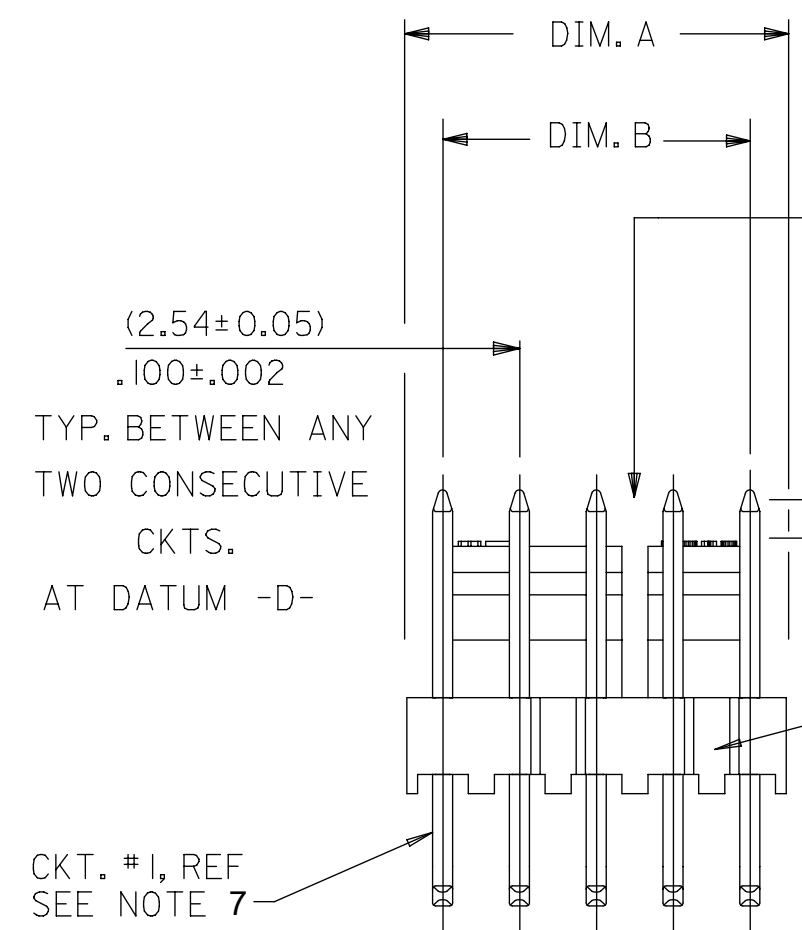


| | | | |
|--------------|----------------------------------|--------------------------------|------------------|
| 28 | (71.12 / 70.61) 2.800 / 2.780 | (68.58 ± 0.25) 2.700 ± .010 | 4 , 5 24 , 25 |
| 27 | (68.58 / 68.07) 2.700 / 2.680 | (66.04 ± 0.25) 2.600 ± .010 | 4 , 5 24 , 25 |
| 26 | (66.04 / 65.53) 2.600 / 2.580 | (63.50 ± 0.25) 2.500 ± .010 | 4 , 5 20 , 21 |
| 25 | (63.50 / 62.99) 2.500 / 2.480 | (60.96 ± 0.25) 2.400 ± .010 | 4 , 5 20 , 21 |
| 24 | (60.96 / 60.45) 2.400 / 2.380 | (58.42 ± 0.25) 2.300 ± .010 | 4 , 5 20 , 21 |
| 23 | (58.42 / 57.96) 2.300 / 2.282 | (55.88 ± 0.23) 2.200 ± .009 | 4 , 5 20 , 21 |
| 22 | (55.88 / 55.42) 2.200 / 2.182 | (53.34 ± 0.23) 2.100 ± .009 | 4 , 5 16 , 17 |
| 21 | (53.34 / 52.88) 2.100 / 2.082 | (50.80 ± 0.23) 2.000 ± .009 | 4 , 5 16 , 17 |
| 20 | (50.80 / 50.34) 2.000 / 1.982 | (48.26 ± 0.23) 1.900 ± .009 | 4 , 5 16 , 17 |
| 19 | (48.26 / 47.80) 1.900 / 1.882 | (45.72 ± 0.23) 1.800 ± .009 | 4 , 5 16 , 17 |
| 18 | (45.72 / 45.31) 1.800 / 1.784 | (43.18 ± 0.20) 1.700 ± .008 | 4 , 5 12 , 13 |
| 17 | (43.18 / 42.77) 1.700 / 1.684 | (40.64 ± 0.20) 1.600 ± .008 | 4 , 5 12 , 13 |
| 16 | (40.64 / 40.23) 1.600 / 1.584 | (38.10 ± 0.20) 1.500 ± .008 | 4 , 5 12 , 13 |
| 15 | (38.10 / 37.69) 1.500 / 1.484 | (35.56 ± 0.20) 1.400 ± .008 | 4 , 5 12 , 13 |
| 14 | (35.56 / 35.20) 1.400 / 1.386 | (33.02 ± 0.18) 1.300 ± .007 | 4 , 5 8 , 9 |
| 13 | (33.02 / 32.66) 1.300 / 1.286 | (30.48 ± 0.18) 1.200 ± .007 | 4 , 5 8 , 9 |
| 12 | (30.48 / 30.12) 1.200 / 1.186 | (27.94 ± 0.18) 1.100 ± .007 | 4 , 5 8 , 9 |
| 11 | (27.94 / 27.58) 1.100 / 1.086 | (25.40 ± 0.18) 1.000 ± .007 | 4 , 5 8 , 9 |
| 10 | (25.40 / 25.04) 1.000 / .986 | (22.86 ± 0.15) .900 ± .006 | 4 , 5 |
| 9 | (22.86 / 22.50) .900 / .886 | (20.32 ± 0.15) .800 ± .006 | 4 , 5 |
| 8 | (20.32 / 19.96) .800 / .786 | (17.78 ± 0.15) .700 ± .006 | 4 , 5 |
| 7 | (17.78 / 17.42) .700 / .686 | (15.24 ± 0.13) .600 ± .005 | 4 , 5 |
| 6 | (15.24 / 14.88) .600 / .586 | (12.70 ± 0.13) .500 ± .005 | 4 , 5 |
| 5 | (12.70 / 12.40) .500 / .488 | (10.16 ± 0.13) .400 ± .005 | NONE |
| 4 | (10.16 / 9.86) .400 / .388 | (7.62 ± 0.13) .300 ± .005 | NONE |
| 3 | (7.62 / 7.32) .300 / .288 | (5.08 ± 0.10) .200 ± .004 | NONE |
| 2 | (5.08 / 4.78) .200 / .188 | (2.54 ± 0.05) .100 ± .002 | NONE |
| NO. OF CKTS. | DIM. A | DIM. B | SLOTS LOC. |

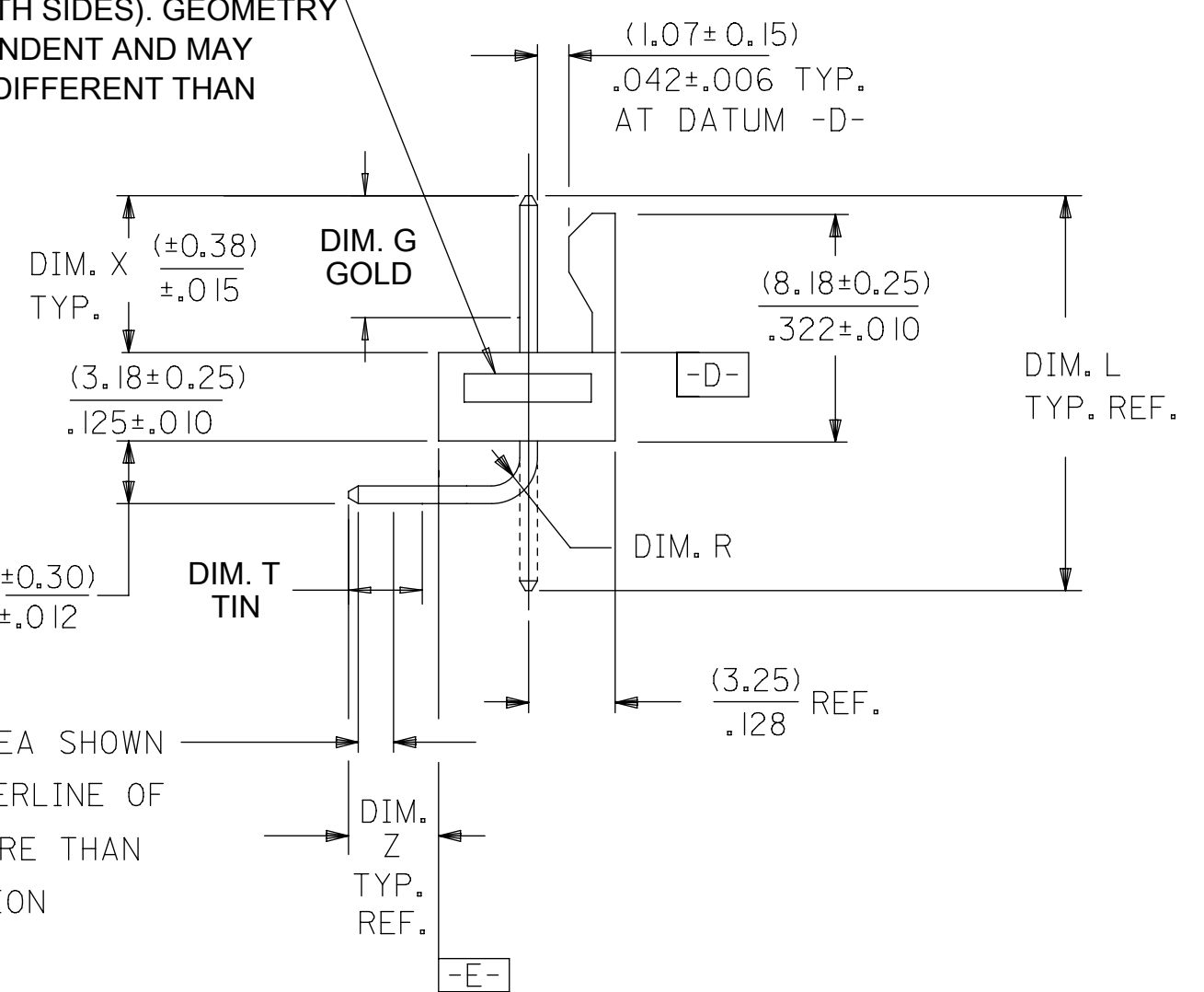


NOTES:

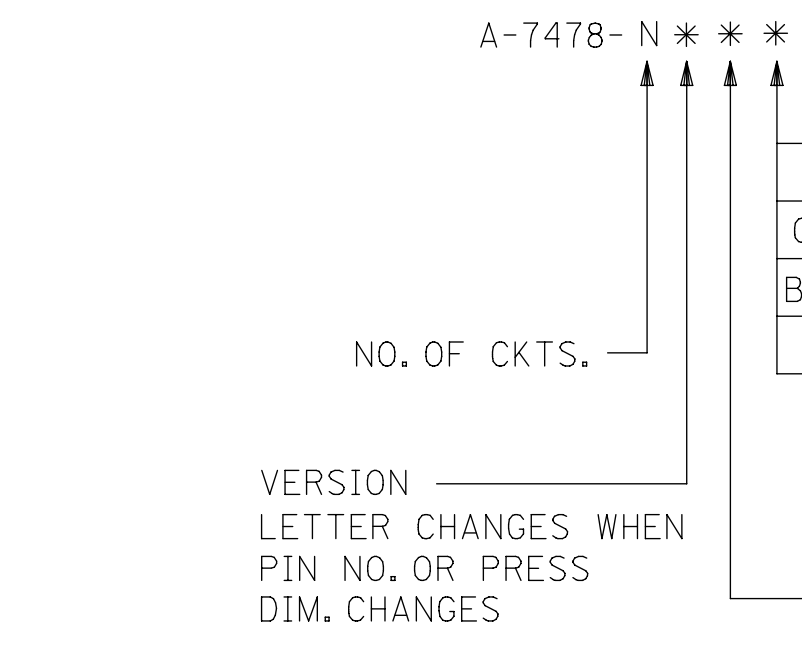
1. MATERIAL: NYLON, UL94V-0, COLOR: WHITE
2. FINISH:
 (154) = OVERALL TIN: (0.00254)/.000100 MIN., OVERALL NICKEL UNDERPLATE: (0.00127)/.000050 MIN.
 (197) = OVERALL REFLOWED MATTE TIN: 0.00152/.000060 MIN OVER 0.00127/.000050 MIN NICKEL.
 (222) = OVERALL MATTE TIN: (0.00254)/.000100 MIN., OVERALL NICKEL UNDERPLATE: (0.00127)/.000050 MIN.
 (208) = SELECT GOLD: 0.00038/.000015 MIN, SELECT MATTE TIN: 0.00254/.000100, BOTH OVER 0.00127/.000050 MIN NICKEL.
 (228) = SELECT GOLD: 0.00076/.000030 MIN, SELECT MATTE TIN: 0.00254/.000100, BOTH OVER 0.00127/.000050 MIN NICKEL.
 (241) = SELECT GOLD: 0.00051/.000020 MIN, SELECT MATTE TIN: 0.00254/.000100, BOTH OVER 0.00127/.000050 MIN NICKEL.
3. PARTS CONFORM TO PRODUCT SPECIFICATION PS-10-07.
4. PACKAGING INFORMATION: SEE LEGEND.
5. PARTS ARE STACKABLE END TO END ON (2.54)/.100 CENTERS.
6. PIN PUSH OUT FORCE: 2 LBS. MIN.
7. CIRCUIT ONE DESIGNATION IS USED TO DEFINE VOID LOCATION.
CIRCUIT ONE MAY OR MAY NOT LINE UP WITH CIRCUIT ONE ON THE MATING HOUSING.
8. THIS PART CONFORMS TO CLASS B REQUIREMENTS OF COSMETIC SPECIFICATION PS-45499-002.



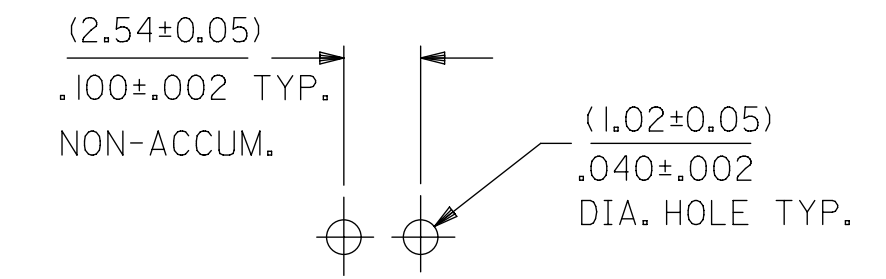
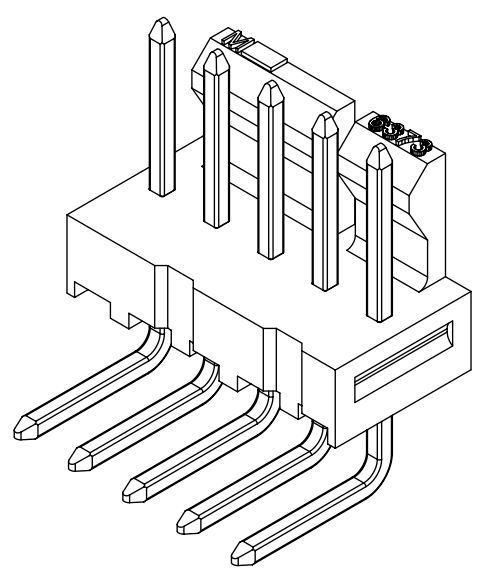
GROOVE MAY OR MAY NOT BE PRESENT (BOTH SIDES). GEOMETRY IS TOOL DEPENDENT AND MAY BE SLIGHTLY DIFFERENT THAN SHOWN



CENTERLINE OF PIN IN AREA SHOWN NOT TO VARY FROM CENTERLINE OF PIN AT DATUM -E- BY MORE THAN (0.13)/.005 IN ANY DIRECTION



| SECONDARY OPERATIONS | |
|----------------------|-----------------------|
| CODE | PACKAGE |
| BLANK | BULK PK-7478-001 |
| T | TUBE PER PK-44743-001 |



RECOMMENDED P.C. BOARD HOLE LAYOUT

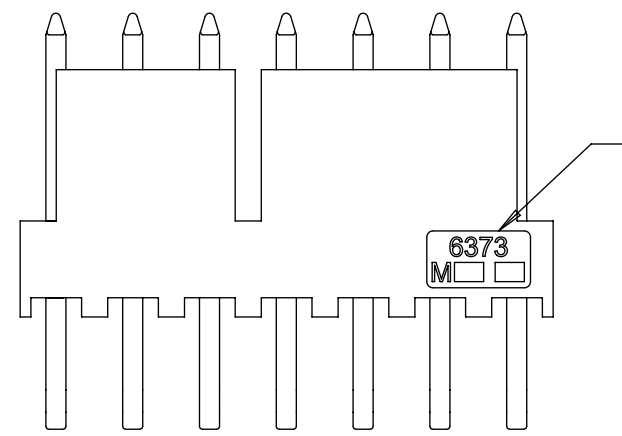
| | | | | | |
|------------------------|-------|---|--------|-----------------|------------------------|
| QUALITY SYMBOLS | | THIS DRAWING CONTAINS INFORMATION THAT IS PROPRIETARY TO MOLEX ELECTRONIC TECHNOLOGIES, LLC AND SHOULD NOT BE USED WITHOUT WRITTEN PERMISSION | | | |
| ▽ = 0 | ▽ = 0 | GENERAL TOLERANCES (UNLESS SPECIFIED) | | DIMENSION UNITS | SCALE |
| ▽ = 0 | ▽ = 0 | MM | INCH | MM/IN | 4:1 |
| ▽ = 0 | ▽ = 0 | 4 PLACES | ± | DRWN BY | DATE |
| ▽ = 0 | ▽ = 0 | 3 PLACES | ± | GUZIC | 1987/07/30 |
| ▽ = 0 | ▽ = 0 | 2 PLACES | ± 0.25 | CHK'D BY | DATE |
| ▽ = 0 | ▽ = 0 | 1 PLACES | ± 0.38 | PATEL | 1987/07/30 |
| ▽ = 0 | ▽ = 0 | 0 PLACES | ± | APPR BY | DATE |
| ▽ = 0 | ▽ = 0 | ANGULAR TOL = 1/2 | | FSMITH | 2014/05/16 |
| ▽ = 0 | ▽ = 0 | DRAFT WHERE APPLICABLE MUST REMAIN WITHIN DIMENSIONS | | DRAWING SIZE | THIRD ANGLE PROJECTION |
| ▽ = 0 | ▽ = 0 | | | C | |
| ADD ALL ENGRAVING VIEW | | EC NO: 111288 | | SERIES | |
| | | DRWN: MKIPPER | | 7478 | |
| | | CHKD: MKIPPER | | MATERIAL NUMBER | |
| | | REV / APPR: FSMITH | | SEE CHART | |
| | | | | CUSTOMER | |
| | | | | GENERAL MARKET | |
| RELEASE STATUS | | RELEASE DATE | | DOCUMENT NUMBER | |
| | | | | SDA-7478 | |
| | | | | DOC TYPE | |
| | | | | PSD | |
| | | | | DOC PART | |
| | | | | 000 | |
| | | | | SHEET NUMBER | |
| | | | | 1 OF 5 | |



FRICITION LOCK HEADER ASY
.100 CL BENT SQ. PINS 7478 SERIES

PRODUCT CUSTOMER DRAWING

| ENG. NO. | PIN NO. | DIM. L | DIM. X | DIM. Z | DIM. Y | DIM. W | DIM. R | DIM. G | DIM. T |
|---------------|------------------------------|-----------------|----------------|-------------------------|---------------------|--------|----------------|----------------|----------------|
| A-7478-NA222 | 2766-41(222) OR 4266-0667 | (18.80) .740 | (6.71) .264 | (3.58) .141 | (3.05) .120 | 90° | (1.17) .046 | N/A | OVERALL |
| A-7478-NA241 | 4266-0666 | (18.80) .740 | (6.71) .264 | (3.58) .141 | (3.05) .120 | 90° | (1.17) .046 | (4.57) .180 | (3.43) .135 |
| A-7478-NA241T | 4266-0666 | (18.80) .740 | (6.71) .264 | (3.58) .141 | (3.05) .120 | 90° | (1.17) .046 | (4.57) .180 | (3.43) .135 |
| A-7478-NA197T | 4266-0662 | (18.80) .740 | (6.71) .264 | (3.58) .141 | (3.05) .120 | 90° | (1.17) .046 | N/A | OVERALL |
| A-7478-NA228 | 42663-0664 | (18.80) .740 | (6.71) .264 | (3.58) .141 | (3.05) .120 | 90° | (1.17) .046 | (4.57) .180 | (3.43) .135 |
| A-7478-NE197 | 42663-0742 | (19.81) .780 | (7.75) .305 | (3.56) .140 | (3.05) .120 | 90° | (1.17) .046 | N/A | OVERALL |
| A-7478-NF197 | 42663-0622 | (18.29) .720 | (6.73) .265 | (2.92±.25) .115±.010 | (3.18) .125 REF. | 90° | (1.17) .046 | N/A | OVERALL |
| A-7478-NH197 | 42663-0482 | (16.51) .650 | (7.49) .295 | (2.69) .106 | (0.64) .025 | 90° | (.64) .025 | N/A | OVERALL |
| A-7478-NM208 | 42663-0564 | (17.53) .690 | (7.57) .298 | (3.63) .143 | (0.64) .025 | 90° | (.64) .025 | (5.08) .200 | (3.43) .135 |
| A-7478-NA154 | 42663-0668 | (18.80) .740 | (6.71) .264 | (3.58) .141 | (3.05) .120 | 90° | (1.17) .046 | N/A | OVERALL |
| A-7478-ANE197 | 42663-0742 | (19.81) .780 | (7.75) .305 | (3.56) .140 | (3.05) .120 | 90° | (1.17) .046 | N/A | OVERALL |
| A-7478-NM197 | 42663-0562 | (17.53) .690 | (7.57) .298 | (3.63) .143 | (.64) .025 | 90° | (.64) .025 | N/A | OVERALL |
| A-7478-NH228 | 42663-0483 | (16.51) .650 | (7.49) .295 | (2.69) .106 | (.64) .025 | 90° | (.64) .025 | (5.08) .200 | (5.08) .200 |
| A-7478-NN197 | 42663-0662 | (18.80) .740 | (6.71) .264 | (3.58) .141 | (3.05) .120 | 90° | (1.17) .046 | N/A | OVERALL |
| A-7478-NP197 | 42663-1142 | (24.89) .980 | (6.60) .260 | (9.73) .383 | (3.05) .120 | 90° | (1.17) .046 | N/A | OVERALL |



ALTERNATE ENGRAVING LOCATION
(7-12 CKT PARTS ONLY). LOCATION
IS DEPENDENT ON TOOLING.

| | | | | | | | | | | | | | |
|---|---|---------------------------------------|--|------|--------------|-----------------|------------------------|-------------------------|--|--|--|--|--|
| QUALITY SYMBOLS ▽ = 0 ▽ = 0 ▽ = 0 ▽ = 0 ▽ = 0 ▽ = 0 ▽ = 0 ▽ = 0 ▽ = 0 ▽ = 0 | THIS DRAWING CONTAINS INFORMATION THAT IS PROPRIETARY TO MOLEX ELECTRONIC TECHNOLOGIES, LLC AND SHOULD NOT BE USED WITHOUT WRITTEN PERMISSION | | | | | | | | | | | | |
| | SEE SHEET 1 EC NO: 111298 DRWN: MKIPPER CHKD: MKIPPER REV: APPR: FSMITH | GENERAL TOLERANCES (UNLESS SPECIFIED) | | | | DIMENSION UNITS | | SCALE | | | | | |
| | | MM | | INCH | | MM/IN | | NTS | | | | | |
| | | 4 PLACES ± | | | | DRWN BY | | DATE | | FRICITION LOCK HEADER ASY .100 CL BENT SQ. PINS 7478 SERIES | | | |
| | | 3 PLACES ± ± .010 | | | | GUZIC | | 1987/07/30 | | | | | |
| | | 2 PLACES ± 0.25 ± .015 | | | | CHK'D BY | | DATE | | | | | |
| | 1 PLACES ± 0.38 ± | | | | PATEL | | 1987/07/30 | | PRODUCT CUSTOMER DRAWING | | | | |
| | 0 PLACES ± ± | | | | APPR BY | | DATE | | SERIES MATERIAL NUMBER CUSTOMER | | | | |
| | ANGULAR TOL = 1/2 | | | | FSMITH | | 2014/05/16 | | 7478 SEE CHART GENERAL MARKET | | | | |
| | DRAFT WHERE APPLICABLE MUST REMAIN WITHIN DIMENSIONS | | | | DRAWING SIZE | | THIRD ANGLE PROJECTION | | DOCUMENT NUMBER DOC TYPE DOC PART SHEET NUMBER | | | | |
| | | | | C | | | | SDA-7478 PSD 000 2 OF 5 | | | | | |


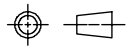
| A-7478-NA222 | | A-7478-NA241 | | A-7478-NA241T | | A-7478-NA197T | | | | | |
|--------------|---------------|--------------|---------------|---------------|----------------|---------------|---------------|----------|----------|----------|----------|
| PART NO. | ENG. NO. | PART NO. | ENG. NO. | PART NO. | ENG. NO. | PART NO. | ENG. NO. | PART NO. | ENG. NO. | PART NO. | ENG. NO. |
| 22-05-3021 | A-7478-2A222 | 22-12-2024 | A-7478-2A241 | 50-29-1710 | A-7478-2A241T | 50-34-8500 | A-7478-2A197T | | | | |
| 22-05-3031 | A-7478-3A222 | 22-12-2034 | A-7478-3A241 | 50-29-1711 | A-7478-3A241T | 50-34-8501 | A-7478-3A197T | | | | |
| 22-05-3041 | A-7478-4A222 | 22-12-2044 | A-7478-4A241 | 50-29-1705 | A-7478-4A241T | 50-34-8502 | A-7478-4A197T | | | | |
| 22-05-3051 | A-7478-5A222 | 22-12-2054 | A-7478-5A241 | 50-29-1712 | A-7478-5A241T | | | | | | |
| 22-05-3061 | A-7478-6A222 | 22-12-2064 | A-7478-6A241 | 50-29-1713 | A-7478-6A241T | | | | | | |
| 22-05-3071 | A-7478-7A222 | 22-12-2074 | A-7478-7A241 | 50-29-1714 | A-7478-7A241T | | | | | | |
| 22-05-3081 | A-7478-8A222 | 22-12-2084 | A-7478-8A241 | 50-29-1715 | A-7478-8A241T | | | | | | |
| 22-05-3091 | A-7478-9A222 | 22-12-2094 | A-7478-9A241 | 50-29-1716 | A-7478-9A241T | | | | | | |
| 22-05-3101 | A-7478-10A222 | 22-12-2104 | A-7478-10A241 | 50-29-1717 | A-7478-10A241T | | | | | | |
| 22-05-3111 | A-7478-11A222 | 22-12-2114 | A-7478-11A241 | 50-29-1718 | A-7478-11A241T | | | | | | |
| 22-05-3121 | A-7478-12A222 | 22-12-2124 | A-7478-12A241 | 50-29-1719 | A-7478-12A241T | | | | | | |
| 22-05-3131 | A-7478-13A222 | 22-12-2134 | A-7478-13A241 | 50-29-1720 | A-7478-13A241T | | | | | | |
| 22-05-3141 | A-7478-14A222 | 22-12-2144 | A-7478-14A241 | 50-29-1721 | A-7478-14A241T | | | | | | |
| 22-05-3151 | A-7478-15A222 | 22-12-2154 | A-7478-15A241 | 50-29-1722 | A-7478-15A241T | | | | | | |
| 22-05-3161 | A-7478-16A222 | 22-12-2164 | A-7478-16A241 | 50-29-1723 | A-7478-16A241T | | | | | | |
| 22-05-3171 | A-7478-17A222 | 22-12-2174 | A-7478-17A241 | 50-29-1724 | A-7478-17A241T | | | | | | |
| 22-05-3181 | A-7478-18A222 | 22-12-2184 | A-7478-18A241 | 50-29-1725 | A-7478-18A241T | | | | | | |
| 22-05-3191 | A-7478-19A222 | 22-12-2194 | A-7478-19A241 | 50-29-1726 | A-7478-19A241T | | | | | | |
| 22-05-3201 | A-7478-20A222 | 22-12-2204 | A-7478-20A241 | 50-29-1727 | A-7478-20A241T | | | | | | |
| 22-05-3211 | A-7478-21A222 | 22-12-2214 | A-7478-21A241 | 50-29-1728 | A-7478-21A241T | | | | | | |
| 22-05-3221 | A-7478-22A222 | 22-12-2224 | A-7478-22A241 | 50-29-1729 | A-7478-22A241T | | | | | | |
| 22-05-3231 | A-7478-23A222 | 22-12-2234 | A-7478-23A241 | 50-29-1730 | A-7478-23A241T | | | | | | |
| 22-05-3241 | A-7478-24A222 | 22-12-2244 | A-7478-24A241 | 50-29-1731 | A-7478-24A241T | | | | | | |
| 22-05-3251 | A-7478-25A222 | 22-12-2254 | A-7478-25A241 | 50-29-1732 | A-7478-25A241T | | | | | | |
| 22-05-3261 | A-7478-26A222 | 22-12-2264 | A-7478-26A241 | 50-29-1733 | A-7478-26A241T | | | | | | |
| 22-05-3271 | A-7478-27A222 | 22-12-2274 | A-7478-27A241 | 50-29-1734 | A-7478-27A241T | | | | | | |
| 22-05-3281 | A-7478-28A222 | 22-12-2284 | A-7478-28A241 | 50-29-1735 | A-7478-28A241T | | | | | | |

| QUALITY SYMBOLS | THIS DRAWING CONTAINS INFORMATION THAT IS PROPRIETARY TO MOLEX ELECTRONIC TECHNOLOGIES, LLC AND SHOULD NOT BE USED WITHOUT WRITTEN PERMISSION | | | | | | | | | | | | | | | | | | | | | | | | | | | | | | |
|---|---|---|---------------------------|-------------------------------------|--|-----------------------------------|----|------------------------|----------|-------------------------------|---|----------|---|--------|----------|--------|--------|----------|--------|---|----------|---|---|---------------------------------|--|---------------------|--|--|--|--|--|
| | SEE SHEET 1 EC NO: 111298 DRWN: MKIPPER CHKD: MKIPPER REV: APPR: FSMITH | GENERAL TOLERANCES (UNLESS SPECIFIED) <table border="1"> <tr><th></th><th>MM</th><th>INCH</th></tr> <tr><td>4 PLACES</td><td>±</td><td>±</td></tr> <tr><td>3 PLACES</td><td>±</td><td>± .010</td></tr> <tr><td>2 PLACES</td><td>± 0.25</td><td>± .015</td></tr> <tr><td>1 PLACES</td><td>± 0.38</td><td>±</td></tr> <tr><td>0 PLACES</td><td>±</td><td>±</td></tr> </table> | | | | | MM | INCH | 4 PLACES | ± | ± | 3 PLACES | ± | ± .010 | 2 PLACES | ± 0.25 | ± .015 | 1 PLACES | ± 0.38 | ± | 0 PLACES | ± | ± | DIMENSION UNITS MM/IN | | SCALE NTS | | | | FRICITION LOCK HEADER ASY .100 CL BENT SQ. PINS 7478 SERIES | |
| | | | MM | INCH | | | | | | | | | | | | | | | | | | | | | | | | | | | |
| | | 4 PLACES | ± | ± | | | | | | | | | | | | | | | | | | | | | | | | | | | |
| | | 3 PLACES | ± | ± .010 | | | | | | | | | | | | | | | | | | | | | | | | | | | |
| | | 2 PLACES | ± 0.25 | ± .015 | | | | | | | | | | | | | | | | | | | | | | | | | | | |
| | 1 PLACES | ± 0.38 | ± | | | | | | | | | | | | | | | | | | | | | | | | | | | | |
| | 0 PLACES | ± | ± | | | | | | | | | | | | | | | | | | | | | | | | | | | | |
| | DRWN BY GUZIC | | DATE 1987/07/30 | | | | | | | | | | | | | | | | | | | | | | | | | | | | |
| | CHK'D BY PATEL | | DATE 1987/07/30 | | | | | | | | | | | | | | | | | | | | | | | | | | | | |
| APPR BY FSMITH | | DATE 2014/05/16 | | | | | | | | | | | | | | | | | | | | | | | | | | | | | |
| ANGULAR TOL = 1/2 | | DRAWING SIZE C | | THIRD ANGLE PROJECTION | | | | | | | | | | | | | | | | | | | | | | | | | | | |
| DRAFT WHERE APPLICABLE MUST REMAIN WITHIN DIMENSIONS | | | | DOCUMENT NUMBER SDA-7478 | | DOC TYPE PSD | | DOC PART 000 | | SHEET NUMBER 3 OF 5 | | | | | | | | | | | | | | | | | | | | | |
| PRODUCT CUSTOMER DRAWING | | SERIES 7478 | | MATERIAL NUMBER SEE CHART | | CUSTOMER GENERAL MARKET | | | | | | | | | | | | | | | | | | | | | | | | | |

| A-7478-NA228 | | A-7478-NE197 | | A-7478-NF197 | | A-7478-NH197 | | A-7478-NM208 | | A-7478-NA154 | |
|--------------|---------------|--------------|---------------|--------------|---------------|--------------|---------------|--------------|---------------|--------------|--------------|
| PART NO. | ENG. NO. | PART NO. | ENG. NO. | PART NO. | ENG. NO. | PART NO. | ENG. NO. | PART NO. | ENG. NO. | PART NO. | ENG. NO. |
| 22-12-2026 | A-7478-2A228 | 22-05-8025 | A-7478-2E197 | | A-7478-2F197 | S 22-05-8020 | A-7478-2H197 | S | A-7478-2M208 | 50-30-4424 | A-7478-2A154 |
| 22-12-2036 | A-7478-3A228 | | A-7478-3E197 | | A-7478-3F197 | S 22-05-8030 | A-7478-3H197 | S | A-7478-3M208 | 50-30-4434 | A-7478-3A154 |
| 22-12-2046 | A-7478-4A228 | | A-7478-4E197 | | A-7478-4F197 | S 22-05-8040 | A-7478-4H197 | S | A-7478-4M208 | 50-30-4444 | A-7478-4A154 |
| 22-12-2056 | A-7478-5A228 | 22-05-8055 | A-7478-5E197 | 22-05-9058 | A-7478-5F197 | S 22-05-8050 | A-7478-5H197 | S | A-7478-5M208 | | |
| 22-12-2066 | A-7478-6A228 | | A-7478-6E197 | | A-7478-6F197 | S 22-05-8060 | A-7478-6H197 | S | A-7478-6M208 | | |
| 22-12-2076 | A-7478-7A228 | | A-7478-7E197 | | A-7478-7F197 | S 22-05-8070 | A-7478-7H197 | S | A-7478-7M208 | | |
| 22-12-2086 | A-7478-8A228 | | A-7478-8E197 | | A-7478-8F197 | S 22-05-8080 | A-7478-8H197 | S | A-7478-8M208 | | |
| 22-12-2096 | A-7478-9A228 | | A-7478-9E197 | | A-7478-9F197 | S 22-05-8090 | A-7478-9H197 | S | A-7478-9M208 | | |
| 22-12-2106 | A-7478-10A228 | | A-7478-10E197 | | A-7478-10F197 | S 22-05-8100 | A-7478-10H197 | S | A-7478-10M208 | | |
| 22-12-2116 | A-7478-11A228 | | A-7478-11E197 | | A-7478-11F197 | S 22-05-8110 | A-7478-11H197 | S | A-7478-11M208 | | |
| 22-12-2126 | A-7478-12A228 | | A-7478-12E197 | | A-7478-12F197 | S 22-05-8120 | A-7478-12H197 | S 22-12-2123 | A-7478-12M208 | | |
| 22-12-2136 | A-7478-13A228 | | A-7478-13E197 | | A-7478-13F197 | S 22-05-8130 | A-7478-13H197 | S | A-7478-13M208 | | |
| 22-12-2146 | A-7478-14A228 | | A-7478-14E197 | | A-7478-14F197 | S 22-05-8140 | A-7478-14H197 | S | A-7478-14M208 | | |
| 22-12-2156 | A-7478-15A228 | | A-7478-15E197 | | A-7478-15F197 | S 22-05-8150 | A-7478-15H197 | S | A-7478-15M208 | | |
| 22-12-2166 | A-7478-16A228 | | A-7478-16E197 | | A-7478-16F197 | S 22-05-8160 | A-7478-16H197 | S | A-7478-16M208 | | |
| 22-12-2176 | A-7478-17A228 | | A-7478-17E197 | | A-7478-17F197 | S 22-05-8170 | A-7478-17H197 | S | A-7478-17M208 | | |
| 22-12-2186 | A-7478-18A228 | | A-7478-18E197 | | A-7478-18F197 | S 22-05-8180 | A-7478-18H197 | S | A-7478-18M208 | | |
| 22-12-2196 | A-7478-19A228 | | A-7478-19E197 | | A-7478-19F197 | S 22-05-8190 | A-7478-19H197 | S | A-7478-19M208 | | |
| 22-12-2206 | A-7478-20A228 | | A-7478-20E197 | | A-7478-20F197 | S 22-05-8200 | A-7478-20H197 | S | A-7478-20M208 | | |
| 22-12-2216 | A-7478-21A228 | | A-7478-21E197 | | A-7478-21F197 | S 22-05-8210 | A-7478-21H197 | S | A-7478-21M208 | | |
| 22-12-2226 | A-7478-22A228 | | A-7478-22E197 | | A-7478-22F197 | S 22-05-8220 | A-7478-22H197 | S | A-7478-22M208 | | |
| 22-12-2236 | A-7478-23A228 | | A-7478-23E197 | | A-7478-23F197 | S 22-05-8230 | A-7478-23H197 | S | A-7478-23M208 | | |
| 22-12-2246 | A-7478-24A228 | | A-7478-24E197 | | A-7478-24F197 | S 22-05-8240 | A-7478-24H197 | S | A-7478-24M208 | | |
| 22-12-2256 | A-7478-25A228 | | A-7478-25E197 | | A-7478-25F197 | S 22-05-8250 | A-7478-25H197 | S | A-7478-25M208 | | |
| 22-12-2266 | A-7478-26A228 | | A-7478-26E197 | | A-7478-26F197 | S 22-05-8260 | A-7478-26H197 | S | A-7478-26M208 | | |
| 22-12-2276 | A-7478-27A228 | | A-7478-27E197 | | A-7478-27F197 | S 22-05-8270 | A-7478-27H197 | S | A-7478-27M208 | | |
| 22-12-2286 | A-7478-28A228 | | A-7478-28E197 | | A-7478-28F197 | S 22-05-8280 | A-7478-28H197 | S | A-7478-28M208 | | |

| QUALITY SYMBOLS | THIS DRAWING CONTAINS INFORMATION THAT IS PROPRIETARY TO MOLEX ELECTRONIC TECHNOLOGIES, LLC AND SHOULD NOT BE USED WITHOUT WRITTEN PERMISSION | | | | | | | | | | | | | | | | | | | | | | | | | | | | | | | | | | | | |
|---|---|---|---|------------------------------------|--------|---|--|------------------------|--|------------------------|---|-------------------------------|---|----------|---|--------|--|----------|---|--------|--------|----------|---|--------|---|----------|---|--|---|---------------------------------|--|---------------------|--|--|--|---|--|
| | SEE SHEET 1 EC NO: 111298 DRWN: MKIPPER CHKD: MKIPPER REV APPR: FSMITH 2016/03/16 2017/04/11 2017/04/28 | GENERAL TOLERANCES (UNLESS SPECIFIED) <table border="1"> <tr><th colspan="2">MM</th><th colspan="2">INCH</th></tr> <tr><td>4 PLACES</td><td>±</td><td></td><td>±</td></tr> <tr><td>3 PLACES</td><td>±</td><td>± .010</td><td></td></tr> <tr><td>2 PLACES</td><td>±</td><td>± 0.25</td><td>± .015</td></tr> <tr><td>1 PLACES</td><td>±</td><td>± 0.38</td><td>±</td></tr> <tr><td>0 PLACES</td><td>±</td><td></td><td>±</td></tr> </table> | | | | MM | | INCH | | 4 PLACES | ± | | ± | 3 PLACES | ± | ± .010 | | 2 PLACES | ± | ± 0.25 | ± .015 | 1 PLACES | ± | ± 0.38 | ± | 0 PLACES | ± | | ± | DIMENSION UNITS MM/IN | | SCALE NTS | | | | FRICITION LOCK HEADER ASY .100 CL BENT SQ. PINS 7478 SERIES | |
| | | MM | | INCH | | | | | | | | | | | | | | | | | | | | | | | | | | | | | | | | | |
| | | 4 PLACES | ± | | ± | | | | | | | | | | | | | | | | | | | | | | | | | | | | | | | | |
| | | 3 PLACES | ± | ± .010 | | | | | | | | | | | | | | | | | | | | | | | | | | | | | | | | | |
| | | 2 PLACES | ± | ± 0.25 | ± .015 | | | | | | | | | | | | | | | | | | | | | | | | | | | | | | | | |
| | | 1 PLACES | ± | ± 0.38 | ± | | | | | | | | | | | | | | | | | | | | | | | | | | | | | | | | |
| | | 0 PLACES | ± | | ± | | | | | | | | | | | | | | | | | | | | | | | | | | | | | | | | |
| | | DRWN BY GUZIC | | DATE 1987/07/30 | | PRODUCT CUSTOMER DRAWING SERIES: 7478 MATERIAL NUMBER: SEE CHART CUSTOMER: GENERAL MARKET | | | | | | | | | | | | | | | | | | | | | | | | | | | | | | | |
| | | CHK'D BY PATEL | | DATE 1987/07/30 | | | | | | | | | | | | | | | | | | | | | | | | | | | | | | | | | |
| APPR BY FSMITH | | DATE 2014/05/16 | | | | | | | | | | | | | | | | | | | | | | | | | | | | | | | | | | | |
| ANGULAR TOL = 1/2 | | DRAWING SIZE C | | THIRD ANGLE PROJECTION | | | | | | | | | | | | | | | | | | | | | | | | | | | | | | | | | |
| DRAFT WHERE APPLICABLE MUST REMAIN WITHIN DIMENSIONS | | | | DOCUMENT NUMBER SDA-7478 | | | | DOC TYPE PSD | | DOC PART 000 | | SHEET NUMBER 4 OF 5 | | | | | | | | | | | | | | | | | | | | | | | | | |
| | | | | | | | | | | | | | | | | | | | | | | | | | | | | | | | | | | | | | |
| | | | | | | | | | | | | | | | | | | | | | | | | | | | | | | | | | | | | | |
| | | | | | | | | | | | | | | | | | | | | | | | | | | | | | | | | | | | | | |
| | | | | | | | | | | | | | | | | | | | | | | | | | | | | | | | | | | | | | |

| A-7478-ANE197 | | A-7478-NM197 | | A-7478-NH228 | | A-7478-NN197 | | A-7478-NP197 | |
|---------------|----------------|--------------|---------------|--------------|---------------|--------------|---------------|--------------|---------------|
| PART NO. | ENG. NO. | PART NO. | ENG. NO. | PART NO. | ENG. NO. | PART NO. | ENG. NO. | PART NO. | ENG. NO. |
| | A-7478-A2E197 | 22-12-4028 | A-7478-2M197 | 22-16-3026 | A-7478-2H228 | | A-7478-2N197 | 50-29-0033 | A-7478-2P197 |
| | A-7478-A3E197 | 22-12-4038 | A-7478-3M197 | 22-16-3036 | A-7478-3H228 | | A-7478-3N197 | | A-7478-3P197 |
| | A-7478-A4E197 | 22-12-4048 | A-7478-4M197 | 22-16-3046 | A-7478-4H228 | | A-7478-4N197 | | A-7478-4P197 |
| 22-05-3055 | A-7478-A5E197 | 22-12-4058 | A-7478-5M197 | 22-16-3056 | A-7478-5H228 | | A-7478-5N197 | 22-05-8053 | A-7478-5P197 |
| | A-7478-A6E197 | 22-12-4068 | A-7478-6M197 | 22-16-3066 | A-7478-6H228 | | A-7478-6N197 | | A-7478-6P197 |
| 22-05-3075 | A-7478-A7E197 | 22-12-4078 | A-7478-7M197 | 22-16-3076 | A-7478-7H228 | | A-7478-7N197 | | A-7478-7P197 |
| | A-7478-A8E197 | 22-12-4088 | A-7478-8M197 | 22-16-3086 | A-7478-8H228 | | A-7478-8N197 | | A-7478-8P197 |
| | A-7478-A9E197 | 22-12-4098 | A-7478-9M197 | 22-16-3096 | A-7478-9H228 | | A-7478-9N197 | | A-7478-9P197 |
| | A-7478-A10E197 | 22-12-4108 | A-7478-10M197 | 22-16-3106 | A-7478-10H228 | | A-7478-10N197 | | A-7478-10P197 |
| | A-7478-A11E197 | 22-12-4118 | A-7478-11M197 | 22-16-3116 | A-7478-11H228 | | A-7478-11N197 | | A-7478-11P197 |
| | A-7478-A12E197 | 22-12-4128 | A-7478-12M197 | 22-16-3126 | A-7478-12H228 | | A-7478-12N197 | | A-7478-12P197 |
| | A-7478-A13E197 | 22-12-4138 | A-7478-13M197 | 22-16-3136 | A-7478-13H228 | | A-7478-13N197 | | A-7478-13P197 |
| | A-7478-A14E197 | 22-12-4148 | A-7478-14M197 | 22-16-3146 | A-7478-14H228 | | A-7478-14N197 | | A-7478-14P197 |
| | A-7478-A15E197 | 22-12-4158 | A-7478-15M197 | 22-16-3156 | A-7478-15H228 | | A-7478-15N197 | | A-7478-15P197 |
| | A-7478-A16E197 | 22-12-4168 | A-7478-16M197 | 22-16-3166 | A-7478-16H228 | | A-7478-16N197 | | A-7478-16P197 |
| | A-7478-A17E197 | 22-12-4178 | A-7478-17M197 | 22-16-3176 | A-7478-17H228 | 22-59-5176 | A-7478-17N197 | | A-7478-17P197 |
| | A-7478-A18E197 | 22-12-4188 | A-7478-18M197 | 22-16-3186 | A-7478-18H228 | | A-7478-18N197 | | A-7478-18P197 |
| 22-05-3195 | A-7478-A19E197 | 22-12-4198 | A-7478-19M197 | 22-16-3196 | A-7478-19H228 | | A-7478-19N197 | | A-7478-19P197 |
| | A-7478-A20E197 | 22-12-4208 | A-7478-20M197 | 22-16-3206 | A-7478-20H228 | | A-7478-20N197 | | A-7478-20P197 |
| | A-7478-A21E197 | 22-12-4218 | A-7478-21M197 | 22-16-3216 | A-7478-21H228 | | A-7478-21N197 | | A-7478-21P197 |
| | A-7478-A22E197 | 22-12-4228 | A-7478-22M197 | 22-16-3226 | A-7478-22H228 | | A-7478-22N197 | | A-7478-22P197 |
| | A-7478-A23E197 | 22-12-4238 | A-7478-23M197 | 22-16-3236 | A-7478-23H228 | | A-7478-23N197 | | A-7478-23P197 |
| | A-7478-A24E197 | 22-12-4248 | A-7478-24M197 | 22-16-3246 | A-7478-24H228 | | A-7478-24N197 | | A-7478-24P197 |
| | A-7478-A25E197 | 22-12-4258 | A-7478-25M197 | 22-16-3256 | A-7478-25H228 | | A-7478-25N197 | | A-7478-25P197 |
| | A-7478-A26E197 | 22-12-4268 | A-7478-26M197 | 22-16-3266 | A-7478-26H228 | | A-7478-26N197 | | A-7478-26P197 |
| | A-7478-A27E197 | 22-12-4278 | A-7478-27M197 | 22-16-3276 | A-7478-27H228 | | A-7478-27N197 | | A-7478-27P197 |
| | A-7478-A28E197 | 22-12-4288 | A-7478-28M197 | 22-16-3286 | A-7478-28H228 | | A-7478-28N197 | | A-7478-28P197 |

| | | | | | | | | | | | | | |
|-----------------|---|---|--|--------|--|-----------------|--|---|--|---|--|--|--|
| QUALITY SYMBOLS | | THIS DRAWING CONTAINS INFORMATION THAT IS PROPRIETARY TO MOLEX ELECTRONIC TECHNOLOGIES, LLC AND SHOULD NOT BE USED WITHOUT WRITTEN PERMISSION | | | | | | | | | | | |
| ▽ = 0 | SEE SHEET 1 EC NO: 111298 DRWN: MKIPPER CHKD: MKIPPER REV: APPR: FSMITH | GENERAL TOLERANCES (UNLESS SPECIFIED) | | | | DIMENSION UNITS | | SCALE | |  | | | |
| ▽ = 0 | | MM | | INCH | | MM/IN | | NTS | | | | | |
| ▽ = 0 | | 4 PLACES ± ± | | | | DRWN BY | | DATE | | FRICITION LOCK HEADER ASY .100 CL BENT SQ. PINS 7478 SERIES | | | |
| ▽ = 0 | | ± ± | | ± .010 | | GUZIC | | 1987/07/30 | | | | | |
| ▽ = 0 | | 3 PLACES ± ± | | | | CHK'D BY | | DATE | | PRODUCT CUSTOMER DRAWING | | | |
| ▽ = 0 | | ± 0.25 ± | | ± .015 | | PATEL | | 1987/07/30 | | | | | |
| ▽ = 0 | | 2 PLACES ± ± | | | | APPR BY | | DATE | | SERIES: 7478 MATERIAL NUMBER: SEE CHART CUSTOMER: GENERAL MARKET | | | |
| ▽ = 0 | | ± 0.38 ± | | ± | | FSMITH | | 2014/05/16 | | | | | |
| ▽ = 0 | | 1 PLACES ± ± | | | | DRAWING SIZE | | THIRD ANGLE PROJECTION | | DOCUMENT NUMBER: SDA-7478 DOC TYPE: PSD DOC PART: 000 SHEET NUMBER: 5 OF 5 | | | |
| ▽ = 0 | | ± ± | | ± | | C | |  | | | | | |
| ▽ = 0 | 0 PLACES ± ± | | | | ANGULAR TOL = 1/2 | | | | | | | | |
| ▽ = 0 | | | | | DRAFT WHERE APPLICABLE MUST REMAIN WITHIN DIMENSIONS | | | | | | | | |
| ▽ = 0 | | | | | | | | | | | | | |

单击下面可查看定价，库存，交付和生命周期等信息

[>>MOLEX](#)