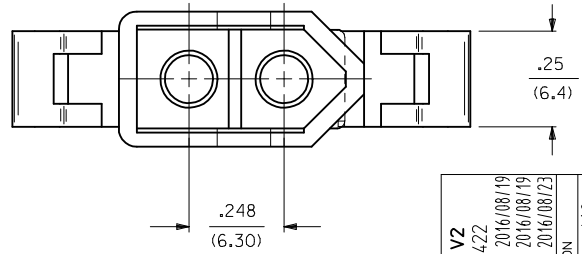
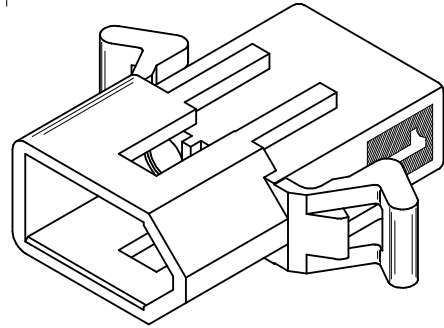
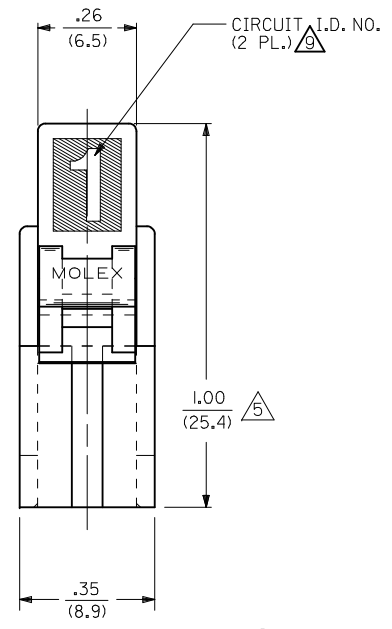
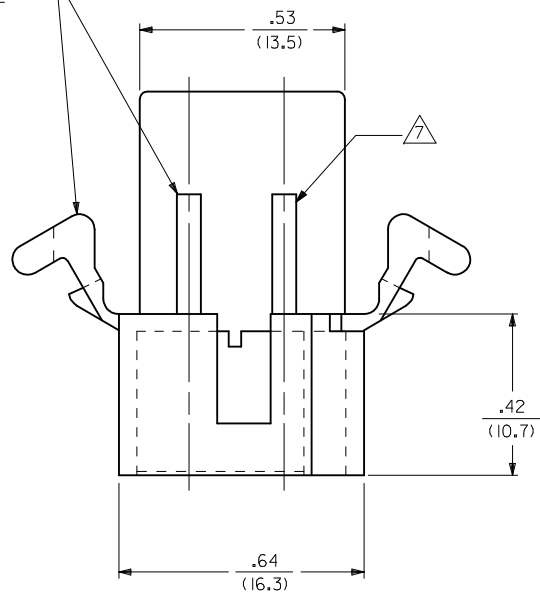
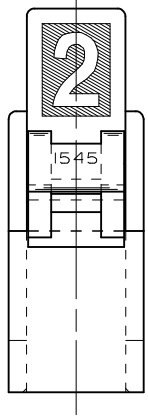


DETAIL "I"

OPTIONAL MOUNTING EARS AND RIBS (PRE-BENT EAR SHOWN) SEE DETAIL 3 & 4



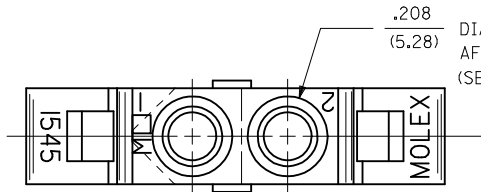
<b>MATERIAL B TO V2</b> EC NO: UCP2017-0422 DRWN:KIPPER 2016/08/19 CHKD:JBELL 2016/08/19 APPR:FSMITH 2016/08/23	QUALITY SYMBOLS	GENERAL TOLERANCES (UNLESS SPECIFIED)	DIMENSION STYLE	SCALE	DESIGN UNITS	THIRD ANGLE PROJECTION
	▽=0	mm INCH	IN/MM	4:1	INCH	
	▽=0	4 PLACES ± --- ± ---	DRAWN BY DATE			
	▽=0	3 PLACES ± --- ± .010	CHECKED BY DATE			
		2 PLACES ± 0.25 ± .014	RW 8/9/88			
		1 PLACE ± 0.35 ± ---	APPROVED BY DATE			
		0 PLACE ± --- ± ---	FSMITH 2014/07/10			
		ANGULAR ±1/2°	MATERIAL NO.			
		DRAFT WHERE APPLICABLE MUST REMAIN WITHIN DIMENSIONS	SEE CHART			
			SIZE C			

.093/(2.36) HOUSING,  
 PLUG & RECEPTACLE,  
 2 CKT., .248/(6.30) CTR.

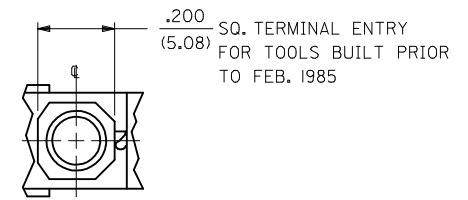
**molex**

SD-1545-\*

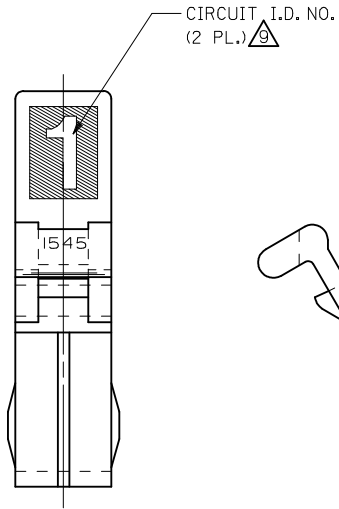
SHEET NO. 1 OF 3



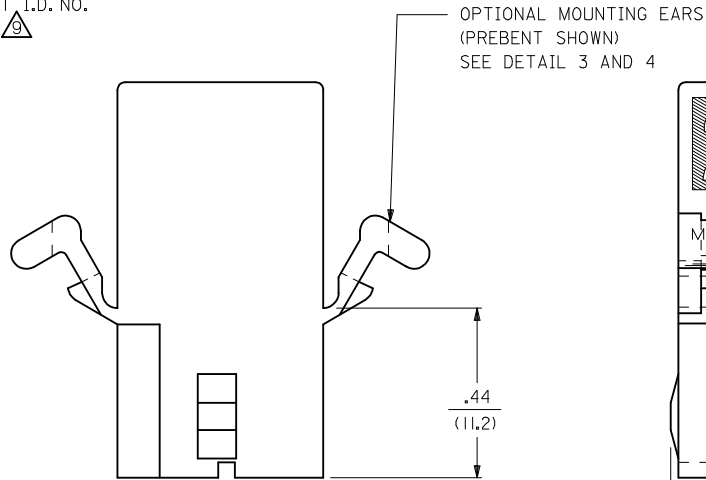
.208  
(5.28)  
DIA. TERMINAL ENTRY FOR TOOLS BUILT  
AFTER FEB. 1985.  
(SEE DETAIL 2 FOR OPTIONAL CONFIGURATION.)



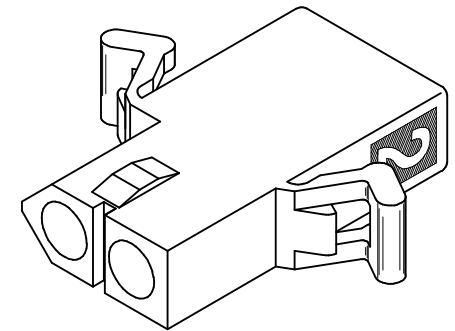
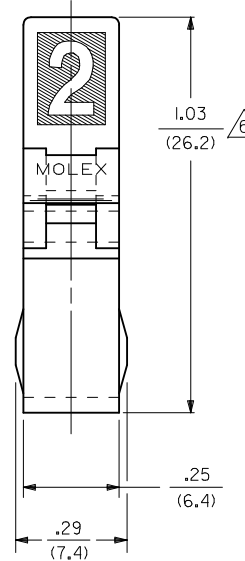
DETAIL "2"



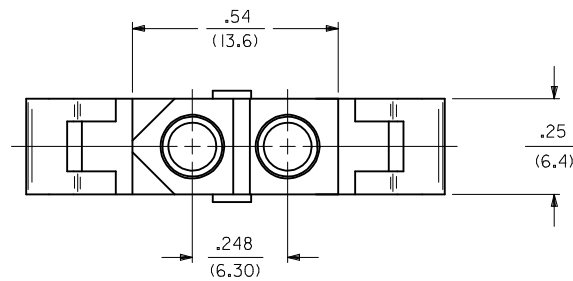
CIRCUIT I.D. NO.  
(2 PL.)



OPTIONAL MOUNTING EARS  
(PREBENT SHOWN)  
SEE DETAIL 3 AND 4



RECEPTACLE



SEE SHEET 1 EC NO: UCP2017-0422 DRW:MKIPPER 2016/08/19 CHKD:JBELL 2016/08/19 APPR:FSMITH 2016/08/23	QUALITY SYMBOLS ▽=0 ▽=0 ▽=0	GENERAL TOLERANCES (UNLESS SPECIFIED)		DIMENSION STYLE IN/MM		SCALE 4:1	DESIGN UNITS INCH	THIRD ANGLE PROJECTION	
			mm	INCH	DRAWN BY GEP	DATE 8/9/88	TITLE .093/(2.36) HOUSING, PLUG & RECEPTACLE, 2 CKT., .248/(6.30) CTR.	DOCUMENT NO. SD-1545-*	
		4 PLACES	± .005	± .010	CHECKED BY RW	DATE 8/9/88	MATERIAL NO.		SHEET NO. 2 OF 3
		3 PLACES	± .005	± .014	APPROVED BY FSMITH		DATE 2014/07/10		
		2 PLACES	± 0.25	± .014	SIZE C		THIS DRAWING CONTAINS INFORMATION THAT IS PROPRIETARY TO MOLEX INCORPORATED AND SHOULD NOT BE USED WITHOUT WRITTEN PERMISSION		
		1 PLACE	± 0.35	± .014	DRAFT WHERE APPLICABLE MUST REMAIN WITHIN DIMENSIONS				
		0 PLACE	± .005	± .014					
		ANGULAR ±1/2°							

PLUG	
PART NO.	ENG. NO.
03-09-2021	I545-P
03-09-2022	I545-P1
03-09-7021	I545-PBK
03-09-7022	I545-P1BK
03-09-2023	I545-P2
03-09-7024	I545-P1RD
03-09-7023	I545-P1BU
50-36-1686	I545-P1-1

RECEPTACLE	
PART NO.	ENG. NO.
03-09-6021	I545-R3BK
03-09-6023	I545-R3RD
03-09-6024	I545-R3BU
03-09-1022	I545-R1
03-09-1023	I545-R2
03-09-6025	I545-R1BU
03-09-1027	I545-R3
50-36-1685	I545-R1-1

**LEGEND : PLUG**

1545-P\*\*\*\*\*

OPTIONS: \_\_\_\_\_

BLANK = WITH STD. EARS  
 1 = WITHOUT EARS  
 2 = WITH PREBENT EARS

COLOR: BLANK=NATURAL COLOR \_\_\_\_\_

AM=AMBER BK=BLACK BU=BLUE  
 BN=BROWN GY=GRAY GN=GREEN  
 OR=ORANGE RD=RED YW=YELLOW

\*APPLIES TO MATERIAL A ONLY  
 MATERIAL B ONLY AVAILABLE IN BLACK

BLANK = MATERIAL CODE A \_\_\_\_\_  
 1 = MATERIAL CODE B

**LEGEND : RECEPTACLE**

1545-R\*\*\*\*\*

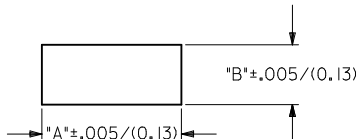
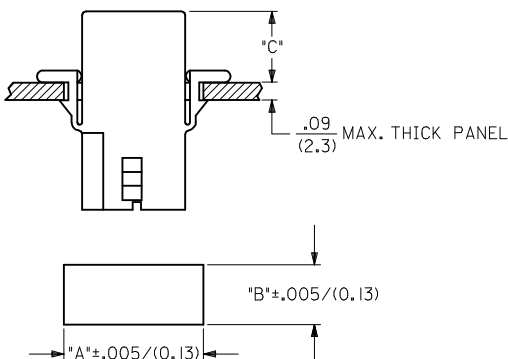
BLANK = WITH STD. EARS & RAMPS \_\_\_\_\_  
 1 = WITHOUT EARS, WITH RAMPS  
 2 = WITHOUT EARS, WITHOUT RAMPS  
 3 = WITH PREBENT EARS & RAMPS

COLOR: BLANK=NATURAL COLOR \_\_\_\_\_

AM=AMBER BK=BLACK BU=BLUE  
 BN=BROWN GY=GRAY GN=GREEN  
 OR=ORANGE RD=RED YW=YELLOW

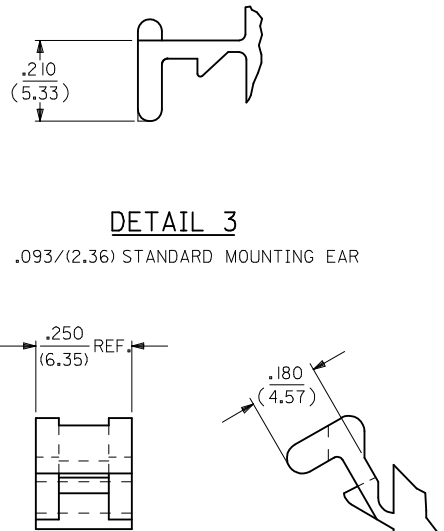
\*APPLIES TO MATERIAL A ONLY  
 MATERIAL B ONLY AVAILABLE IN BLACK

BLANK = MATERIAL CODE A \_\_\_\_\_  
 1 = MATERIAL CODE B



RECOMMENDED PANEL OPENING  
(SCALE 2:1)

HOUSING	DIM. "A"	DIM. "B"	DIM. "C" (PREBENT)	DIM. "C" (STD. EAR)
PLUG	.800/(20.32)	.375/(9.53)	.40/(10.2)	.39/(9.9)
RECEPTACLE	.725/(18.42)	.312/(7.92)	.41/(10.4)	.40/(10.2)



**NOTES:**

- MATERIAL: - A = NYLON, PA66, 94V-2. COLOR: SEE LEGEND.  
 B = PA6 NYLON, UL94V-2, GLOW WIRE CAPABLE PER IEC 60335-1. COLOR: BLACK
- FINISH: NONE.
- PRODUCT SPECIFICATION: PS-02-09.
- PACKAGING INFORMATION: PK-1545-001
- .97/(24.6) REF. FOR TOOLS BUILT PRIOR TO FEB. 1985.
- 1.00/(25.4) REF. FOR TOOLS BUILT PRIOR TO FEB. 1985.
- RIBS ARE PRESENT ONLY ON PARTS WITH MOUNTING EARS.
- EACH TERMINAL POCKET WILL ACCEPT UP TO:  
 (2) #18 AWG WIRES HAVING 1/32" THK. INSULATION OR  
 (1) #16 AWG WIRE HAVING 1/16" THK. INSULATION OR  
 (1) #16 AWG & (1) #18 AWG WIRE HAVING 1/32" THK. INSULATION .
- CIRCUIT I.D. NUMBERS ON SIDE OF HOUSING APPEAR ON PARTS FROM TOOLS BUILT AFTER 11/25/91.
- PARTS CONFORM TO CLASS 'B' REQUIREMENTS OF COSMETIC SPECIFICATION PS-45499-002 EXCEPT MATERIAL OPTION 'B' MEETS CLASS 'C' REQUIREMENTS FOR SINK AND DISCOLORATION.

<b>SEE SHEET 1</b> EC NO: UCP2017-0422 DRW:MK/PPR 2016/08/19 CHKD:JBELL 2016/08/19 APPR:FSM/TH 2016/08/23	QUALITY SYMBOLS ▽=0 ▽=0 ▽=0	GENERAL TOLERANCES (UNLESS SPECIFIED) <table border="1"> <thead> <tr> <th></th> <th>mm</th> <th>INCH</th> </tr> </thead> <tbody> <tr><td>4 PLACES</td><td>± ---</td><td>± ---</td></tr> <tr><td>3 PLACES</td><td>± ---</td><td>± .010</td></tr> <tr><td>2 PLACES</td><td>± 0.25</td><td>± .014</td></tr> <tr><td>1 PLACE</td><td>± 0.35</td><td>± ---</td></tr> <tr><td>0 PLACE</td><td>± ---</td><td>± ---</td></tr> </tbody> </table>		mm	INCH	4 PLACES	± ---	± ---	3 PLACES	± ---	± .010	2 PLACES	± 0.25	± .014	1 PLACE	± 0.35	± ---	0 PLACE	± ---	± ---	DIMENSION STYLE <b>IN/MM</b>	SCALE <b>4:1</b>	DESIGN UNITS <b>INCH</b>	THIRD ANGLE PROJECTION
		mm	INCH																					
	4 PLACES	± ---	± ---																					
	3 PLACES	± ---	± .010																					
2 PLACES	± 0.25	± .014																						
1 PLACE	± 0.35	± ---																						
0 PLACE	± ---	± ---																						
DRAFT WHERE APPLICABLE MUST REMAIN WITHIN DIMENSIONS		DRAWN BY: GEP DATE: 8/9/88 CHECKED BY: RW DATE: 8/9/88 APPROVED BY: FSM/TH DATE: 2014/07/10	.093/(2.36) HOUSING, PLUG & RECEPTACLE, 2 CKT., .248/(6.30) CTR.																					
MATERIAL NO.		<b>SEE CHART</b>		DOCUMENT NO.		SHEET NO.																		
		<b>SD-1545-*</b>		<b>molex</b>		<b>3 OF 3</b>																		

单击下面可查看定价，库存，交付和生命周期等信息

[>>MOLEX](#)