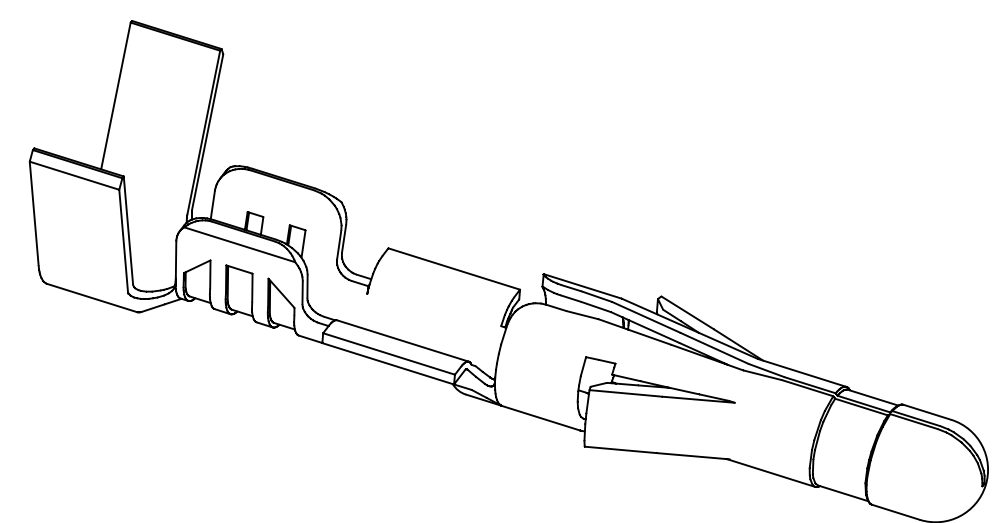
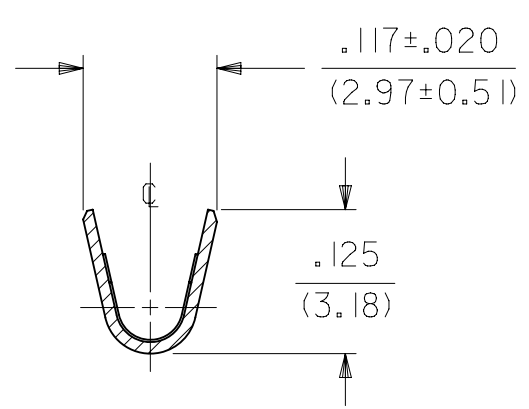
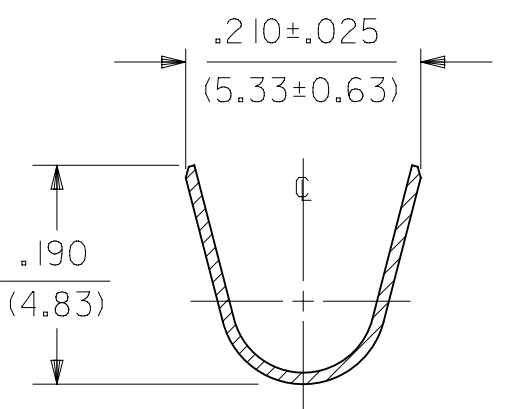
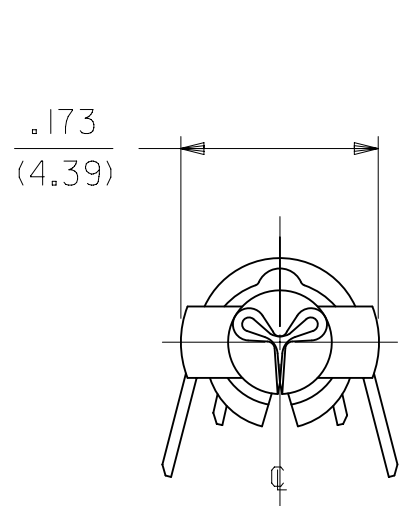


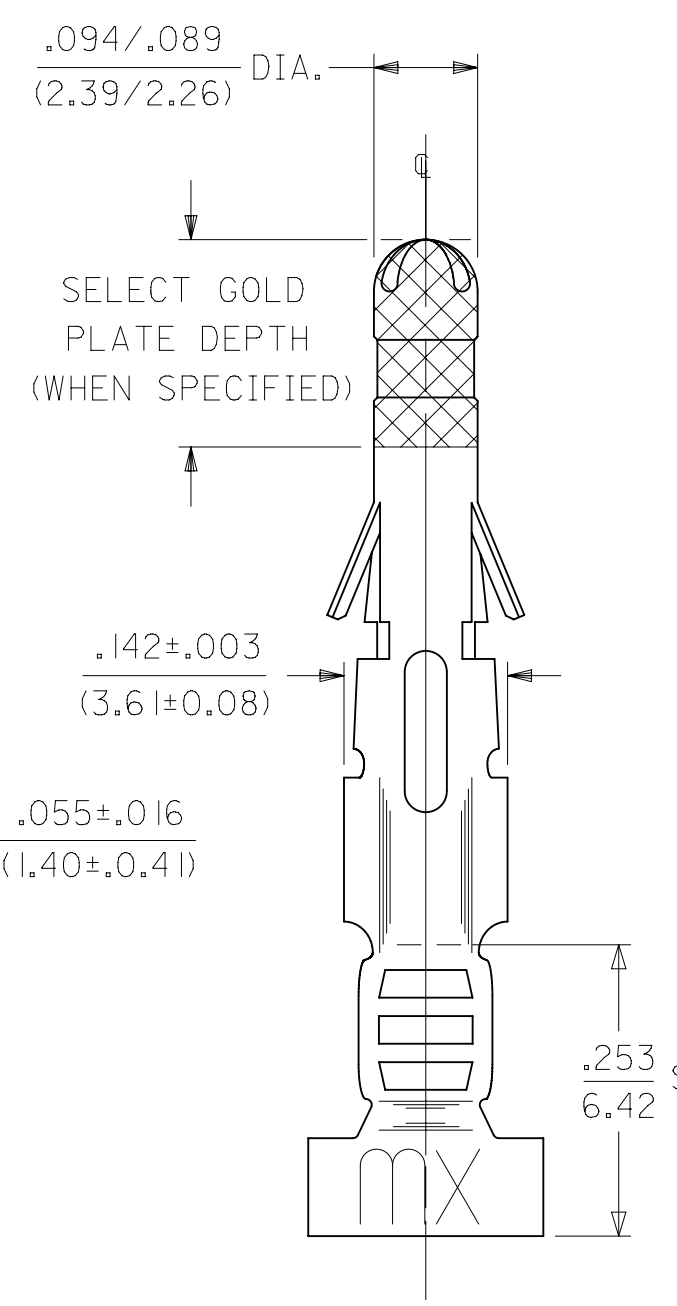
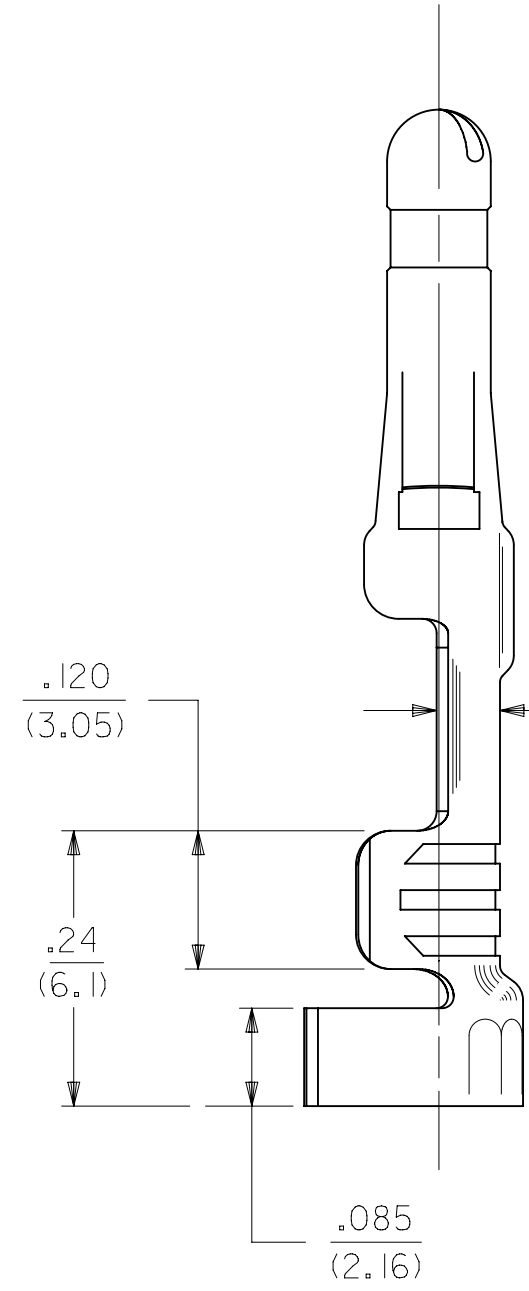
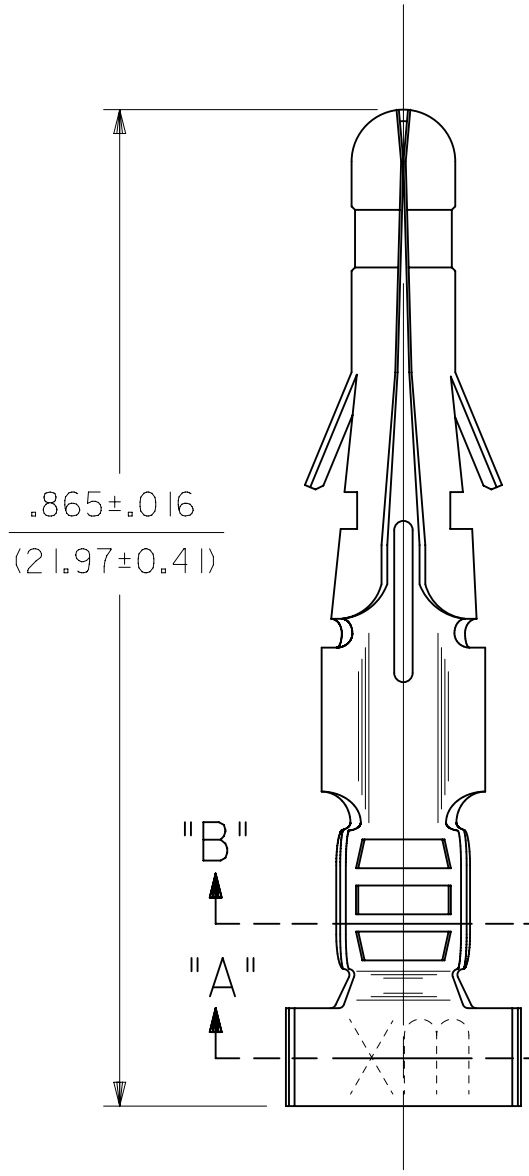
PART NO.	ENG. NO.	INTERLEAF PAPER OPTION
02-09-2103	1190-(P901)L	
02-09-2101	1190-(P901)	
02-09-6106	1190-(550)L	
02-09-6100	1190-(550)	



SECT. "B-B"



SECT. "A-A"



SELECT GOLD PLATE DEPTH (WHEN SPECIFIED)

SEE NOTE 7

- NOTES:
- MATERIAL:
CARTRIDGE BRASS
 - FINISH CODES:
901 HOT TIN DIP .000020/(0.00051) MIN.
591 SELECT GOLD PLATE .000050/(0.00127) MIN. IN CONTACT AREA, OVER .000050/(0.00127) MIN. NICKEL OVERALL WITH .000010/(0.00025) MAX. GOLD FLASH OVERALL.
550 SELECT GOLD PLATE .000015/(0.00038) MIN. IN CONTACT AREA, OVER .000030/(0.00076) MIN. NICKEL OVERALL WITH .000010/(0.00025) MAX. GOLD FLASH OVERALL.
 - PRODUCT SPECIFICATION: PS-43660-9999
 - PACKAGING SPECIFICATION: PK-1190-001
 - INSERTION FORCE: 5.0 LBS. MAX. WHEN TERMINAL IS INSERTED INTO .093 SERIES HOUSING.
 - RETENTION: 20 LBS. MIN. FROM HOUSING.
 - DIMENSION FROM THE END OF THE TERMINAL TO THE END OF THE BRUSH ON THE WIRE CRIMPED INTO THE TERMINAL.
 - TERMINAL FOR USE WITH .093/(2.36) SERIES HOUSINGS AND WILL ACCEPT 14 THRU 20 AWG WIRE.

LEGEND

1190-(****)*-*

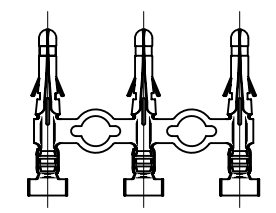
INTERLEAF PAPER OPTION

FORM
BLANK=CHAIN
L=LOOSE

BLANK: INTERLEAF PAPER ON FIRST FEW WRAPS ONLY.
I: INTERLEAF PAPER THROUGH OUT REEL.

P=PREPLATE
BLANK=POSTPLATE

FINISH CODE



CHAIN FORM FULL SCALE

THIS DRAWING CONTAINS INFORMATION THAT IS PROPRIETARY TO MOLEX ELECTRONIC TECHNOLOGIES, LLC AND SHOULD NOT BE USED WITHOUT WRITTEN PERMISSION											
DIMENSION UNITS IN/MM		SCALE 6:1		CURRENT REV DESC: OBSOLETE PART NUMBER				molex		CRIMP TERMINAL, MALE .093/(2.36) DIA. FOR 14 THRU 20 AWG. WIRE	
GENERAL TOLERANCES (UNLESS SPECIFIED)				EC NO: 637127							
4 PLACES ±		±		DRWN: AKUMAR19				2020/05/06		PRODUCT CUSTOMER DRAWING	
3 PLACES ±		± 0.01		CHK'D: GGA				2020/05/15		DOCUMENT NUMBER	
2 PLACES ±		0.25 ±		APPR: GGA				2020/05/15		SD-1190-X	
1 PLACE ±		0.36 ±		INITIAL REVISION:				2010/06/23		DOC TYPE DOC PART REVISION	
0 PLACES ±		±		DRWN: AELHAG				2010/06/09		PSD 001 BT	
ANGULAR TOL ± 0.5 °				APPR: FSMITH							
DRAFT WHERE APPLICABLE MUST REMAIN WITHIN DIMENSIONS		THIRD ANGLE PROJECTION		DRAWING		SERIES		MATERIAL NUMBER		CUSTOMER	
				C-SIZE		1190		SEE TABLE		GENERAL MARKET	
DOCUMENT STATUS		P1		RELEASE DATE		2020/05/15		16:30:05		SHEET NUMBER	
										1 OF 1	

单击下面可查看定价，库存，交付和生命周期等信息

[>>MOLEX](#)