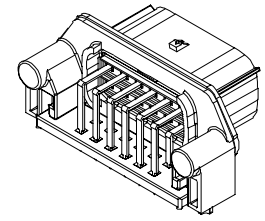
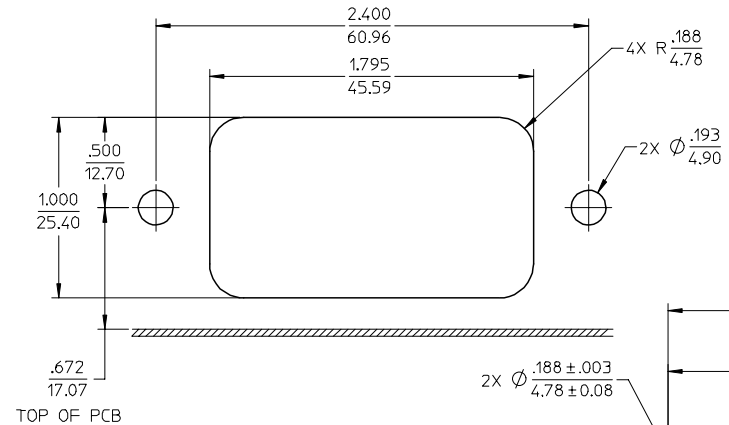


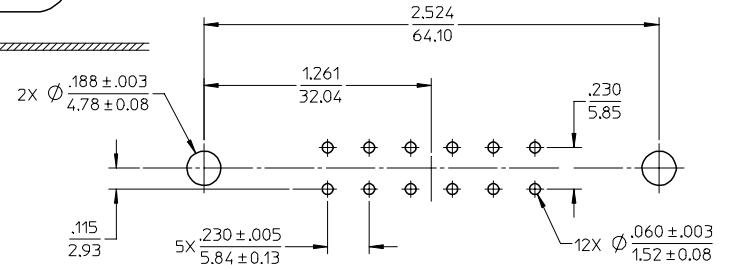
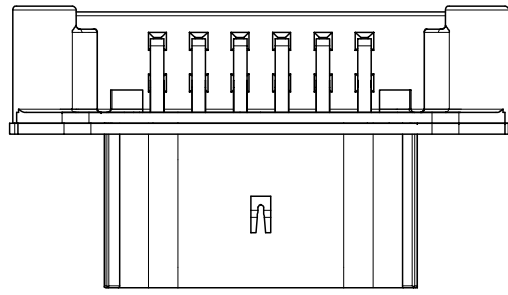
13 12 11 10 9 8 7 6 5 4 3 2 1

J
I
H
G
F
E
D
C
B
A

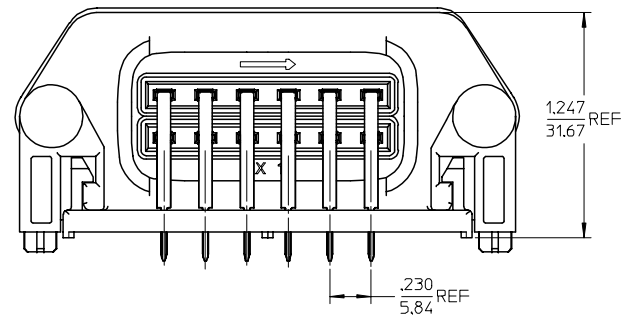
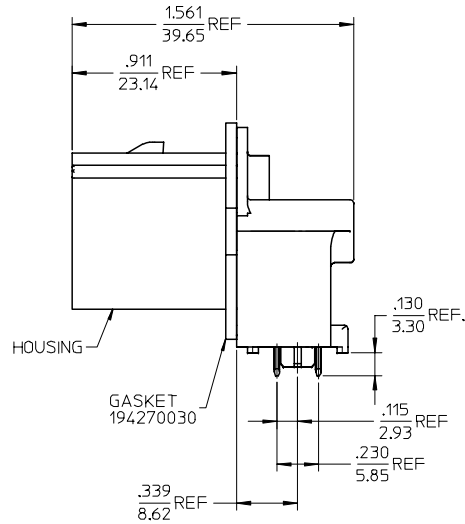
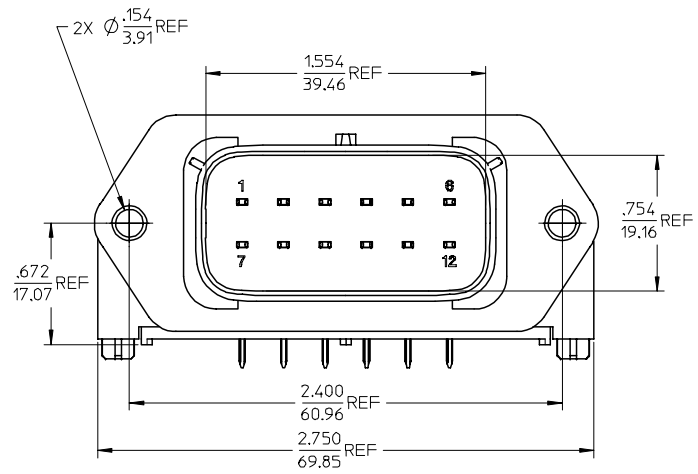
RECOMMENDED PANEL MOUNT OPENING
MAX PANEL THK .080/2.03



ASSEMBLED VIEW
1:1 SCALE



RECOMMENDED PCB LAYOUT
COMPONENTS SIDE
TOLERANCES ARE NON-ACCUMULATIVE



NOTES:

- MATERIALS:
HOUSING: POLYESTER (PBT), GLASS FILLED, UL94 V-0, COLOR: BLACK
TERMINALS: COPPER ALLOY
- FINISHES: 1. TIN ONLY: 100µN TIN OVER 50µN NICKEL
2. TIN/GOLD: 30µN SELECT GOLD (CONTACT MATING AREA), 100µN SELECT TIN (PCB TAIL AREA) OVER 50µN NICKEL OVERALL.
- PRODUCT SPECIFICATION: PS-19427-001.
- PACKAGING SPECIFICATION: PK-19427-001.
- MATES WITH: 19418 SERIES RECEPTACLE ASSEMBLIES.
- RECOMMENDED MOUNTING HARDWARE: (2) #10 X .62/18.9 LONG PLASTIC THREAD CUTTING SCREWS. RECOMMENDED TORQUE 15-17 IN-LBS. SUGGESTED SOURCE: ITW SHAKEPROOF INDUSTRIAL BOSSCREW OR EQUIVALENT.

MATERIAL NO.	TERMINAL PLATING
194270012	TIN
194270103	TIN/GOLD

REVISED EC NO: ETC2006-0028 DRAWN: JPANLCK 2005/10/10 CHKD: JPANLCK1 2005/10/11 APPR: RDEROSS 2005/10/11 REV DESCRIPTION	QUALITY SYMBOLS	GENERAL TOLERANCES (UNLESS SPECIFIED) mm INCH 4 PLACES ± --- ± --- 3 PLACES ± --- ± .015 2 PLACES ± 0.38 ± --- 1 PLACE ± --- ± --- ANGULAR ± 1 °	DIMENSION STYLE		SCALE	DESIGN UNITS	THIRD ANGLE PROJECTION	
			IN/MM	2:1	INCH			
				DRAWN BY		DATE		TITLE
				BRUPERT		04/07/28		12 WAY RIGHT ANGLE HEADER ASSEMBLY
			CHECKED BY		DATE			
			JPANLCK1		04/07/28			
			APPROVED BY		DATE			
			RDEROSS		04/07/28			
		DRAFT WHERE APPLICABLE MUST REMAIN WITHIN DIMENSIONS		MATERIAL NO.		DOCUMENT NO.		
				SEE CHART		SD-19427-024		
				SIZE		SHEET NO.		
				C		1 OF 1		



12 11 10 9 8 7 6 5 4 3 2 1

单击下面可查看定价，库存，交付和生命周期等信息

[>>MOLEX](#)