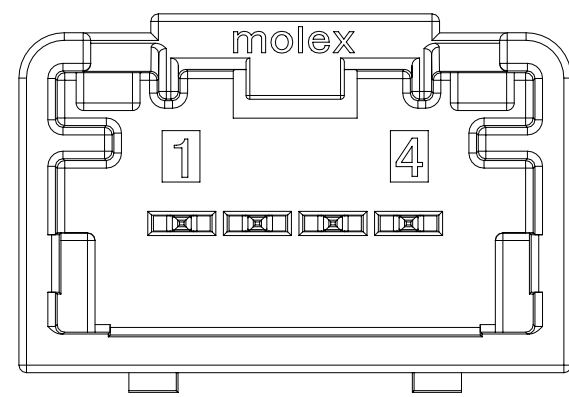
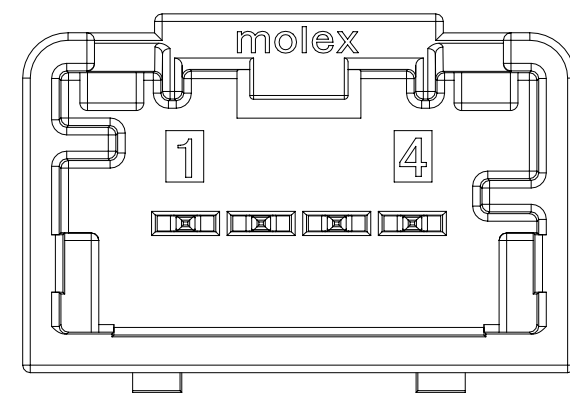


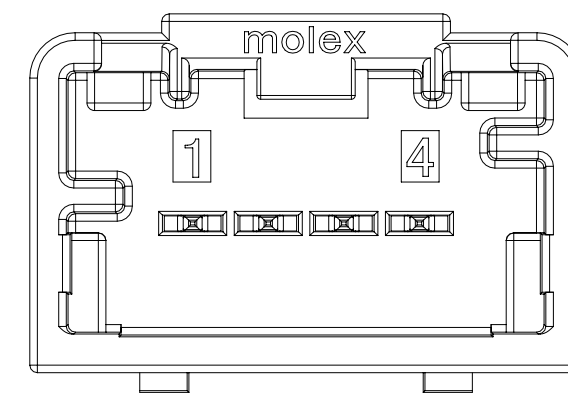
4 CIRCUIT VERTICAL HEADER  
POLARIZATION OPTION A



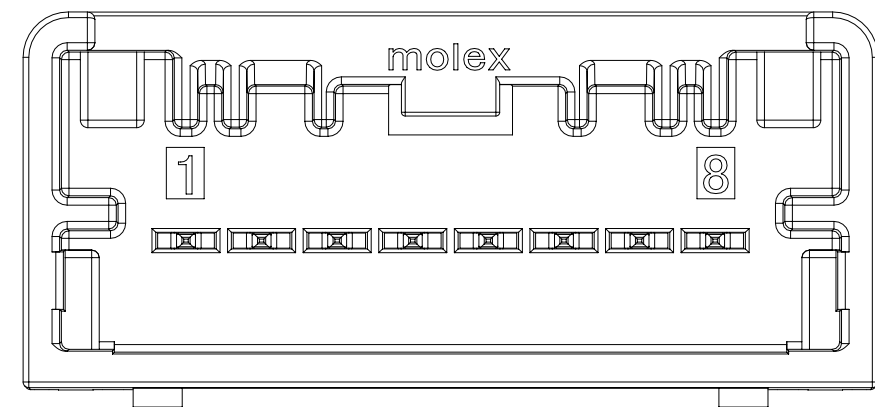
4 CIRCUIT VERTICAL HEADER  
POLARIZATION OPTION B



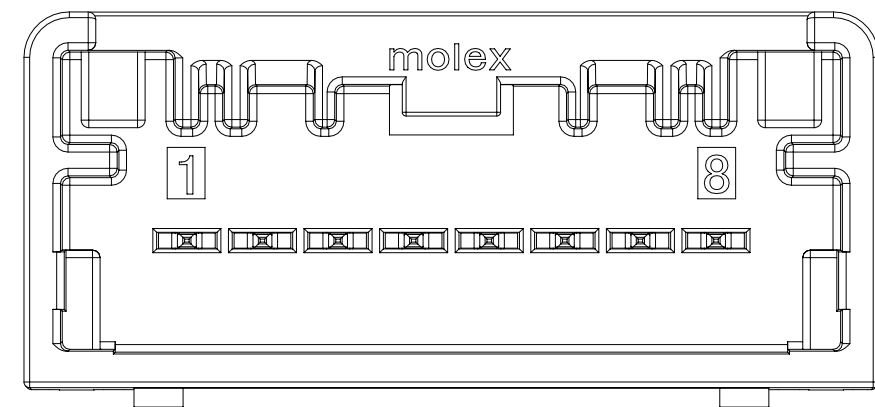
4 CIRCUIT VERTICAL HEADER  
POLARIZATION OPTION C



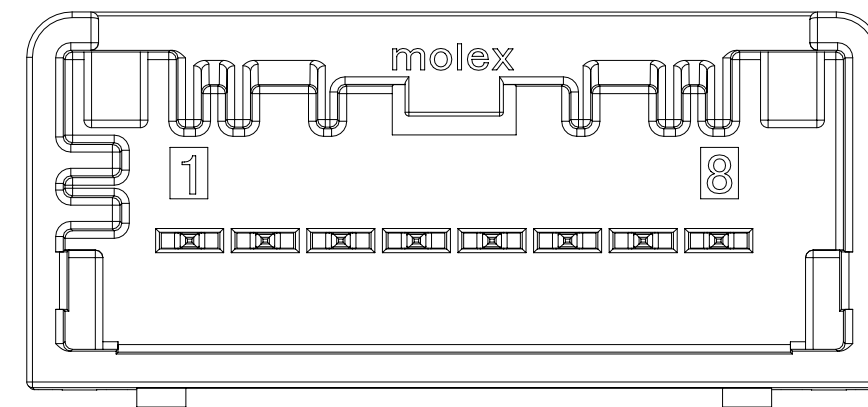
4 CIRCUIT VERTICAL HEADER  
POLARIZATION OPTION D



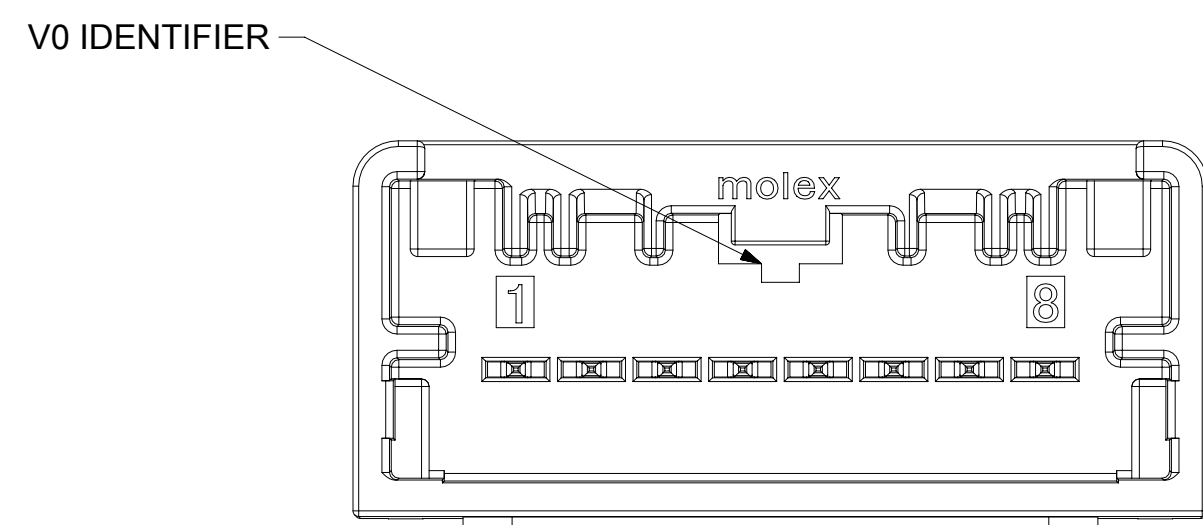
8 CIRCUIT USCAR VERTICAL HEADER  
POLARIZATION OPTION A



8 CIRCUIT USCAR VERTICAL HEADER  
POLARIZATION OPTION B



8 CIRCUIT USCAR VERTICAL HEADER  
POLARIZATION OPTION C



8 CIRCUIT USCAR V0 VERTICAL HEADER  
POLARIZATION OPTION A

NOTES: VALID UNLESS OTHERWISE SPECIFIED

1. GENERAL:
  - a. APPLICATION SPECIFICATION SEE: AS-34791-020
  - b. PRODUCT SPECIFICATION SEE: PS-34791-020
  - c. PACKAGING SPECIFICATION PER MOLEX DRAWING: SEE CHART
  - d. SOLDERABILITY PER SMES-152
  - e. PARTS MUST BE IN COMPLIANCE TO MOLEX CHEMICAL SUBSTANCES FOR PRODUCTS AND PACKAGING SPECIFICATION: QEHS-699000-300
  - f. DATA MUST BE SUBMITTED UNDER THE MOLEX PART NUMBER TO IMDS (COMPANY ID#13255)
  - g. FLAMMABILITY REQUIREMENT: PER ISO3795 OR GM3191
  - h. VISUAL DEFECTS SHALL MEET COSMETIC STANDARD PS-45499-002 (Class B)
2. DESIGN - MATERIALS:
  - a. SHROUD (PLASTIC HOUSING): SPS 30% GF, 20% REGRIND MAX PER WEIGHT
  - b. BLADES:
    - BASE METAL: C260 BRASS
    - PLATING REQUIREMENTS:
      - TIN OVER NICKEL:
      - UNDERPLATING:
      - OVERALL NICKEL
      - OVERPLATING:
      - OVERALL TIN
3. DESIGN - GEOMETRY:
  - a. THIS IS A 100% CAD GENERATED PART. THE CAD MATHEMATICAL DATA IS THE MASTER FOR THIS PART. FOR DIMENSIONAL OR ANY INFORMATION NOT SHOWN ON THIS DRAWING, ANALYZE THE CAD MODEL.
  - b. GEOMETRIC DIMENSIONS AND TOLERANCES PER ASME Y14.5M - 2009
  - c. GENERAL TOLERANCES:
    - LINEAR: SEE TITLE BLOCK
    - ANGULAR: -3°
  - d. EDGES AND UNDIMENSIONED DETAILS PER ISO13715
  - e. CORNERS SHOWN AS SHARP TO BE R 0.1 MAX
  - f. LETTERING SHALL BE 0.10 MAX RAISED. THIS INCLUDES RECYCLING CODE, PLANT AND CAVITY ID, VENDOR ID, AND CIRCUIT ID.
  - g. USCAR INTERFACE:
    - 4 WAY: 050-U-004-1-ZXX
    - 8 WAY: 050-U-008-1-ZXX

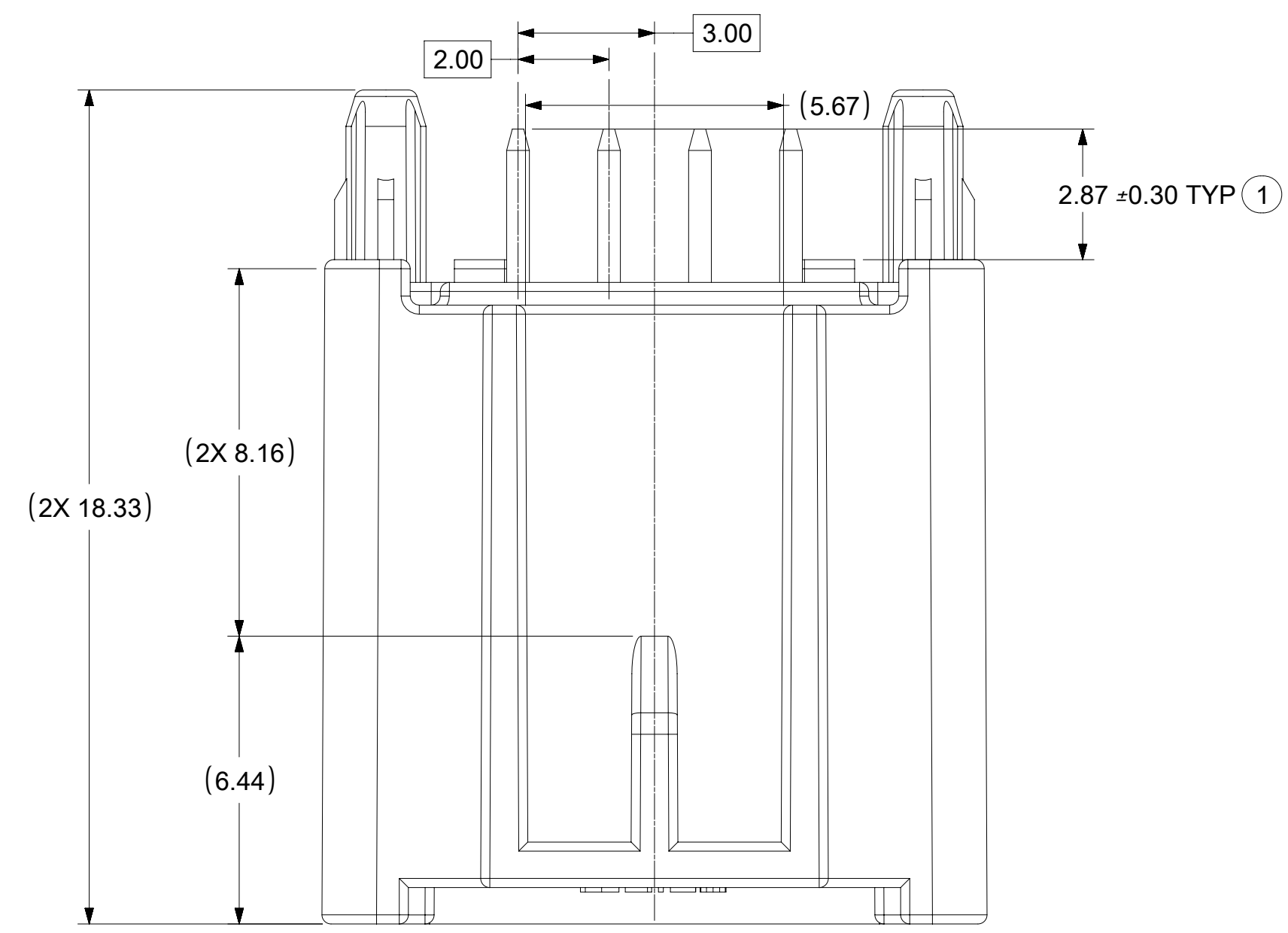
MINI50 VERTICAL HEADER ASSEMBLIES

MATERIAL NUMBER			CONFIGURATION	FLAMMABILITY	CIRCUITS	VOIDED CIRCUITS	POL	COLOR	BLADE PLATING	MATING COMPONENT	
TAPE AND REEL PACKAGING PK-47799-0001	TUBE PACKAGING PK-31301-688	TRAY PACKAGING PK-31301-440								UN-BRIDGED	BRIDGED
34792-8040	34792-9040	34792-0040	USCAR	HB	4	N/A	A	BLACK	TIN	34791-0040	34791-0140
34792-8041	34792-9041	34792-0041	USCAR	HB	4	N/A	B	GRAY	TIN	34791-0041	34791-0141
34792-8042	34792-9042	34792-0042	USCAR	HB	4	N/A	C	DARK GRAY	TIN	34791-0042	34791-0142
34792-8043	34792-9043	34792-0043	USCAR	HB	4	N/A	D	GREEN	TIN	34791-0043	34791-0143
34792-8080	34792-9080	34792-0080	USCAR	HB	8	N/A	A	BLACK	TIN	34791-0080	34791-0180
N/A	N/A	34792-0085	USCAR	HB	8	2,3,6,7					
34792-8081	34792-9081	34792-0081	USCAR	HB	8	N/A	B	GRAY	TIN	34791-0081	34791-0181
N/A	N/A	34792-2081	USCAR	HB	8	2,3,6,7					
34792-8082	34792-9082	34792-0082	USCAR	HB	8	N/A	C	DARK GRAY	TIN	34791-0082	34791-0182
N/A	N/A	34792-0086	USCAR	HB	8	2,3,4,5,6,7	A	BLACK	TIN	34791-0080	34791-0180
N/A	N/A	34792-0087	USCAR	HB	8	2,3,4,5,6,7	B	GRAY	TIN	34791-0081	34791-0181
215424-8080	215424-9080	215424-0080	USCAR	V0	8	N/A	A	BLACK	TIN	34791-0080	34791-0180
215424-8081	215424-9081	215424-0081	USCAR	V0	8	N/A	B	GRAY	TIN	34791-0081	34791-0181
215424-8082	215424-9082	215424-0082	USCAR	V0	8	N/A	C	DARK GRAY	TIN	34791-0082	34791-0182

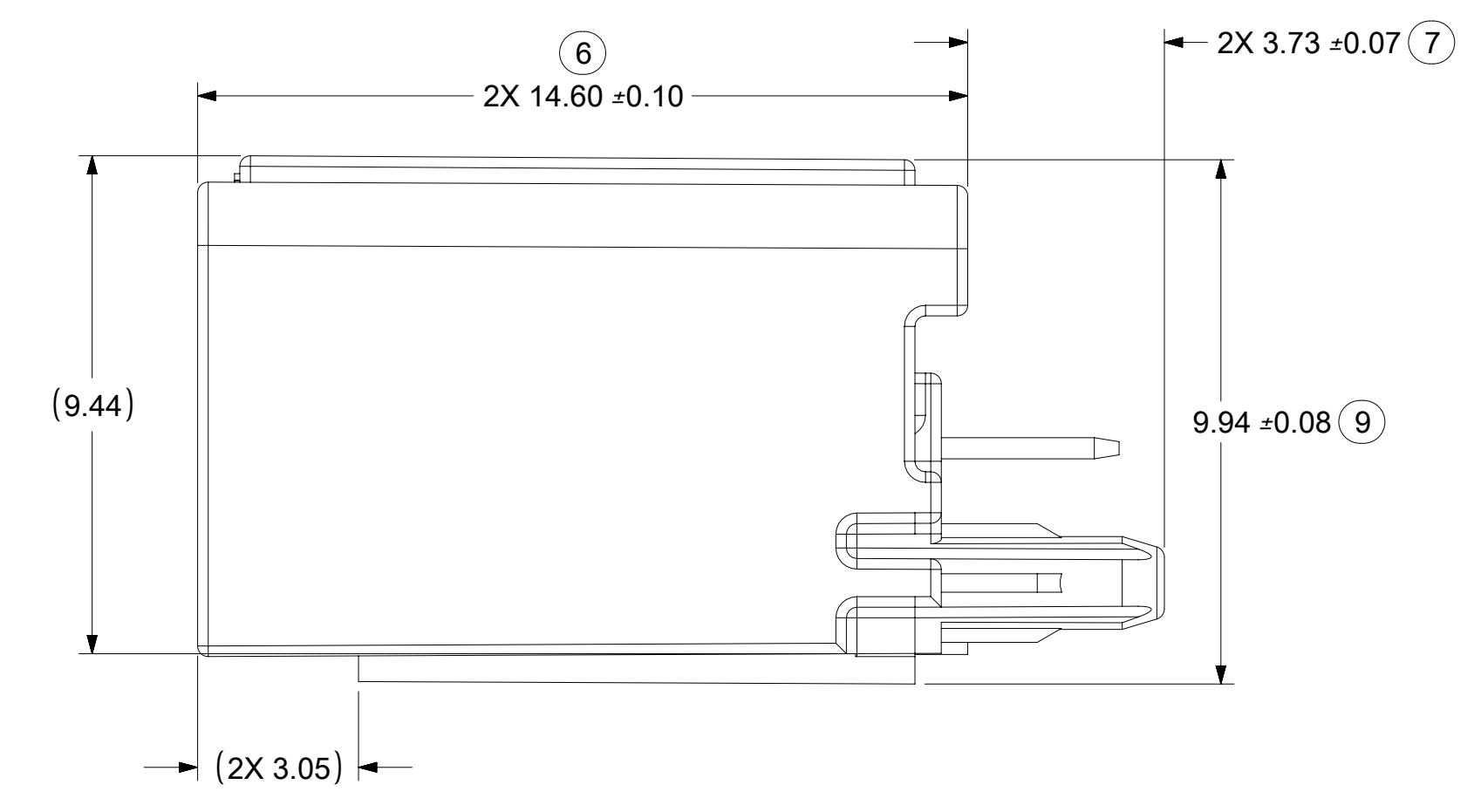
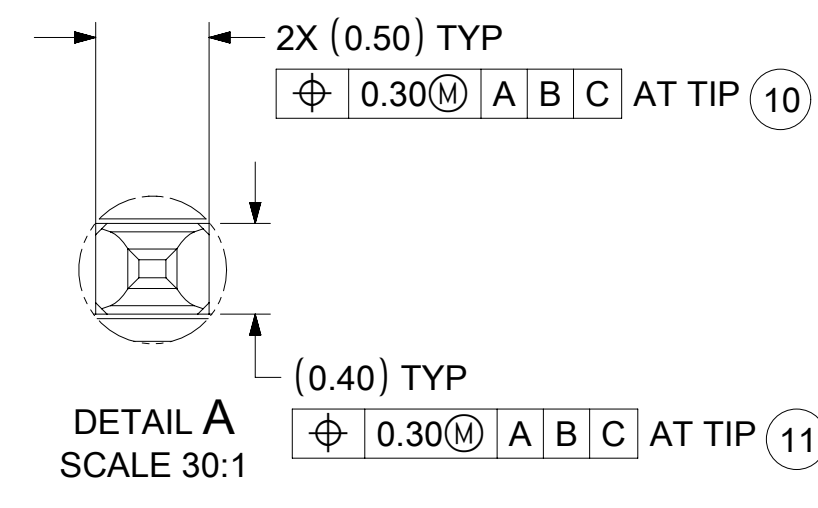
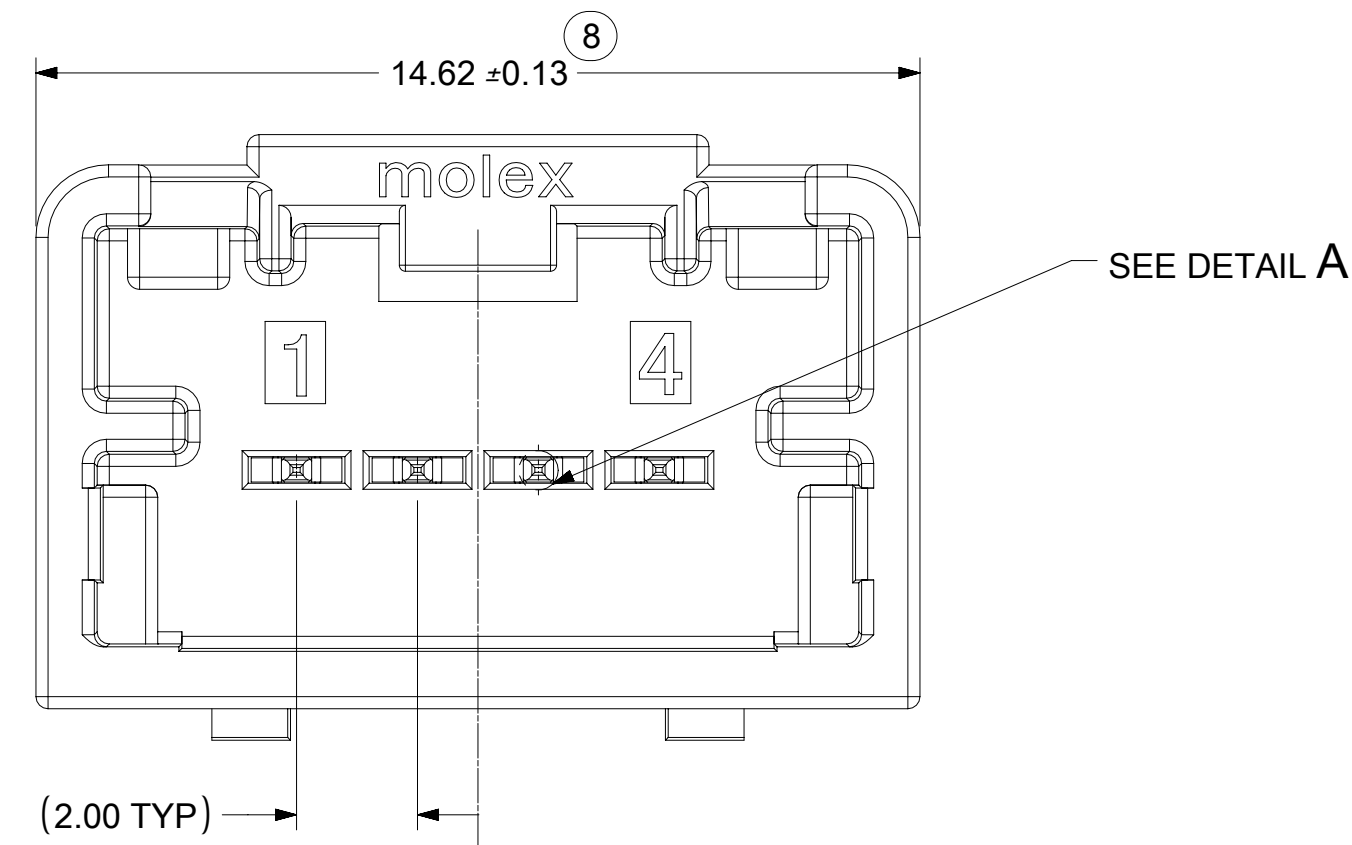
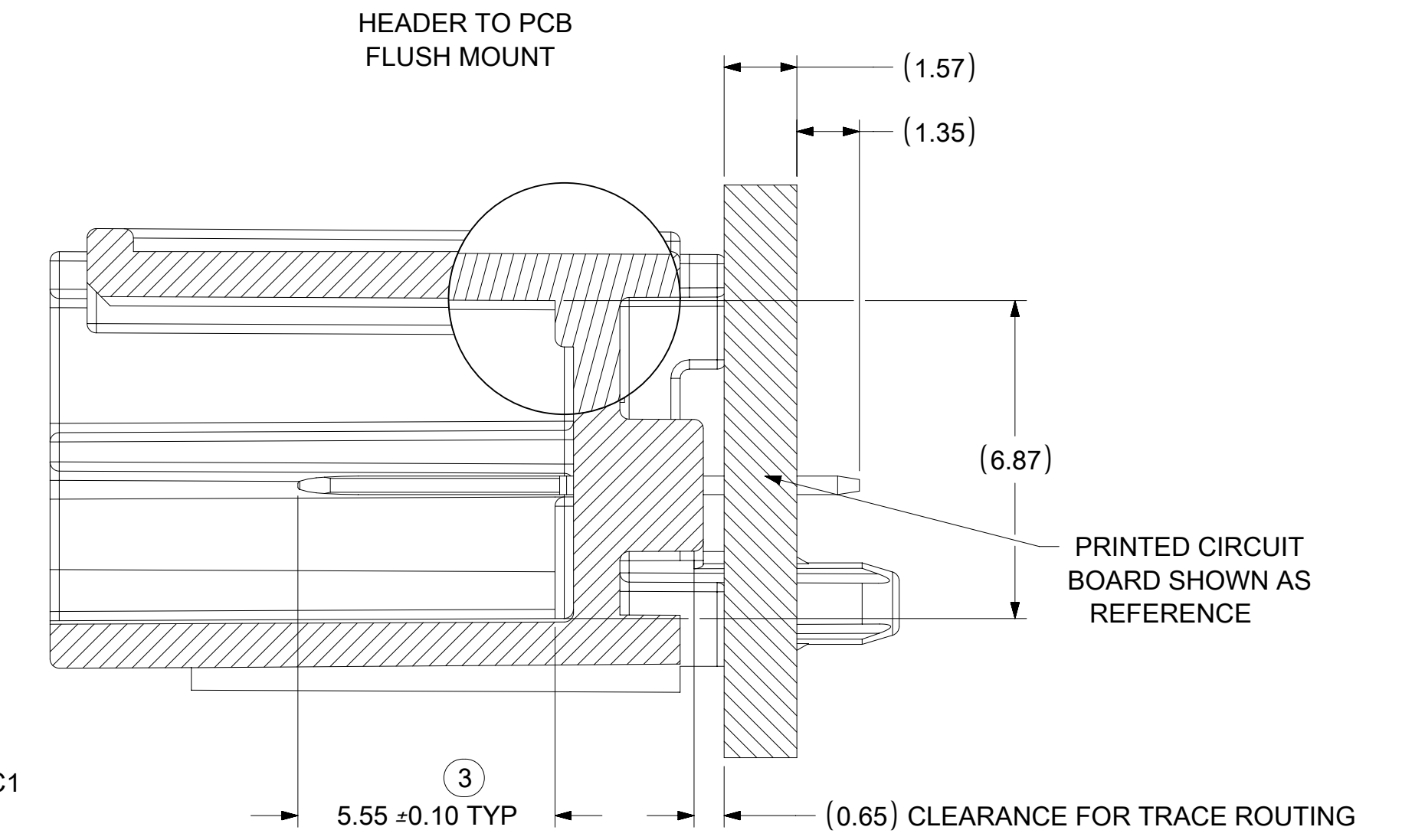
INSPECTION BALLON NUMBER LOG		G7	Sheet 2: Corrected Dims 7 and 9
PER DRAWING REVISION: G7		G6	ADDED NOTE 3g ON SHEET 1
LAST BALLOON USED: 17		G5	ADDED V0 PNs TO BOM AND V0 VIEW TO SHEET 1
ADDED BALLOON NUMBERS: 16, 17		G4	DRAWING REMASTERED
REMOVED BALLOON NUMBERS: 4		G3	UPDATED RELEASE TABLE; ADDED PIN TP SHEET 3
		G2	ADDED P/N 34792-0085; -0086; -0087; ADDED PIN TP SHEET 2
		G1	NX REMASTERING
		REV	DESCRIPTION

THIS DRAWING CONTAINS INFORMATION THAT IS PROPRIETARY TO MOLEX ELECTRONIC TECHNOLOGIES, LLC AND SHOULD NOT BE USED WITHOUT WRITTEN PERMISSION

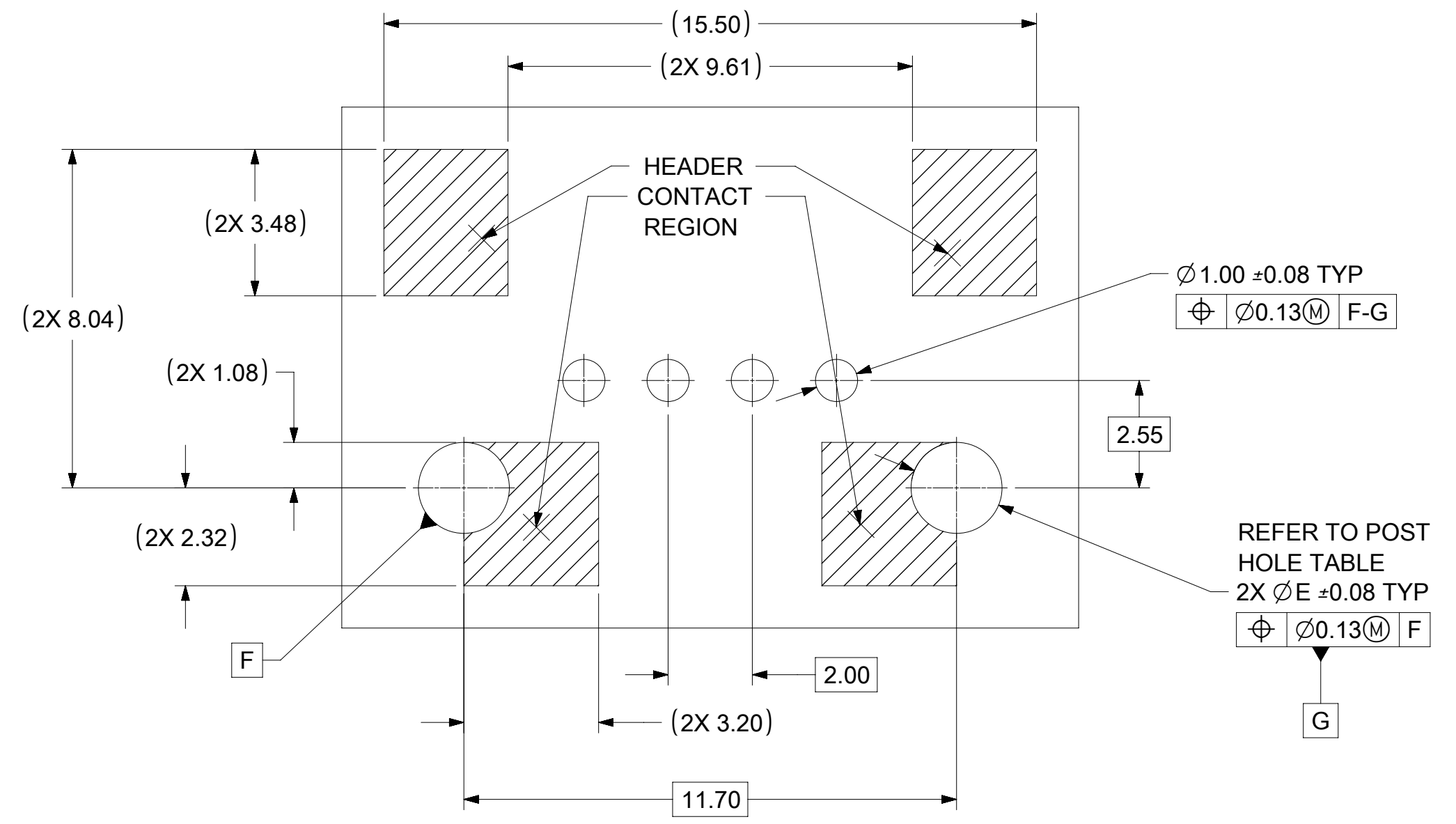
EC NO: 645743 DRWN: SRUSS CHKD: JDUNAJ REV APPR: JDUNAJ	GENERAL TOLERANCES (UNLESS SPECIFIED)	DIMENSION UNITS	SCALE		
	ANGULAR TOL ± °	MM ONLY	5:1		
	4 PLACES ±	DRWN BY	DATE		
	3 PLACES ±	JDUNAJ	2010/06/24		
2 PLACES ± 0.1	CHKD BY	DATE	MINI50 4-8CKT VERTICAL HDR SALES DRAWING		
1 PLACE ± 0.2	BDICK	2010/06/24			
0 PLACES ±	APPR BY	DATE			
DRAFT WHERE APPLICABLE MUST REMAIN WITHIN DIMENSIONS	SMARCEAU	2011/11/21	PRODUCT CUSTOMER DRAWING		
	DRAWING SIZE	THIRD ANGLE PROJECTION	SERIES	MATERIAL NUMBER	CUSTOMER
	D		34792	SEE TABLE	GENERAL MARKET
	G7		DOCUMENT NUMBER	DOC TYPE	DOC PART SHEET NUMBER
			SD-34792-001	PSD	001 1 OF 3



### 4 CKT VERTICAL HEADER



### PCB LAYOUT CONNECTOR MATE SIDE



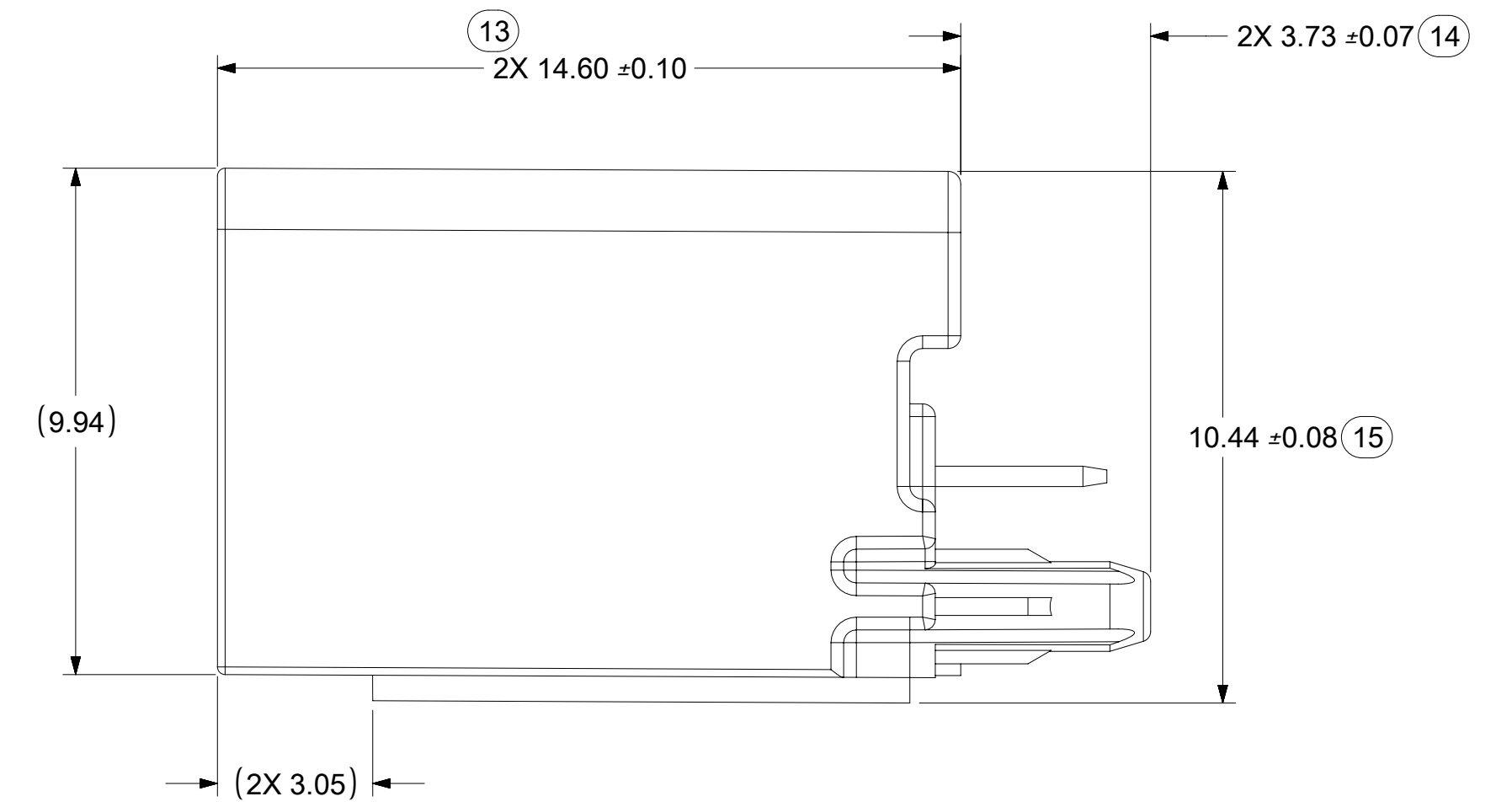
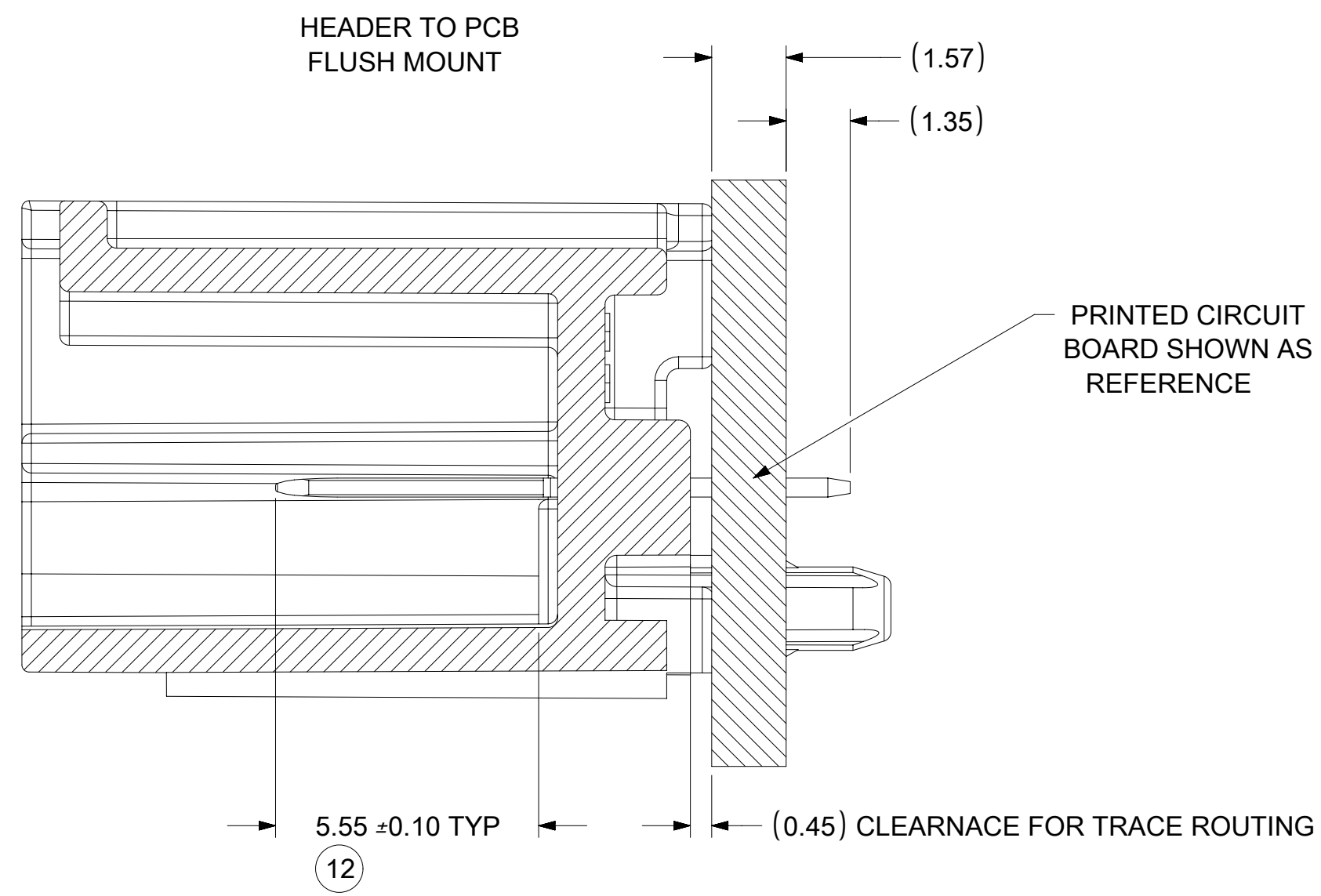
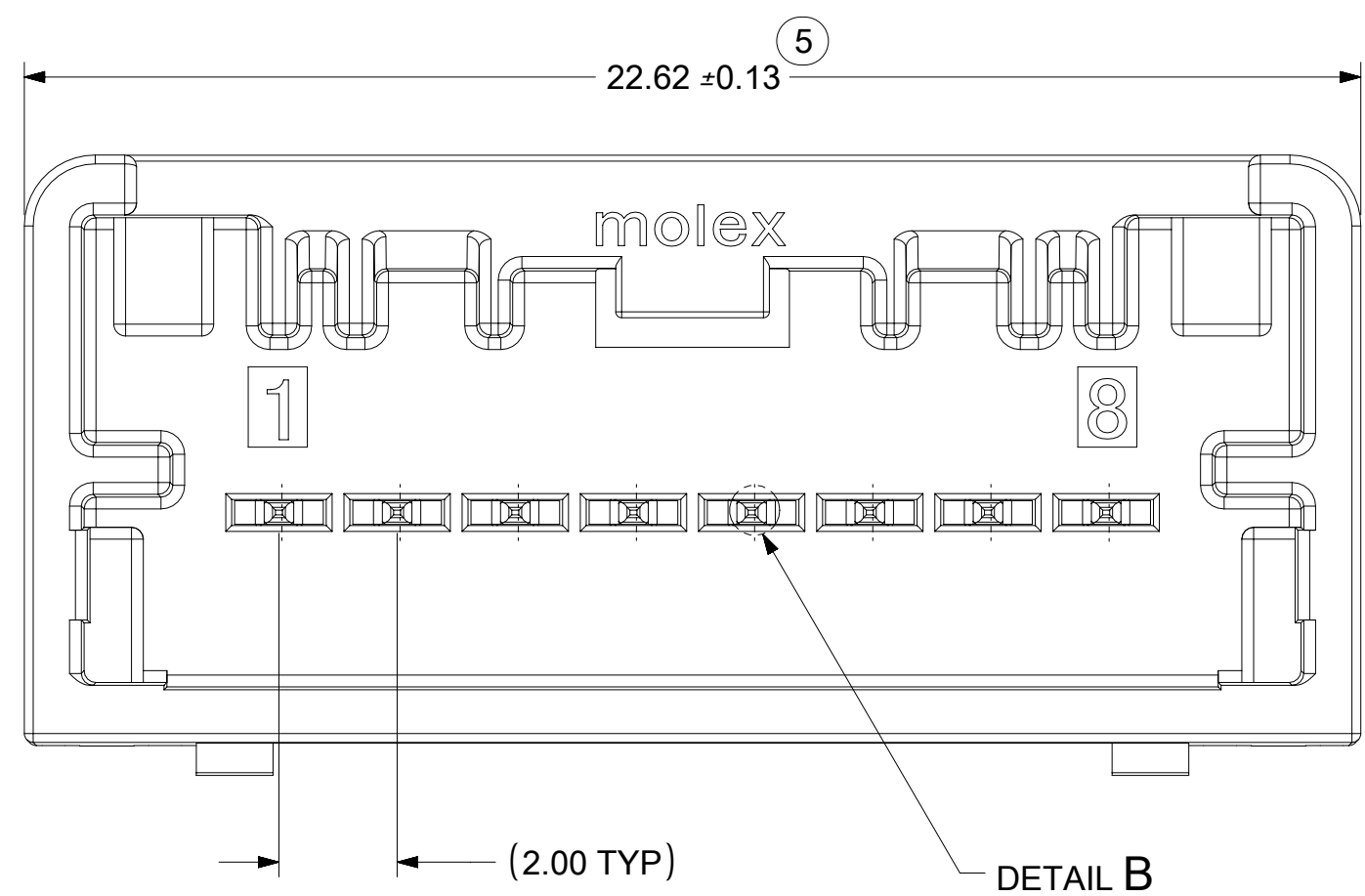
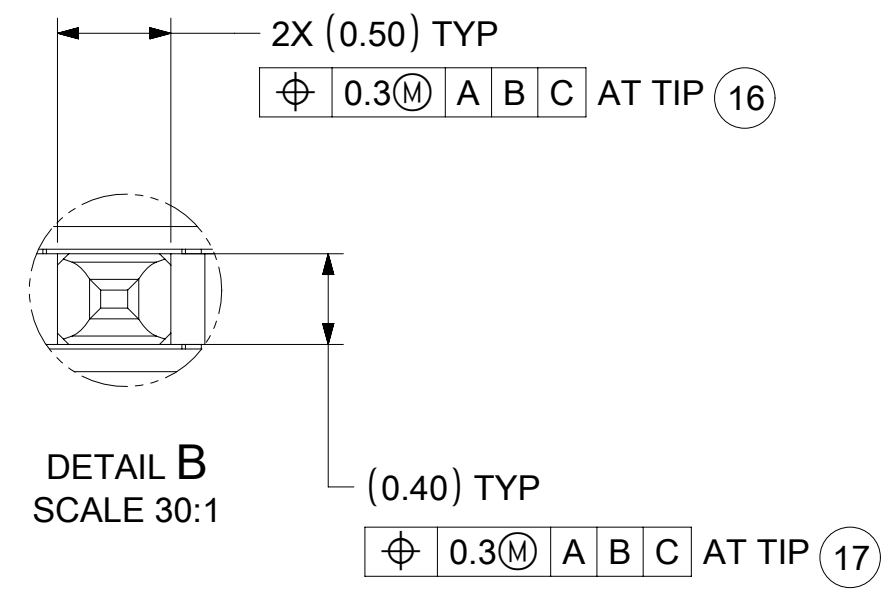
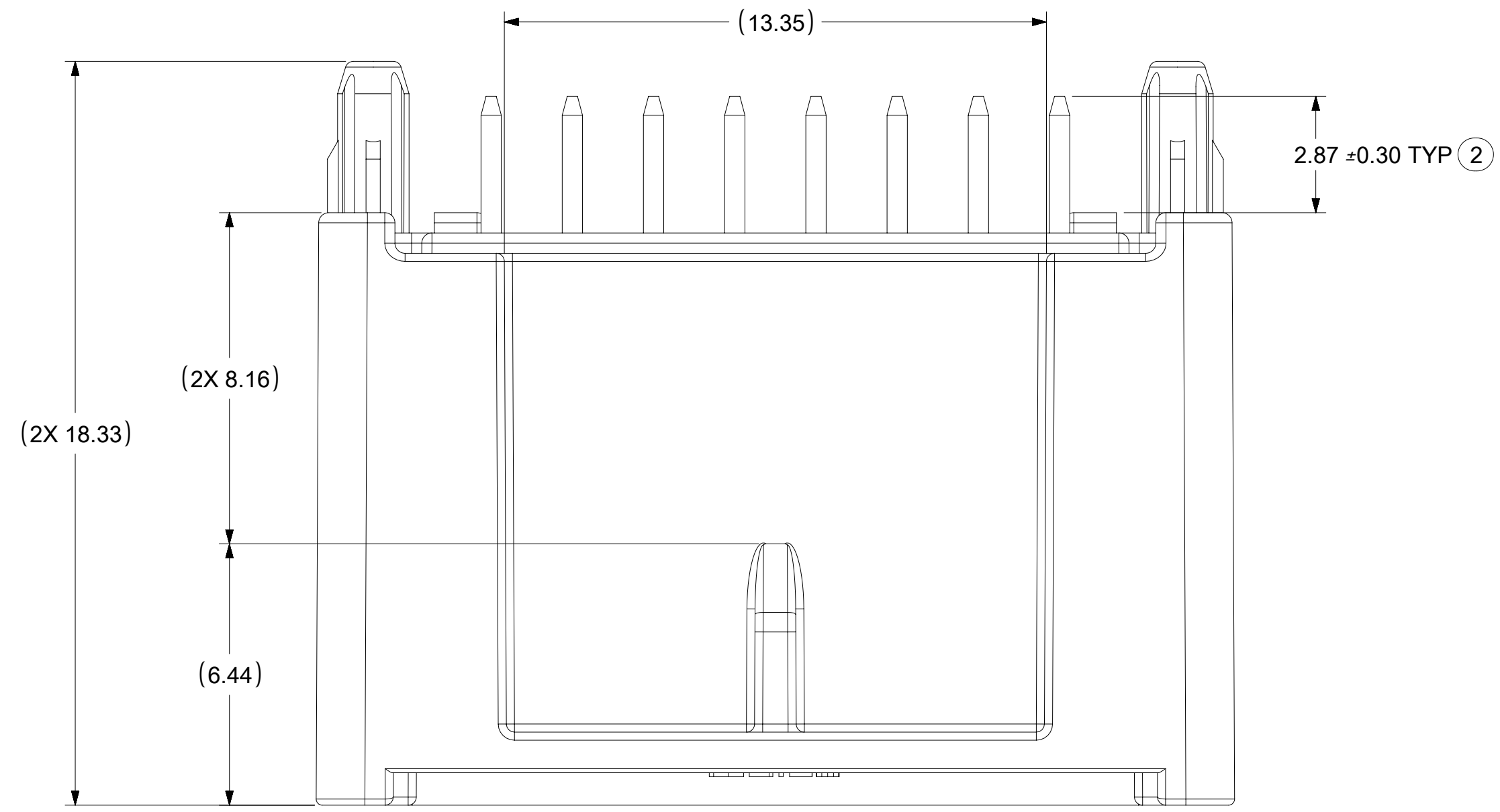
POST HOLE TABLE

	DIM 'E'
PRESS FIT	2.15
DROP IN	2.55

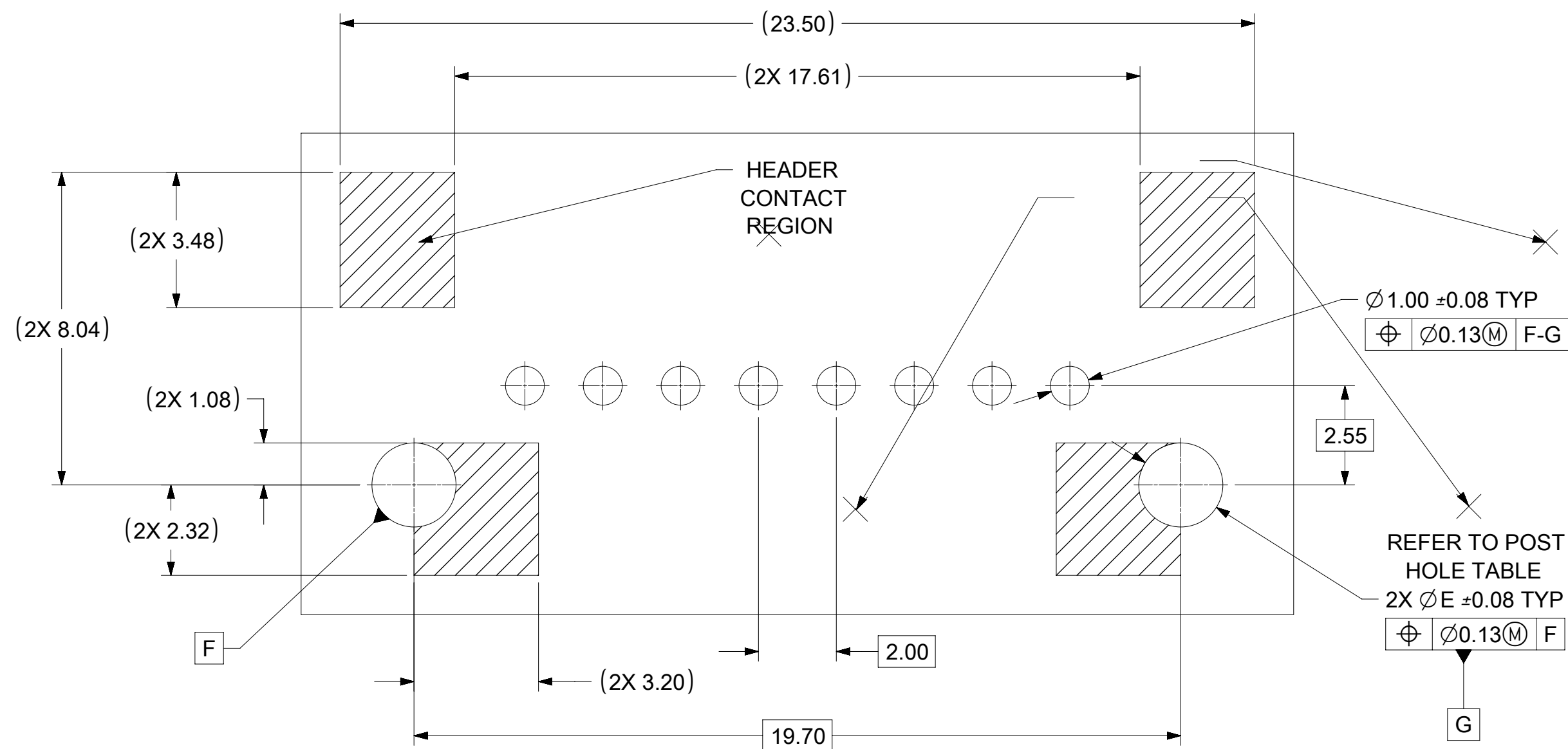
THIS DRAWING CONTAINS INFORMATION THAT IS PROPRIETARY TO MOLEX ELECTRONIC TECHNOLOGIES, LLC AND SHOULD NOT BE USED WITHOUT WRITTEN PERMISSION

EC NO: 645743 DRWN: SRUSS CHKD: JDUNAJ REV APPR: JDUNAJ	2020/09/18	GENERAL TOLERANCES (UNLESS SPECIFIED)	DIMENSION UNITS	SCALE				
	2020/09/21	ANGULAR TOL ± °	MM ONLY	8:1				
	2020/09/21	4 PLACES ±	DRWN BY	DATE		MINI50 4-8CKT VERTICAL HDR SALES DRAWING		
		3 PLACES ±	JDUNAJ	2010/06/24				
		2 PLACES ± 0.1	CHKD BY	DATE		PRODUCT CUSTOMER DRAWING		
	1 PLACE ± 0.2	BDICK	2010/06/24					
	0 PLACES ±	APPR BY	DATE	SERIES	MATERIAL NUMBER	CUSTOMER		
	DRAFT WHERE APPLICABLE MUST REMAIN WITHIN DIMENSIONS	SMARCEAU	2011/11/21	34792	SEE TABLE	GENERAL MARKET		
		DRAWING SIZE	THIRD ANGLE PROJECTION					
		D			DOCUMENT NUMBER	DOC TYPE	DOC PART	SHEET NUMBER
					SD-34792-001	PSD	001	2 OF 3

# 8 CKT VERTICAL HEADER



## PCB LAYOUT CONNECTOR MATE SIDE



### POST HOLE TABLE

	DIM 'E'
PRESS FIT	2.15
DROP IN	2.55

THIS DRAWING CONTAINS INFORMATION THAT IS PROPRIETARY TO MOLEX ELECTRONIC TECHNOLOGIES, LLC AND SHOULD NOT BE USED WITHOUT WRITTEN PERMISSION

EC NO: 645743 DRWN: SRUSS CHKD: JDUNAJ REV APPR: JDUNAJ	2020/09/18 2020/09/21 2020/09/21	GENERAL TOLERANCES (UNLESS SPECIFIED) ANGULAR TOL ± °	DIMENSION UNITS: MM ONLY SCALE: 8:1				
	4 PLACES ± 3 PLACES ± 2 PLACES ± 0.1 1 PLACE ± 0.2 0 PLACES ±	DRWN BY: JDUNAJ DATE: 2010/06/24	CHKD BY: BDICK DATE: 2010/06/24				MINI50 4-8CKT VERTICAL HDR SALES DRAWING
	DRAFT WHERE APPLICABLE MUST REMAIN WITHIN DIMENSIONS		APPR BY: SMARCEAU DATE: 2011/11/21	DRAWING SIZE: D THIRD ANGLE PROJECTION	PRODUCT CUSTOMER DRAWING		
	G7				SERIES: 34792 MATERIAL NUMBER: SEE TABLE CUSTOMER: GENERAL MARKET	DOCUMENT NUMBER: SD-34792-001 DOC TYPE: PSD DOC PART: 001 SHEET NUMBER: 3 OF 3	

单击下面可查看定价，库存，交付和生命周期等信息

[>>MOLEX](#)