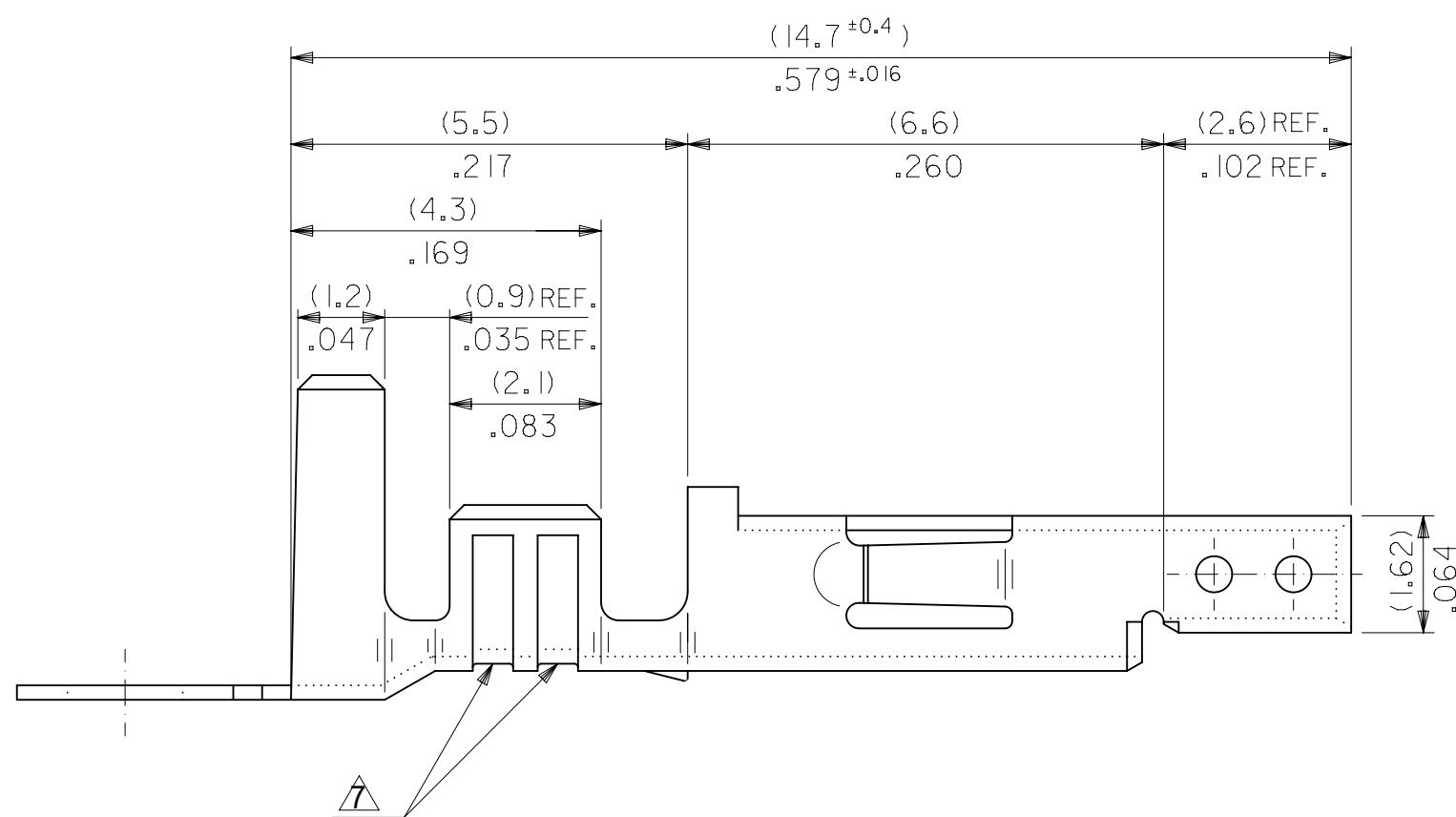
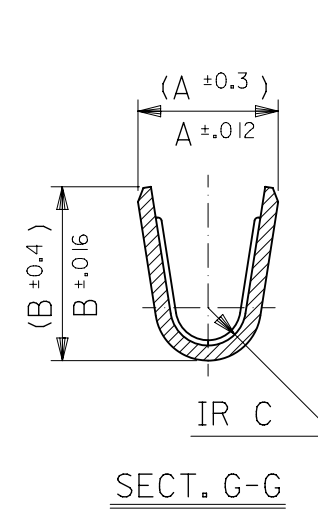


NOTES

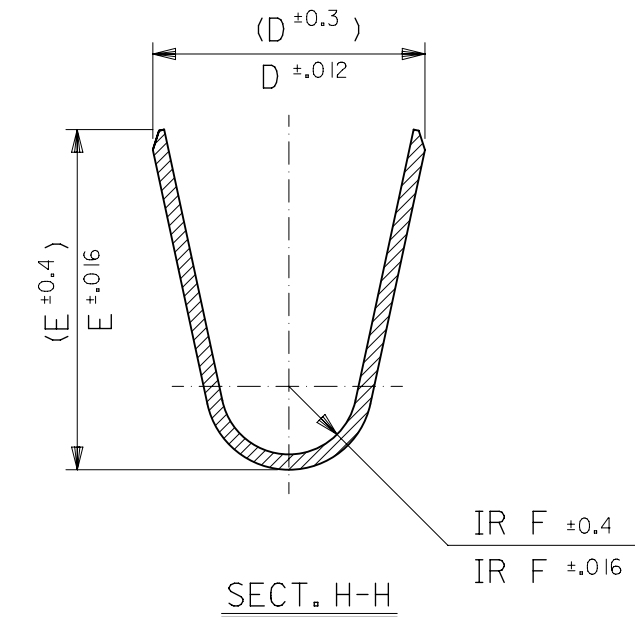
1. MATERIAL: SEE CHART.
2. FINISH: SEE CHART.
3. PRODUCT SPECIFICATION: PS-5556-001, PS-5556-002, PS-5556-003.
4. PACKAGING SPECIFICATION: PK-5556-001 FOR CHAIN TERMINALS
PK-5556-003 FOR LOOSE TERMINALS.
5. MATES WITH: 5558, 5566, 5569, 30069, 30070, 42440, 42404, 43879, 43810, 44068.
6. APPLICABLE HOUSING: 5557, 30067, 44516, OR 42474.
7. THE NUMBER OF SERRATIONS TO BE ONE FOR WIRE RANGE #22-28.
8. WHEN TERMINALS ARE INSTALLED IN THE HOUSING THE WIRES ARE TO BE DRESSED IN SUCH A MANNER TO ALLOW THE TERMINALS TO FLOAT FREELY IN THE POCKET.
9. PART CONFORMS TO CLASS "B" REQUIREMENTS OF COSMETIC SPECIFICATION PS-45499-002.
10. TEXT ON PART IS FOR REFERENCE ONLY. TEXT AND TEXT LOCATION MAY VARY DEPENDING ON PART NUMBER AND/OR TOOL.



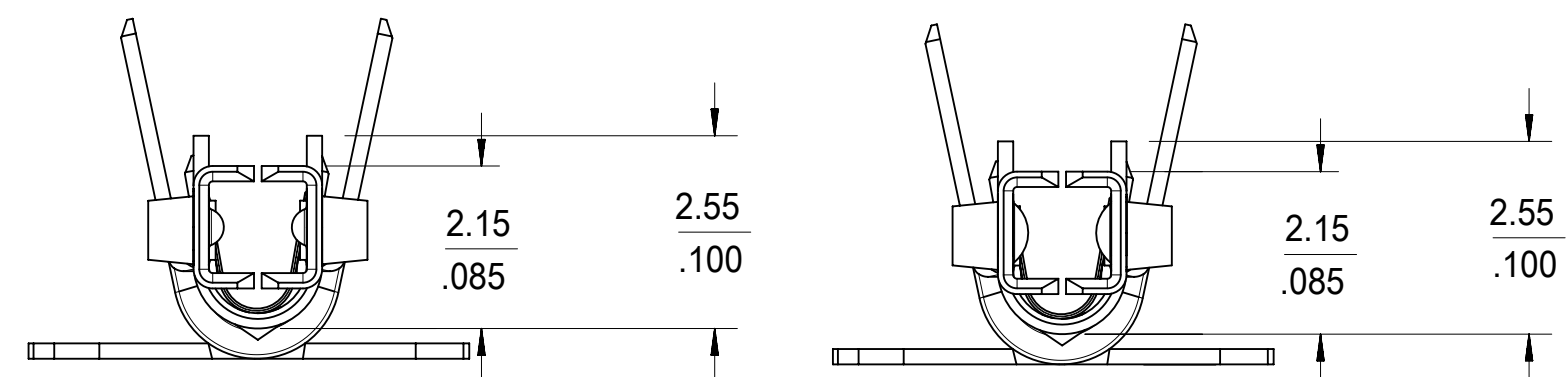
#18-24 TERMINAL SHOWN



SECT. G-G



SECT. H-H

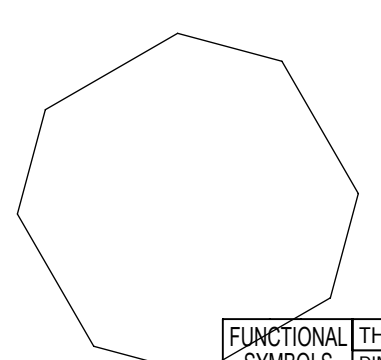


CONTACT DIMPLE CONFIGURATIONS

SYMBOLS	THIS DRAWING CONTAINS INFORMATION THAT IS PROPRIETARY TO MOLEX ELECTRONIC TECHNOLOGIES, LLC AND SHOULD NOT BE USED WITHOUT WRITTEN PERMISSION									
	DIMENSION UNITS		SCALE		CURRENT REV DESC:					
∇ = 0	IN/MM		10:1		molex MINI FIT JR OVERALL TIN FEMALE CRIMP TERMINAL PRODUCT CUSTOMER DRAWING					
∇ = 0	GENERAL TOLERANCES (UNLESS SPECIFIED)									
∇ = 0			MM	INCH	EC NO: 660823 DRWN: HPAN18 2021/04/14 CHK'D: YXZHENG 2021/04/14 APPR: YXZHENG 2021/04/14					
S = 0	4 PLACES ±				INITIAL REVISION: DRWN: HIRAMOTO 1991/05/18 APPR: FSMITH 2011/02/21					
∇ = 0	3 PLACES ±		± 0.008							
∇ = 0	2 PLACES ±		0.2 ± 0.008		DOCUMENT NUMBER: 55560000-SD DOC TYPE: PSD DOC PART: 000 REVISION: A3					
∇ = 0	1 PLACE ±		0.2 ±							
∇ = 0	0 PLACES ±				MATERIAL NUMBER: SEE CHART CUSTOMER: GENERAL MARKET SHEET NUMBER: 1 OF 2					
∇ = 0	ANGULAR TOL ±		3.0 °							
∇ = 0	DRAFT WHERE APPLICABLE MUST REMAIN WITHIN DIMENSIONS				THIRD ANGLE PROJECTION		DRAWING: C-SIZE		SERIES: 5556	

THIS DRAWING REPLACES DRAWING SD-5556****

REFLOWED MATTE TIN 0.00090/(.000035) MIN. (PREPLATE) (FINISH IS BRIGHT IN APPEARANCE, THICKNESS AS APPLIED PRIOR TO REFLOW)	PHOS BRONZE	(0.9) .035	(4.5) .177	(3.6) .142	(0.6) .024	(2.7) .106	(2.3) .091	∅ (3.1) .122 MAX.	16	N/A	39-00-0080	5556 PBT3L	LOOSE	
		(0.6) .024	(2.3) .091	(2.3) .091	(0.4) .016	(1.65) .065	(1.8) .071	∅ (0.9-1.8) .035-.071	22-28	20+22	-0079	PBT3	CHAIN	
		(0.9) .035	(4.5) .177	(3.6) .142	(0.5) .020	(2.3) .091	(1.9) .075	∅ (1.3-3.1) .051-.122	18-24	18+22	-0066	PBT2L	LOOSE	
		(0.6) .024	(2.3) .091	(2.3) .091	(0.4) .016	(1.65) .065	(1.8) .071	∅ (0.9-1.8) .035-.071	22-28	20+20	-0065	PBT2	CHAIN	
		(0.9) .035	(4.5) .177	(3.6) .142	(0.5) .020	(2.3) .091	(1.9) .075	∅ (1.3-3.1) .051-.122	18-24	22+22	-0060	PBTL	LOOSE	
		(0.6) .024	(2.3) .091	(2.3) .091	(0.4) .016	(1.65) .065	(1.8) .071	∅ (0.9-1.8) .035-.071	22-28	N/A	-0059	PBT	CHAIN	
		(0.9) .035	(4.5) .177	(3.6) .142	(0.6) .024	(2.7) .106	(2.3) .091	∅ (3.1) .122 MAX.	16	N/A	-0078	T3L	LOOSE	
		(0.6) .024	(2.3) .091	(2.3) .091	(0.4) .016	(1.65) .065	(1.8) .071	∅ (0.9-1.8) .035-.071	22-28	20+22	-0077	T3	CHAIN	
		(0.9) .035	(4.5) .177	(3.6) .142	(0.5) .020	(2.3) .091	(1.9) .075	∅ (1.3-3.1) .051-.122	18-24	18+22	-0047	T2L	LOOSE	
REFLOWED MATTE TIN 0.00090/(.000035) MIN. OVER COPPER 0.00050/(.000020) MIN. (PREPLATE) (FINISH IS BRIGHT IN APPEARANCE, THICKNESS AS APPLIED PRIOR TO REFLOW)	BRASS	(0.6) .024	(2.3) .091	(2.3) .091	(0.4) .016	(1.65) .065	(1.8) .071	∅ (0.9-1.8) .035-.071	22-28	N/A	-0046	T2	CHAIN	
		(0.9) .035	(4.5) .177	(3.6) .142	(0.5) .020	(2.3) .091	(1.9) .075	∅ (1.3-3.1) .051-.122	18-24	N/A	-0039	TL	LOOSE	
		(0.6) .024	(2.3) .091	(2.3) .091	(0.4) .016	(1.65) .065	(1.8) .071	∅ (0.9-1.8) .035-.071	22-28	22+22	39-00-0038	5556 T	CHAIN	
PLATING	MATERIAL	F	E	D	C	B	A	INS. RANGE	SINGLE WIRE	DOUBLE WIRE	EDP NO.	ENG. NO.	FORM	
									WIRE AWG RANGE					



THIS DRAWING CONTAINS INFORMATION THAT IS PROPRIETARY TO MOLEX ELECTRONIC TECHNOLOGIES, LLC AND SHOULD NOT BE USED WITHOUT WRITTEN PERMISSION													
FUNCTIONAL SYMBOLS		DIMENSION UNITS		SCALE		CURRENT REV DESC:							
FA = 0		mm		1:1		EC NO: 660823							
FC = 0		GENERAL TOLERANCES (UNLESS SPECIFIED)						DRWN: HPAN18 2021/04/14					
FP = 0		ANGULAR TOL ± 3.0°						CHK'D: YXZHENG 2021/04/14					
DIVISIONAL SYMBOLS		4 PLACES ±		APPR: YXZHENG 2021/04/14									
		3 PLACES ±		INITIAL REVISION:									
		2 PLACES ± 0.2		DRWN: AZAHIROVIC 2018/05/30									
		1 PLACE ± 0.2		APPR: FSMITH 2018/06/03									
		0 PLACES ±		DRAFT WHERE APPLICABLE MUST REMAIN WITHIN DIMENSIONS		THIRD ANGLE PROJECTION		DRAWING		SERIES			
				C-SIZE		5556		MATERIAL NUMBER		CUSTOMER			
								55560000-SD		GENERAL MARKET			
								PSD		000 A3			
								DOCUMENT NUMBER		DOC TYPE DOC PART REVISION			
								55560000-SD		2 OF 2			

单击下面可查看定价，库存，交付和生命周期等信息

[>>MOLEX](#)