

NOTES: VALID UNLESS OTHERWISE SPECIFIED

1. GENERAL:
  - a. APPLICATION SPECIFICATION SEE: AS-34791-020
  - b. PRODUCT SPECIFICATION SEE: PS-34791-020
  - c. PACKAGING SPECIFICATION PER MOLEX DRAWING: SEE CHART
  - d. SOLDERABILITY PER SMES-152
  - e. PARTS MUST BE IN COMPLIANCE TO MOLEX CHEMICAL SUBSTANCES FOR PRODUCTS AND PACKAGING SPECIFICATION: QEHS-699000-300
  - f. DATA MUST BE SUBMITTED UNDER THE MOLEX PART NUMBER TO IMDS (COMPANY ID#13255)
  - g. FLAMMABILITY REQUIREMENT: PER ISO3795 OR GM3191
  - h. VISUAL DEFECTS SHALL MEET COSMETIC STANDARD PS-45499-002 (Class B)
2. DESIGN - MATERIALS:
  - a. SHROUD (PLASTIC HOUSING): SPS 30% GF, 20% REGRIND MAX PER WEIGHT
  - b. BLADES:
    - BASE METAL: C260 BRASS
    - PLATING REQUIREMENTS:
      - TIN OVER NICKEL:
      - UNDERPLATING:
        - OVERALL NICKEL
        - OVERPLATING:
          - OVERALL TIN
3. DESIGN - GEOMETRY:
  - a. THIS IS A 100% CAD GENERATED PART. THE CAD MATHEMATICAL DATA IS THE MASTER FOR THIS PART. FOR DIMENSIONAL OR ANY INFORMATION NOT SHOWN ON THIS DRAWING, ANALYZE THE CAD MODEL.
  - b. GEOMETRIC DIMENSIONS AND TOLERANCES PER ASME Y14.5M - 2009
  - c. GENERAL TOLERANCES: SEE TITLE BLOCK
  - d. EDGES AND UNDIMENSIONED DETAILS PER ISO13715
  - e. CORNERS SHOWN AS SHARP TO BE R 0.1 MAX
  - f. LETTERING SHALL BE 0.10 MAX RAISED. THIS INCLUDES RECYCLING CODE, PLANT AND CAVITY ID, VENDOR ID, AND CIRCUIT ID.
  - g. USCAR INTERFACE:
    - 12 WAY: 050-U-012-2-ZXX
    - 16 WAY: 050-U-016-2-ZXX
    - 20 WAY: 050-U-020-2-ZXX
    - 24 WAY: 050-U-024-2-ZXX

H5	SHEET 4: CORRECTED 12CKT V0 BOM PNs
H4	REMOVED ONE OF TWO BOM PAGES SHEET 4: BOM STATUS REMOVED - ALL PARTS ARE AVAILABLE ADDED MATING COMPONENT SD INFO
H3	VIEWS UPDATED, NO DIM OR GEOMETRY CHANGES
H2	SHEET 1: ADDED V0 VIEW SHEET 2: ADDED BALLOONS 11A, 12A, 13A, 14A, 15A SHEET 4: REMOVED. MATING COMPONENT PBT PNs 16-24CKT ARE OBSOLETE SHEET 5: ADDED V0 PNs TO BOM TABLE
H1	SHEET 1: ADDED NOTE 3g
H	DRAWING REMASTERED UPDATED VIEWS TO MATCH PRODUCTION CHANGE. NO DIMENSIONAL OR GEOMETRY CHANGES. PAGE 4&5: ADDED P/N 348258207 TO TABLES
REV	DESCRIPTION

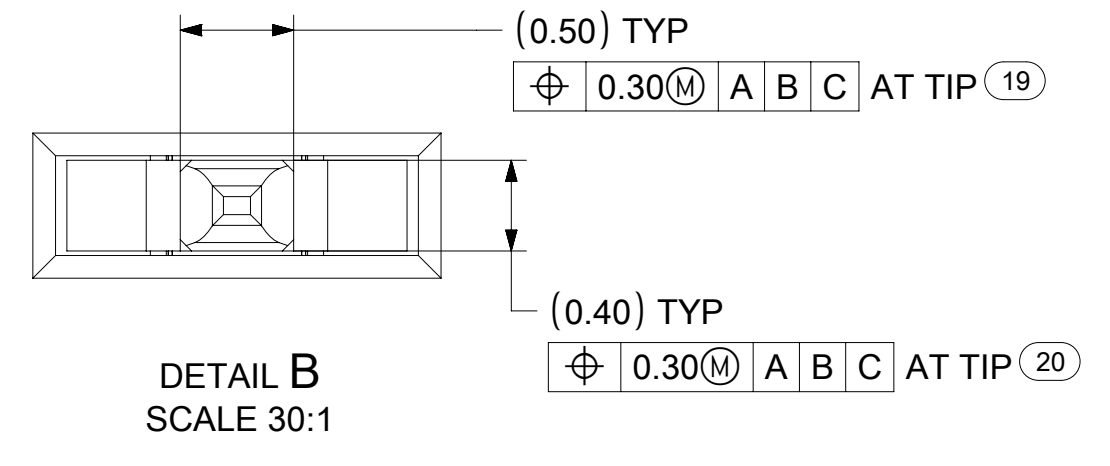
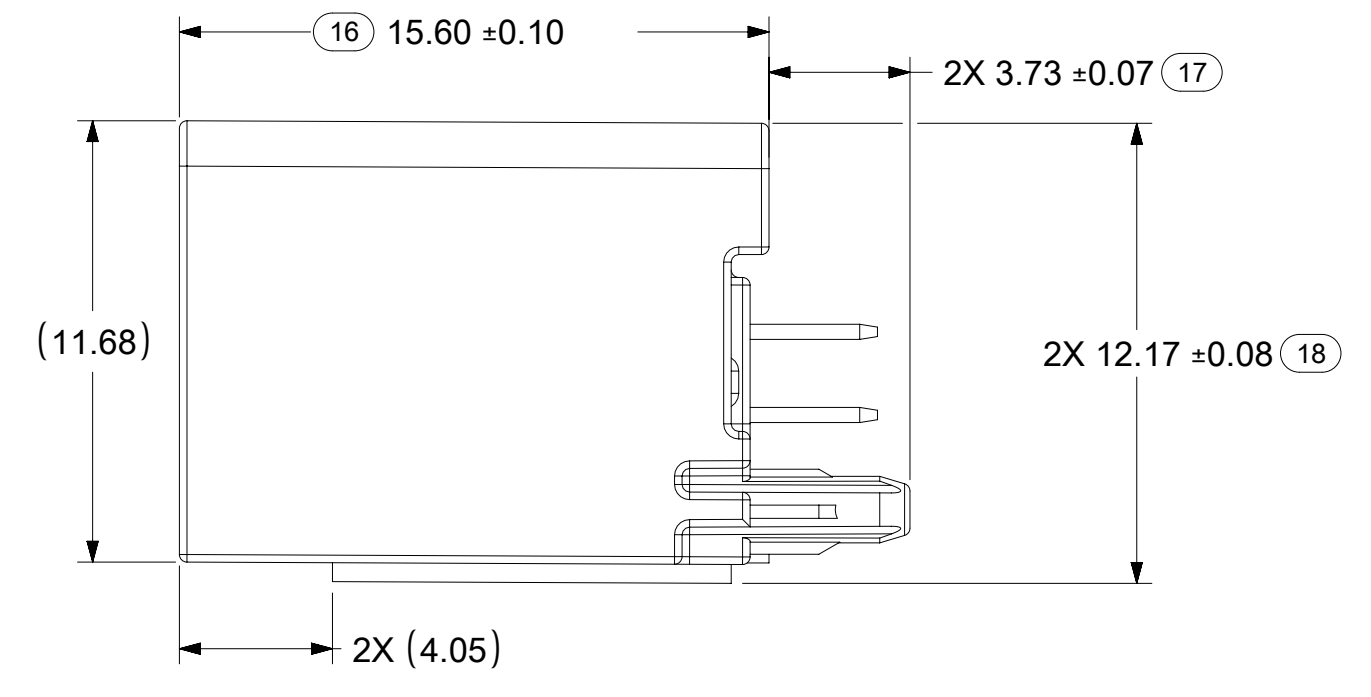
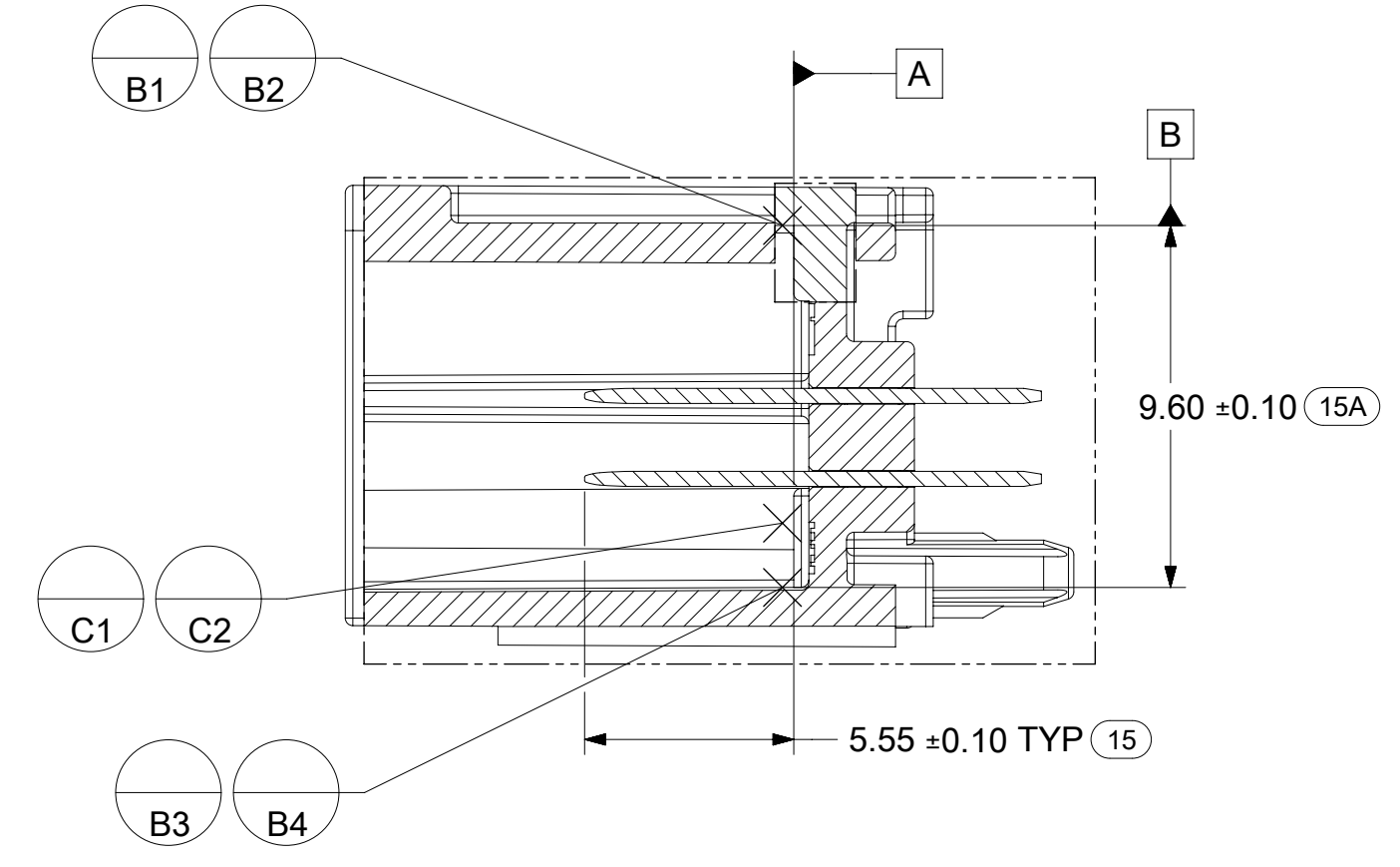
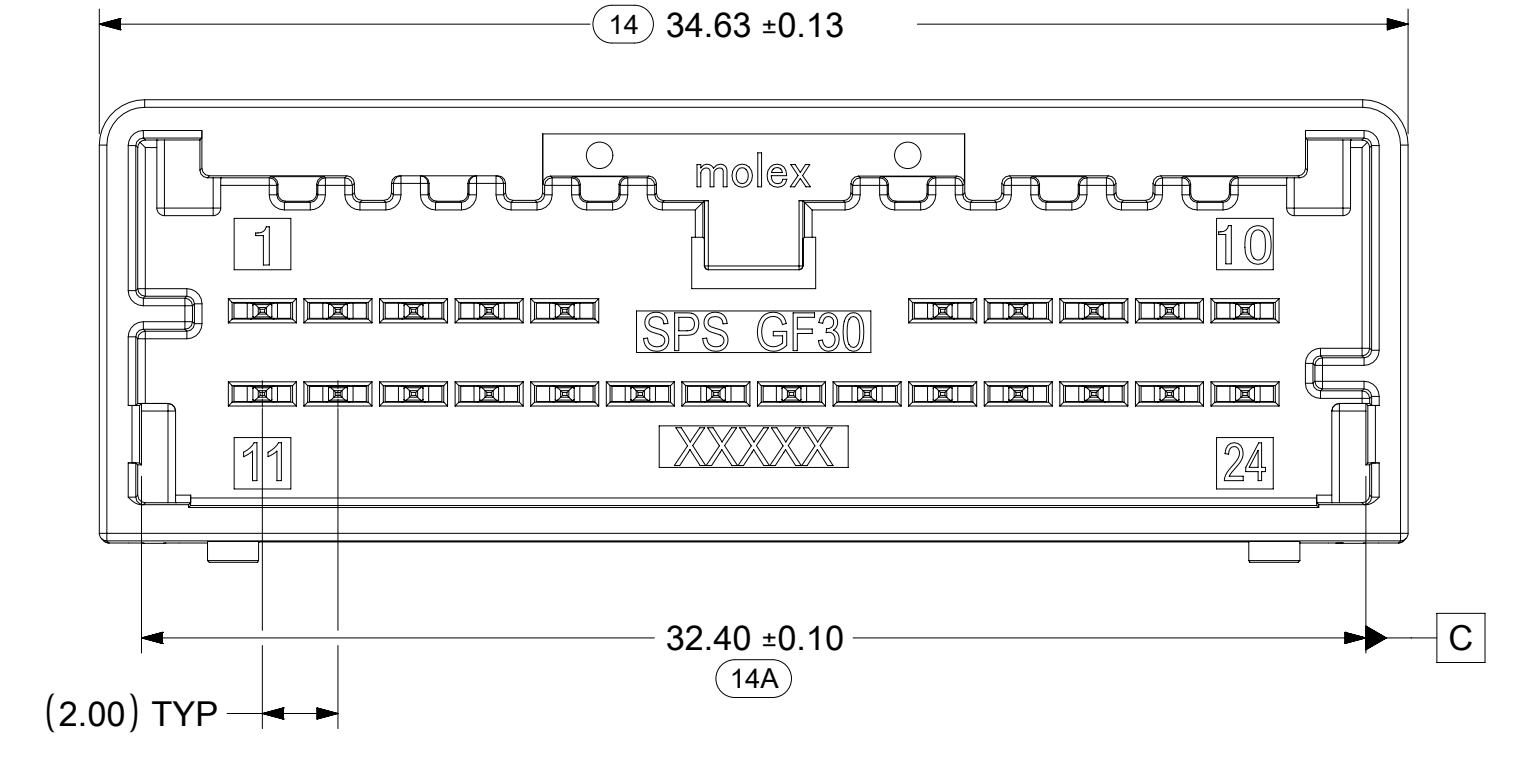
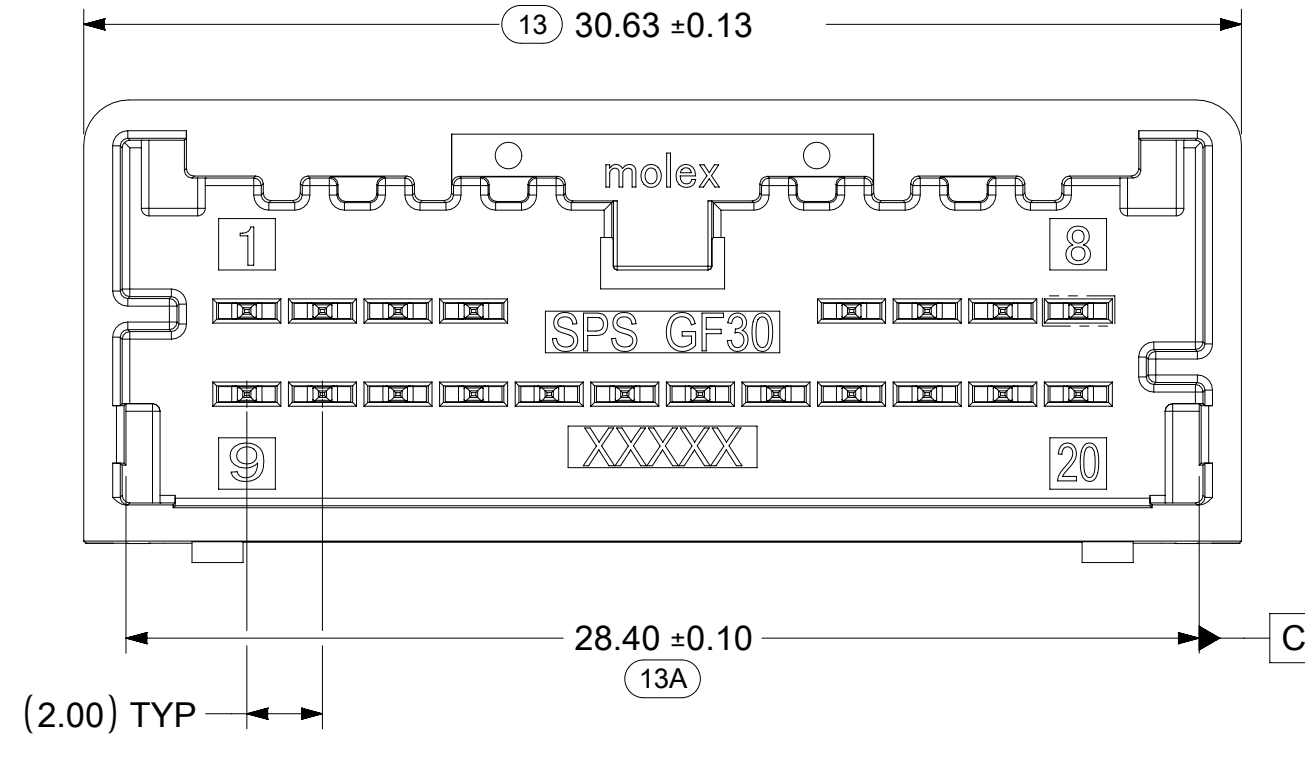
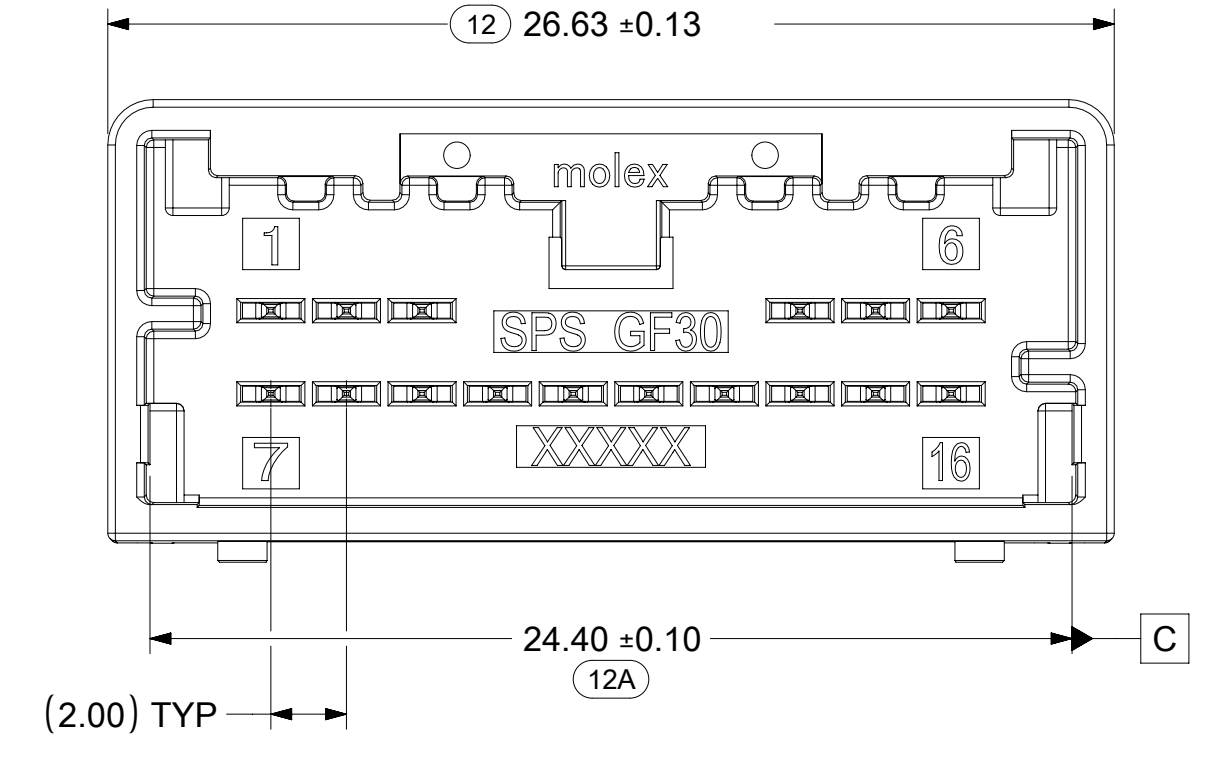
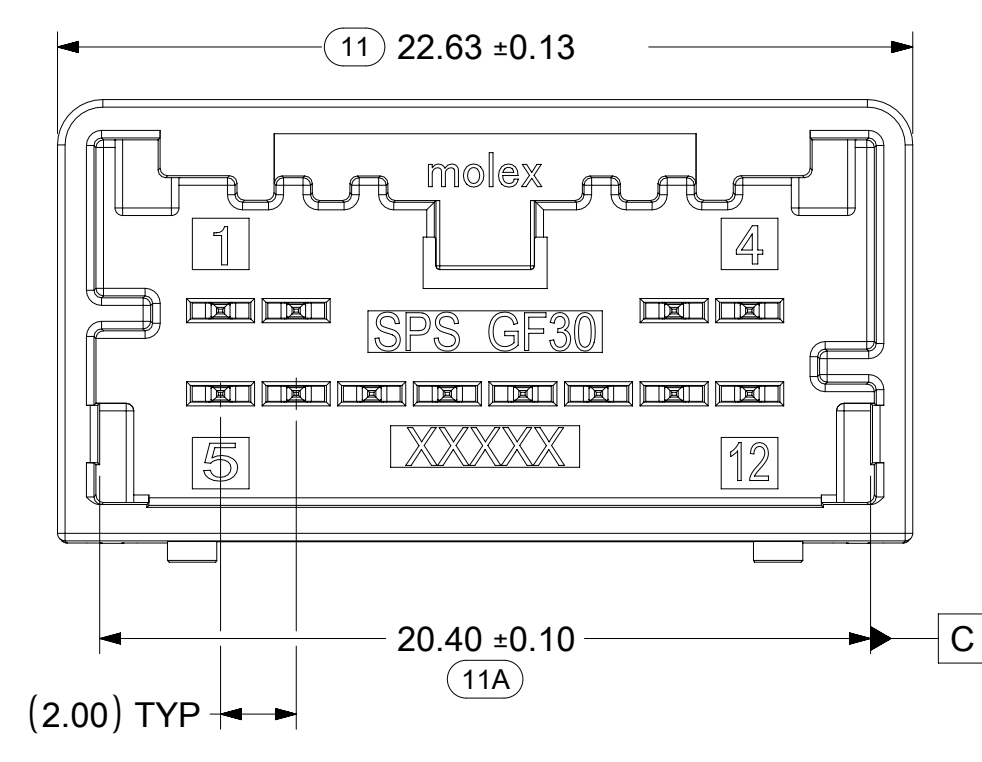
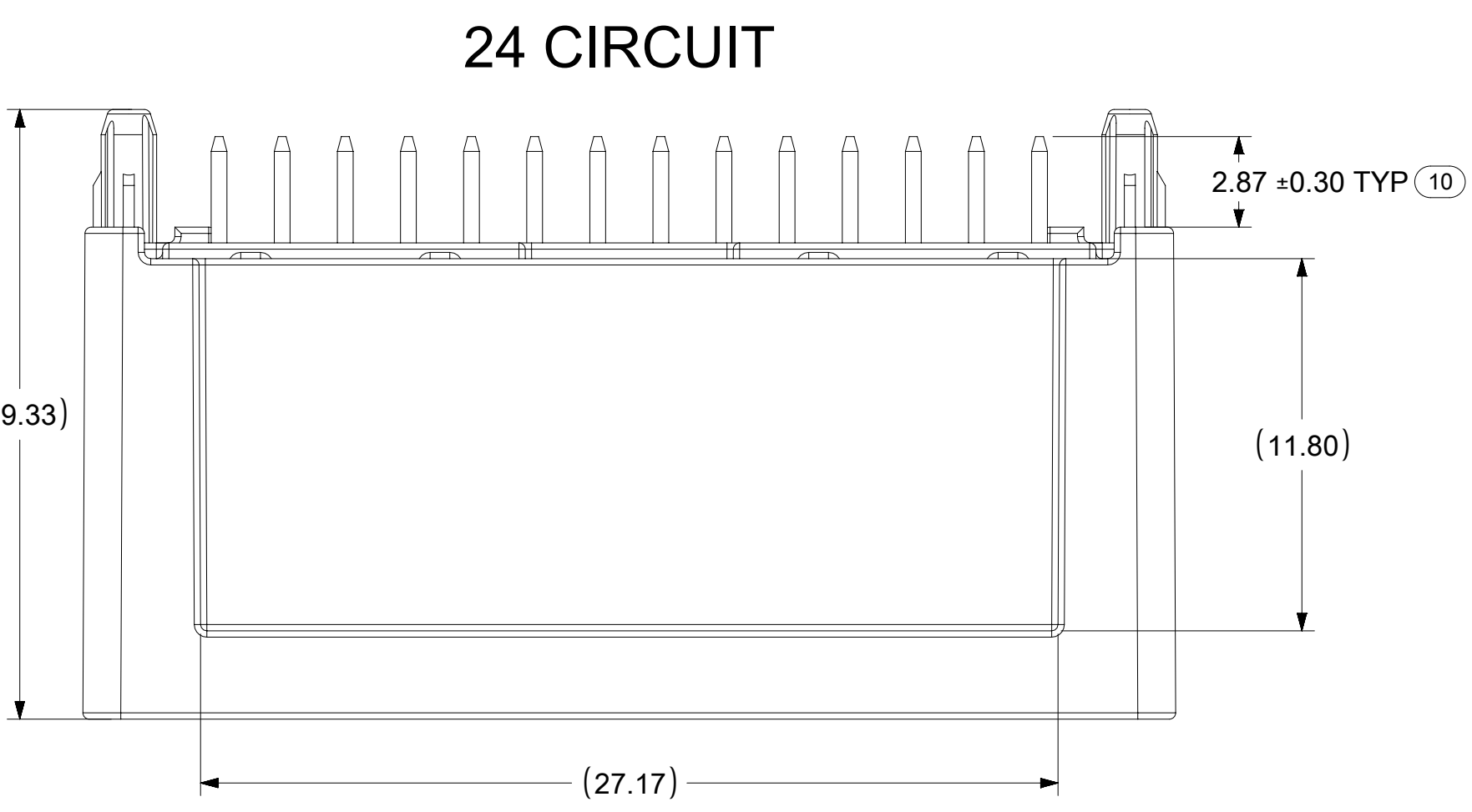
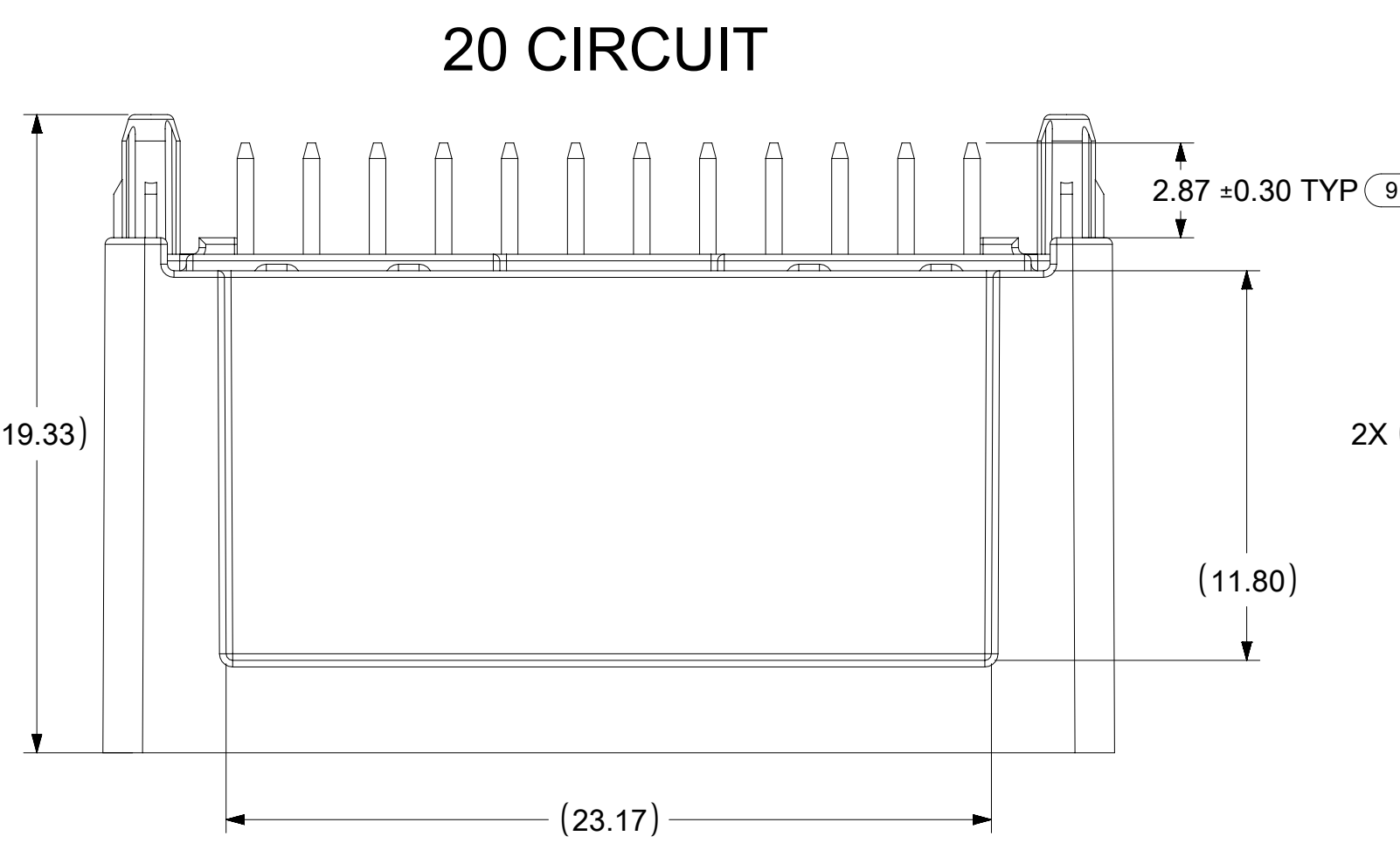
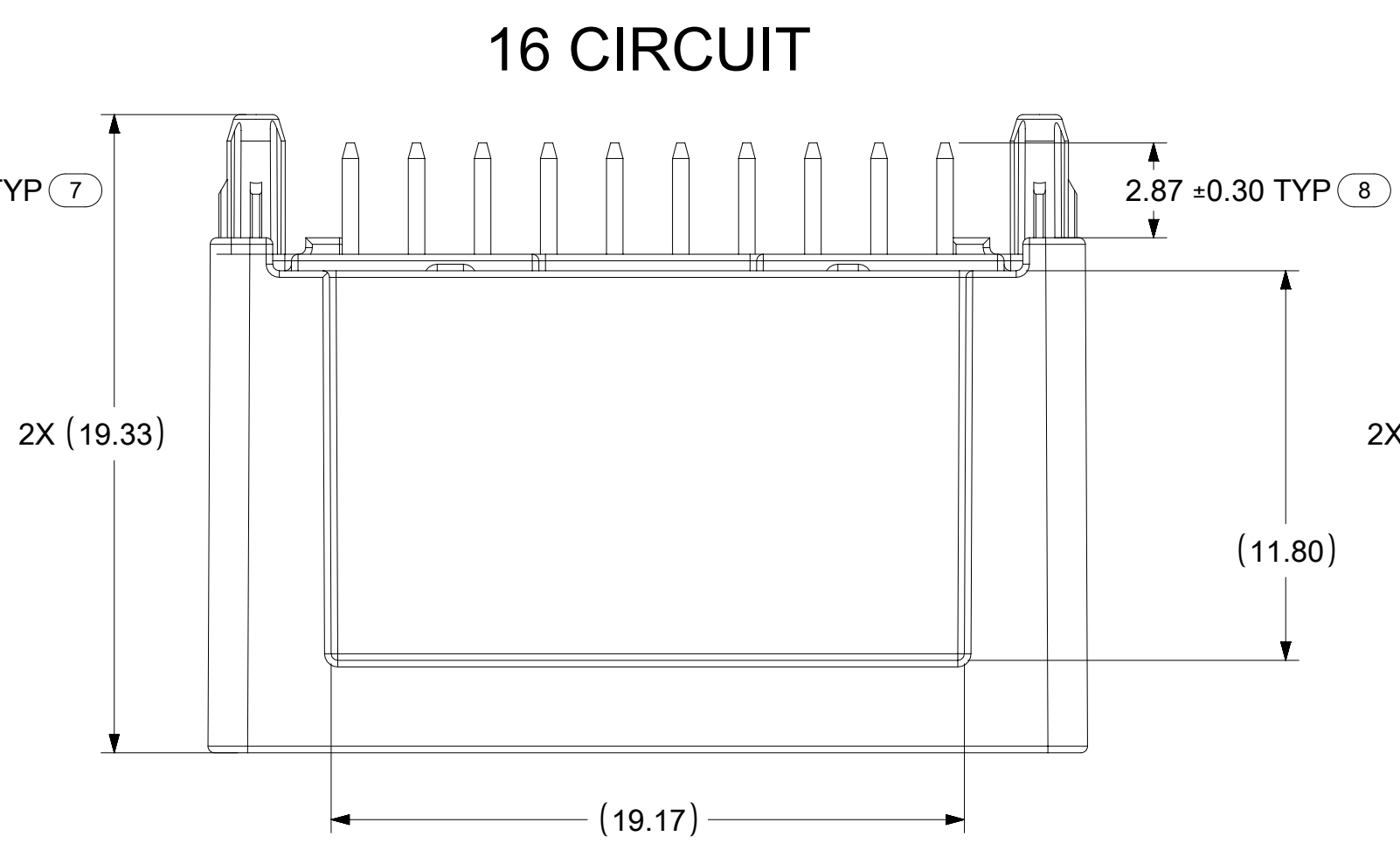
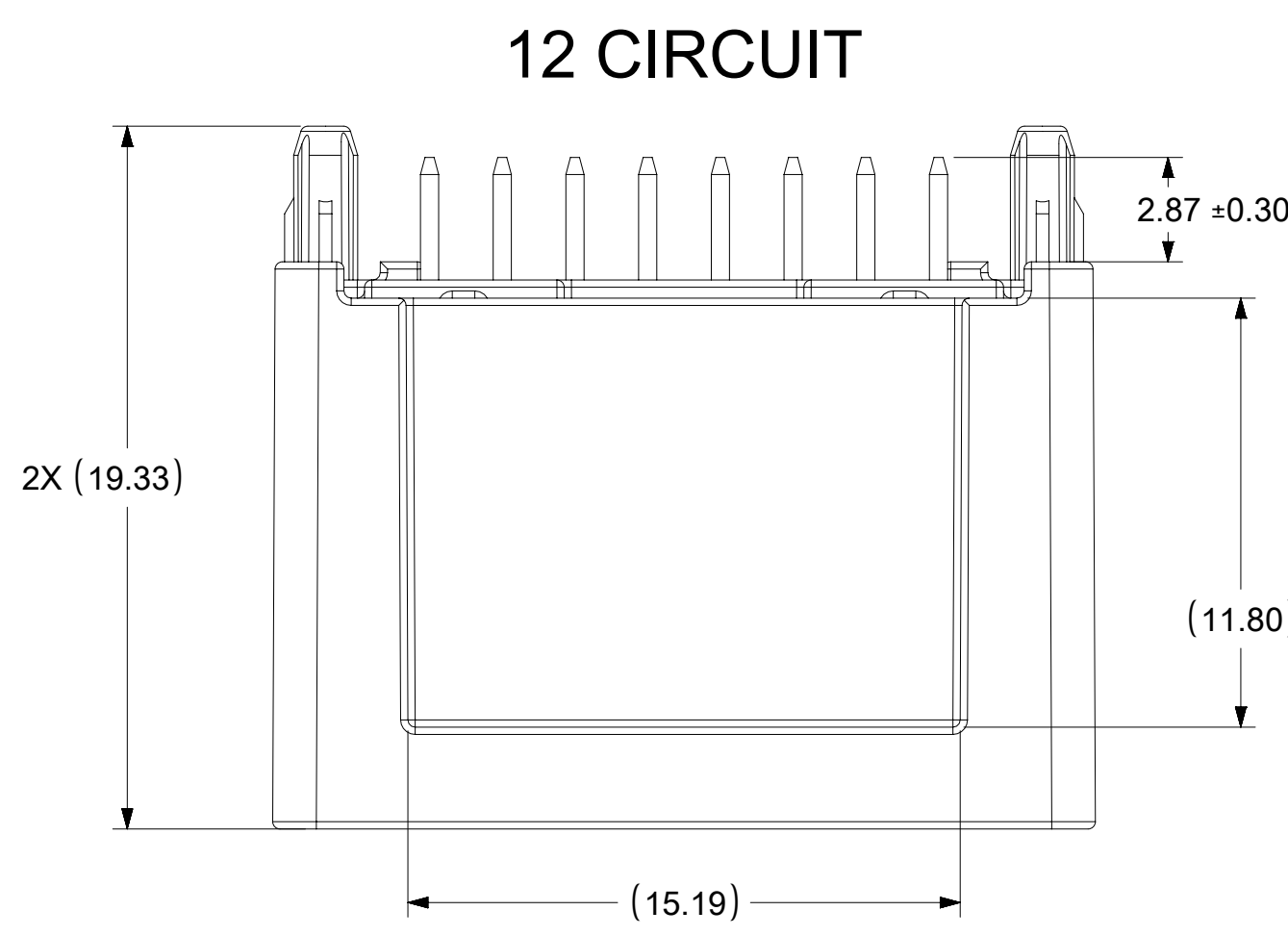
INSPECTION BALLON NUMBER LOG  
PER DRAWING REVISION: H5

LAST BALLOON USED: 20

ADDED BALLOON NUMBERS: 11A, 12A, 13A, 14A, 15A

REMOVED BALLOON NUMBERS: 1, 2, 3, 4, 5, 6

THIS DRAWING CONTAINS INFORMATION THAT IS PROPRIETARY TO MOLEX ELECTRONIC TECHNOLOGIES, LLC AND SHOULD NOT BE USED WITHOUT WRITTEN PERMISSION		CURRENT REV DESC:			
DIMENSION UNITS	SCALE	GENERAL TOLERANCES (UNLESS SPECIFIED)			
mm	5:1	ANGULAR TOL	± 3.0°	EC NO: 663283	
4 PLACES ±		3 PLACES ±		DRWN: SRUSS 2021/05/07	
2 PLACES ± 0.1		1 PLACE ± 0.2		CHK'D: KHEWITT 2021/05/07	
0 PLACES ±		DRAFT WHERE APPLICABLE MUST REMAIN WITHIN DIMENSIONS		APPR: JDUNAJ 2021/05/18	
THIRD ANGLE PROJECTION		DRAWING		INITIAL REVISION:	
D-SIZE		SERIES		DRWN: TMACHUGA 2012/05/03	
34825		MATERIAL NUMBER		APPR: SMARCEAU 2012/05/03	
GENERAL MARKET		CUSTOMER		DOCUMENT NUMBER	
1 OF 4		SHEET NUMBER		SD-34825-001	



(18)

THIS DRAWING CONTAINS INFORMATION THAT IS PROPRIETARY TO MOLEX ELECTRONIC TECHNOLOGIES, LLC AND SHOULD NOT BE USED WITHOUT WRITTEN PERMISSION													
DIMENSION UNITS <b>mm</b>		SCALE <b>5:1</b>		CURRENT REV DESC:									
GENERAL TOLERANCES (UNLESS SPECIFIED)				<b>molex</b> MINI50 12-24CKT VERT HDR SALES DRAWING PRODUCT CUSTOMER DRAWING									
ANGULAR TOL		± 3.0°								EC NO: 663283		2021/05/07	
4 PLACES		±								DRWN: SRUSS		2021/05/07	
3 PLACES		±								CHK'D: KHEWITT		2021/05/18	
2 PLACES		± 0.1								APPR: JDUNAJ		2021/05/18	
1 PLACE		± 0.2		INITIAL REVISION:									
0 PLACES		±		DRWN: TMACHUGA		2012/05/03							
				APPR: SMARCEAU		2012/05/03							
DRAFT WHERE APPLICABLE MUST REMAIN WITHIN DIMENSIONS		THIRD ANGLE PROJECTION		DRAWING		SERIES		MATERIAL NUMBER					
		D-SIZE		34825		GENERAL MARKET		SHEET NUMBER					
								2 OF 4					

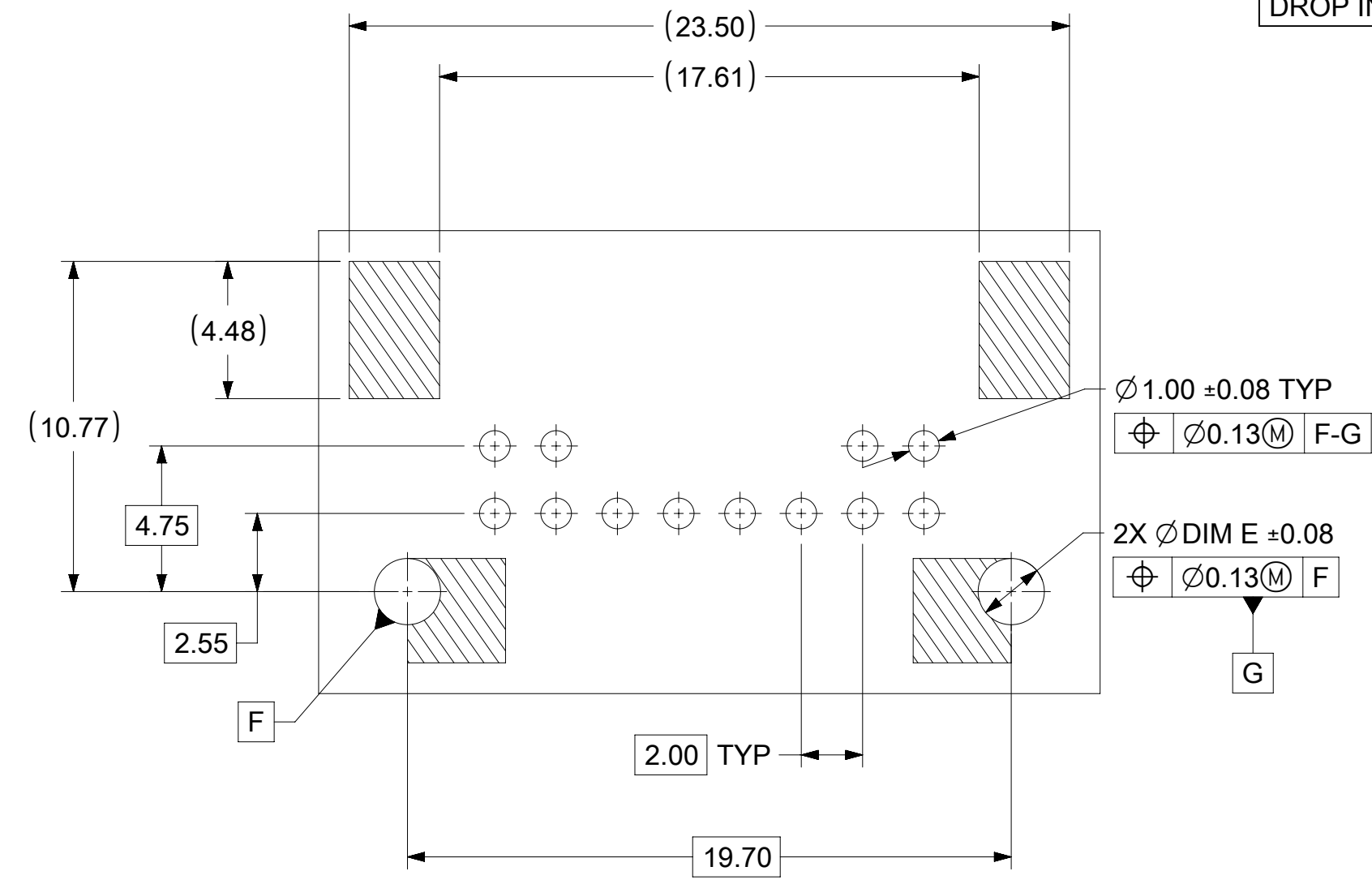
# PCB LAYOUT

BOARD SHOWN FOR REFERENCE ONLY

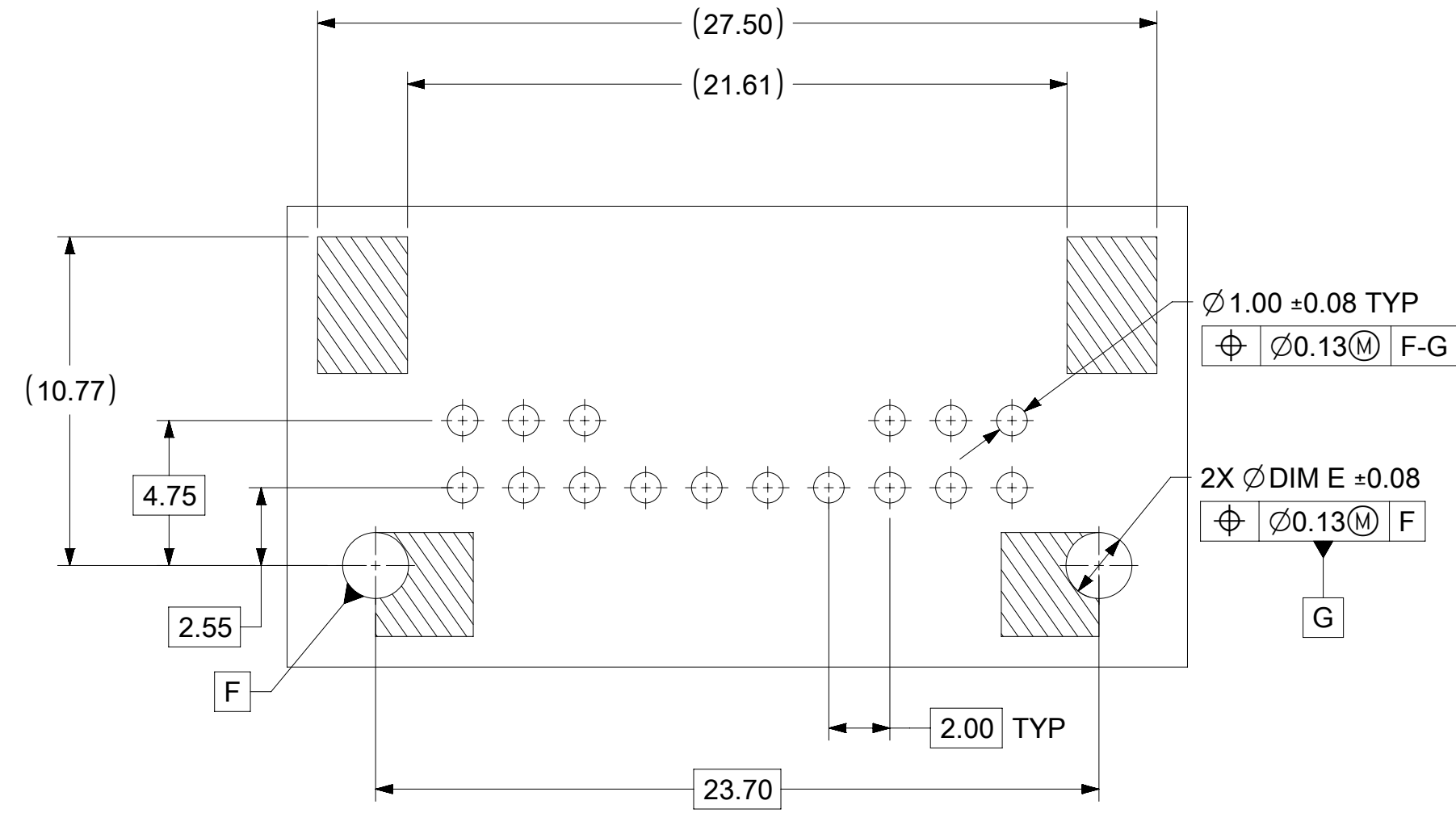
## POST HOLE TABLE

	DIM E
PRESS FIT	2.15
DROP IN	2.55

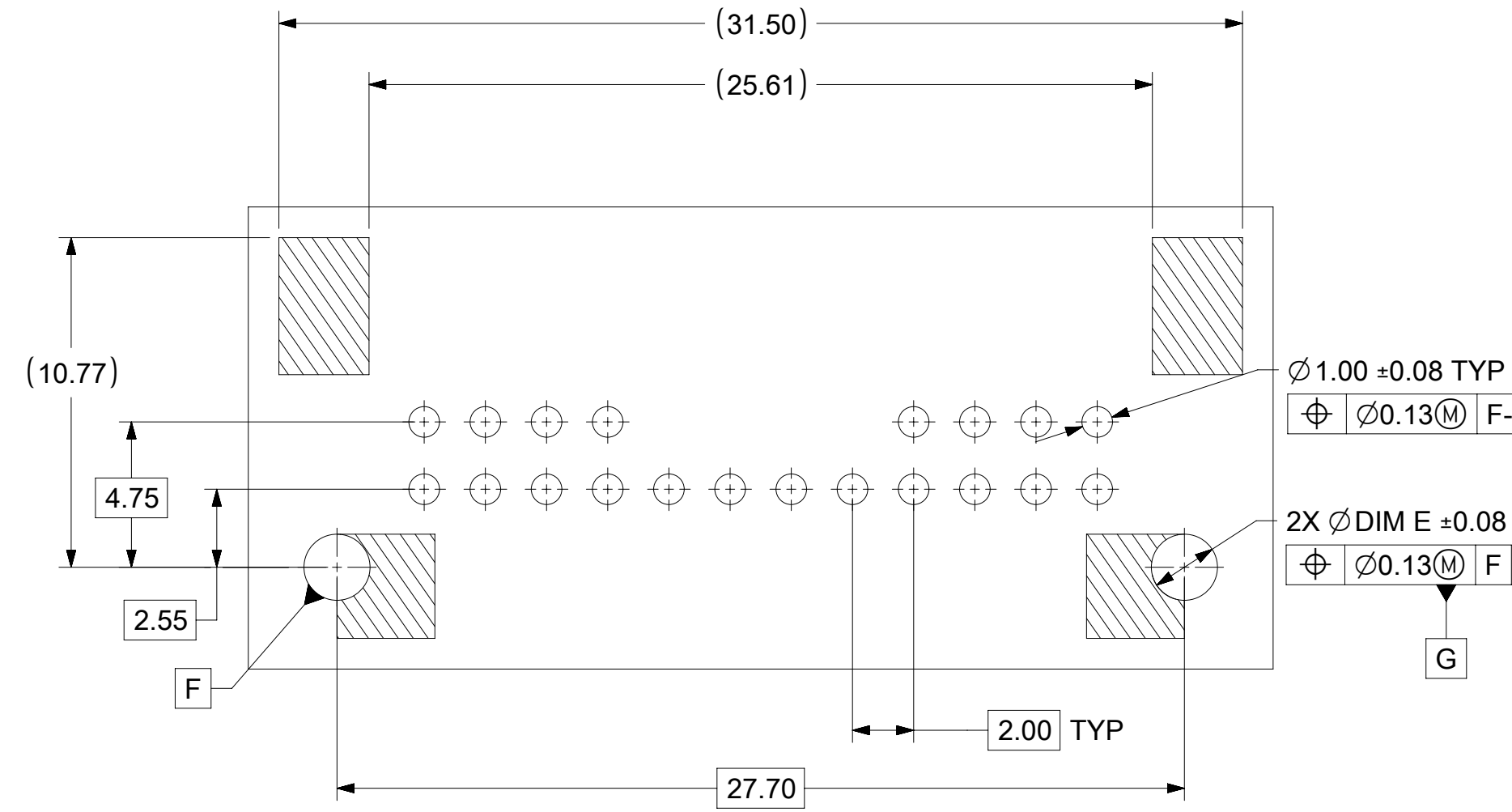
### 12 CIRCUIT



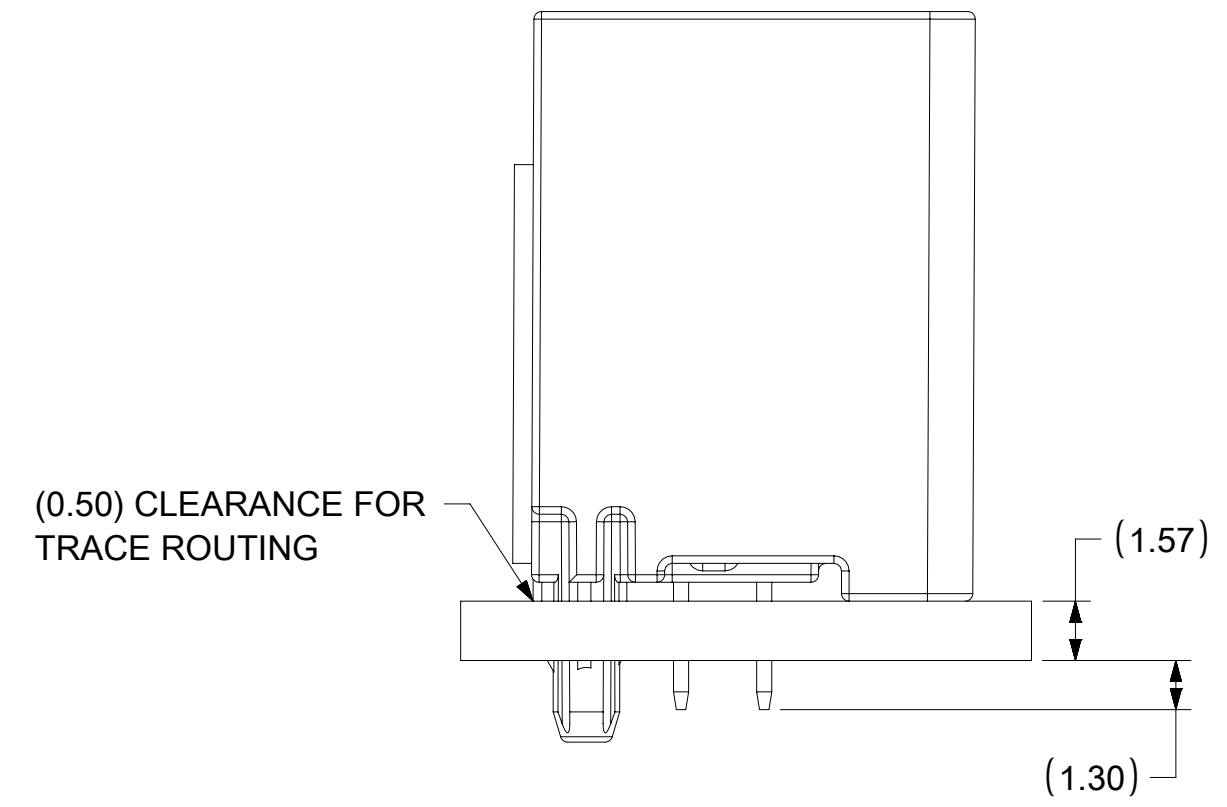
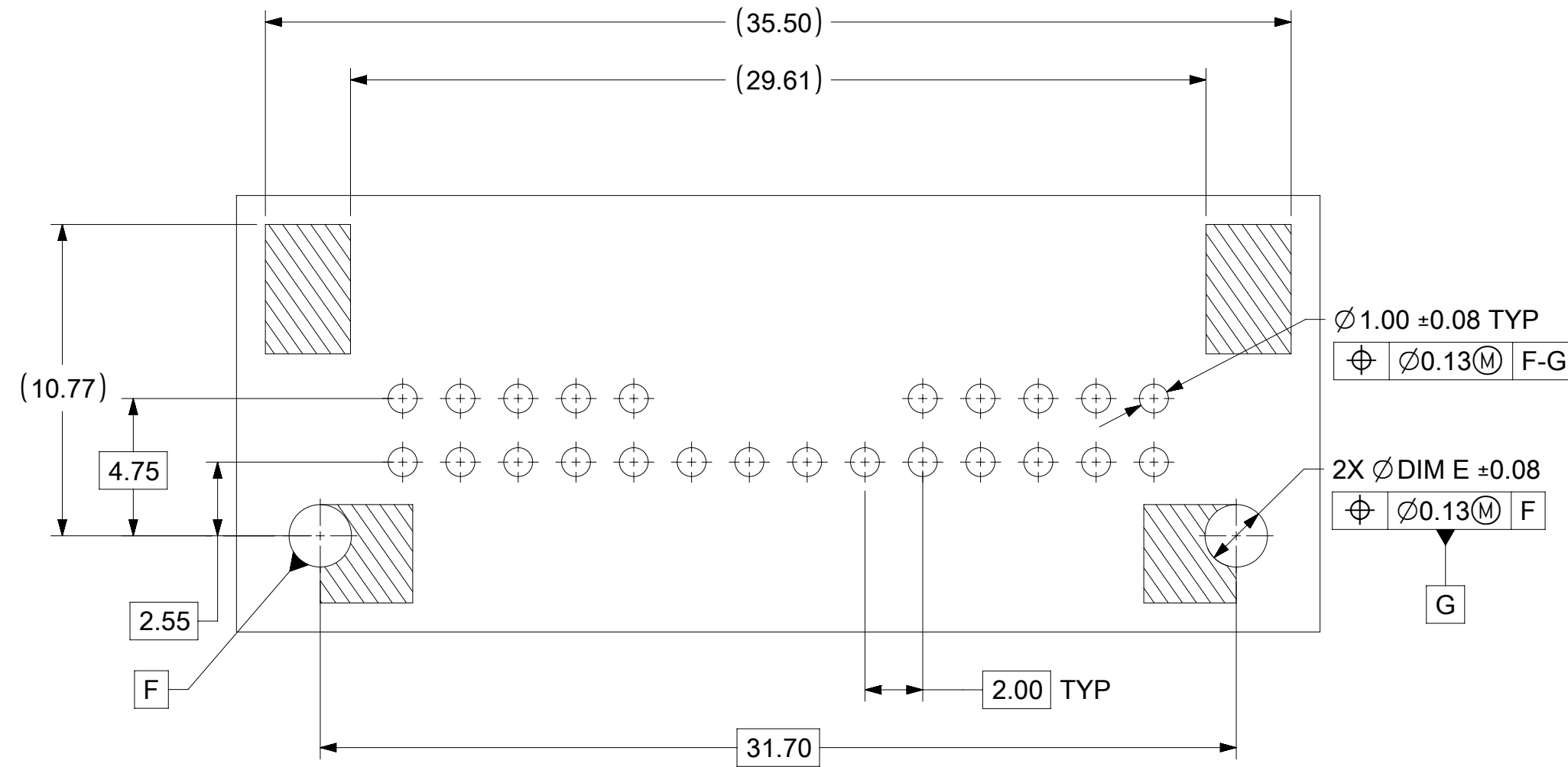
### 16 CIRCUIT



### 20 CIRCUIT



### 24 CIRCUIT



THIS DRAWING CONTAINS INFORMATION THAT IS PROPRIETARY TO MOLEX ELECTRONIC TECHNOLOGIES, LLC AND SHOULD NOT BE USED WITHOUT WRITTEN PERMISSION

DIMENSION UNITS	SCALE	CURRENT REV DESC:		<b>molex</b>		
mm	5:1					
GENERAL TOLERANCES (UNLESS SPECIFIED)		EC NO: 663283		PRODUCT CUSTOMER DRAWING		
ANGULAR TOL	± 3.0°	DRWN: SRUSS	2021/05/07	DOCUMENT NUMBER	DOC TYPE	DOC PART
4 PLACES	±	CHK'D: KHEWITT	2021/05/07	SD-34825-001	PSD	001
3 PLACES	±	APPR: JDUNAJ	2021/05/18	REVISION		
2 PLACES	± 0.1	INITIAL REVISION:		H5		
1 PLACE	± 0.2	DRWN: TMACHUGA	2012/05/03	MATERIAL NUMBER		
0 PLACES	±	APPR: SMARCEAU	2012/05/03	CUSTOMER		
DRAFT WHERE APPLICABLE MUST REMAIN WITHIN DIMENSIONS		THIRD ANGLE PROJECTION	DRAWING	SERIES	SHEET NUMBER	
			D-SIZE	34825	3 OF 4	
				GENERAL MARKET		

# MINI50 VERTICAL HEADER ASSEMBLIES

CIRCUIT	POL	COLOR	MATERIAL NUMBER TAPE AND REEL PACKAGING PK-47799-0001	MATERIAL NUMBER TUBE PACKAGING PK-31301-688	MATERIAL NUMBER TRAY PACKAGING PK-31301-440	BLADE PLATING	FLAMMABILITY	VOIDED CIRCUITS
12	A	BLACK	34825-8124	34825-9124	34825-0124	TIN	HB	N/A
	B	GRAY	34825-8125	34825-9125	34825-0125	TIN		
	C	DARK GRAY	34825-8126	34825-9126	34825-0126	TIN		
16	A	BLACK	34825-8160	34825-9160	34825-0160	TIN	HB	N/A
	B	GRAY	34825-8161	34825-9161	34825-0161	TIN		
	C	DARK GRAY	34825-8162	34825-9162	34825-0162	TIN		
20	A	BLACK	34825-8200	34825-9200	34825-0200	TIN	HB	N/A
	A	BLACK	34825-8207	N/A	N/A	TIN		1, 2, 4, 5, 7, 8, 10-12, 14, 15, 17-19
	B	GRAY	34825-8201	34825-9201	34825-0201	TIN		N/A
	C	DARK GRAY	34825-8202	34825-9202	34825-0202	TIN		N/A
24	A	BLACK	34825-8240	34825-9240	34825-0240	TIN	HB	N/A
	A	BLACK	N/A	N/A	34825-0244	TIN		2, 3, 4, 7, 8, 9, 12, 13, 14, 16, 19, 21, 22, 23
	B	GRAY	34825-8241	34825-9241	34825-0241	TIN		N/A
	B	GRAY	N/A	N/A	34825-0245	TIN		2, 3, 4, 7, 8, 9, 12, 13, 14, 16, 19, 21, 22, 23
	C	DARK GRAY	34825-8242	34825-9242	34825-0242	TIN		N/A
12	A	BLACK	215425-8124	215425-9124	215425-0124	TIN	V0	N/A
	B	GRAY	215425-8125	215425-9125	215425-0125	TIN		
	C	DARK GRAY	215425-8126	215425-9126	215425-0126	TIN		
16	A	BLACK	215425-8160	215425-9160	215425-0160	TIN	V0	N/A
	B	GRAY	215425-8161	215425-9161	215425-0161	TIN		
	C	DARK GRAY	215425-8162	215425-9162	215425-0162	TIN		
20	A	BLACK	215425-8200	215425-9200	215425-0200	TIN	V0	N/A
	B	GRAY	215425-8201	215425-9201	215425-0201	TIN		
	C	DARK GRAY	215425-8202	215425-9202	215425-0202	TIN		
24	A	BLACK	215425-8240	215425-9240	215425-0240	TIN	V0	N/A
	B	GRAY	215425-8241	215425-9241	215425-0241	TIN		
	C	DARK GRAY	215425-8242	215425-9242	215425-0242	TIN		

## MATING COMPONENTS FOR ALL MATING COMPONENT PART NUMBERS SEE THE FOLLOWING SALES DRAWINGS

- GEN I RECEPTACLE ONLY: SD-34824-002
- GEN I RECEPTACLE WITH CPA: SD-34824-003
- GEN II: 2065230000

THIS DRAWING CONTAINS INFORMATION THAT IS PROPRIETARY TO MOLEX ELECTRONIC TECHNOLOGIES, LLC AND SHOULD NOT BE USED WITHOUT WRITTEN PERMISSION									
DIMENSION UNITS <b>mm</b>		SCALE <b>1:1</b>		CURRENT REV DESC:					
GENERAL TOLERANCES (UNLESS SPECIFIED)				<b>molex</b> MINI50 12-24CKT VERT HDR SALES DRAWING PRODUCT CUSTOMER DRAWING					
ANGULAR TOL ± 3.0°		4 PLACES ±		3 PLACES ±		2 PLACES ± 0.1		1 PLACE ± 0.2	
0 PLACES ±		DRAFT WHERE APPLICABLE MUST REMAIN WITHIN DIMENSIONS		THIRD ANGLE PROJECTION		DRAWING <b>D-SIZE</b>		SERIES <b>34825</b>	
DOCUMENT STATUS P1		RELEASE DATE 2021/05/18 15:37:14		EC NO: 663283		DRWN: SRUSS 2021/05/07		CHK'D: KHEWITT 2021/05/07	
				APPR: JDUNAJ 2021/05/18		INITIAL REVISION:		DOCUMENT NUMBER <b>SD-34825-001</b>	
				DRWN: TMACHUGA 2012/05/03		APPR: SMARCEAU 2012/05/03		DOC TYPE PSD	
								DOC PART 001	
								REVISION <b>H5</b>	
								SHEET NUMBER 4 OF 4	

单击下面可查看定价，库存，交付和生命周期等信息

[>>MOLEX](#)