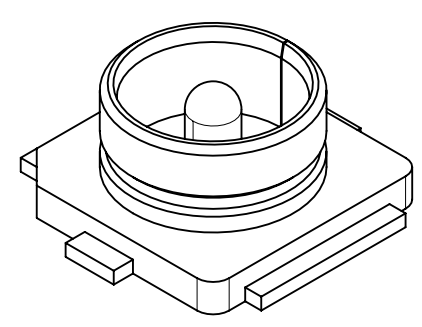


MATERIAL AND FINISHES:

BASE: LCP E6808 UHF
 CONTACT: BRASS
 C2680 (t=0.15)
 PLATED: GOLD (0.03 MICROMETER MINIMUM) OVER
 NICKEL (1~4 MICROMETER)
 OUTER CONTACT: PHOSPHOR BRONZE
 C5191 (t=0.15)
 PLATED: GOLD (0.03 MICROMETER MINIMUM) OVER
 NICKEL (1~4 MICROMETER)

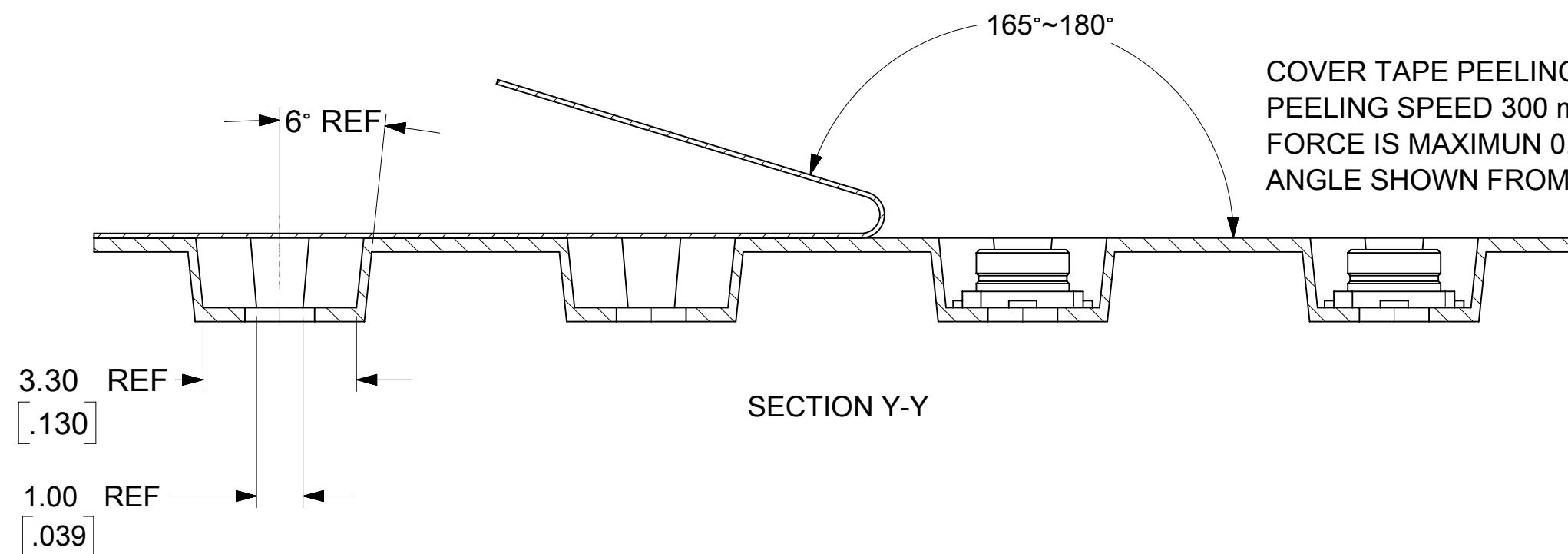
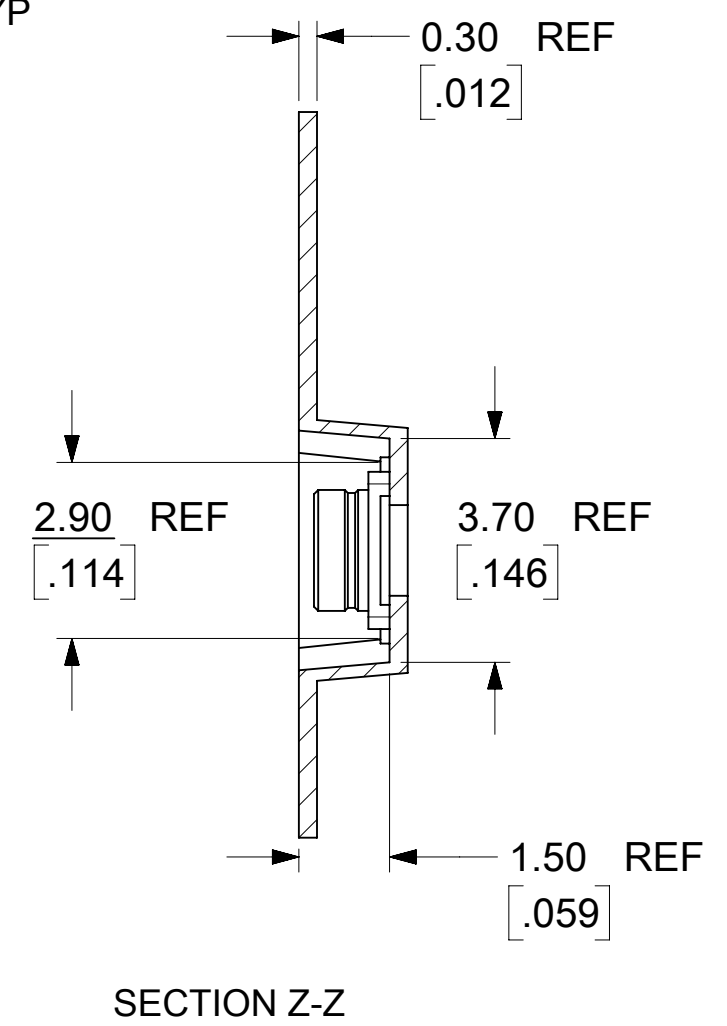
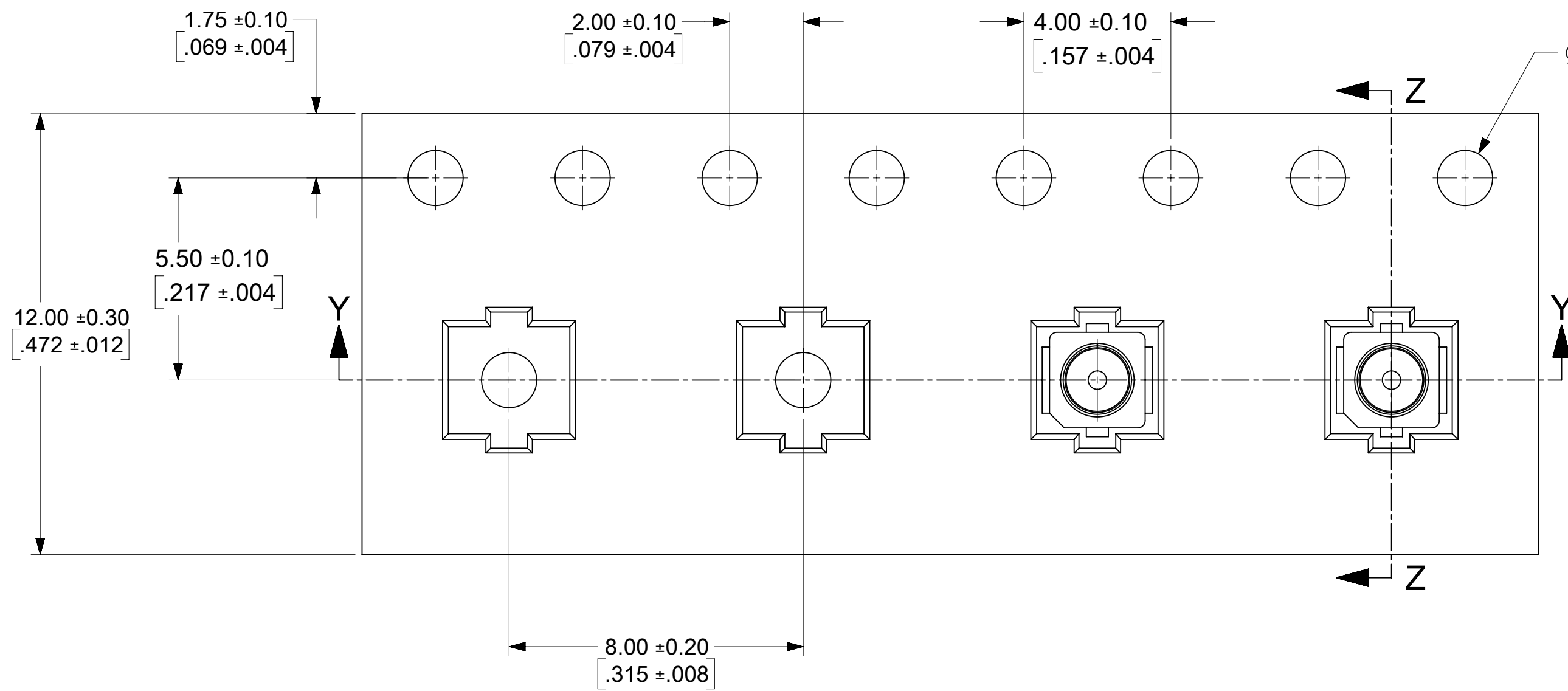
WILL WITHSTAND REFLOW
 TEMPERATURE OF
 260 DEG C 40 SEC MAXIMUM
 VSWR
 DC-6GHz: 1.30 MAX



73412-0116	BAG (500 SETS)
73412-0114	TAPE AND REEL (1K/REEL)
73412-0110	TAPE AND REEL (5K/REEL)
PART NO.	PACKAGING

FUNCTIONAL SYMBOLS		THIS DRAWING CONTAINS INFORMATION THAT IS PROPRIETARY TO MOLEX ELECTRONIC TECHNOLOGIES, LLC AND SHOULD NOT BE USED WITHOUT WRITTEN PERMISSION	
FA = 0	DIMENSION UNITS	SCALE	CURRENT REV DESC: UPDATED FOR NEW MOLD RER EWR14916-A & PCN511407
EA = 0	MM/INCH	NTS	
EP = 0	GENERAL TOLERANCES (UNLESS SPECIFIED)		
	ANGULAR TOL ± 2.0°		
	4 PLACES	±	EC NO: 714253
	3 PLACES	±	DRWN: CWEI02 2021/12/16
	2 PLACES	± 0.25	CHK'D: YCHENG 2022/07/20
	1 PLACE	± 0.13	APPR: YCHENG 2022/07/20
	0 PLACES	±	INITIAL REVISION:
			DRWN: YCHENG 2005/03/15
			APPR: MHUANG 2005/03/21
DIVISIONAL SYMBOLS		THIRD ANGLE PROJECTION	DRAWING SERIES
DRAFT WHERE APPLICABLE MUST REMAIN WITHIN DIMENSIONS		C-SIZE	73412
DOCUMENT NUMBER		CUSTOMER	SHEET NUMBER
SD-73412-011		GENERAL MARKET	1 OF 4

PS-73598-0210	PROD SPEC
SPECIFICATION	DESCRIPTION
DOCUMENT STATUS	P1
RELEASE DATE	2022/07/20 14:31:59



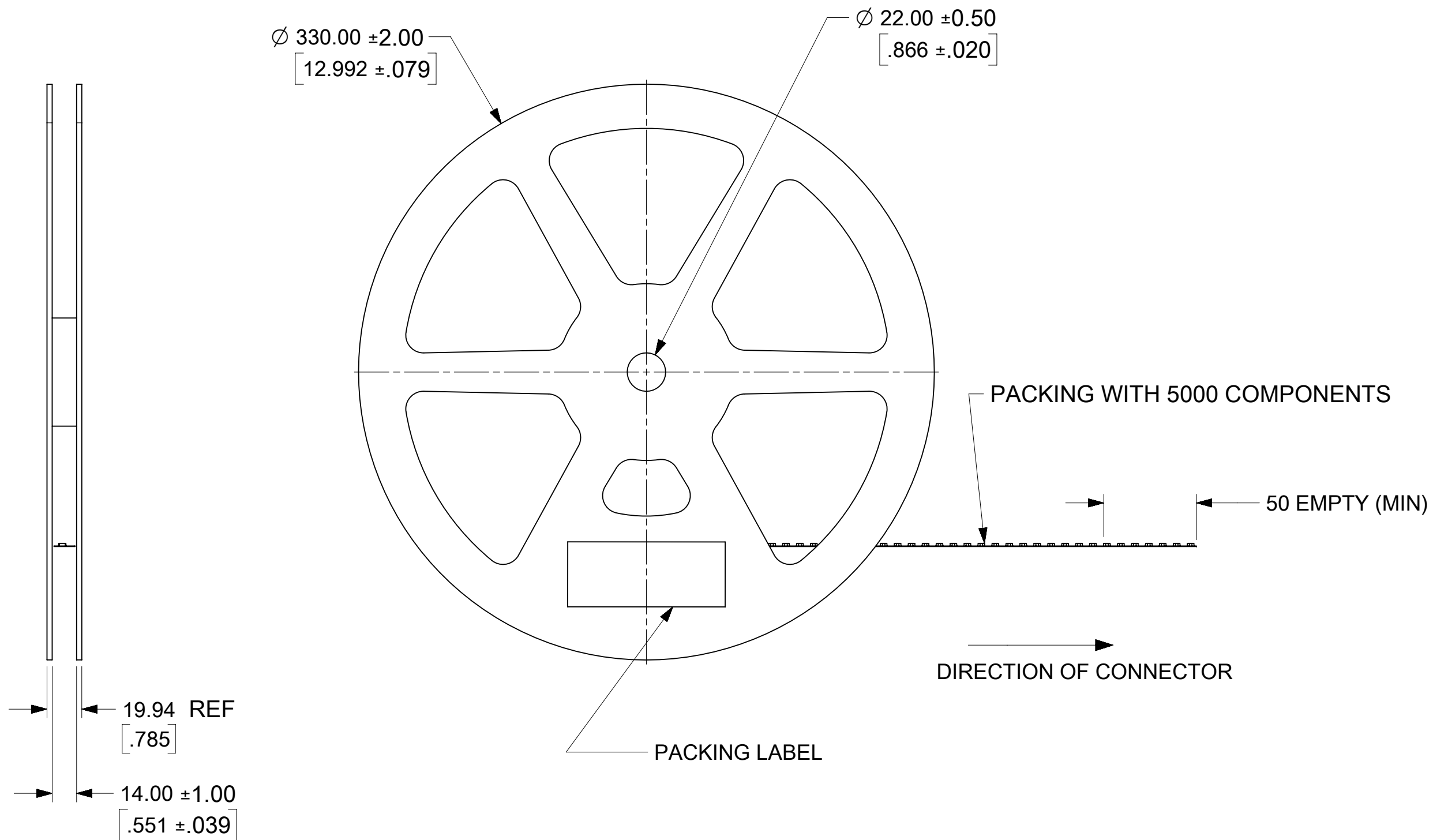
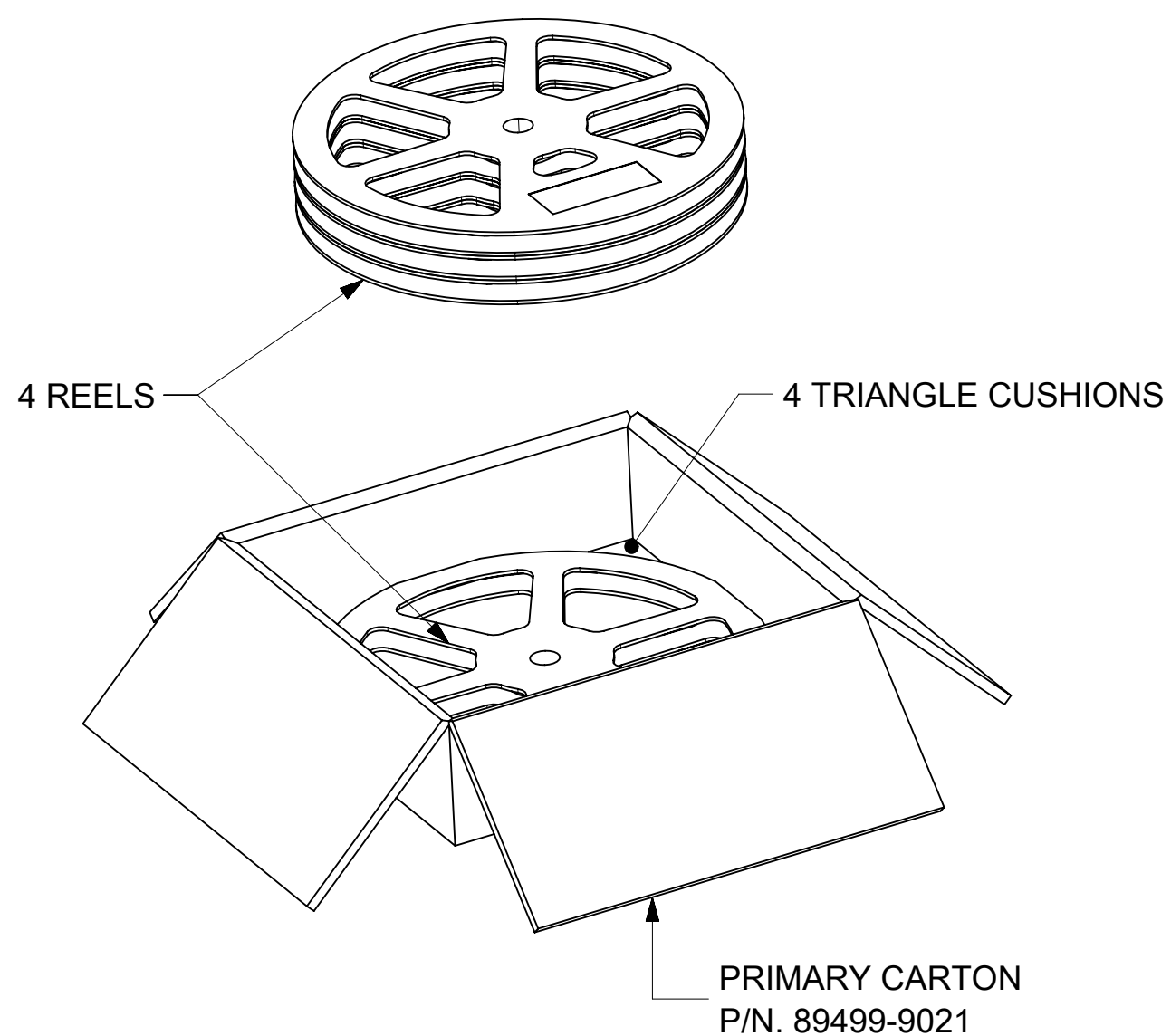
COVER TAPE PEELING FORCE:
 PEELING SPEED 300 mm/Min(REF)
 FORCE IS MAXIMUM 0.2 N~0.9 N AT
 ANGLE SHOWN FROM FEED DIRECTION

NOTES:

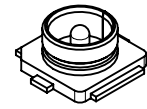
- 10 SPROCKET HOLE PITCH CUMULATIVE TOLERANCE $\pm 0.20\text{mm}$
- CARRIER CAMBER IS WITH 1mm IN 250mm
- MATERIAL : TRANSPARENT POLYSTYRENE
- ALL DIMENSIONS MEET EIA-481-1 REQUIREMENT
- COMPONENT LOAD PER 13" REEL (5,000 PCS),
COMPONENT LOAD PER 7" REEL (1,000 PCS),

FUNCTIONAL SYMBOLS	THIS DRAWING CONTAINS INFORMATION THAT IS PROPRIETARY TO MOLEX ELECTRONIC TECHNOLOGIES, LLC AND SHOULD NOT BE USED WITHOUT WRITTEN PERMISSION		CURRENT REV DESC: UPDATED FOR NEW MOLD RER EWR14916-A & PCN511407		molex					
	DIMENSION UNITS	SCALE								
$\nabla_A = 0$	MM/INCH	NTS	EWR-14242-J ADDED LABEL FORMAT FOR 73412-0116		MCRF RECEPTACLE VERTICAL MCRF-J					
$\nabla_C = 0$	GENERAL TOLERANCES (UNLESS SPECIFIED)		EC NO: 714253							
$\nabla_P = 0$	ANGULAR TOL $\pm 2.0^\circ$		DRWN: CWEI02		2021/12/16					
DIVISIONAL SYMBOLS	4 PLACES \pm		CHK'D: YCHENG		2022/07/20					
	3 PLACES \pm		APPR: YCHENG		2022/07/20					
	2 PLACES ± 0.25		INITIAL REVISION:		2005/03/15					
	1 PLACE ± 0.13		DRWN: YCHENG		2005/03/21					
0 PLACES \pm		APPR: MHUANG		SD-73412-011						
DRAFT WHERE APPLICABLE MUST REMAIN WITHIN DIMENSIONS		THIRD ANGLE PROJECTION		DRAWING	SERIES	MATERIAL NUMBER	CUSTOMER	DOC TYPE	DOC PART	REVISION
				C-SIZE	73412	SEE TABLE	GENERAL MARKET	PSD	001	D

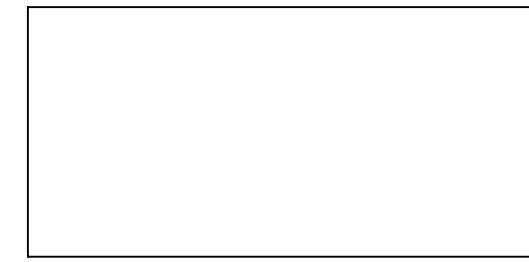
NOTE:
FOR 73412-0110 ONLY



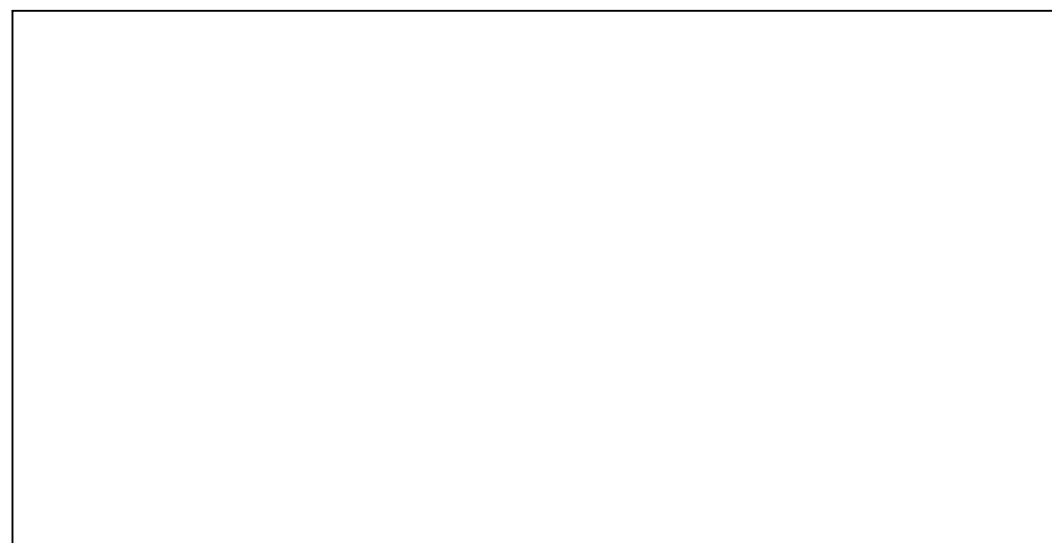
FUNCTIONAL SYMBOLS	THIS DRAWING CONTAINS INFORMATION THAT IS PROPRIETARY TO MOLEX ELECTRONIC TECHNOLOGIES, LLC AND SHOULD NOT BE USED WITHOUT WRITTEN PERMISSION												
	DIMENSION UNITS	SCALE	CURRENT REV DESC: UPDATED FOR NEW MOLD RER EWR14916-A & PCN511407							molex			
$\frac{F}{A} = 0$	MM/INCH	NTS	EWR-14242-J ADDED LABEL FORMAT FOR 73412-0116									MCRF RECEPTACLE VERTICAL MCRF-J	
$\frac{F}{C} = 0$	GENERAL TOLERANCES (UNLESS SPECIFIED)		EC NO: 714253							PRODUCT CUSTOMER DRAWING			
$\frac{F}{P} = 0$	ANGULAR TOL ± 2.0°		DRWN: CWEI02				2021/12/16		DOCUMENT NUMBER		DOC TYPE	DOC PART	REVISION
DIVISIONAL SYMBOLS	4 PLACES ±		CHK'D: YCHENG				2022/07/20		SD-73412-011				
	3 PLACES ±		APPR: YCHENG				2022/07/20		PSD 001 D				
	2 PLACES ± 0.25		INITIAL REVISION:				2005/03/15		MATERIAL NUMBER				
	1 PLACE ± 0.13		DRWN: YCHENG				2005/03/21		CUSTOMER				
	0 PLACES ±		APPR: MHUANG				2005/03/21		GENERAL MARKET				
DRAFT WHERE APPLICABLE MUST REMAIN WITHIN DIMENSIONS			THIRD ANGLE PROJECTION		DRAWING	SERIES	SHEET NUMBER		SEE TABLE				
					C-SIZE	73412	3 OF 4						



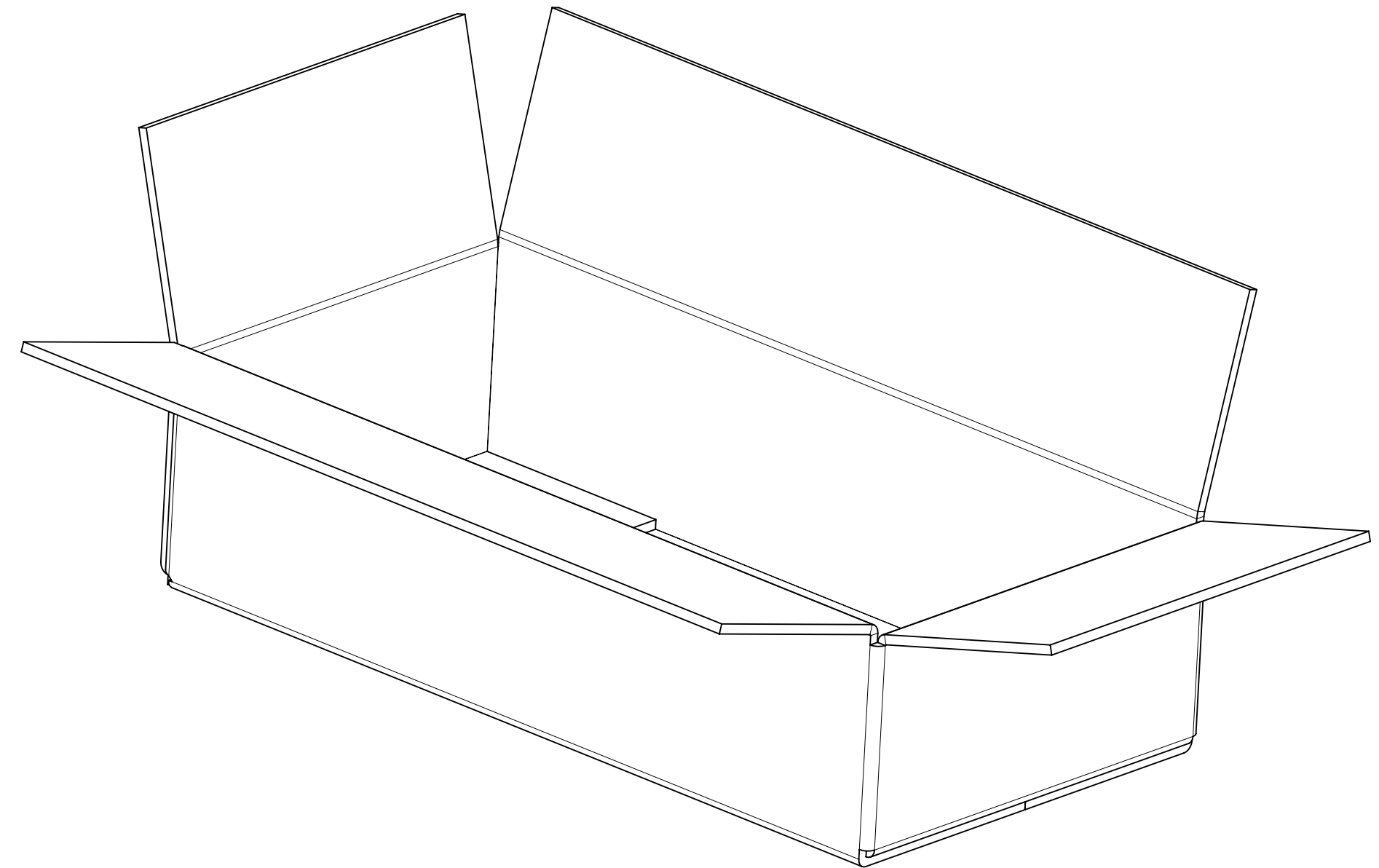
FOR 73412-0116 ONLY



10 SET PER POLYBAG
P/N: 89707-0318

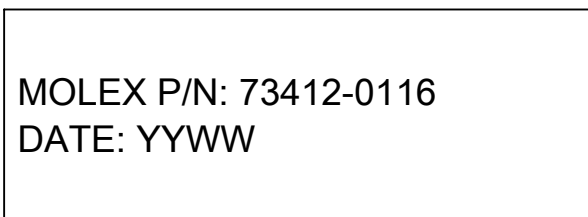


100 SET PER POLYBAG
P/N: 89707-0001



500 SET PER OUTER CARTON BOX
P/N: 96707-0003

LABEL WITH EACH BAG
FOR 73412-0116



THIS DRAWING CONTAINS INFORMATION THAT IS PROPRIETARY TO MOLEX ELECTRONIC TECHNOLOGIES, LLC AND SHOULD NOT BE USED WITHOUT WRITTEN PERMISSION									
FUNCTIONAL SYMBOLS	DIMENSION UNITS	SCALE	CURRENT REV DESC: UPDATED FOR NEW MOLD RER EWR14916-A & PCN511407				molex		
$\frac{F}{A} = 0$	MM/INCH	NTS	EWR-14242-J ADDED LABEL FORMAT FOR 73412-0116						
$\frac{F}{C} = 0$	GENERAL TOLERANCES (UNLESS SPECIFIED)		EC NO: 714253				MCRF RECEPTACLE VERTICAL MCRF-J		
$\frac{F}{P} = 0$	ANGULAR TOL $\pm 2.0^\circ$		DRWN: CWEI02 2021/12/16				PRODUCT CUSTOMER DRAWING		
DIVISIONAL SYMBOLS	4 PLACES \pm		CHK'D: YCHENG 2022/07/20				DOCUMENT NUMBER		
	3 PLACES \pm		APPR: YCHENG 2022/07/20				SD-73412-011		
	2 PLACES ± 0.25		INITIAL REVISION:				DOC TYPE DOC PART REVISION		
	1 PLACE ± 0.13		DRWN: YCHENG 2005/03/15				PSD 001 D		
	0 PLACES \pm		APPR: MHUANG 2005/03/21				SHEET NUMBER		
DRAFT WHERE APPLICABLE MUST REMAIN WITHIN DIMENSIONS			THIRD ANGLE PROJECTION		DRAWING	SERIES	MATERIAL NUMBER		CUSTOMER
					C-SIZE	73412	GENERAL MARKET		4 OF 4

单击下面可查看定价，库存，交付和生命周期等信息

[>>MOLEX](#)