

Mini-Fit Sr.™

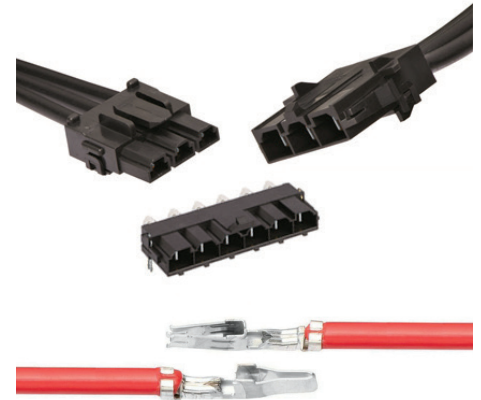
Power Connectors, Silver-plated



Silver-plated connectors support up to 50.0A current with superb electrical reliability and significant cost-savings over a vast range of industrial, consumer, power supply, medical and commercial vehicle applications

Features and Benefits

Silver-plated contacts	Offers significant cost-savings over gold-plated systems; avoids the need to manually lubricate Tin-plated versions to mitigate fretting corrosion
High amperage interconnect solution (50.0A)	Supports high-power server, telecommunication and industrial equipment requirements
Polarized housing	Prevents connector mis-mating
Dual-beam (female) terminal design	Gives four points of contact and ensures superb contact reliability
Terminal Position Assurance (TPA) retainer required on housings	Prevents terminal back-out



Silver-plated Mini-Fit Sr. Connector Solutions

Applications

Industrial

- Copiers
- Printers
- Power supplies

Data/Networking/

- ### Telecom
- Servers
 - Power supplies

Consumer

- Washers
- Dryers

Medical

- X-ray

Automotive

- Two-wheelers
- Commercial vehicles



Two-wheelers



Commercial Vehicles



Copiers



Consumer Appliances



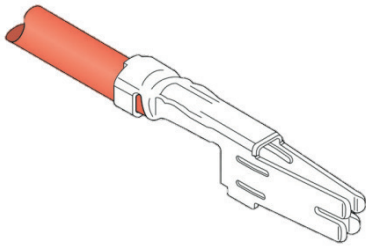
Vending Machines

Mini-Fit Sr.™

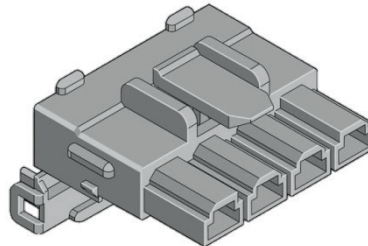
Power Connectors, Silver-plated



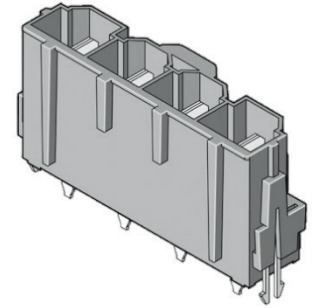
Mating Configuration



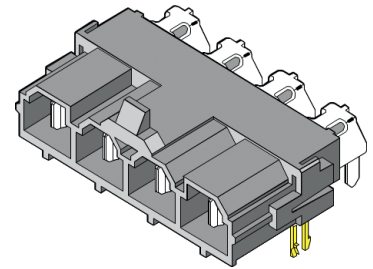
Female crimp terminal



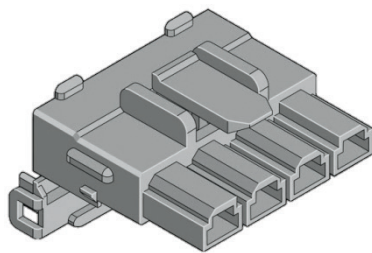
Single-row wire-to-wire receptacle with positive lock and TPA retainer



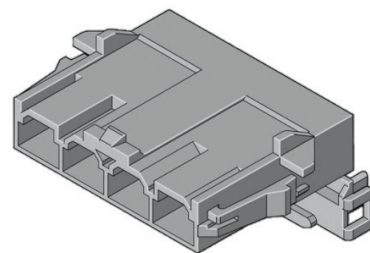
Vertical, through-hole, single-row PCB header with forklocks



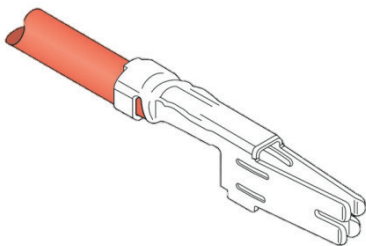
Right angle, through-hole, single-row PCB header with forklocks



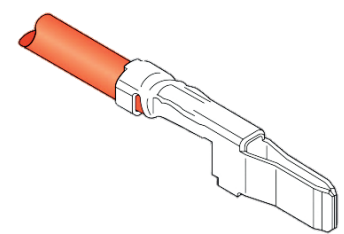
Single-row wire-to-wire receptacle with positive lock and TPA retainer



Panel-mounted single-row plug



Female crimp terminal



Male crimp terminal

Specifications

Reference Information

Packaging: Housing (Bulk);
 Terminals (Reels);
 Headers (Tray or Tube)
 UL File No.: E29179
 CSA File No.: LR19980-555
 TUV File No.: R 9751144, R 9950481
 RoHS: Yes
 Halogen Free: No
 Glow Wire Compliant: No
 Terminals: Silver (Ag)-plated

Electrical

Voltage (max.): 600V AC /DC
 Current (max.): 50.0A per contact
 Contact Resistance (max.): 1.0 milliohm
 Insulation Resistance (min.): 1000 megohm

Mechanical

Contact Insertion Force: 0.25kg (min.) and 3kg (max.)
 Contact Retention to Housing (min.): 10.0 kg
 Insertion Force to PCB (max.): 2.0kg
 Mating Force (max.): 3.0kg
 Unmating Force (max.): 3.0kg
 Durability (min.): 30 cycles

Physical

Housing: Black
 Contact: Copper Alloy
 Plating:
 Contact Area — Silver (Ag)
 Solder Tail Area — Tin (Sn)
 Underplating — Nickel (Ni)
 PCB Thickness: 0.062, 0.093, 0.125, 0.25mm
 Operating Temperature: -40 to +105 °C

Ordering Information

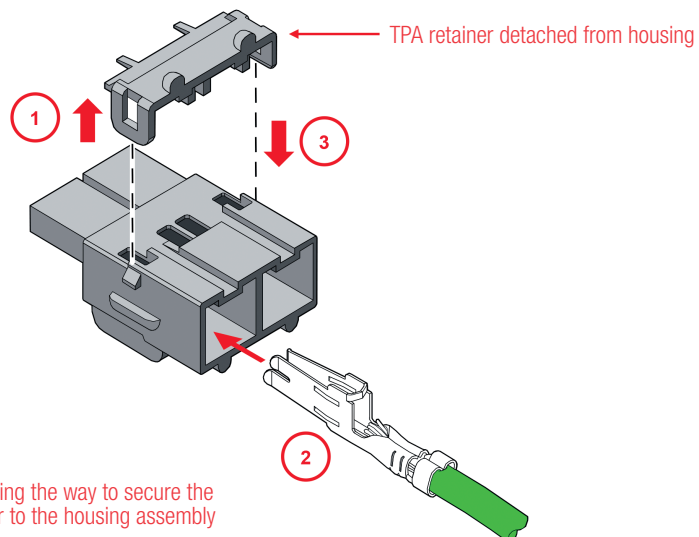
Series No.	Connector	Circuits	Use With
42815	Female Terminal, Silver-plated	N.A.	8; 10 to 12; 14 to 16 AWG wire sizes
42817	Male Terminal, Silver-plated	N.A.	
42819	Vertical Header, Single-row	2 to 6	Accommodates 1.57, 2.36, 3.18, and 6.35mm-thick PCBs
42820	Right Angle Header, Single-row		

Remarks:

- a) Dual-row (Series 43915) Vertical header and reflow-capable Single-row Vertical and Right Angle variants are available in selected circuit sizes. Please contact our sales person for enquires on these.
 b) Molex also supplies Gold (Au)-plated terminal version connectors if required. Please contact our sales person for enquires on these.

TPA Retainer – Application Guide

1. Detach TPA retainer from the housing as shown in the reverse (or underside) view of the crimp receptacle
2. Insert the appropriate terminal into the housing (female terminal used in illustration)
3. Snap the TPA retainer onto the receptacle housing to secure the assembly as shown below



单击下面可查看定价，库存，交付和生命周期等信息

[>>MOLEX](#)