

注記：  
NOTES:

1. 材質：TABLE 1参照  
MATERIAL：SEE TABLE 1

2. 梱包仕様書、製品仕様書、嵌合相手はSHEET 2をご参照ください。  
PLEASE REFER TO SHEET 2 FOR PACKAGING SPECIFICATION, PRODUCT SPECIFICATION AND MATE WITH.

3. 本製品はコインなし品である。  
コインあり品は52670002-SD/PSD/000をご参照ください。  
THIS PRODUCT IS WITHOUT COIN.  
PLEASE REFER TO 52670002-SD/PSD/000 FOR WITH COIN PRODUCT.

4. 発注番号：ORDER NO.  
22035\*\*5

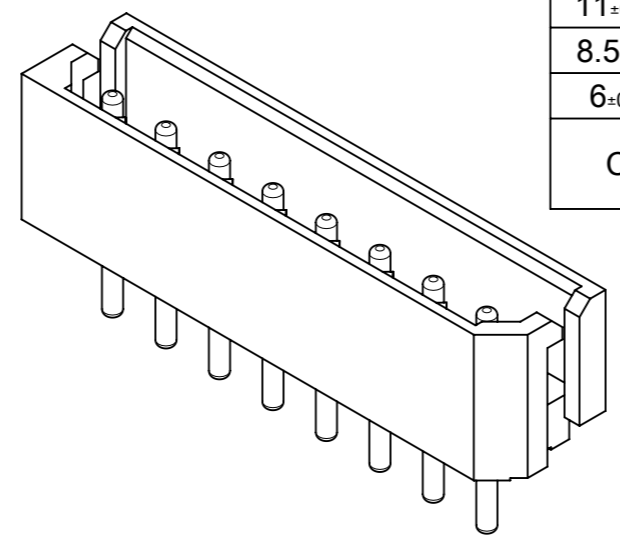
極数  
CIRCUIT SIZE

38.5±0.3	35	39.9±0.3	ポリ袋 POLY BAG	5267NA	526715A	22035155	15
36±0.3	32.5	37.4±0.3			526714A	22035145	14
33.5±0.3	30	34.9±0.3			526713A	22035135	13
31±0.3	27.5	32.4±0.3			526712A	22035125	12
28.5±0.25	25	29.9±0.25			526711A	22035115	11
26±0.25	22.5	27.4±0.25			526710A	22035105	10
23.5±0.25	20	24.9±0.25			526709A	22035095	9
21±0.25	17.5	22.4±0.25			526708A	22035085	8
18.5±0.25	15	19.9±0.25			526708A	22035075	7
16±0.25	12.5	17.4±0.25			526706A	22035065	6
13.5±0.25	10	14.9±0.25	526705A	22035055	5		
11±0.25	7.5	12.4±0.25	526704A	22035045	4		
8.5±0.2	5	9.9±0.2	526703A	22035035	3		
6±0.2	2.5	7.4±0.2	526702A	22035025	2		
C	B	A	梱包形態 PACKAGING	シリーズ番号 SERIES NO.	ENG. NO.	発注番号 ORDER NO.	極数 CIRCUIT SIZE

TABLE 1

番号 NO.	部品 PART	材質 MATERIAL
1	ハウジング HOUSING	ポリアミド(PA), UL94V-0, 色: ナチュラル(白) POLYAMIDE(PA), UL94V-0, COLOR: NATURAL (WHITE)
2	ピン PIN	母材 BASE METAL
		めっき PLATING
		下地めっき UNDERPLATING

DOCUMENT STATUS	P1	RELEASE DATE	2023/03/09
-----------------	----	--------------	------------



THIS DRAWING CONTAINS INFORMATION THAT IS PROPRIETARY TO MOLEX ELECTRONIC TECHNOLOGIES, LLC AND SHOULD NOT BE USED WITHOUT WRITTEN PERMISSION

DIMENSION UNITS: mm SCALE: NTS

GENERAL TOLERANCES (UNLESS SPECIFIED):  
ANGULAR TOL ± 3.0°

4 PLACES ±  
3 PLACES ±  
2 PLACES ± 0.2  
1 PLACE ± 0.2  
0 PLACES ±

DRAFT WHERE APPLICABLE MUST REMAIN WITHIN DIMENSIONS

THIRD ANGLE PROJECTION

DRAWING: A3-SIZE

SERIES: 5267

MATERIAL NUMBER: SEE CHART

CUSTOMER: GENERAL

SHEET NUMBER: 1 OF 2

EC NO: 727270  
DRWN: SOKUMURA01 2022/11/30  
CHK'D: SAKIYAMA 2023/03/09  
APPR: AIDA 2023/03/09

INITIAL REVISION:  
DRWN: SUDAYGUNAGI 2019/06/18  
APPR: KOMURAKAMI 2020/05/13

DOCUMENT NUMBER: 52670001-SD

DOC TYPE: PSD

DOC PART: 000

REVISION: B

**molex**

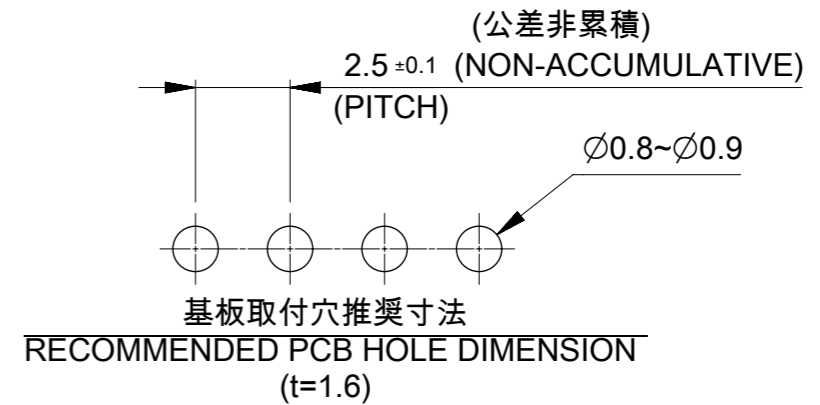
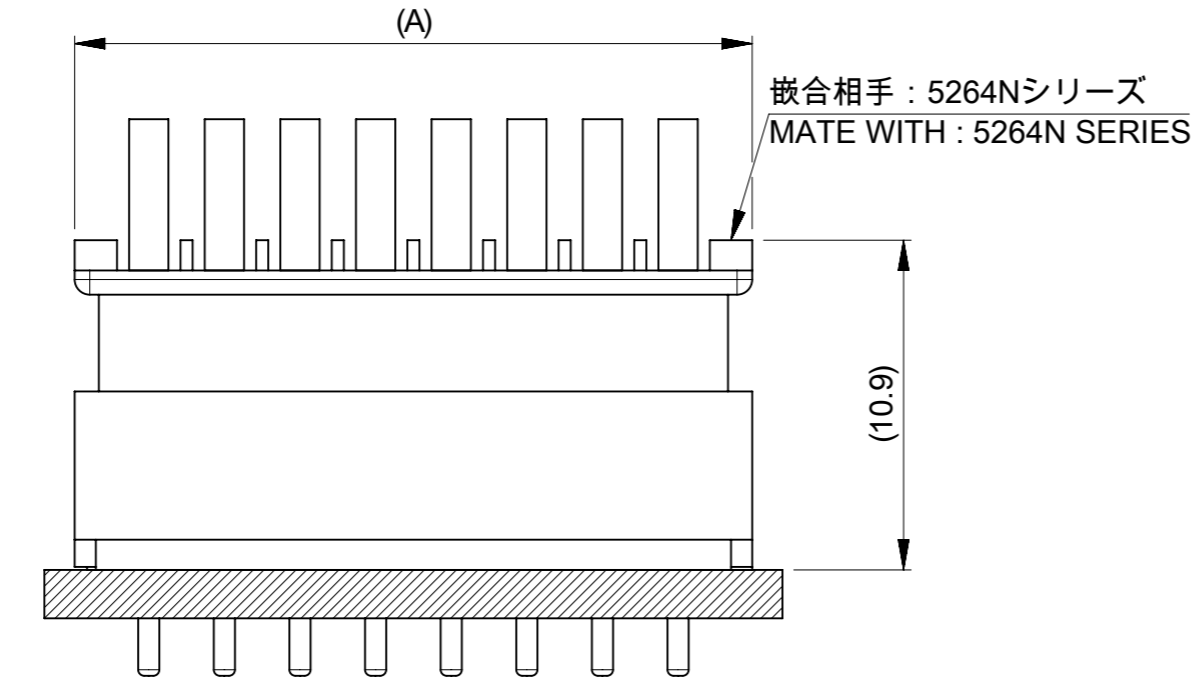
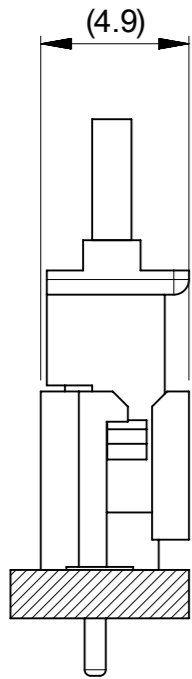
MINI-SPOX 2.5 W/B  
VERTICAL PLUG ASSEMBLY WITHOUT COIN  
COPPER UNDERPLATING

PRODUCT CUSTOMER DRAWING

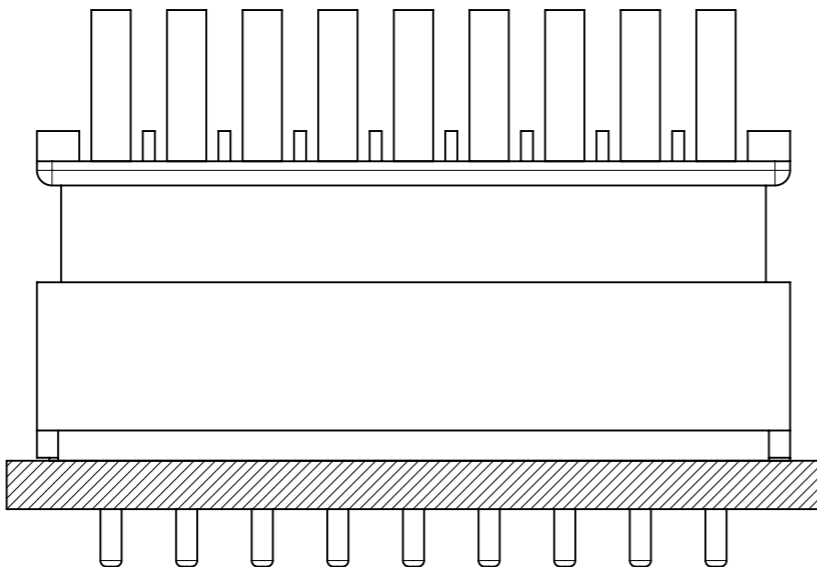
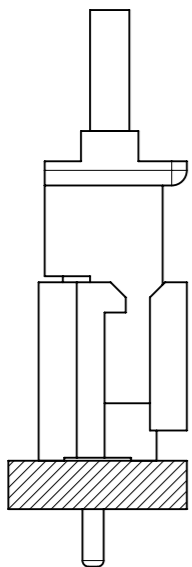
△ 適用製品及び各種仕様書  
 APPLICABLE PRODUCTS AND VARIOUS SPECIFICATIONS

梱包仕様書 PACKAGING SPECIFICATION	ORDER NO. 22035**5	SPECIFICATION NO. SPK-5267-001 PS 001
嵌合相手 MATE WITH	RECEPTACLE HOUSING	
シリーズ番号 SERIES NO.	5264N	
製品仕様書 PRODUCT SPECIFICATION	PS-5264-001 PS 001	

2-8極  
2-8 CIRCUIT



9-15極  
9-15 CIRCUIT



嵌合図

MATING CONNECTORS

THIS DRAWING CONTAINS INFORMATION THAT IS PROPRIETARY TO MOLEX ELECTRONIC TECHNOLOGIES, LLC AND SHOULD NOT BE USED WITHOUT WRITTEN PERMISSION									
DIMENSION UNITS	SCALE	CURRENT REV DESC:							
mm	NTS								
GENERAL TOLERANCES (UNLESS SPECIFIED)					MINI-SPOX 2.5 W/B VERTICAL PLUG ASSEMBLY WITHOUT COIN COPPER UNDERPLATING				
ANGULAR TOL	± 3.0 °	EC NO: 727270			PRODUCT CUSTOMER DRAWING				
4 PLACES	±	DRWN: SOKUMURA01 2022/11/30			DOCUMENT NUMBER				
3 PLACES	±	CHK'D: SAKIYAMA 2023/03/09			52670001-SD				
2 PLACES	± 0.2	APPR: AIDA 2023/03/09			DOC TYPE DOC PART REVISION				
1 PLACE	± 0.2	INITIAL REVISION:			PSD 000 B				
0 PLACES	±	DRWN: SUDAYGUNAGI 2019/06/18			MATERIAL NUMBER CUSTOMER SHEET NUMBER				
DRAFT WHERE APPLICABLE MUST REMAIN WITHIN DIMENSIONS		THIRD ANGLE PROJECTION	DRAWING	SERIES	SEE SHEET 1		GENERAL		2 OF 2
			A3-SIZE	5267					

单击下面可查看定价，库存，交付和生命周期等信息

[>>MOLEX](#)