



SALES PACKAGING SPECIFICATION



LANGUAGE
JAPANESE
ENGLISH

1. 製品名称 / PRODUCT NAME : 0.5 FPC CONN. E/O BACKFLIP H=1.0MM ASSEMBLY
EMBOSSED TAPE PACKAGING

製品番号 / PART NUMBER : 5 0 3 4 8 0 - * * 0 0
5 0 3 4 8 0 - * * 2 0 (SHARP TYPE)
5 0 3 4 8 0 - 0 4 4 0 & - 0 5 4 0
(* * は極数を示す)
(* * IS CIRCUITS SIZE)

2. 標準梱包数 / STANDARD PACK QUANTITY

極数 CKT. SIZE	キャリア テープ幅 (mm) CARRIER TAPE WIDTH (mm)	1 リール中の製品数 QTY. PER REEL	外装カートン SHIPPING CARTON	
			梱包リール数 NUMBER OF REELS	製品数 QUANTITY
4	16	3,000	7	21,000
5				
6				
8				
10				
12				
14	24	3,000	6	18,000
16				
17				
18				
20				
22				
24				
26				
32	32	3,000	5	15,000

REV.	I					
SHEET	1~2					
REVISE ON PC ONLY		TITLE:				
I	変更 REVISED KOR2015-0144 2015/06/01 YRKIM		5 0 3 4 8 0 梱包仕様書 SALES PACKAGING SPEC. FOR 503480			
	THIS DOCUMENT CONTAINS INFORMATION THAT IS PROPRIETARY TO MOLEX INC. AND SHOULD NOT BE USED WITHOUT WRITTEN PERMISSION					
REV.	DESCRIPTION					
DESIGN CONTROL KOR		STATUS	WRITTEN BY: YR.KIM	CHECKED BY: KS.KIM	APPROVED BY: YSOO.KIM	DATE : YR/MO/DAY 2015/06/01

DOCUMENT NUMBER SPK-503480-001	FILE NAME SPK503480001.doc	SHEET 1 of 2
--	-------------------------------	-----------------

EN-37(019)



SALES PACKAGING SPECIFICATION

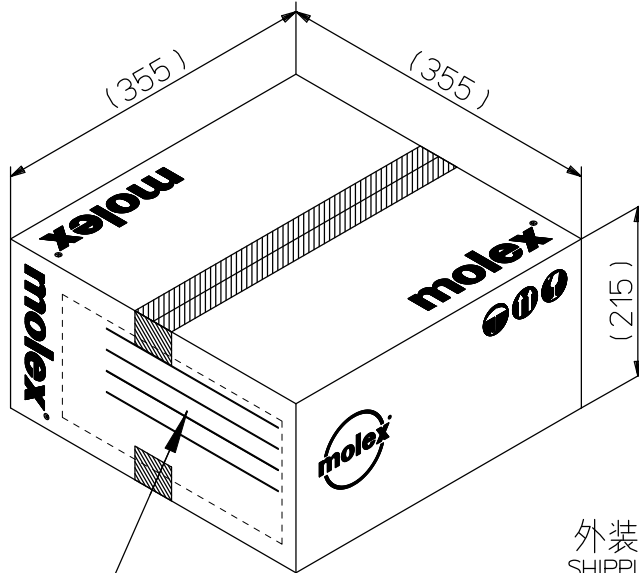


LANGUAGE

JAPANESE

ENGLISH

3.カートン外形参考寸法/CARTON OUTER DIMENSIONS (REFERENCE PURPOSE ONLY)



外装カートン
SHIPPING CARTON

モレックス現品票
PART IDENTIFICATION LABEL
(製品型番、数量、ロットNO.表示)
INDICATION OF PART No., QUANTITY, LOT No.

REVISE ON PC ONLY		TITLE:	
I	SEE SHEET 1 OF 2	503480 梱包仕様書 SALES PACKAGING SPEC. FOR 503480	
REV.	DESCRIPTION	THIS DOCUMENT CONTAINS INFORMATION THAT IS PROPRIETARY TO MOLEX INC. AND SHOULD NOT BE USED WITHOUT WRITTEN PERMISSION	
DOCUMENT NUMBER SPK-503480-001		FILE NAME SPK503480001.doc	SHEET 2 of 2

单击下面可查看定价，库存，交付和生命周期等信息

[>>MOLEX](#)