

NOTES

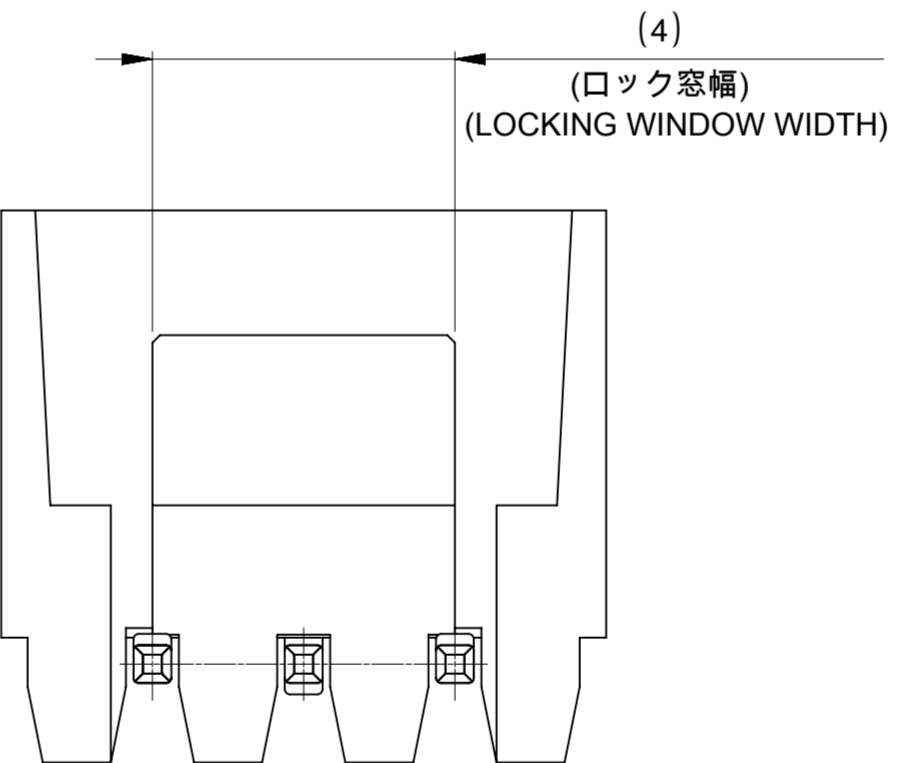
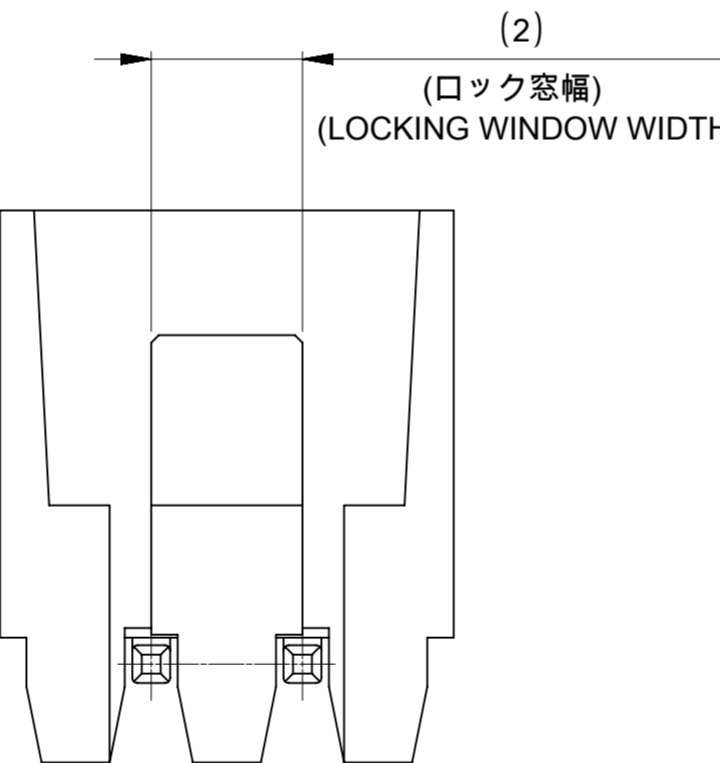
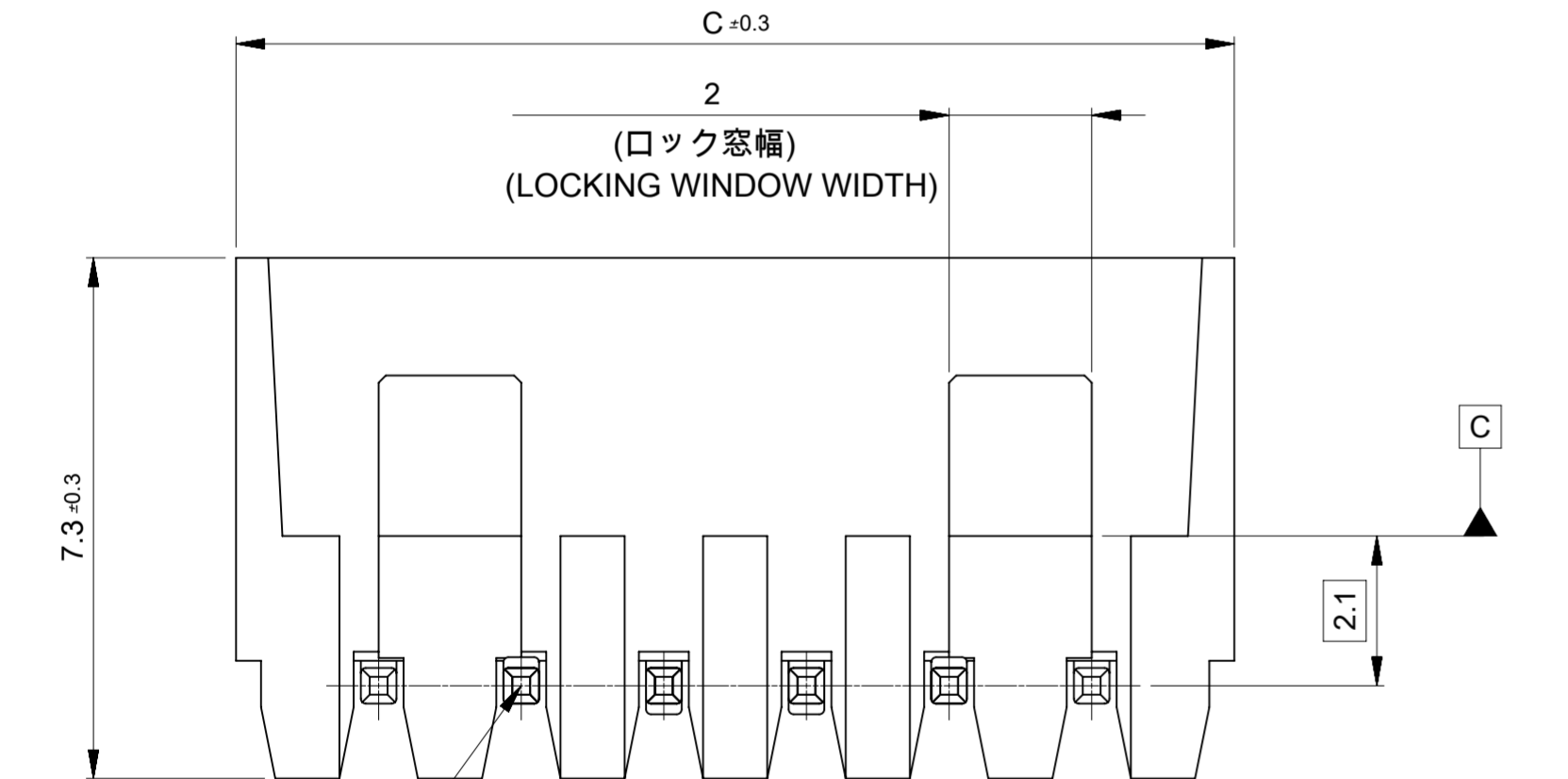
① 材料及仕上げ (めっき仕様) : TABLE 1参照
 MATERIAL AND FINISHES: SEE TABLE 1

② 適用製品及び各種仕様書はSHEET 2をご参考ください
 PLEASE REFER TO SHEET 2 FOR APPLICABLE PRODUCTS AND VARIOUS SPECIFICATIONS.

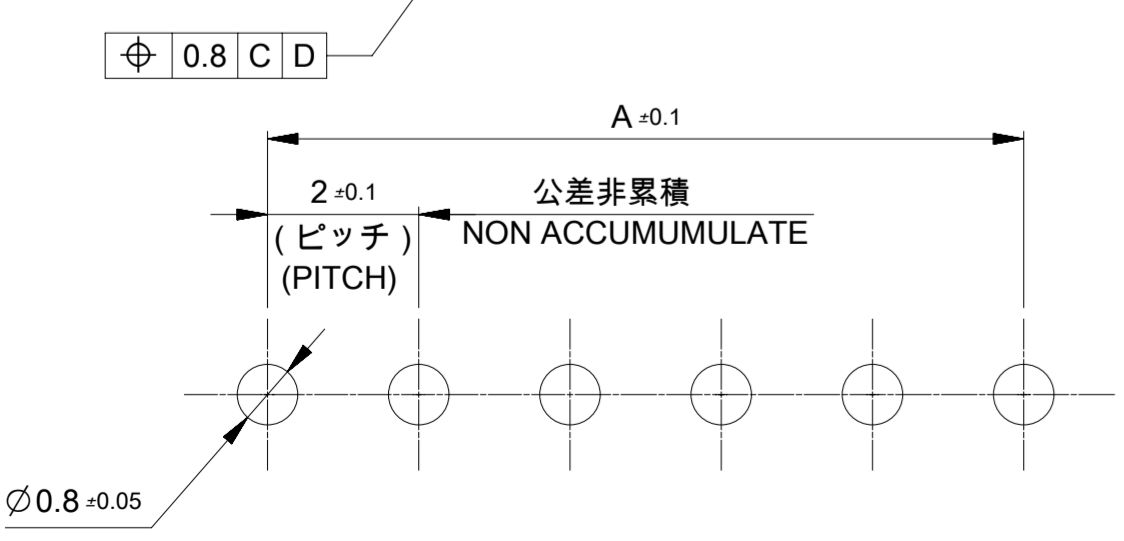
③ キンクは下記表の位置及び形状に付加のこと。2極はキンク無し。
 KINK TO BE APPLIED AS FOLLOWS, 2 CIRCUIT HAS NO KINK.

極数 CKT	回路番号 CIRCUIT NO	回路番号 CIRCUIT NO							
		1	2	3	4	5	N-2	N-1	N
6極以上 MORE THAN 6 CKT		-	(A)	(B)	-	-	(B)	(A)	-
5極 5CKT		(A)	(B)	-	(B)	(A)			
4極 4CKT		(A)	(B)	(B)	(A)				
3極 3CKT		(A)	(B)	(A)					

④ PART-PCB間の実装には極性がありません。
 極数番号は記載していません。
 PART-TO-PCB MOUNTING IS NOT POLARIZED:
 NO CIRCUIT NUMBERING IS REQUIRED.



32	31.1	28	532541570	15
30	29.1	26	532541470	14
28	27.1	24	532541370	13
26	25.1	22	532541270	12
24	23.1	20	532541170	11
22	21.1	18	532541070	10
20	19.1	16	532540970	9
18	17.1	14	532540870	8
16	15.1	12	532540770	7
14	13.1	10	532540670	6
12	11.1	8	532540570	5
10	9.1	6	532540470	4
8	7.1	4	532540370	3
6	5.1	2	532540270	2
C	B	A	トレイ TRAY 材料番号 MATERIAL NO	極数 CKT



① TABLE 1

NO	部品 PART	材質 MATERIAL
①	ハウジング HOUSING	ポリアミド(PA)、UL94V-0、色: ナチュラル (ベージュ) POLYAMIDE(PA), UL94V-0, COLOR: NATURAL (BEIGE)
②	ターミナル TERMINAL	黄銅 BRASS
		下地めっき UNDER PLATING ニッケルめっき : 0.5 micro-meters MIN NICKEL PLATING: 0.5 micro-meters MIN
	めっき PLATING	錫めっき : 1.0 micro-meter MIN リフロー処理 (前めっき) MATTE TIN: 1.0 micro-meter MIN REFLOW TREATMENT (PRE-PLATING)

THIS DRAWING CONTAINS INFORMATION THAT IS PROPRIETARY TO MOLEX ELECTRONIC TECHNOLOGIES, LLC AND SHOULD NOT BE USED WITHOUT WRITTEN PERMISSION

DIMENSION UNITS: mm SCALE: NTS

GENERAL TOLERANCES (UNLESS SPECIFIED):
 ANGULAR TOL ± 3.0°
 4 PLACES ± 0.2
 3 PLACES ± 0.2
 2 PLACES ± 0.2
 1 PLACE ± 0.2
 0 PLACES ± 0.2

EC NO: 636761
 DRWN: HHUSSIN 2019/10/21
 CHK'D: SAKIYAMA 2020/04/30
 APPR: KOMURAKAMI 2020/05/01

INITIAL REVISION:
 DRWN: HHUSSIN 2019/10/21
 APPR: KOMURAKAMI 2020/05/01

DRAFT WHERE APPLICABLE MUST REMAIN WITHIN DIMENSIONS

THIRD ANGLE PROJECTION

DRAWING: A2-SIZE

SERIES: 53254

EC NO: 636761
 DRWN: HHUSSIN 2019/10/21
 CHK'D: SAKIYAMA 2020/04/30
 APPR: KOMURAKAMI 2020/05/01

PRODUCT CUSTOMER DRAWING

DOCUMENT NUMBER: 532540000-SD
 DOC TYPE: PSD
 DOC PART: 000
 REVISION: A

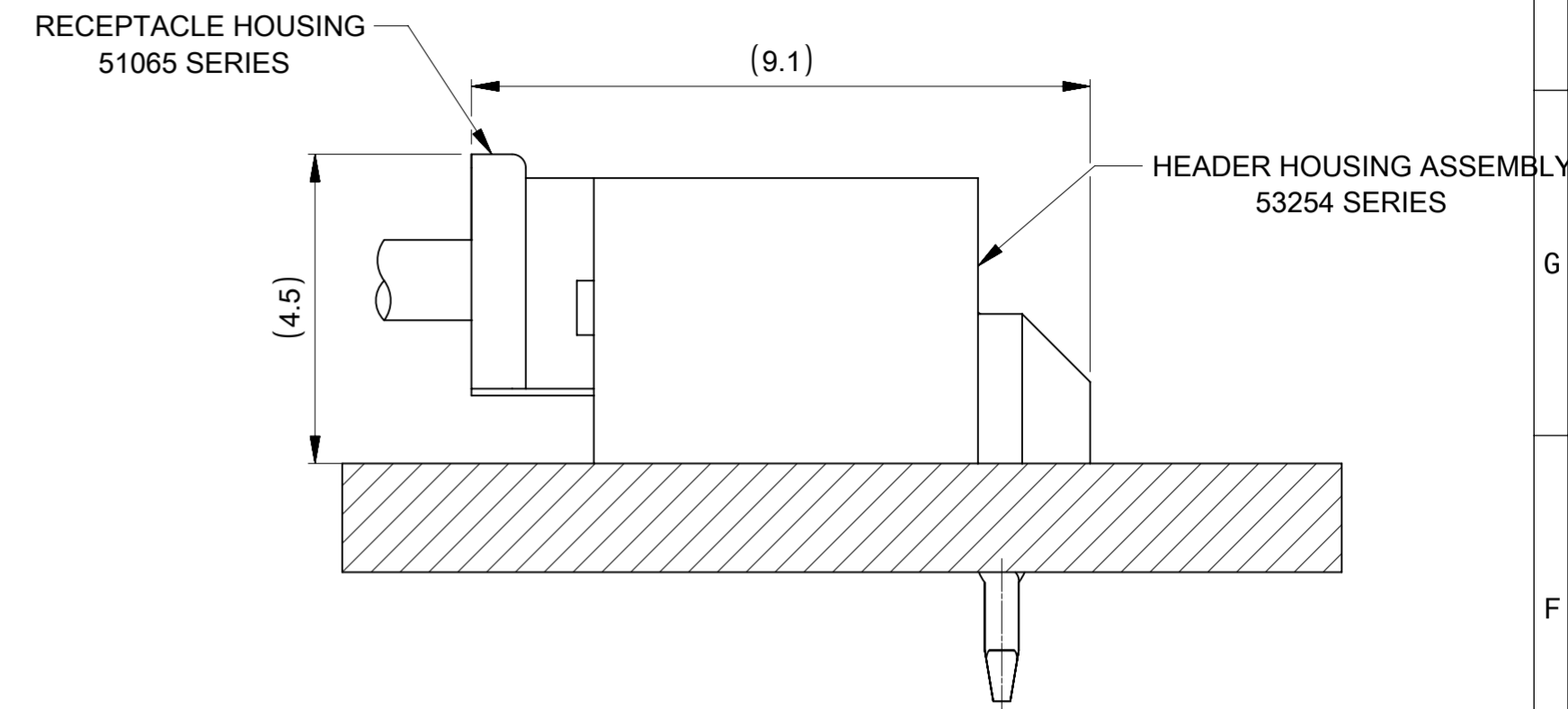
MATERIAL NUMBER: GENERAL
 CUSTOMER: GENERAL
 SHEET NUMBER: 1 OF 2

△ 適用製品及び各種仕様書
 APPLICABLE PRODUCTS AND VARIOUS SPECIFICATIONS

梱包仕様書 PACKING SPECIFICATION	PART NUMBER	SPECIFICATION NUMBER
	53254**70	532549200-SPK

適用ハウジング APPLICABLE HOUSING	SINGLE TYPE
シリーズ番号 SERIES NO	51065
製品仕様書 PRODUCT SPECIFICATION	510650000-PS/PS/000

適用端子 APPLICABLE TERMINAL	PART NUMBER	PLATING TYPE	WIRE SIZE (AWG)
	502128*00	TIN	#24-30
	503728*00		#22-26



51065シリーズ/53254シリーズ 嵌合状態図 参考
 51065 SERIES/ 53254 SERIES MATED DRAWING (REF)

THIS DRAWING CONTAINS INFORMATION THAT IS PROPRIETARY TO MOLEX ELECTRONIC TECHNOLOGIES, LLC AND SHOULD NOT BE USED WITHOUT WRITTEN PERMISSION									
DIMENSION UNITS	SCALE	CURRENT REV DESC: REDRAWN AND REVISED				molex			
mm	NTS								
GENERAL TOLERANCES (UNLESS SPECIFIED)						MICRO-LATCH 2.0 RA RIGHT-ANGLE HEADER ASSY			
ANGULAR TOL	± 3.0°	EC NO: 636761				PRODUCT CUSTOMER DRAWING			
4 PLACES	± 0.2	DRWN: HHUSSIN		2019/10/21		DOCUMENT NUMBER 532540000-SD			
3 PLACES	± 0.2	CHK'D: SAKIYAMA		2020/04/30					
2 PLACES	± 0.2	APPR: KOMURAKAMI		2020/05/01		DOC TYPE	DOC PART	REVISION	
1 PLACE	± 0.2	INITIAL REVISION:				PSD 000 A			
0 PLACES	± 0.2	DRWN: HHUSSIN		2019/10/21		MATERIAL NUMBER GENERAL			
DRAFT WHERE APPLICABLE MUST REMAIN WITHIN DIMENSIONS		APPR: KOMURAKAMI		2020/05/01					
		THIRD ANGLE PROJECTION	DRAWING	SERIES	CUSTOMER				
			A2-SIZE	53254	GENERAL				

单击下面可查看定价，库存，交付和生命周期等信息

[>>MOLEX](#)