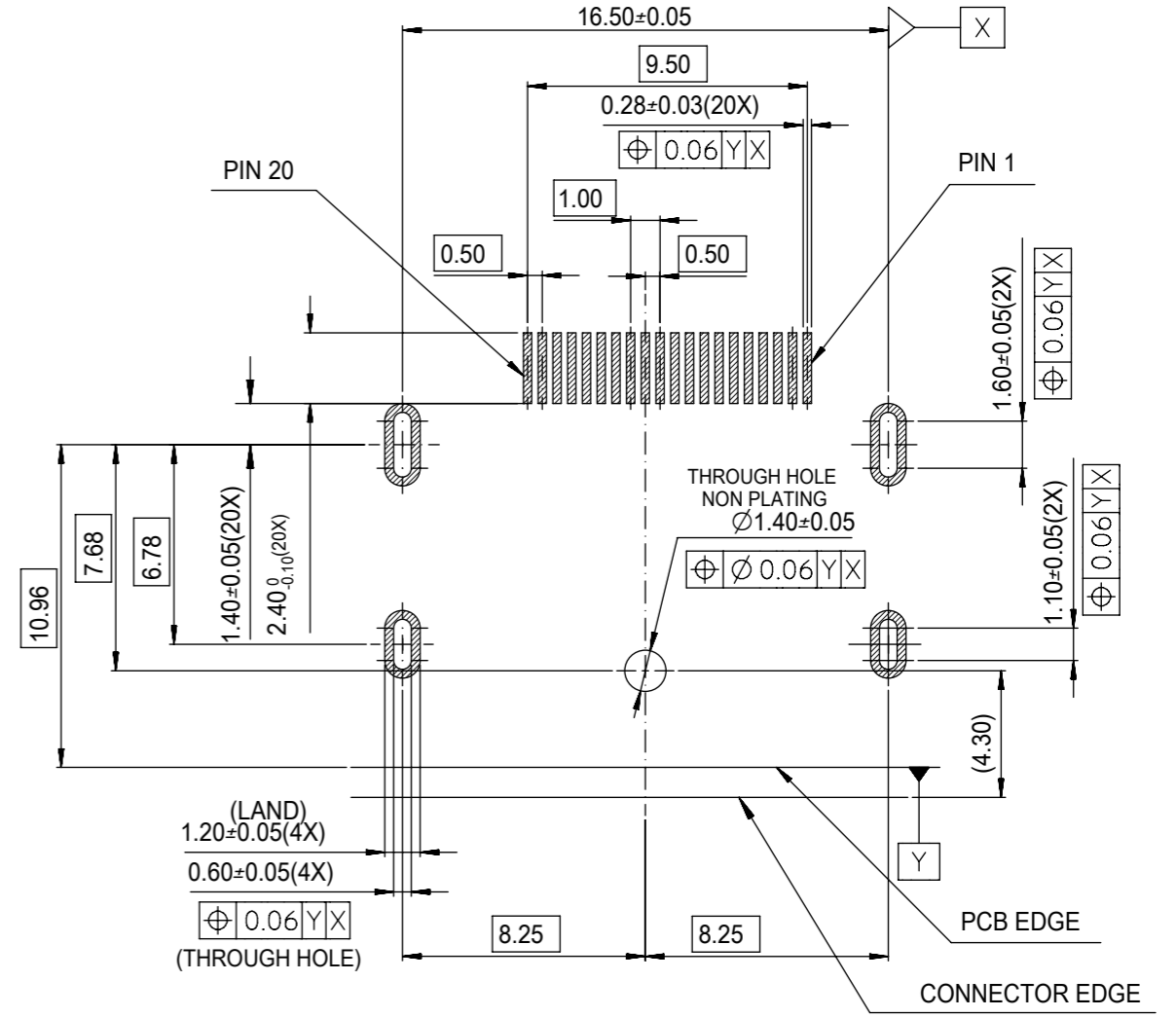
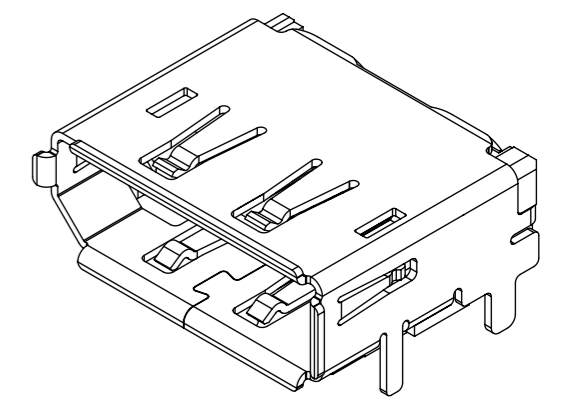
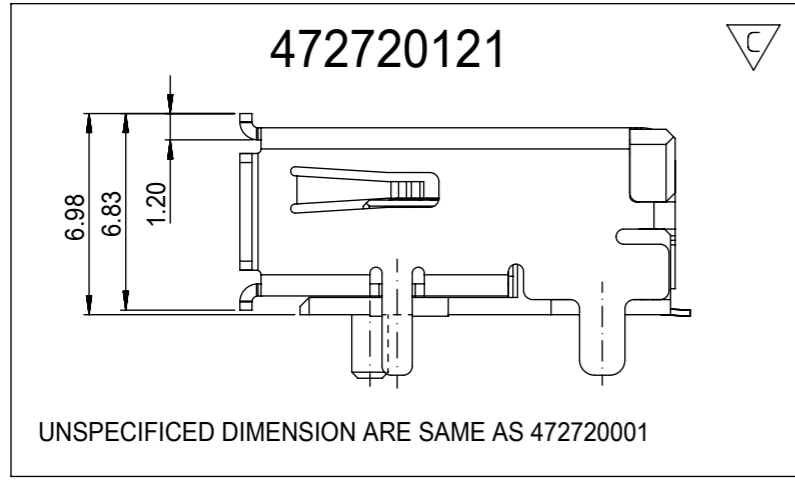


- NOTES:
- MATERIAL:  
HOUSING: LIQUID CRYSTAL POLYMER, BLACK, 30% GLASS FILLED, UL94V-0.  
TERMINAL: BRASS.  
SHELL: STAINLESS STEEL.
  - PLATING:  
TERMINAL:  
CONTACT AREA: 0.76 MICROMETER (30 μ") GOLD PLATING  
AND SOLDER TAIL: 1~3 MICROMETER(39~118μ") MATT TIN UNDER PLATE  
UNDER PLATE: 2~4 MICROMETER(79~158μ") NICKEL PLATING OVERALL.  
SHELL: 1.27~2.54 MICROETER(50~100μ") SOLDERABLE NICKEL PLATING OVERALL.
  - SOLDERTAIL COPLANARITY 0.10 MAX.
  - PRODUCT SPEC REFER TO PS-47272-001
  - PACKAGE REFER TO PK-47272-001



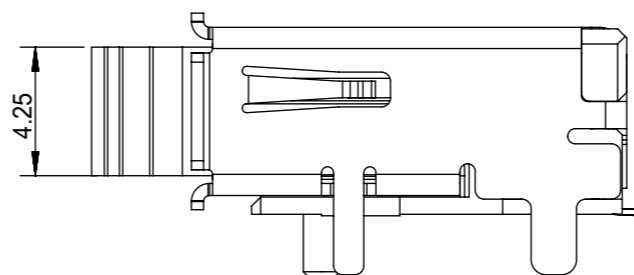
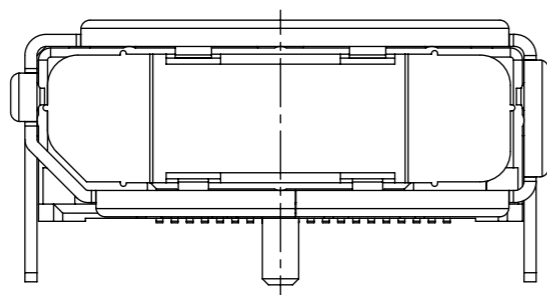
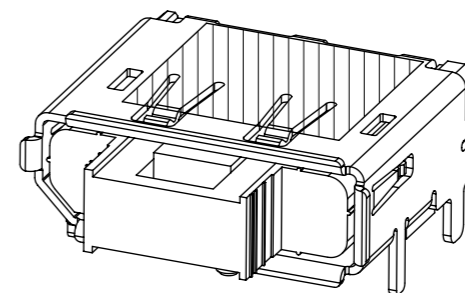
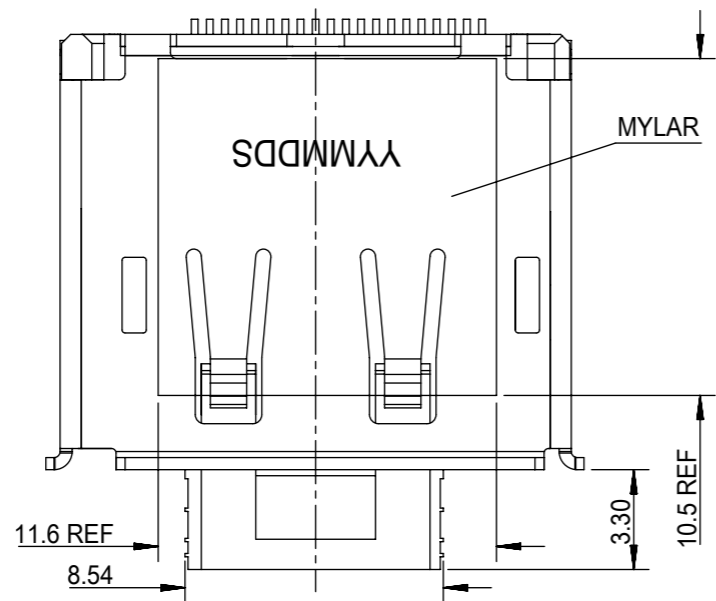
RECOMMENDED PCB LAYOUT(THICKNESS=1.6±0.15)



| PART NO.  | COVER   | MYLAR   | REMARK  |
|-----------|---------|---------|---------|
| 472720001 | WITHOUT | WITHOUT | SHEET 1 |
| 472720024 | WITH    | WITH    | SHEET 2 |
| 472720029 | WITHOUT | WITH    | SHEET 3 |

| SYMBOLS | THIS DRAWING CONTAINS INFORMATION THAT IS PROPRIETARY TO MOLEX ELECTRONIC TECHNOLOGIES, LLC AND SHOULD NOT BE USED WITHOUT WRITTEN PERMISSION |       | CURRENT REV DESC: |  |  | <b>molex</b>                                 |  |  |
|---------|---|-------|-------------------|--|--|--|--|--|
|         | DIMENSION UNITS   | SCALE |                   |  |  | 1.0MM PITCH DISPLAY PORT RECEPTACLE ASSEMBLY |  |  |
| ▽ = 0   | mm  | 0.9:1 |                   |  |  |  |  |  |
| ▽ = 0   | GENERAL TOLERANCES (UNLESS SPECIFIED)   |       |                   |  |  |  |  |  |
| ▽ = 0   | ANGULAR TOL ± 3.0°  |       |                   |  |  |  |  |  |
| ▽ = 0   | 4 PLACES ±  |       | EC NO: 618483     |  |  |  |  |  |
| ▽ = 0   | 3 PLACES ±  |       | DRWN: RZHANG      |  |  | 2019/09/23                                   |  |  |
| ▽ = 0   | 2 PLACES ± 0.25   |       | CHK'D: AYIN       |  |  | 2019/10/11                                   |  |  |
| ▽ = 0   | 1 PLACE ± 0.25  |       | APPR: AYIN        |  |  | 2019/10/11                                   |  |  |
| ▽ = 0   | 0 PLACES ±  |       | INITIAL REVISION: |  |  |  |  |  |
| ▽ = 0   | DRAFT WHERE APPLICABLE MUST REMAIN WITHIN DIMENSIONS  |       | DRWN: RZHANG      |  |  | 2006/04/06                                   |  |  |
| ▽ = 0   | THIRD ANGLE PROJECTION  |       | APPR: JNCHEN      |  |  | 2007/03/23                                   |  |  |
| ▽ = 0   | DRAWING   |       | SERIES            |  |  | DOCUMENT NUMBER                              |  |  |
|         |   |       | A3-SIZE           |  |  | SD-47272-001                                 |  |  |
|         |   |       | 47272             |  |  | DOC TYPE                                     |  |  |
|         |   |       |                   |  |  | PSD  |  |  |
|         |   |       |                   |  |  | DOC PART                                     |  |  |
|         |   |       |                   |  |  | 001  |  |  |
|         |   |       |                   |  |  | REVISION                                     |  |  |
|         |   |       |                   |  |  | D  |  |  |
|         |   |       |                   |  |  | SHEET NUMBER                                 |  |  |
|         |   |       |                   |  |  | 1 OF 3                                       |  |  |
|         |   |       |                   |  |  | CUSTOMER                                     |  |  |
|         |   |       |                   |  |  | GENERAL MARKET                               |  |  |

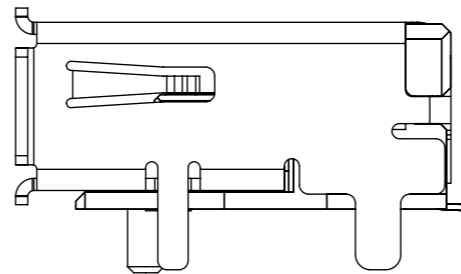
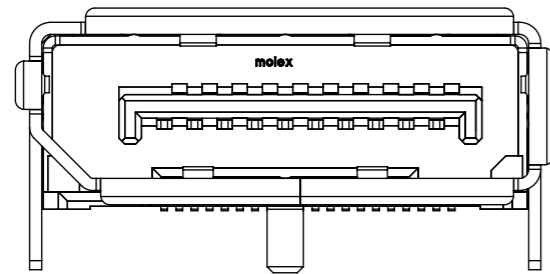
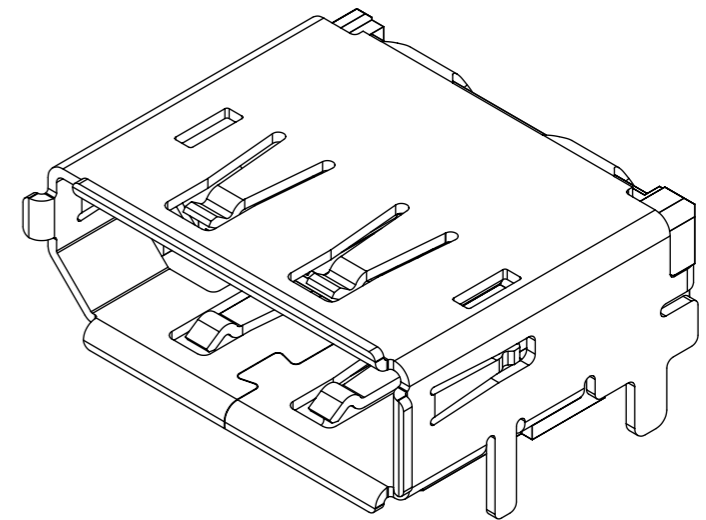
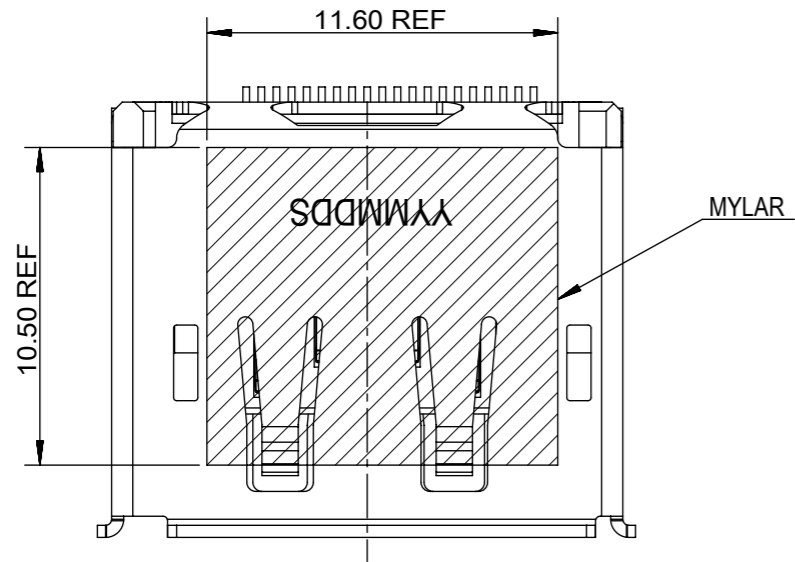
# WITH COVER AND MYLAR



- NOTES:
- 1.UNSPECIFIED DIMENSION ARE SAME AS SHEET1
  - 2.CONNECTOR WITH COVER IS USED FOR WARE SOLDERING PEG

|   |  |                 |  |       |  |  |  |              |  |                 |
|---|--|-----------------|--|-------|--|--|--|--------------|--|-----------------|
| THIS DRAWING CONTAINS INFORMATION THAT IS PROPRIETARY TO MOLEX ELECTRONIC TECHNOLOGIES, LLC AND SHOULD NOT BE USED WITHOUT WRITTEN PERMISSION |  |                 |  |       |  |  |  |              |  |                 |
| SYMBOLS   |  | DIMENSION UNITS |  | SCALE |  | CURRENT REV DESC:                            |  |              |  |                 |
| ▽ = 0   | mm   | 1:1             |  |       |  | EC NO: 618483                                |  |              |  |                 |
| ▽ = 0   | GENERAL TOLERANCES (UNLESS SPECIFIED)                |                 |  |       |  | DRWN: RZHANG 2019/09/23                      |  |              |  |                 |
| ▽ = 0   | ANGULAR TOL ± 3.0°                                   |                 |  |       |  | CHK'D: AYIN 2019/10/11                       |  |              |  |                 |
| ▽ = 0   | 4 PLACES ±   |                 |  |       |  | APPR: AYIN 2019/10/11                        |  |              |  |                 |
| ▽ = 0   | 3 PLACES ±   |                 |  |       |  | INITIAL REVISION:                            |  |              |  |                 |
| ▽ = 0   | 2 PLACES ± 0.25                                      |                 |  |       |  | DRWN: RZHANG 2006/04/06                      |  |              |  |                 |
| ▽ = 0   | 1 PLACE ± 0.25                                       |                 |  |       |  | APPR: JNCHEN 2007/03/23                      |  |              |  |                 |
| ▽ = 0   | 0 PLACES ±   |                 |  |       |  | DOCUMENT NUMBER                              |  |              |  |                 |
| □ = 0   | DRAFT WHERE APPLICABLE MUST REMAIN WITHIN DIMENSIONS |                 |  |       |  | THIRD ANGLE PROJECTION                       |  | DRAWING      |  | SERIES          |
| ▽ = 0   |  |                 |  |       |  | A3-SIZE                                      |  | 47272        |  | MATERIAL NUMBER |
|   |  |                 |  |       |  | CUSTOMER                                     |  | SHEET NUMBER |  |                 |
|   |  |                 |  |       |  | GENERAL MARKET                               |  | 2 OF 3       |  |                 |
|   |  |                 |  |       |  | SD-47272-001                                 |  | PSD 001 D    |  |                 |
|   |  |                 |  |       |  | PRODUCT CUSTOMER DRAWING                     |  |              |  |                 |
|   |  |                 |  |       |  | 1.0MM PITCH DISPLAY PORT RECEPTACLE ASSEMBLY |  |              |  |                 |
|   |  |                 |  |       |  | molex  |  |              |  |                 |
|   |  |                 |  |       |  | EC NO: 618483                                |  |              |  |                 |
|   |  |                 |  |       |  | DRWN: RZHANG 2019/09/23                      |  |              |  |                 |
|   |  |                 |  |       |  | CHK'D: AYIN 2019/10/11                       |  |              |  |                 |
|   |  |                 |  |       |  | APPR: AYIN 2019/10/11                        |  |              |  |                 |

# STANDARD TYPE WITH MYLAR



### NOTES:

1. UNSPECIFIC DIMENSION ARE SAME AS SHEET1
2. THE RECOMMENDER PCB ARE SAME AS SHEET1

|         |   |        |                        |            |                          |              |                |          |
|---------|---|--------|------------------------|------------|--------------------------|--------------|----------------|----------|
| SYMBOLS | THIS DRAWING CONTAINS INFORMATION THAT IS PROPRIETARY TO MOLEX ELECTRONIC TECHNOLOGIES, LLC AND SHOULD NOT BE USED WITHOUT WRITTEN PERMISSION |        | CURRENT REV DESC:      |            |                          | <b>molex</b> |                |          |
|         | DIMENSION UNITS   | SCALE  |                        |            |                          |              |                |          |
| ▽ = 0   | mm  | 1:1    | DRWN: RZHANG           | 2019/10/11 | PRODUCT CUSTOMER DRAWING |              |                |          |
| ▽ = 0   | GENERAL TOLERANCES (UNLESS SPECIFIED)   |        | CHK'D: AYIN            | 2019/10/11 |                          |              |                |          |
| ▽ = 0   | ANGULAR TOL ± 3.0°  |        | APPR: AYIN             | 2019/10/11 | DOCUMENT NUMBER          | DOC TYPE     | DOC PART       | REVISION |
| ▽ = 0   | 4 PLACES  | ±      | INITIAL REVISION:      |            | SD-47272-001             | PSD          | 001            | D        |
| ▽ = 0   | 3 PLACES  | ±      | DRWN: RZHANG           | 2006/04/06 | MATERIAL NUMBER          | CUSTOMER     | SHEET NUMBER   |          |
| ▽ = 0   | 2 PLACES  | ± 0.25 | APPR: JNCHEN           | 2007/03/23 |                          |              |                |          |
| ▽ = 0   | 1 PLACE   | ± 0.25 | THIRD ANGLE PROJECTION |            | A3-SIZE                  | 47272        | GENERAL MARKET |          |
| ▽ = 0   | 0 PLACES  | ±      | DRAWING                |            |                          |              |                |          |
| □ = 0   | DRAFT WHERE APPLICABLE MUST REMAIN WITHIN DIMENSIONS  |        | SERIES                 |            | 3 OF 3                   |              |                |          |

单击下面可查看定价，库存，交付和生命周期等信息

[>>MOLEX](#)