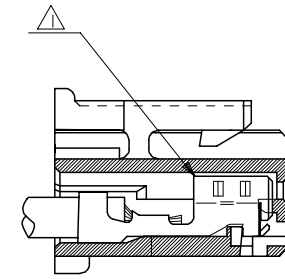


注記 NOTES

- △ 適合ターミナル：5035I-8\*00  
APPLICABLE TERMINAL：5035I-8\*00
- 2. 嵌合相手：53375,53426 シリーズ  
MATE WITH：53375,53426 SERIES
- △ 偶数極の製品に適用。  
APPLY EVEN CIRCUIT PRODUCTS.
- 4. 製品型番の下1桁は色を表す。  
LAST DIGIT OF PART NUMBER INDICATES COLOR.  
0：白 WHITE    1：黒 BLACK    2：赤 RED  
3：黄 YELLOW    4：青 BLUE



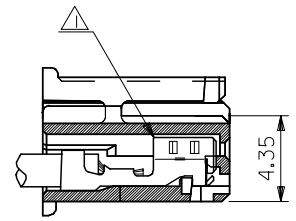
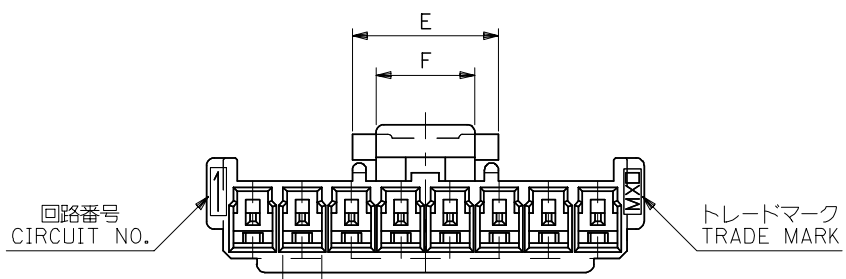
ターミナル装着状態図  
TERMINAL ASSEMBLY DRAWING

2極に適用  
FOR 2 CKTS.

51103-020*	2
MATERIAL NO.	CIRCUIT

RELEASED EC NO: J2005-2009 DRAWN: M.UMEDA 2005/02/02 CHKD: K.TOYODA 2005/02/04 APPR: N. UKITA 2005/02/14	GENERAL TOLERANCES (UNLESS SPECIFIED)		DIMENSION STYLE MM ONLY		SCALE ---	DESIGN UNITS METRIC	THIRD ANGLE PROJECTION	
	10 UNDER	±0.2	DRAWN BY M.UMEDA		DATE 2005/01/14	TITLE 2.5 W/B CONN. HOUSING (POSITIVE LOCK)		
	10 OVER 30 UNDER	±0.25	CHECKED BY K. TOYODA		DATE 2005/01/14	MOLEX INCORPORATED		
	30 OVER	±0.3	APPROVED BY N. UKITA		DATE 2005/01/14	DOCUMENT NO. SD-51103-021		
	ANGULAR ±3 °		MATERIAL NO.		SEE CHART	SHEET NO. 1 OF 2		
0	DRAFT WHERE APPLICABLE MUST REMAIN WITHIN DIMENSIONS		SIZE A3		THIS DRAWING CONTAINS INFORMATION THAT IS PROPRIETARY TO MOLEX INCORPORATED AND SHOULD NOT BE USED WITHOUT WRITTEN PERMISSION			

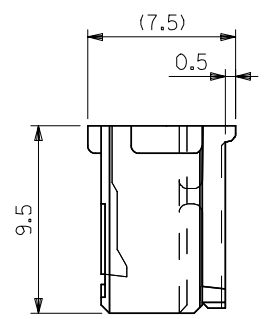
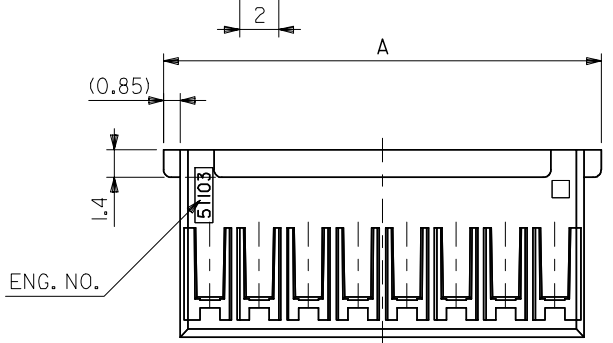
10 9 8 7 6 5 4 3 2 1



ターミナル装着状態図  
TERMINAL ASSEMBLY DRAWING

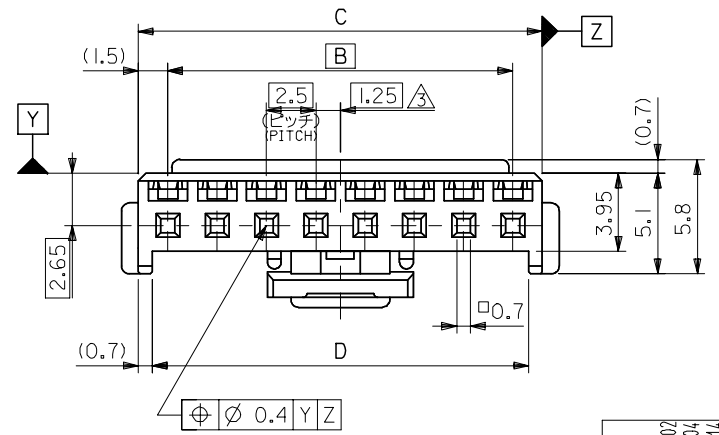
注記 NOTES

- △ 適合ターミナル：5035I-8\*00  
APPLICABLE TERMINAL：5035I-8\*00
- 2. 嵌合相手：53375,53426 シリーズ  
MATE WITH：53375,53426 SERIES
- △ 偶数極の製品に適用。  
APPLY EVEN CIRCUIT PRODUCTS.
- 4. 製品型番の下1桁は色を表す。  
LAST DIGIT OF PART NUMBER INDICATES COLOR.  
0：白 WHITE    1：黒 BLACK    2：赤 RED  
3：黄 YELLOW    4：青 BLUE



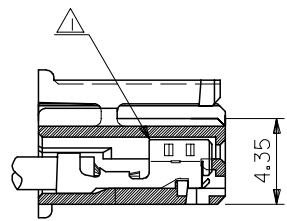
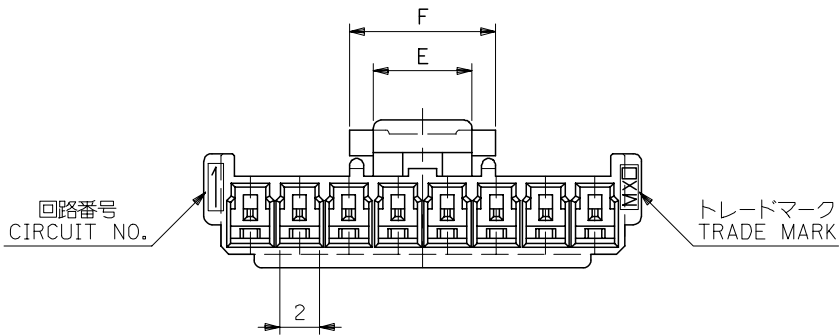
3-15 極に適用  
FOR 3-15 CKTS.

5	7.4	36.6	38	35	39.7	51103-150*	15
↑	↑	34.1	35.5	32.5	37.2	↑ -140*	14
		31.6	33	30	34.7	↑ -130*	13
		29.1	30.5	27.5	32.2	↑ -120*	12
		26.6	28	25	29.7	↑ -110*	11
		24.1	25.5	22.5	27.2	↑ -100*	10
		21.6	23	20	24.7	↑ -090*	9
		19.1	20.5	17.5	22.2	↑ -080*	8
		16.6	18	15	19.7	↑ -070*	7
		14.1	15.5	12.5	17.2	↑ -060*	6
		11.6	13	10	14.7	↑ -050*	5
5	7.4	9.1	10.5	7.5	12.2	↓ -040*	4
3	5	6.6	8	5	9.7	↓ 51103-030*	3
F	E	D	C	B	A	MATERIAL NO.	CIRCUIT



RELEASED EC NO: J2005-2009 DRAWN: MUMEDA 2005/02/07 CHK'D: KTOYODA 2005/02/04 APPR: NUKITA 2005/02/14	GENERAL TOLERANCES (UNLESS SPECIFIED)		DIMENSION STYLE MM ONLY		SCALE ---	DESIGN UNITS METRIC	THIRD ANGLE PROJECTION
	10 UNDER	±0.2	DRAWN BY M.UMEDA		DATE 2005/01/14		TITLE 2.5 W/B CONN. HOUSING (POSITIVE LOCK)
	10 OVER 30 UNDER	±0.25	CHECKED BY KTOYODA		DATE 2005/01/14		
	30 OVER	±0.3	APPROVED BY N. UKITA		DATE 2005/01/14		MOLEX INCORPORATED
	ANGULAR	±3 °	MATERIAL NO.		DOCUMENT NO.		
DRAFT WHERE APPLICABLE MUST REMAIN WITHIN DIMENSIONS			SEE CHART		SD-51103-021		SHEET NO. 2 OF 2

10 9 8 7 6 5 4 3 2 1

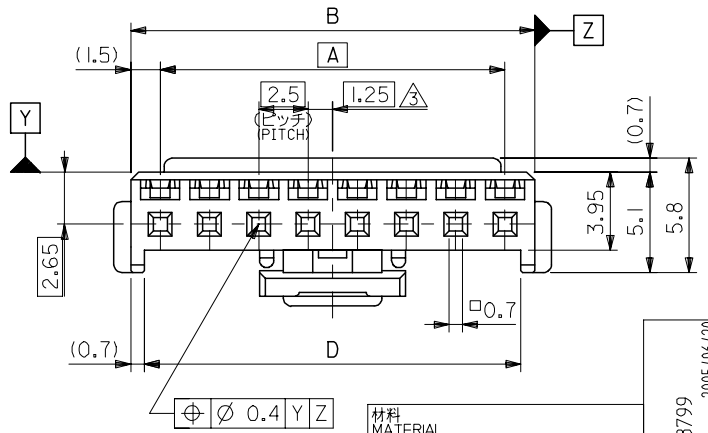
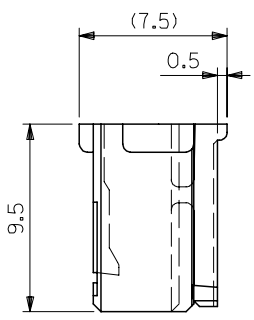
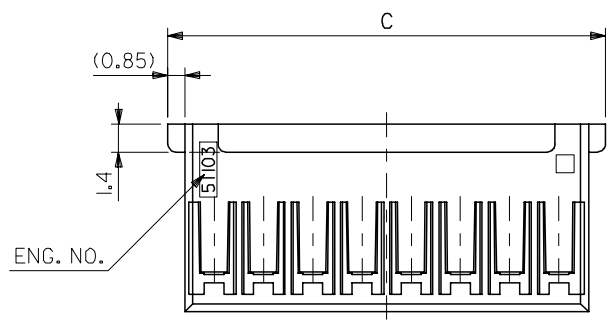


ターミナル装着状態図  
TERMINAL ASSEMBLY DRAWING

注記 NOTES

- △1 適合ターミナル：50351-8\*00  
APPLICABLE TERMINAL：50351-8\*00
- 2. 嵌合相手：53375,53376,53388,53389  
53426 シリーズ  
MATE WITH：53375,53376,53388,53389  
53426 SERIES
- △3 偶数極の製品に適用。  
APPLY EVEN CIRCUIT PRODUCTS.

3-15 極に適用  
FOR 3-15 CKTS.



7.4	5	36.6	39.7	38	35	51103-1500	15
▲	▲	34.1	37.2	35.5	32.5	▲ -1400	14
		31.6	34.7	33	30	▲ -1300	13
		29.1	32.2	30.5	27.5	▲ -1200	12
		26.6	29.7	28	25	▲ -1100	11
		24.1	27.2	25.5	22.5	▲ -1000	10
		21.6	24.7	23	20	▲ -0900	9
		19.1	22.2	20.5	17.5	▲ -0800	8
		16.6	19.7	18	15	▲ -0700	7
		14.1	17.2	15.5	12.5	▲ -0600	6
		11.6	14.7	13	10	▲ -0500	5
▼	▼	9.1	12.2	10.5	7.5	▼ -0400	4
5	3	6.6	9.7	8	5	51103-0300	3
F	E	D	C	B	A	MATERIAL NO.	極数 NO. OF CKT.

材料 MATERIAL	PBTP, UL94V-0 (白色 WHITE)
仕上げ FINISH	-#-
適用電線範囲 WIRE RANGE	-#-
被覆外径 INS. RANGE	-#-

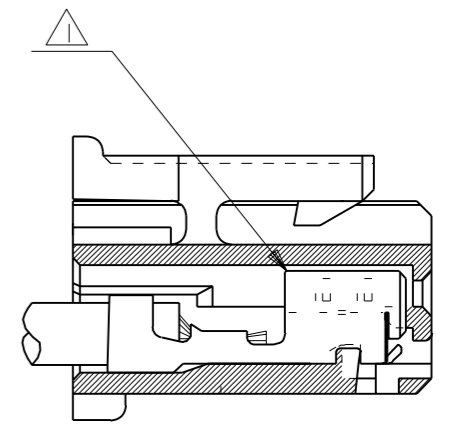
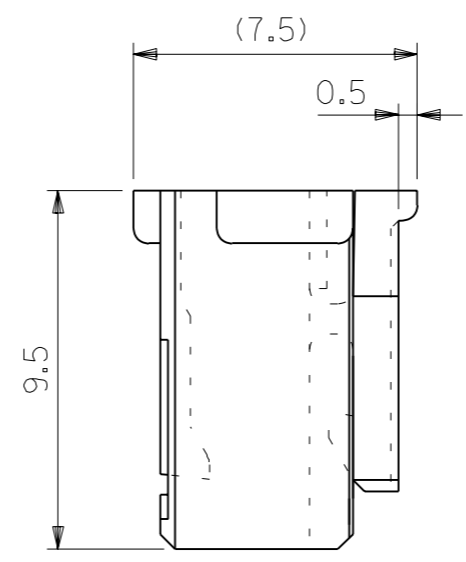
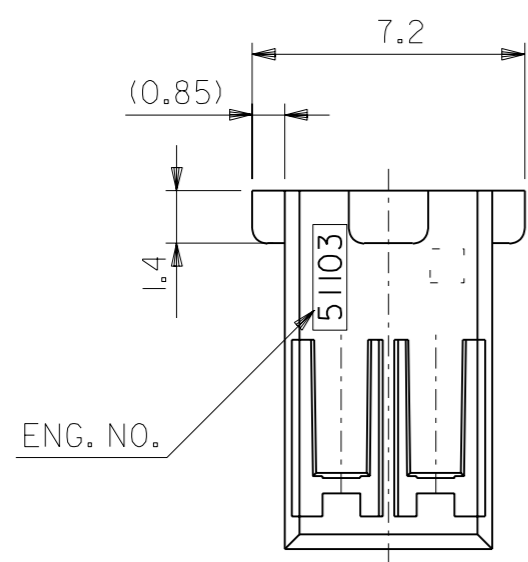
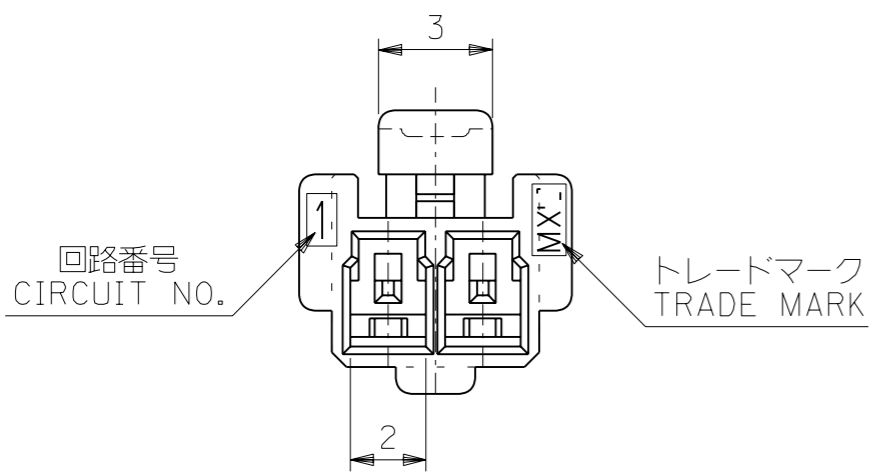
REVISED	EC NO: J2005-3799
DRWN: NABEI	2005/06/20
CHKD: KTOYODA	2005/06/21
APPR: NUKITA	2005/06/27

GENERAL TOLERANCES (UNLESS SPECIFIED)	
10 UNDER	±0.2
10 OVER 30 UNDER	±0.25
30 OVER	±0.3
ANGULAR	±3 °
DRAFT WHERE APPLICABLE MUST REMAIN WITHIN DIMENSIONS	

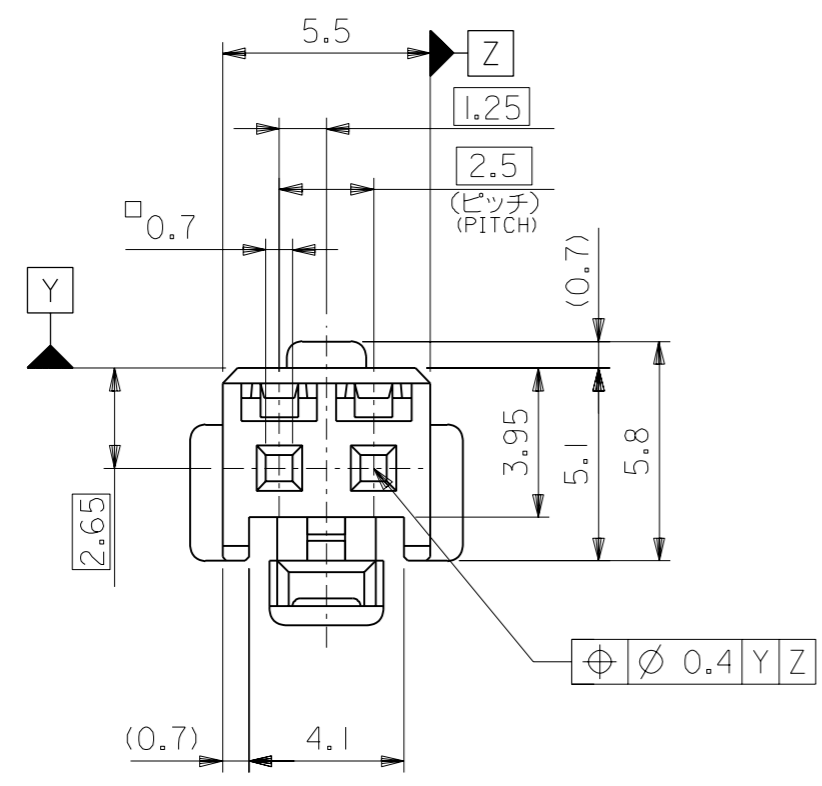
DIMENSION STYLE MM ONLY	
DRAWN BY	T. ITO
DATE	'92/05/06
CHECKED BY	H. HIRAMOTO
DATE	'95/10/03
APPROVED BY	M. FUKUSHIMA
DATE	'95/10/03
MATERIAL NO. SEE CHART	
SIZE	A3

SCALE	4:1
DESIGN UNITS	METRIC
THIRD ANGLE PROJECTION	
TITLE 2.5 WIRE TO BOARD CONN HOUSING (POSITIVE LOCK)	
MOLEX MOLEX INCORPORATED	
DOCUMENT NO.	SD-51103-023
SHEET NO.	1 OF 2
THIS DRAWING CONTAINS INFORMATION THAT IS PROPRIETARY TO MOLEX INCORPORATED AND SHOULD NOT BE USED WITHOUT WRITTEN PERMISSION	

DWG. NO.  
SD-51103-\*\*-00



ターミナル装着状態図  
TERMINAL ASSEMBLY DRAWING



注記 NOTES

- △ 適合ターミナル：50351-8\*00  
APPLICABLE TERMINAL : 50351-8\*00
- 2. 嵌合相手：53375,53426 シリーズ  
MATE WITH : 53375,53426 SERIES

2極に適用  
FOR 2 CKTS.

51103-0200	2
ENG. NO.	極数 NO. OF CKT.

材料 MATERIAL PBTP, UL94V-0 (白色 WHITE)		molex MOLEX-JAPAN CO.,LTD. 日本モレックス株式会社	
仕上げ FINISH —#—		REVISE ONLY ON CAD SYSTEM	
適用電線範囲 WIRE RANGE —#—		TITLE 名称	
被覆外径 INS. RANGE —#—		2.5 WIRE TO BOARD CONN. HOUSING (POSITIVE LOCK)	
DRAWN BY '95/10/03 S.MATSUZAKI	CHK'D BY '95/10/03 Y.M H.HIRAMOTO	DWG. NO. (SHEET 2 OF 2)	REV
APP'D BY '95/10/03 M.FUKUSHIMA	尺度 SCALE 5 : 1	SD-51103-**-00	D
角度 ANGLE ±3°	記号 LTR	変更内容 REVISION RECORD	日付 DATE
30 以上 OVER ±0.3	D	変更 (JC60214)	'95/10/03
10 以上 30 未満 OVER UNDER ±0.25			
10 未満 UNDER ±0.2			
一般公差 GENERAL TOLERANCES			

DIMENSIONS IN METRIC DO NOT SCALE DRAWING

单击下面可查看定价，库存，交付和生命周期等信息

[>>MOLEX](#)