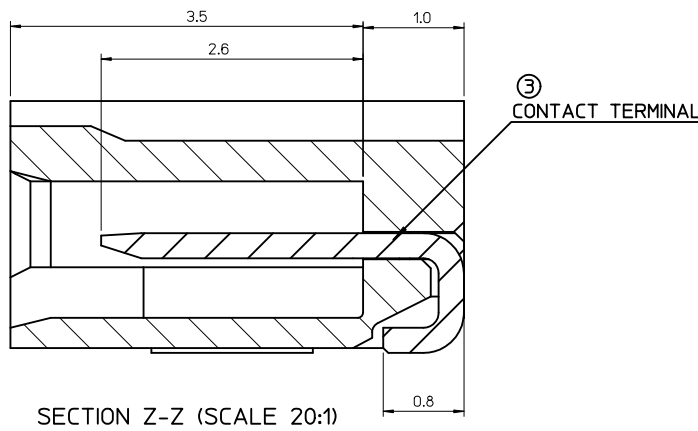
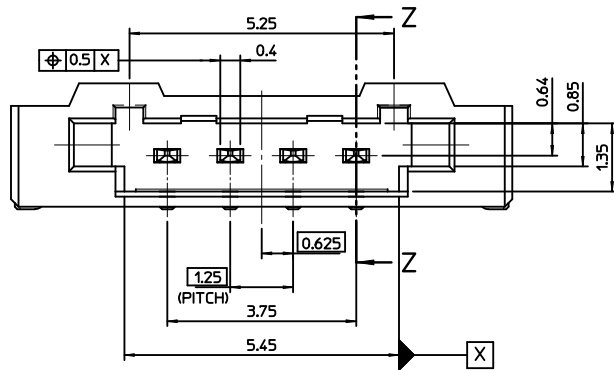
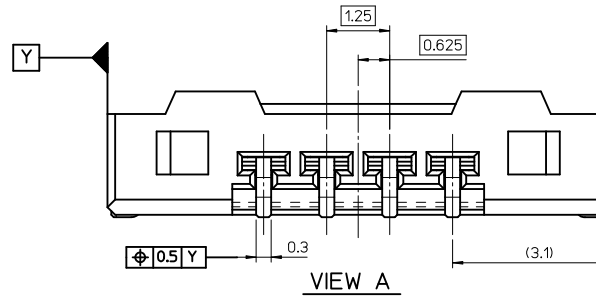
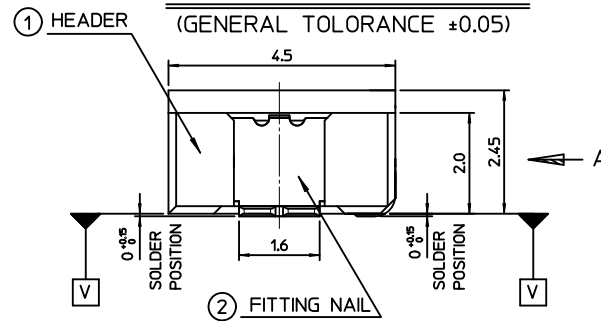


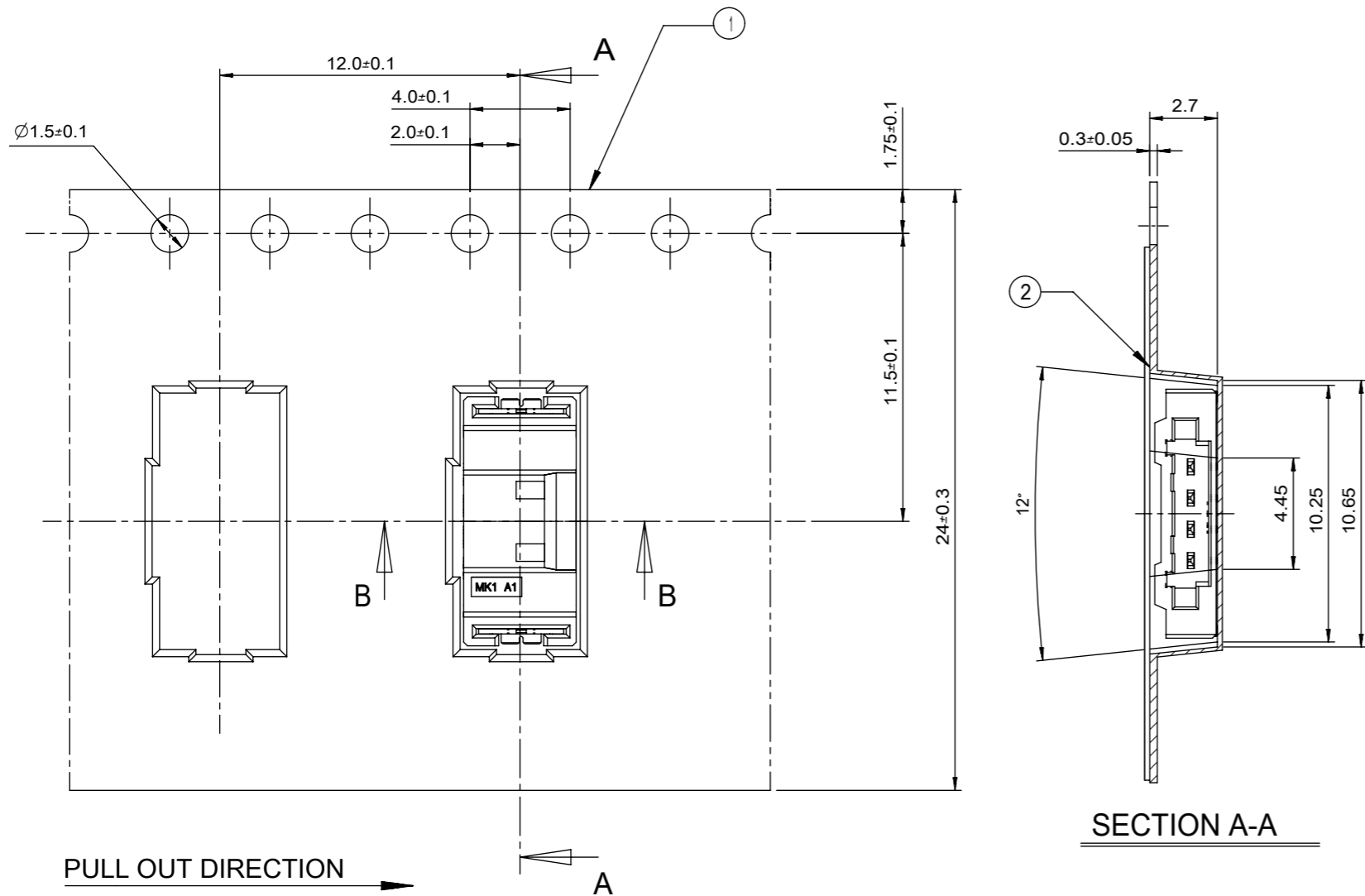
RECOMMEND PATTERN (REF.)
(GENERAL TOLERANCE ±0.05)



NOTE

- MATED WITH : 104085-0400, 104085-0410, 101085-0420
- MATERIALS
 - ① - HEADER : LCP(E130I), GLASS FILLED, UL94V-0, HALOGEN FREE, COLOR OF NATURAL
 - ② - FITTING NAIL : PHOSPHOR BRONZE, 0.2mm THICKNESS
 - ③ - CONTACT TERMINAL : POSPHOR BRONZE, 0.25mm THICKNESS
- FINISHES
 - ② - FITTING NAIL : PURE-TIN PLATING ON OVERALL.
THICKNESS 3.0µm-5.0µm
UNDER PLATING Ni OVERALL.
THICKNESS 1.25µm-3.75µm
 - ③ - CONTACT TERMINAL : PURE-TIN PLATING ON OVERALL.
THICKNESS 3.0µm-5.0µm
UNDER PLATING Ni OVERALL.
THICKNESS 1.25µm-3.75µm
- COPLANALITY OF SOLDER TAILS (PEAK TEMP. : 260°C), BEFORE & AFTER REFLOW : 0.08MAX

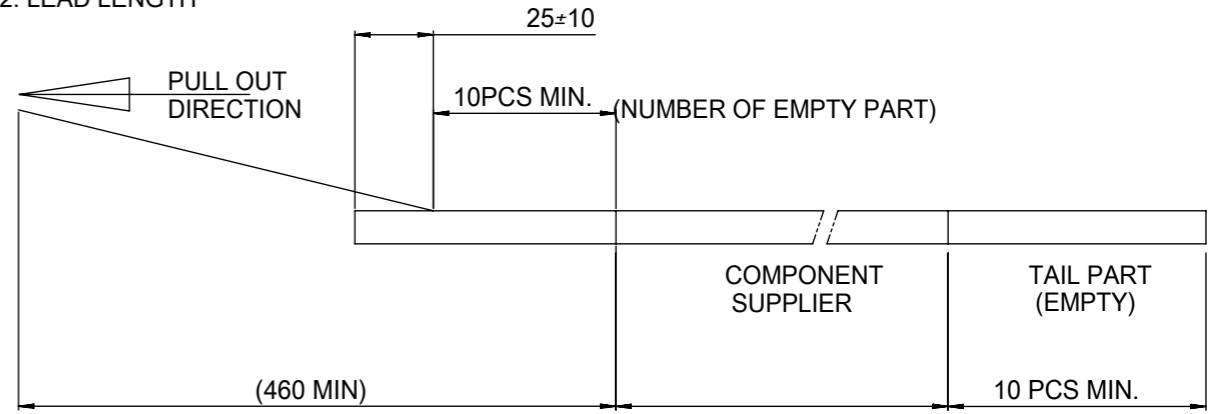
NEW RELEASED EC NO: KOR2011-0057 DRWN:CBCHN 2010/12/02 CHKD:SH-CHU 2010/12/02 APPR:YUNSIKKIM 2010/12/02 DESCRIPTION	QUALITY SYMBOLS	GENERAL TOLERANCES (UNLESS SPECIFIED)	DIMENSION STYLE	SCALE	ORDER NUMBER	104086-0410																		
	$\nabla=0$ $\sphericalangle=0$	<table border="1"> <tr> <td></td> <td>mm</td> <td>INCH</td> </tr> <tr> <td>4 PLACES</td> <td>± ---</td> <td>± ---</td> </tr> <tr> <td>3 PLACES</td> <td>± ---</td> <td>± ---</td> </tr> <tr> <td>2 PLACES</td> <td>± 0.20</td> <td>± ---</td> </tr> <tr> <td>1 PLACE</td> <td>± 0.25</td> <td>± ---</td> </tr> <tr> <td colspan="3">ANGULAR ± ---°</td> </tr> </table>		mm	INCH	4 PLACES	± ---	± ---	3 PLACES	± ---	± ---	2 PLACES	± 0.20	± ---	1 PLACE	± 0.25	± ---	ANGULAR ± ---°			MM ONLY	10:1	DESIGN UNITS	METRIC
		mm	INCH																					
	4 PLACES	± ---	± ---																					
3 PLACES	± ---	± ---																						
2 PLACES	± 0.20	± ---																						
1 PLACE	± 0.25	± ---																						
ANGULAR ± ---°																								
			DRAWN BY	DATE	THIRD ANGLE PROJECTION																			
			DATE	TITLE	1.25 W-T-B CONN. HEADER ASS'Y-4P																			
			CHECKED BY	DATE	MOLEX INCORPORATED																			
			DATE	DATE	SD-104086-001																			
			APPROVED BY	DATE	SHEET NO. 1 OF 01																			
			DATE	DATE	THIS DRAWING CONTAINS INFORMATION THAT IS PROPRIETARY TO MOLEX INCORPORATED AND SHOULD NOT BE USED WITHOUT WRITTEN PERMISSION																			
			MATERIAL NO.	DOCUMENT NO.																				
			1040860410	SD-104086-001																				
			SIZE A3																					



NOTES

1. QUANTITY OF CONNECTORS : 2,000 PCS/REEL

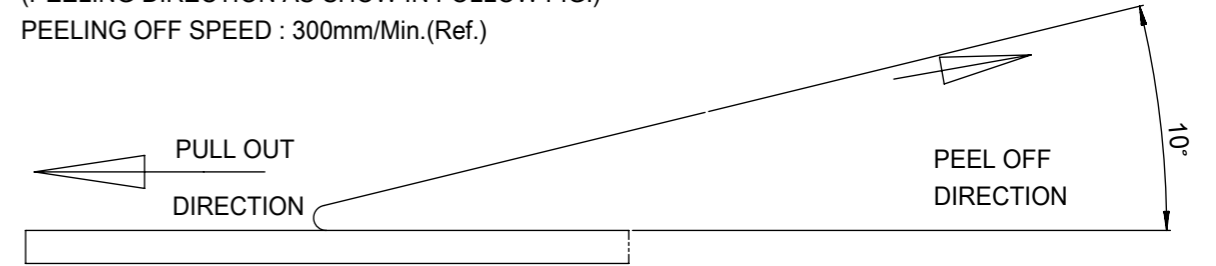
2. LEAD LENGTH



3. PEELING OFF FORCE OF COVER TAPE : 0.1N~0.59N(10.2GF~60GF)

(PEELING DIRECTION AS SHOW IN FOLLOW FIG.)

PEELING OFF SPEED : 300mm/Min.(Ref.)

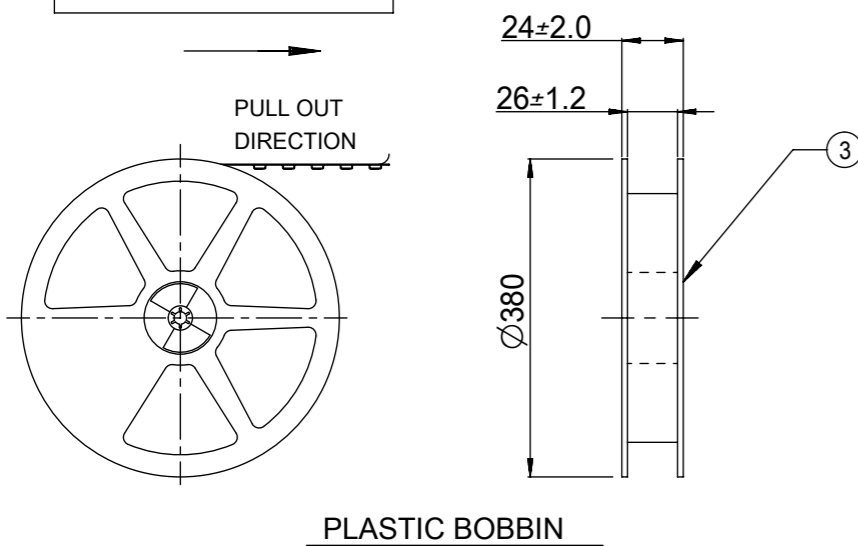
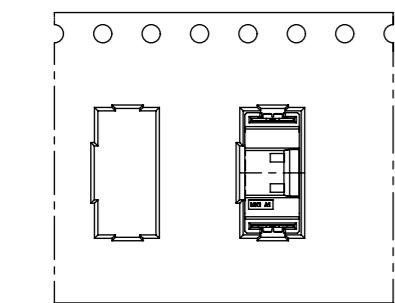
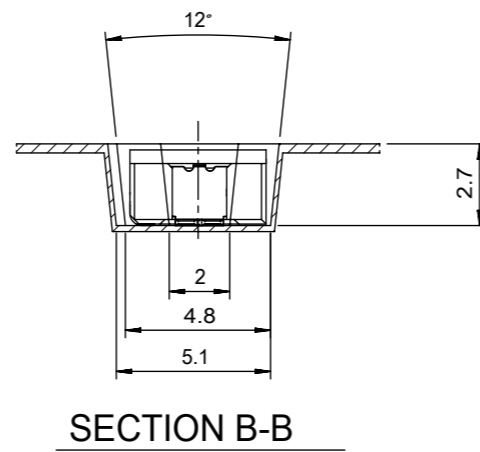


4. FLASH IN ANY PORTION SHOULD BE LESS THAN 0.20mm MAX.

5. UNLESS OTHERWISE SPECIFIED INNER R0.2 MAX

6. DRAFT ANGLE 3°MAX

NO.	DESCRIPTION	MATERIAL	REMARK
3	PLASTIC BOBBIN	HI P.S	WHITE
2	COVER TAPE	PET ANTISTATIC	21.3m
1	CARRIER (EMBOSSD) TAPE	PET ANTISTATIC	



SYMBOLS		THIS DRAWING CONTAINS INFORMATION THAT IS PROPRIETARY TO MOLEX ELECTRONIC TECHNOLOGIES, LLC AND SHOULD NOT BE USED WITHOUT WRITTEN PERMISSION	
DIMENSION UNITS	SCALE	CURRENT REV DESC:	
mm	4:1		
GENERAL TOLERANCES (UNLESS SPECIFIED)			
ANGULAR TOL	± 3.0°		
4 PLACES	±		
3 PLACES	±		
2 PLACES	± 0.25		
1 PLACE	± 0.25		
0 PLACES	±		
DRAFT WHERE APPLICABLE MUST REMAIN WITHIN DIMENSIONS			
THIRD ANGLE PROJECTION		DRAWING	SERIES
		A3-SIZE	104086
		MATERIAL NUMBER	CUSTOMER
		1040860410	GENERAL MARKET
		DOCUMENT NUMBER	DOC TYPE DOC PART REVISION
		SD-104086-002	PSD 001 B1
		SHEET NUMBER	
		1 OF 1	

单击下面可查看定价，库存，交付和生命周期等信息

[>>MOLEX](#)