

MATERIALS AND FINISHES

BODY ZINC ALLOY  
PLATED TIN

CENTER CONTACT PHOSPHOR BRONZE/BRASS  
PLATED GOLD

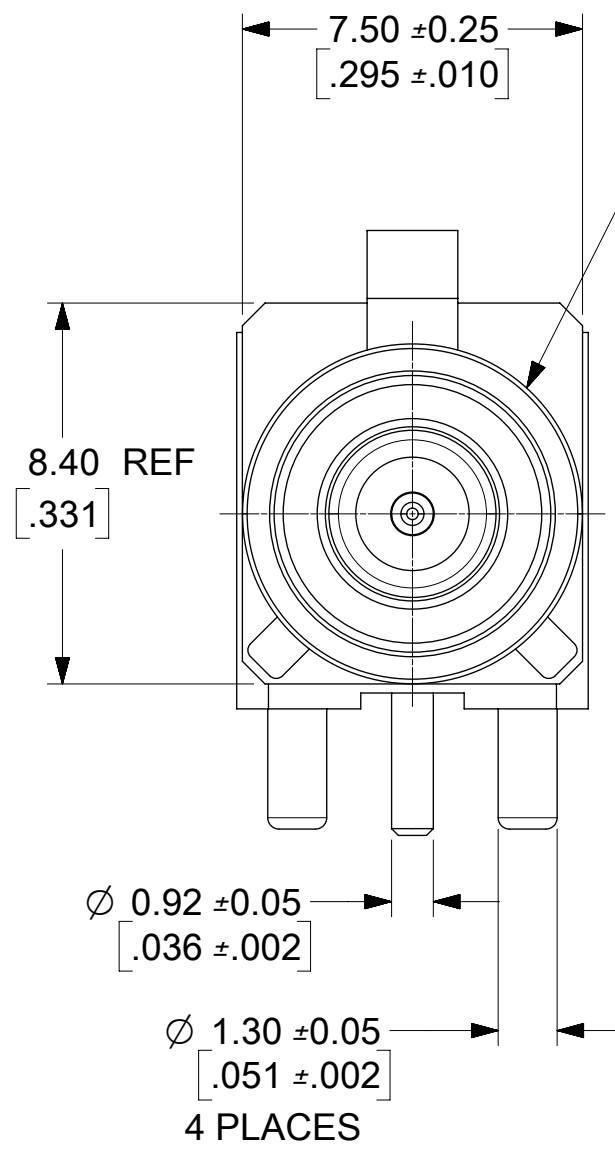
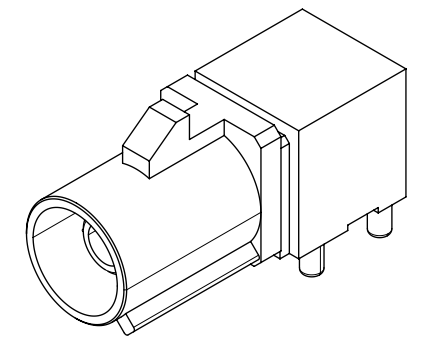
OUTER CASING HIGH TEMPERATURE PLASTIC  
KEYING SEE TABLE  
COLOR SEE TABLE

INSULATOR TEFLON

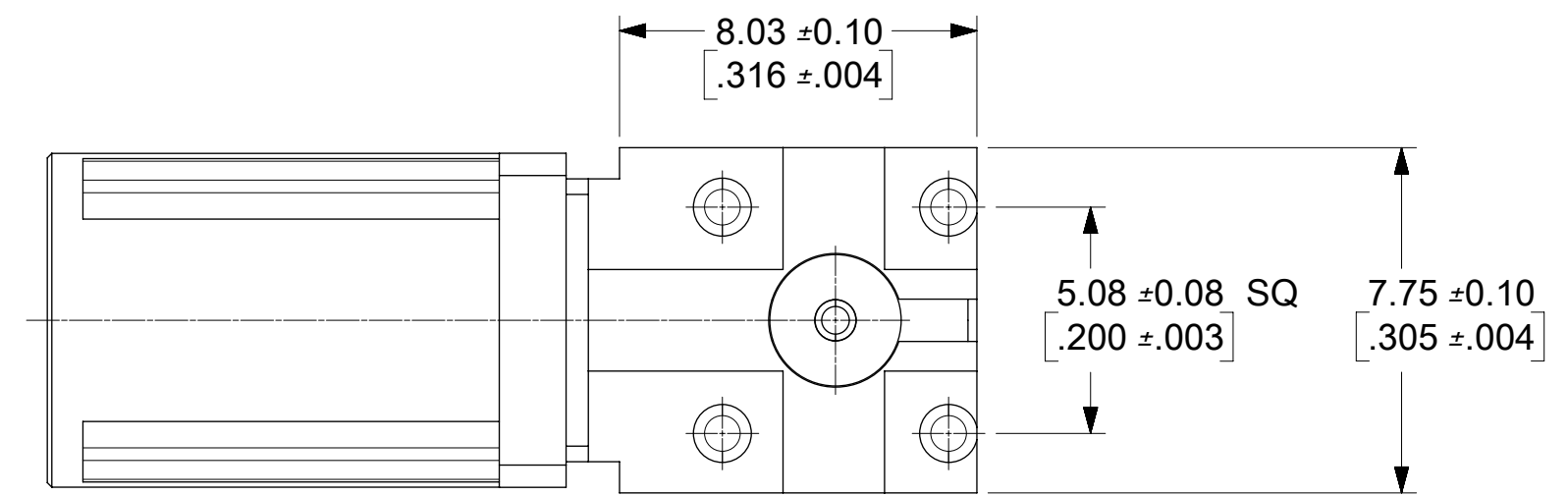
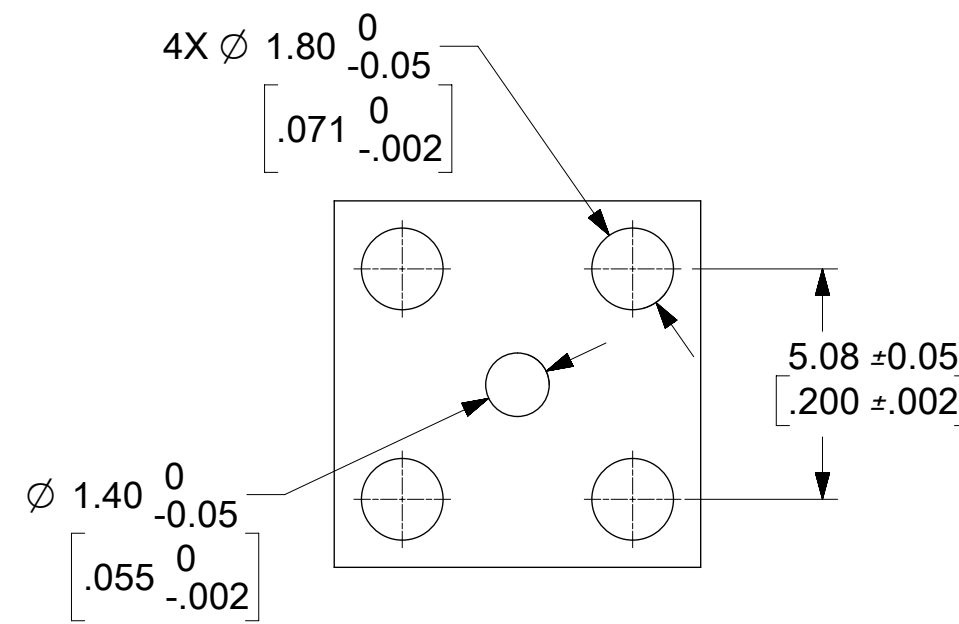
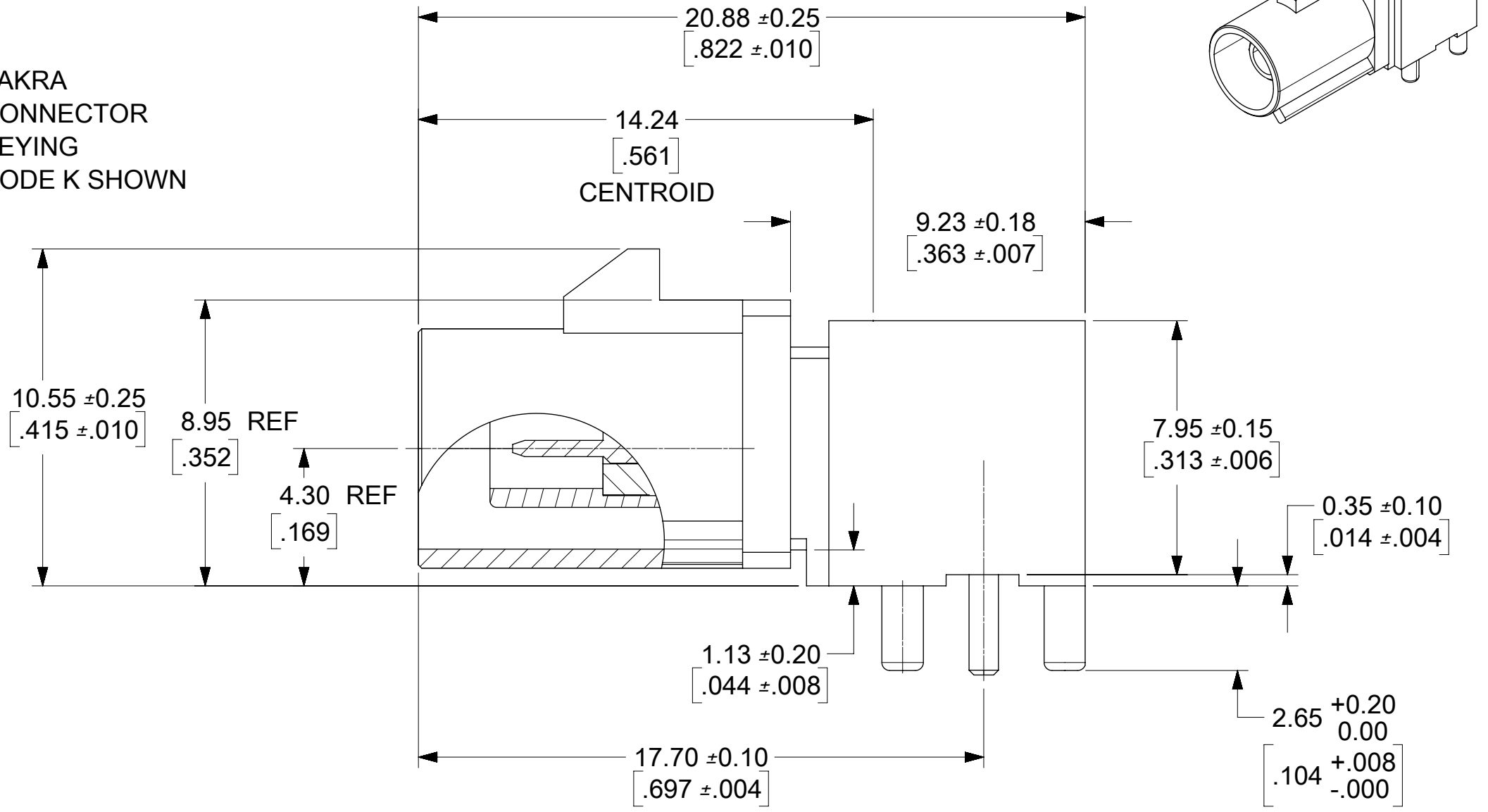
PACKAGING BY TRAY

RETENTION SPECIFICATION

THE FAKRA CONNECTOR SHROUD WILL WITHSTAND  
A LONGITUDINAL FORCE OF 110 N (24.75 LBS)



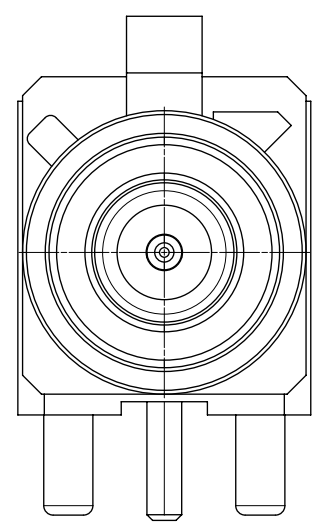
FAKRA  
CONNECTOR  
KEYING  
CODE K SHOWN



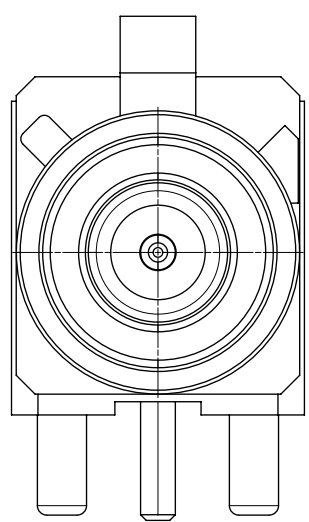
EST. WEIGHT (g): 4.495

PS-89675-3310	PRODUCT SPECIFICATION
MIL-STD-348A, FIG. 311.1	INTERFACE SPECIFICATION
SPECIFICATION	DESCRIPTION

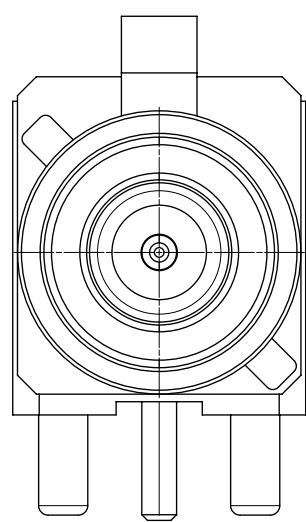
QUALITY SYMBOLS ▽ = 0 ▽ = 0 ▽ = 0 ▽ = 0 ▽ = 0 ▽ = 0 ▽ = 0 ▽ = 0 ▽ = 0	THIS DRAWING CONTAINS INFORMATION THAT IS PROPRIETARY TO MOLEX ELECTRONIC TECHNOLOGIES, LLC AND SHOULD NOT BE USED WITHOUT WRITTEN PERMISSION	GENERAL TOLERANCES (UNLESS SPECIFIED) ANGULAR TOL ± 2.0 ° 4 PLACES ± 3 PLACES ± 2 PLACES ± 1 PLACE ± 0 PLACES ±	DIMENSION UNITS MM/IN SCALE 1:5	DRWN BY ELIN DATE 2014/07/17	CHKD BY JOANNE DATE 2014/07/17	APPR BY YCHENG DATE 2014/11/25	PRODUCT CUSTOMER DRAWING		
							EC NO: 122197 DRWN: SCHANNARAYAN CHKD: ELIN REV APPR: YCHENG	MIGRATED TO ECTRINX 2017/09/08 2017/09/20 2017/09/21	DRAFT WHERE APPLICABLE MUST REMAIN WITHIN DIMENSIONS
RELEASE STATUS P1	RELEASE DATE 2	DOCUMENT NUMBER SD-73403-680			DOC TYPE PSD	DOC PART 001	SHEET NUMBER 1 OF 3		



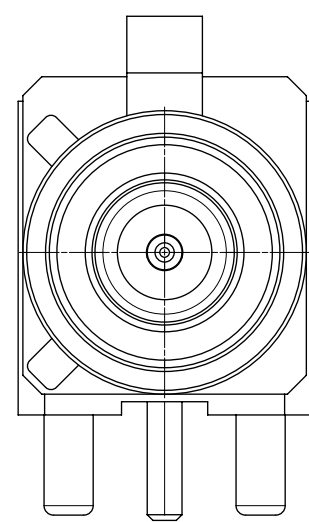
CODE-A



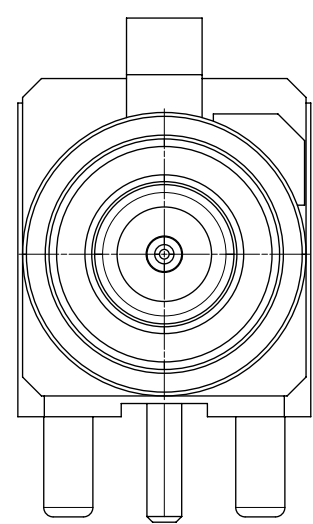
CODE-B



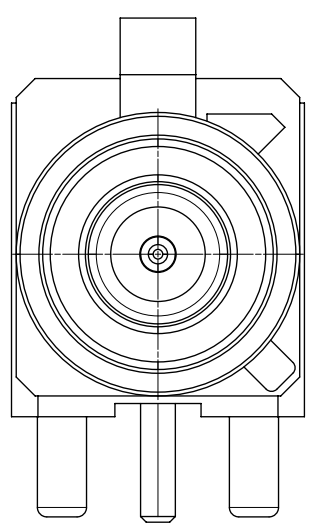
CODE-C



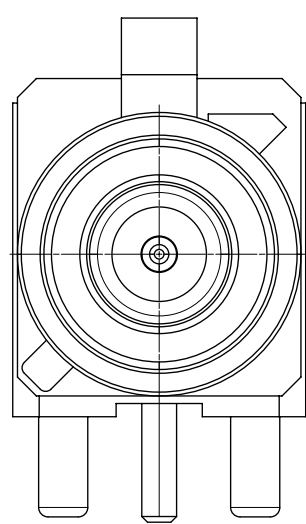
CODE-D



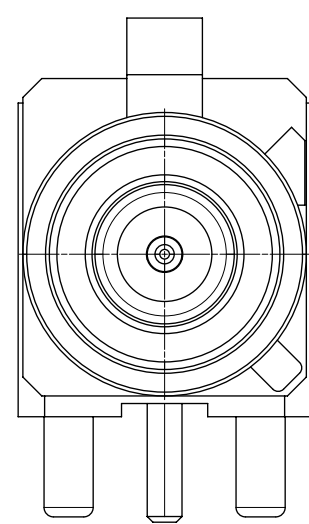
CODE-E



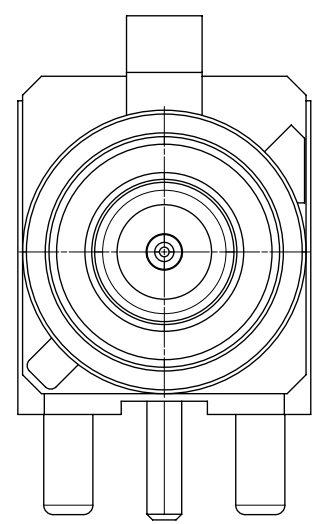
CODE-F



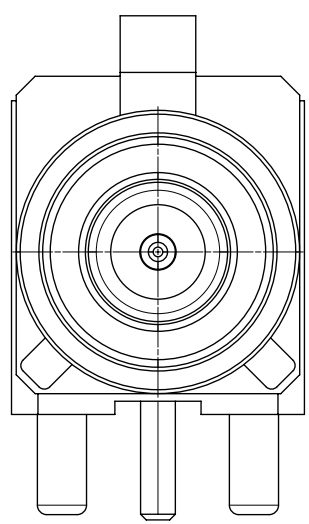
CODE-G



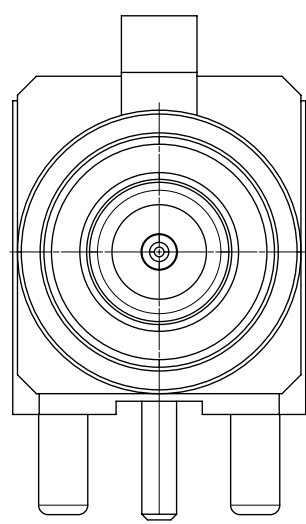
CODE-H



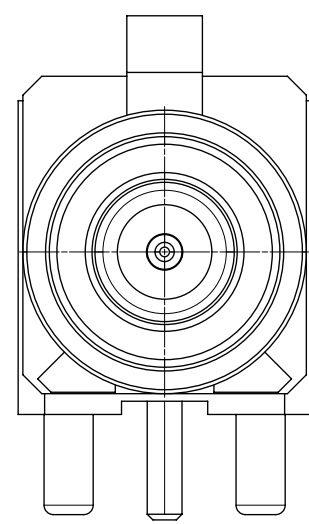
CODE-I



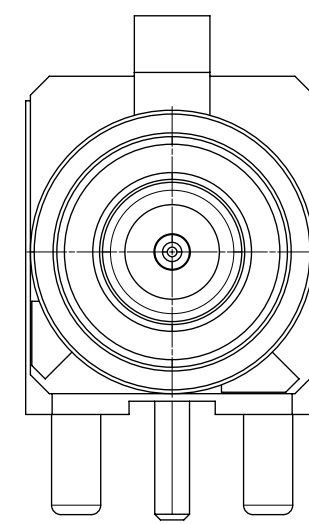
CODE-K



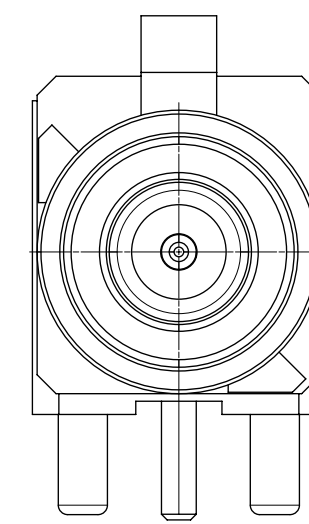
CODE-Z



CODE-L



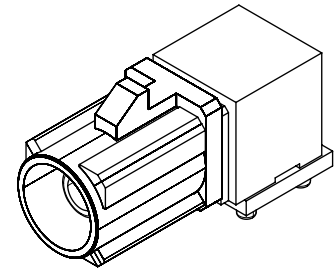
CODE-M



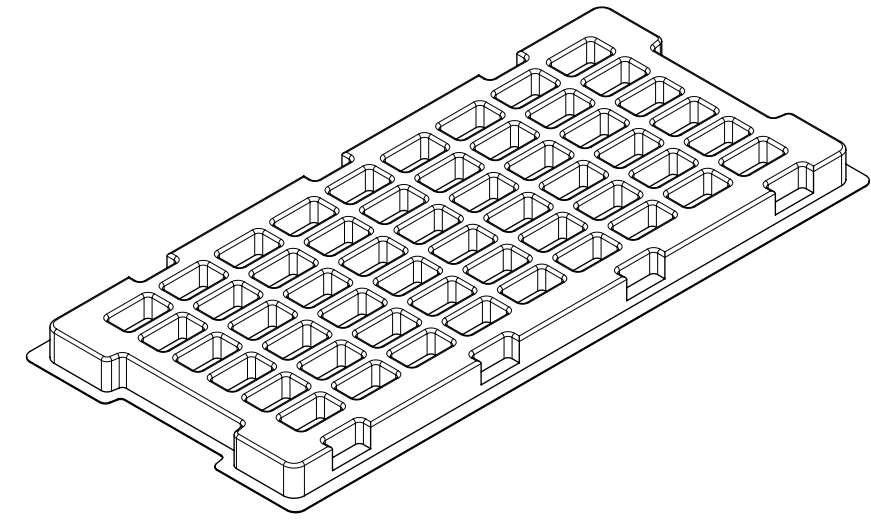
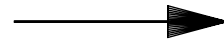
CODE-N

N	PASTEL GREEN	73403-6813
M	PASTEL ORANGE	73403-6812
L	CARMINE RED	73403-6811
Z	WATER BLUE	73403-6810
K	CURRY YELLOW	73403-6809
I	BEIGE	73403-6808
H	VIOLET	73403-6807
G	GRAY	73403-6806
F	BROWN	73403-6805
E	GREEN	73403-6804
D	BORDEAUXVIOLET	73403-6803
C	BLUE	73403-6802
B	NATURAL	73403-6801
A	BLACK	73403-6800
KEYING CODE	COLOR	PART NO.

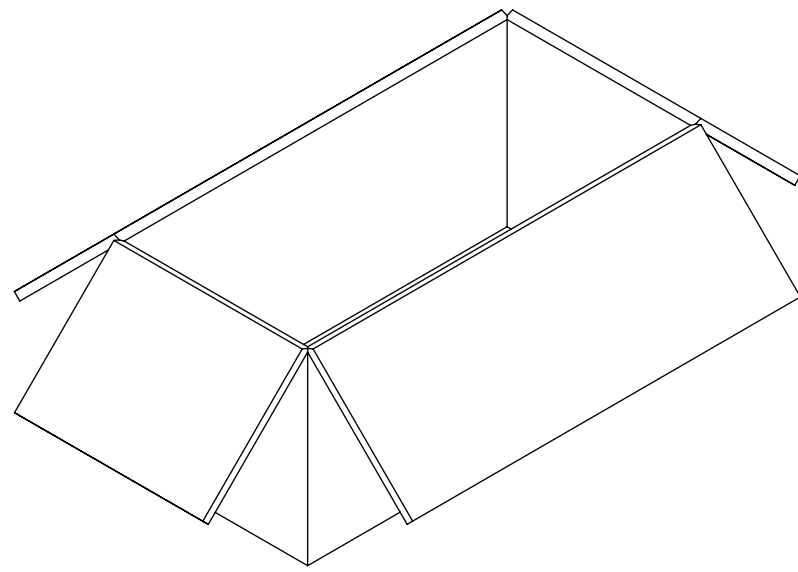
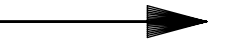
QUALITY SYMBOLS		THIS DRAWING CONTAINS INFORMATION THAT IS PROPRIETARY TO MOLEX ELECTRONIC TECHNOLOGIES, LLC AND SHOULD NOT BE USED WITHOUT WRITTEN PERMISSION	
	= 0	MIGRATED TO ECTRIX EC NO: 122197 DRWN: SCHANNARAYAN CHKD: ELIN REV / APPR: YCHENG	GENERAL TOLERANCES (UNLESS SPECIFIED) ANGULAR TOL ± 2.0 ° 4 PLACES ± 3 PLACES ± 2 PLACES ± 1 PLACE ± 0 PLACES ± DRAFT WHERE APPLICABLE MUST REMAIN WITHIN DIMENSIONS
	= 0		
	= 0		
	= 0		
	= 0		
	= 0		
	= 0		
	= 0		
	= 0		
	= 0		
DIMENSION UNITS		SCALE	molex®
MM/IN		1:2	
DRWN BY		DATE	SMB FAKRA JACK R/A PCB 50 OHMS FAKRA-J/PCB
ELIN		2014/07/17	
CHKD BY		DATE	PRODUCT CUSTOMER DRAWING
JOANNE		2014/07/17	
APPR BY		DATE	SERIES MATERIAL NUMBER CUSTOMER 73403 SEE TABLE GENERAL MARKET
YCHENG		2014/11/25	
DRAWING SIZE		THIRD ANGLE PROJECTION	DOCUMENT NUMBER DOC TYPE DOC PART SHEET NUMBER SD-73403-680 PSD 001 2 OF 3
A3		C	



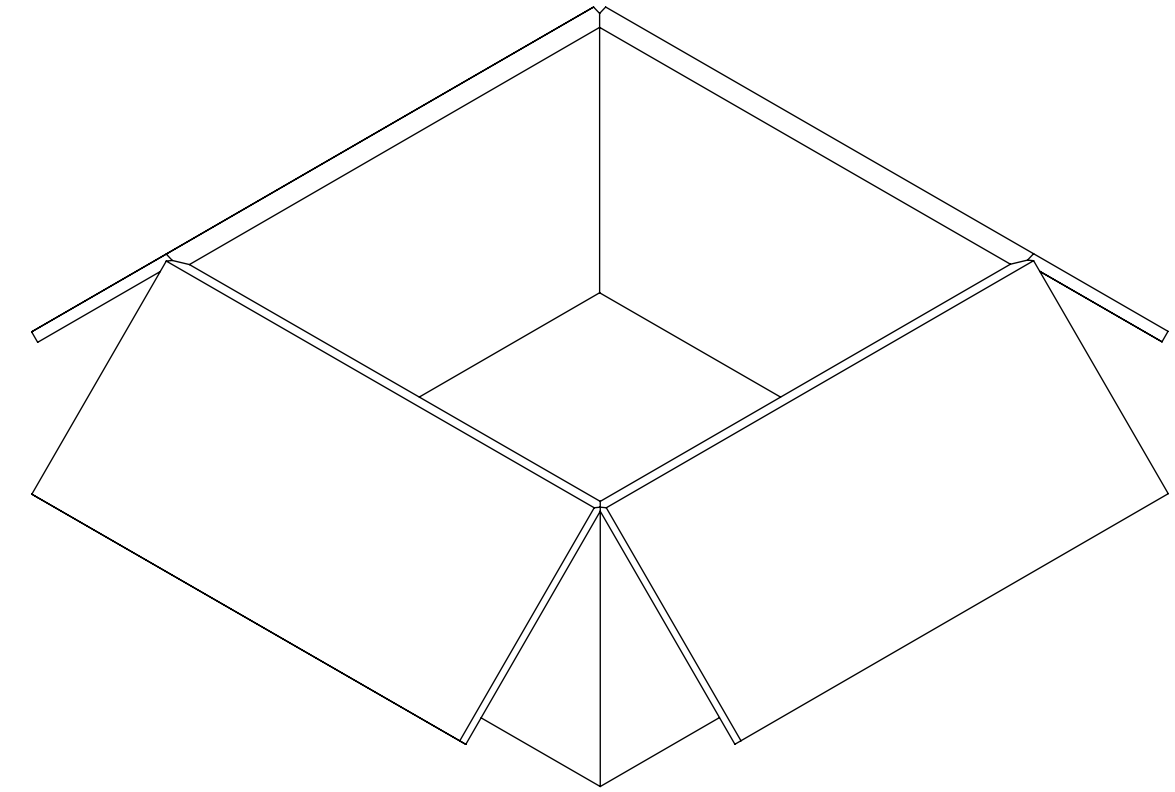
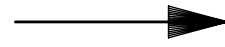
P/N 73403-680X



54 SET PER TRAY  
TRAY P/N 89707-0220



540 SET PER INNER  
CARTON BOX  
P/N 96707-0001



1080 SET PER OUTER  
CARTON BOX  
P/N 96708-0005

QUALITY SYMBOLS ▽ = 0 ▽ = 0 ▽ = 0 ▼ = 0 ▽ = 0 ⊠ = 0 ■ = 0 ▽ = 0	THIS DRAWING CONTAINS INFORMATION THAT IS PROPRIETARY TO MOLEX ELECTRONIC TECHNOLOGIES, LLC AND SHOULD NOT BE USED WITHOUT WRITTEN PERMISSION										
	EC NO: 122197 DRWN: SCHANNARAYAN CHKD: ELIN APPR: YCHENG		2017/09/08 2017/09/20 2017/09/21		GENERAL TOLERANCES (UNLESS SPECIFIED) ANGULAR TOL ± 2.0 °		DIMENSION UNITS: MM/IN SCALE: 1:2				SMB FAKRA JACK R/A PCB 50 OHMS FAKRA-J/PCB
DRWN BY: ELIN CHKD BY: JOANNE APPR BY: YCHENG		DATE: 2014/07/17 DATE: 2014/07/17 DATE: 2014/11/25		4 PLACES ± 3 PLACES ± 2 PLACES ± 1 PLACE ± 0 PLACES ±		DRWN BY: ELIN CHKD BY: JOANNE APPR BY: YCHENG		PRODUCT CUSTOMER DRAWING			
DRAFT WHERE APPLICABLE MUST REMAIN WITHIN DIMENSIONS		DRAWING SIZE: C		THIRD ANGLE PROJECTION		DOCUMENT NUMBER: SD-73403-680		DOC TYPE: PSD		DOC PART: 001 SHEET NUMBER: 3 OF 3	

单击下面可查看定价，库存，交付和生命周期等信息

[>>MOLEX](#)