

TABLE OF CONTENTS	
SHEET NO.	SHEET DESCRIPTION
1	NOTES AND BOM
2	CONFIGURATIONS
3	BLADE CAVITY PLUG DETAIL
4	RECEPTACLE CAVITY PLUG DETAIL

BILL OF MATERIALS (BOM)				
DESCRIPTION	PART NUMBER	COLOR	STATUS	MATERIAL
MX150 BLADE, NATURAL	34345-0001	NATURAL	SALEABLE	PBT
MX150 BLADE, BLACK	34345-0002	BLACK	PLANNED OBSOLESCENCE	PBT
MX150 BLADE EXTENDED	34345-0003	BLACK	SALEABLE	PBT
MX150 RECEPTACLE	34345-4001	STONE GRAY	SALEABLE	SPS PA66

NOTES: VALID UNLESS OTHERWISE SPECIFIED

1. GENERAL:

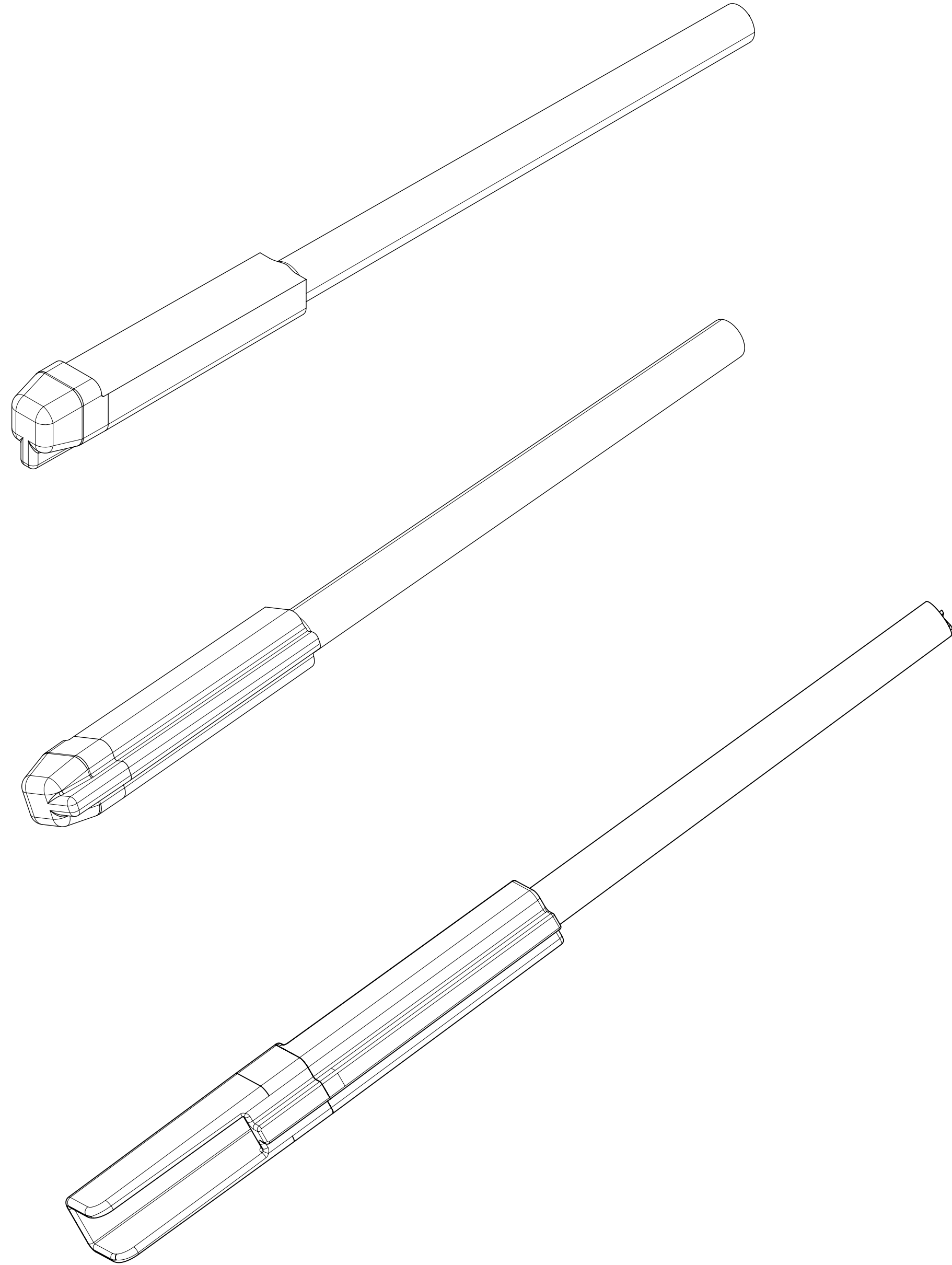
- a. APPLICATION SPECIFICATION SEE: AS-33472-100
  - COMPONENTS ARE OPTIONAL AND MUST BE PURCHASED SEPERATELY
  - FOR ASSEMBLY INSTRUCTIONS SEE THE APPLICATION SPECIFICATION
  - SEAL PLUGS ARE NOT TO BE USED TO REPLACE SHORTING BAR TERMINALS.
- b. PRODUCT SPECIFICATION SEE: N/A
- c. PACKAGING SPECIFICATION PER MOLEX DRAWING: PK-31300-438
- d. PARTS MUST BE IN COMPLIANCE TO MOLEX CHEMICAL SUBSTANCES FOR PRODUCTS AND PACKAGING SPECIFICATION: QEHS-699000-300
- e. DATA MUST BE SUBMITTED UNDER THE MOLEX PART NUMBER TO IMDS (COMPANY ID#13255)

2. DESIGN - MATERIALS:

- a. MATERIAL: SEE TABLE

3. DESIGN - GEOMETRY:

- a. ALL GRAPHIC DATA IS BASIC (NO TOLERANCE) AND MUST BE TAKEN FROM THE DATA FILE AT ITS LATEST REVISION.
- b. GEOMETRIC DIMENSIONS AND TOLERANCES PER ASME Y14.5M - 2009
- c. THE BASIC DIMENSIONS OF THE COMPONENT ARE DEFINED BY THE 3-D CAD DATA. THE CAD MATHEMATICAL DATA IS THE MASTER FOR ALL FEATURES AND IS TO BE USED TO ESTABLISH DIMENSIONAL INFORMATION NOT SHOWN ON THIS DRAWING.
- d. GENERAL TOLERANCES: SEE TITLE BLOCK
- e. EDGES AND UNDIMENSIONED DETAILS PER ISO13715
- f. CORNERS SHOWN AS SHARP TO BE R 0.2 MAX.
- g. LETTERING SHALL BE 0.15 MAX RAISED.
- h. FOR BLADE INSERTION DEPTH FOR RCPT CAVITY PLUG REFER SHEET 4



BALLOON NUMBERS	
REMOVED: 6	

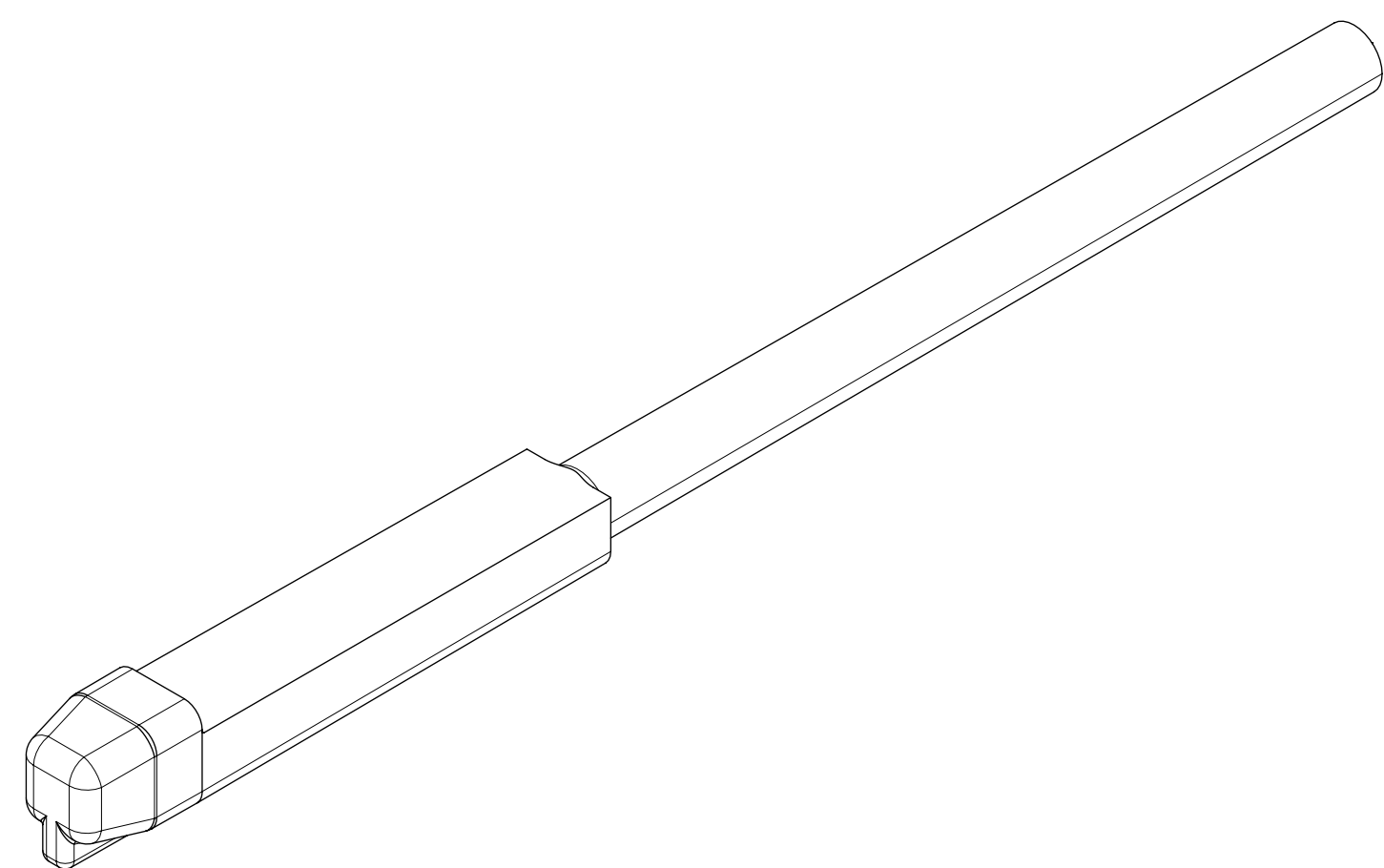
D6	UPDATED RCPT CAVITY PLUG COLOR
D5	ADDED RCPT PLUG MAX. BLADE INSERTION DEPTH
D4	UPDATED BOM P/N DESCRIPTION
D3	UPDATED DIM 20 TOLERANCE
D2	RCPT CAV PLUG DIMS REMOVED
D1	CHANGE PARTS STATUS TO SALEABLE
D	ADDITION OF RECEPTACLE CAVITY PLUG DETAILS
C6	NX RE-MASTERING
REV	DESCRIPTION

THIS DRAWING CONTAINS INFORMATION THAT IS PROPRIETARY TO MOLEX ELECTRONIC TECHNOLOGIES, LLC AND SHOULD NOT BE USED WITHOUT WRITTEN PERMISSION

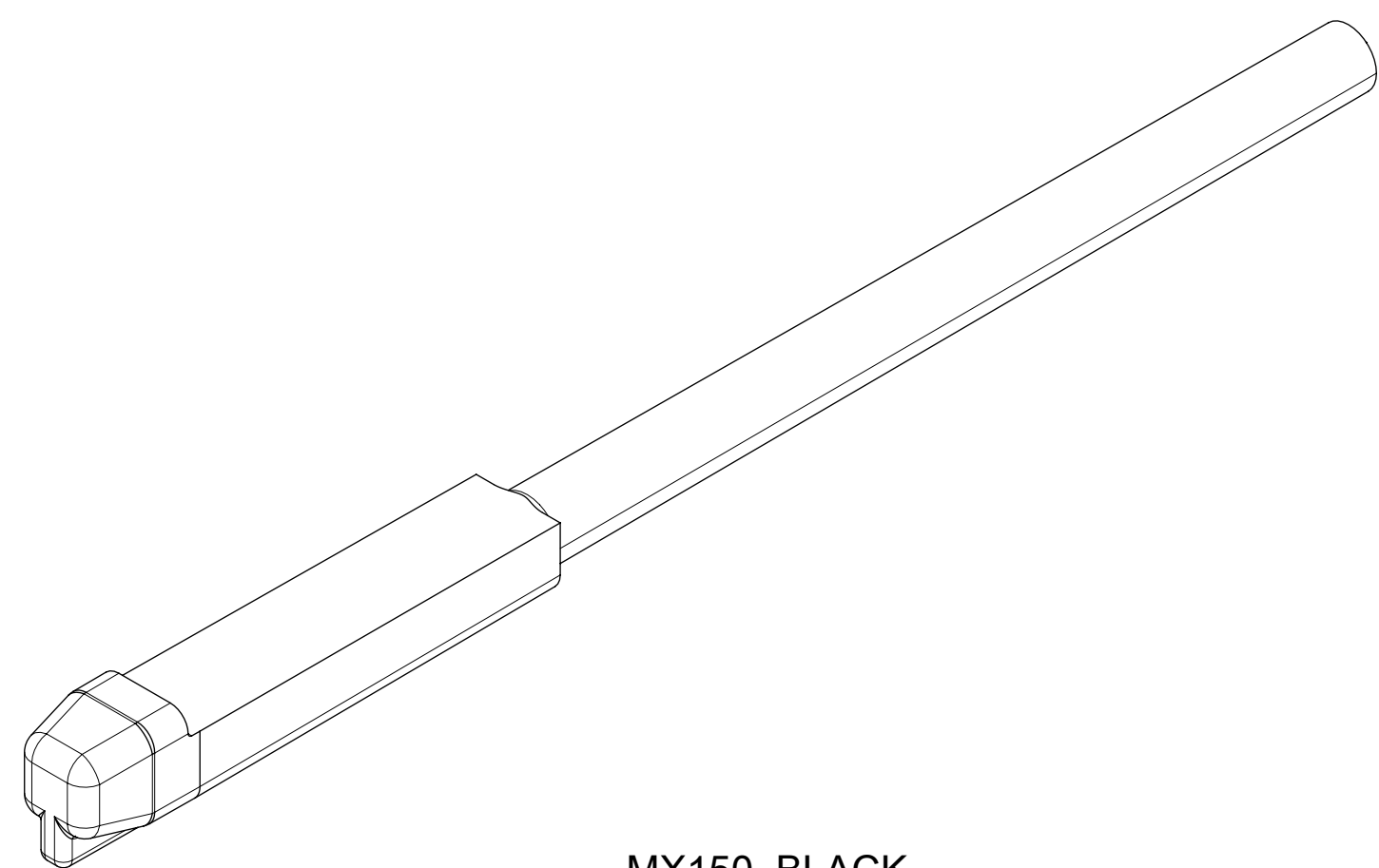
EC NO: 681113 DRWN: PPALLAN CHKD: KBORUSZEWSKI REV APPR: KBORUSZEWSKI	2021/10/12	GENERAL TOLERANCES (UNLESS SPECIFIED)	DIMENSION UNITS	SCALE	
	2021/10/14	ANGULAR TOL ± 3.0 °	MM ONLY	7:1	
	2021/10/14	4 PLACES ±	DRWN BY	DATE	
		3 PLACES ±	MVANSLAM	10/27/05	
		2 PLACES ± 0.1	CHKD BY	DATE	
	1 PLACE ± 0.3	ABUTCHER	10/27/05		
	0 PLACES ±	APPR BY	DATE		
		SMARCEAU	10/27/05		
		DRAFT WHERE APPLICABLE MUST REMAIN WITHIN DIMENSIONS	DRAWING SIZE	THIRD ANGLE PROJECTION	SERIES
			D		34345
					MATERIAL NUMBER
					SEE BOM
					CUSTOMER
					GENERAL MARKET
					DOCUMENT NUMBER
					SD-34345-001
					DOC TYPE
					PSD
					DOC PART
					000
					SHEET NUMBER
					1 OF 4

SHEET DESCRIPTION

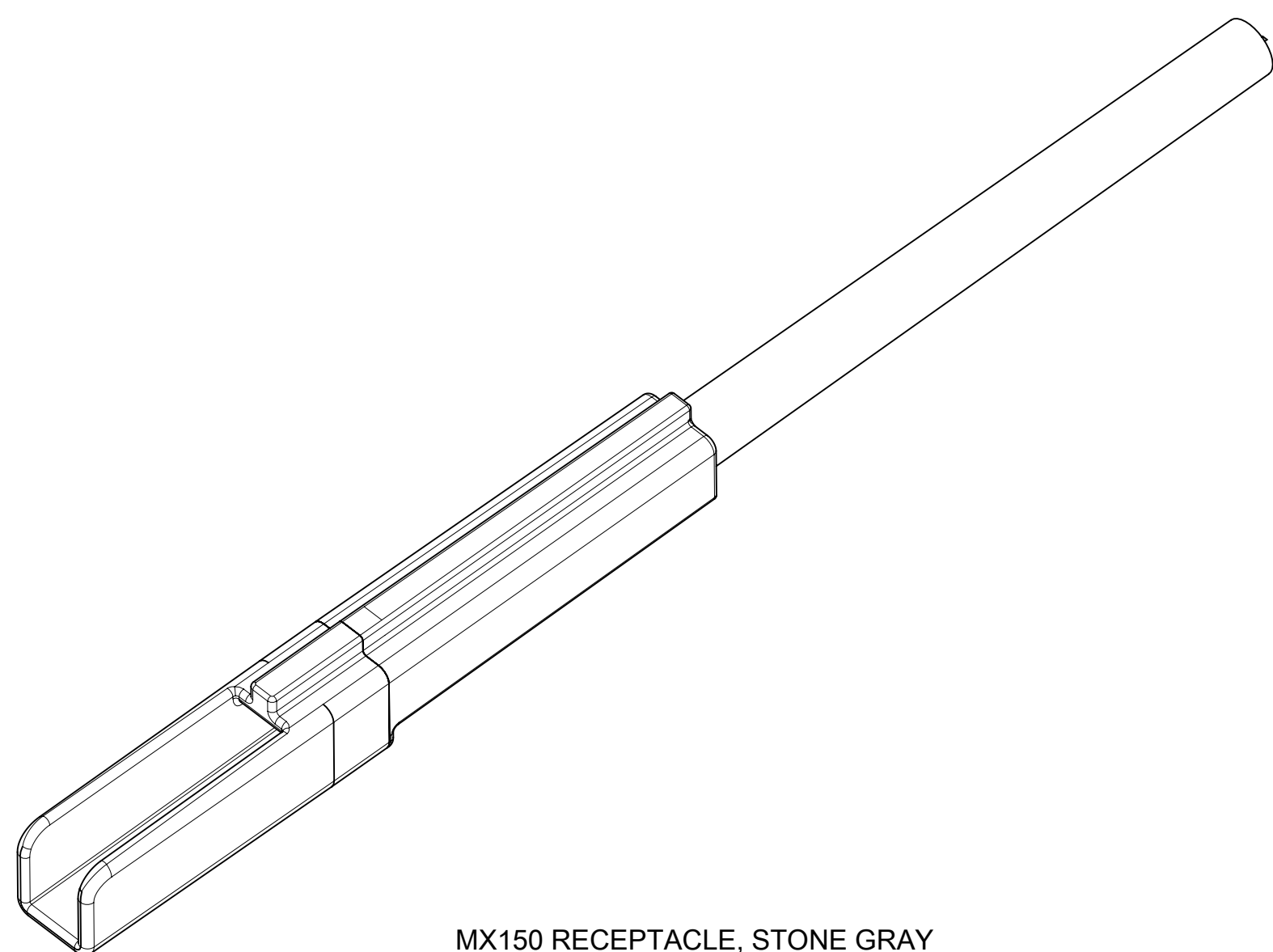
CONFIGURATIONS



MX150, NATURAL



MX150, BLACK

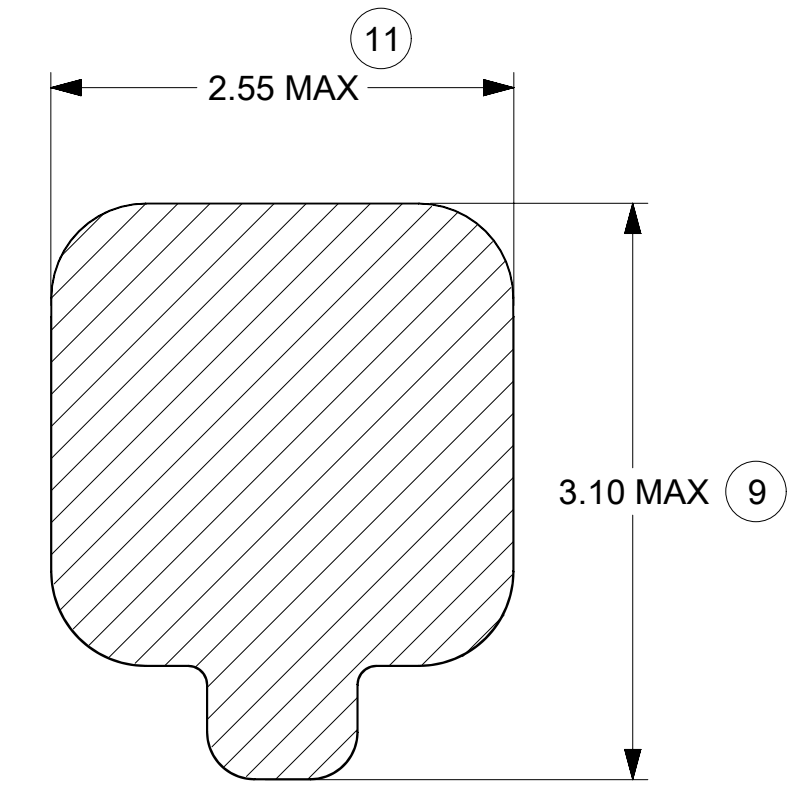
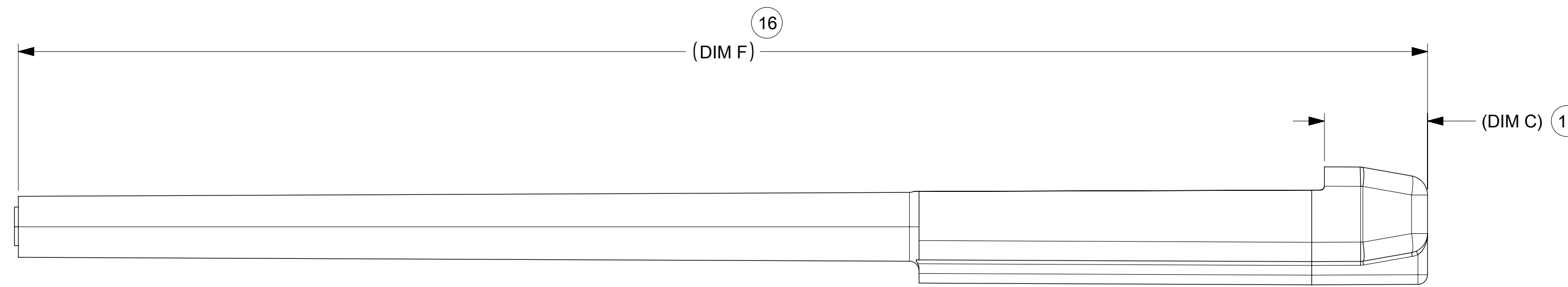
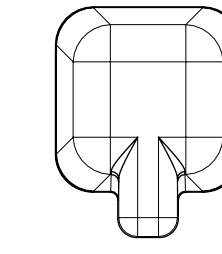
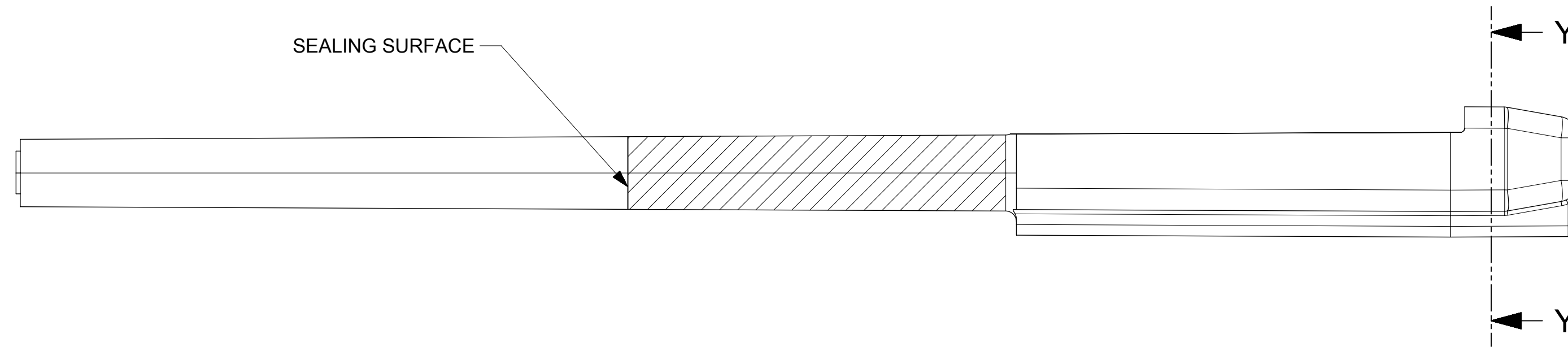
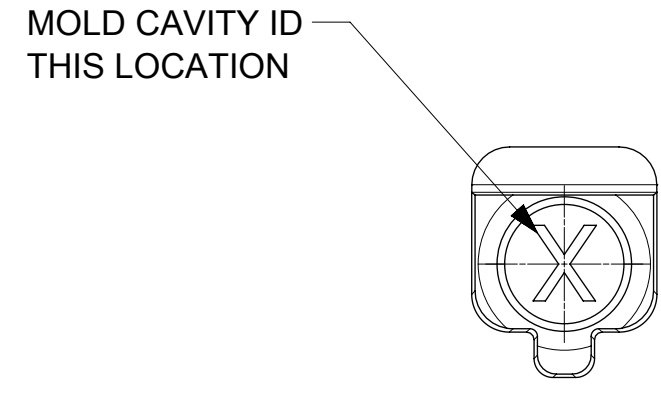


MX150 RECEPTACLE, STONE GRAY

THIS DRAWING CONTAINS INFORMATION THAT IS PROPRIETARY TO MOLEX ELECTRONIC TECHNOLOGIES, LLC AND SHOULD NOT BE USED WITHOUT WRITTEN PERMISSION

EC NO: 681113 DRWN: PPALLAN CHKD: KBORUSZEWSKI REV: APPR: KBORUSZEWSKI	2021/10/12	2021/10/14	2021/10/14	GENERAL TOLERANCES (UNLESS SPECIFIED) ANGULAR TOL ± 3.0 ° 4 PLACES ± 3 PLACES ± 2 PLACES ± 0.1 1 PLACE ± 0.3 0 PLACES ± DRAFT WHERE APPLICABLE MUST REMAIN WITHIN DIMENSIONS	DIMENSION UNITS	SCALE						
	MM ONLY				7:1							
	DRWN BY		DATE		MVANSLAM 10/27/05			MX150 CAVITY PLUG SEALED				
	CHKD BY		DATE		ABUTCHER 10/27/05							
	APPR BY		DATE		SMARCEAU 10/27/05							
	DRAWING SIZE		THIRD ANGLE PROJECTION		D			SERIES	MATERIAL NUMBER	CUSTOMER		
	D6		D		DRAFT WHERE APPLICABLE MUST REMAIN WITHIN DIMENSIONS			34345	SEE BOM	GENERAL MARKET		
	RELEASE STATUS		RELEASE DATE		Downloaded From <a href="http://Onejac.com">Onejac.com</a>			DOCUMENT NUMBER	DOC TYPE	DOC PART	SHEET NUMBER	
	19		18		17			SD-34345-001	PSD	000	2 OF 4	
	16		15		14			2		1		

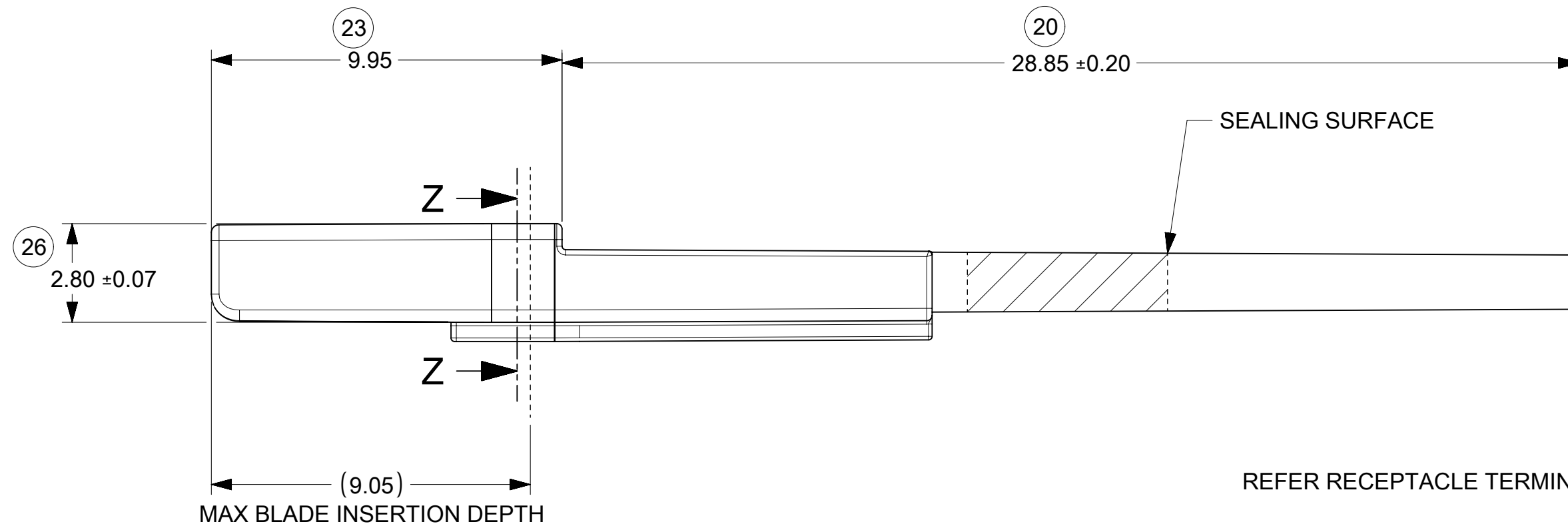
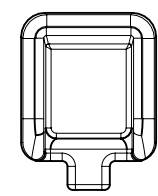
CHARTED DIMENSIONS		
DESCRIPTION	DIMENSIONS	
	C	F
MX150, NATURAL	3	36.8
MX150, BLACK	2.67	36.8
MX150 BLADE EXTENDED	2.67	40.8



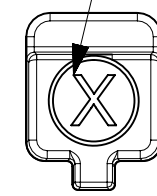
SECTION Y-Y  
SCALE 25:1

THIS DRAWING CONTAINS INFORMATION THAT IS PROPRIETARY TO MOLEX ELECTRONIC TECHNOLOGIES, LLC AND SHOULD NOT BE USED WITHOUT WRITTEN PERMISSION

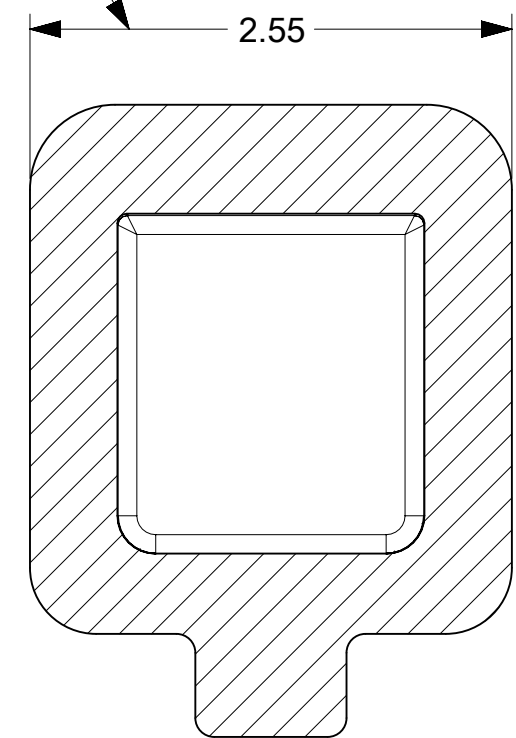
EC NO: 681113 DRWN: PPALLAN CHKD: KBORUSZEWSKI REV APPR: KBORUSZEWSKI	2021/10/12	GENERAL TOLERANCES (UNLESS SPECIFIED)	DIMENSION UNITS	SCALE			
	2021/10/14	ANGULAR TOL ± 3.0 °	MM ONLY	10:1			
	2021/10/14	4 PLACES ±	DRWN BY	DATE			
		3 PLACES ±	MVANSLAM	10/27/05			
		2 PLACES ± 0.1	CHKD BY	DATE			
		1 PLACE ± 0.3	ABUTCHER	10/27/05			
	0 PLACES ±	APPR BY	DATE	PRODUCT CUSTOMER DRAWING			
	DRAFT WHERE APPLICABLE MUST REMAIN WITHIN DIMENSIONS	SMARCEAU	10/27/05	SERIES	MATERIAL NUMBER	CUSTOMER	
			DRAWING SIZE	THIRD ANGLE PROJECTION	34345	SEE BOM	GENERAL MARKET
			D		DOCUMENT NUMBER	DOC TYPE	DOC PART SHEET NUMBER
					SD-34345-001	PSD	000 3 OF 4



MOLD CAVITY ID  
THIS LOCATION



REFER RECEPTACLE TERMINAL DRAWING



SECTION Z-Z

THIS DRAWING CONTAINS INFORMATION THAT IS PROPRIETARY TO MOLEX ELECTRONIC TECHNOLOGIES, LLC AND SHOULD NOT BE USED WITHOUT WRITTEN PERMISSION									
DIMENSION UNITS		SCALE		CURRENT REV DESC:				<b>molex</b>	
mm									
GENERAL TOLERANCES (UNLESS SPECIFIED)				EC NO: 681113				PRODUCT CUSTOMER DRAWING	
ANGULAR TOL ± 3.0°				DRWN: PPALLAN 2021/10/12					
4 PLACES ±				CHK'D: KBORUSZEWSKI 2021/10/14					
3 PLACES ±				APPR: KBORUSZEWSKI 2021/10/14				DOCUMENT NUMBER	
2 PLACES ± 0.1				INITIAL REVISION:				SD-34345-001	
1 PLACE ± 0.3				DRWN: MVANSLAMBROU 2005/12/01				DOC TYPE	
0 PLACES ±				APPR: SMARCEAU 2005/12/01				PSD	
DRAFT WHERE APPLICABLE MUST REMAIN WITHIN DIMENSIONS				THIRD ANGLE PROJECTION		DRAWING		DOC PART	
				C-SIZE		SERIES		REVISION	
				C-SIZE		34345		000 D6	
						MATERIAL NUMBER		SHEET NUMBER	
						GENERAL MARKET		4 OF 4	

单击下面可查看定价，库存，交付和生命周期等信息

[>>MOLEX](#)