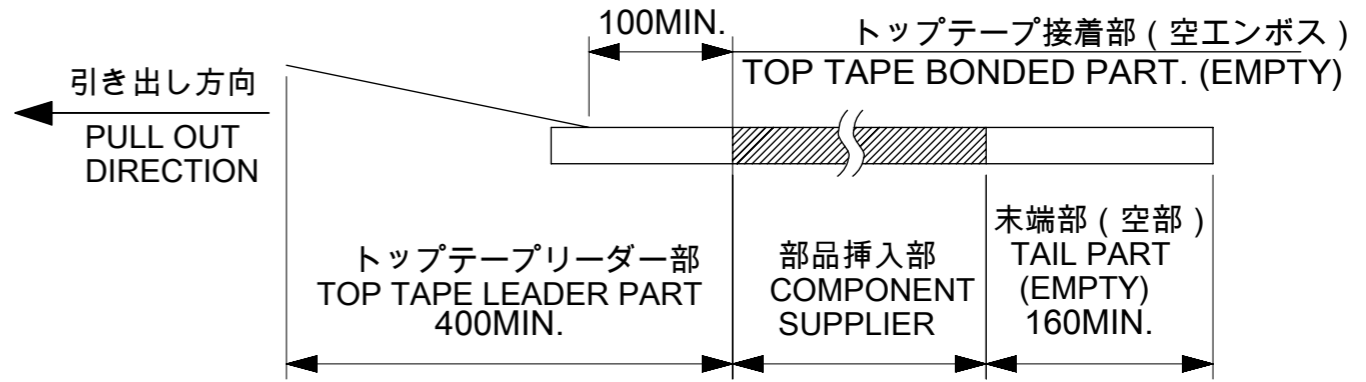


注記 NOTES

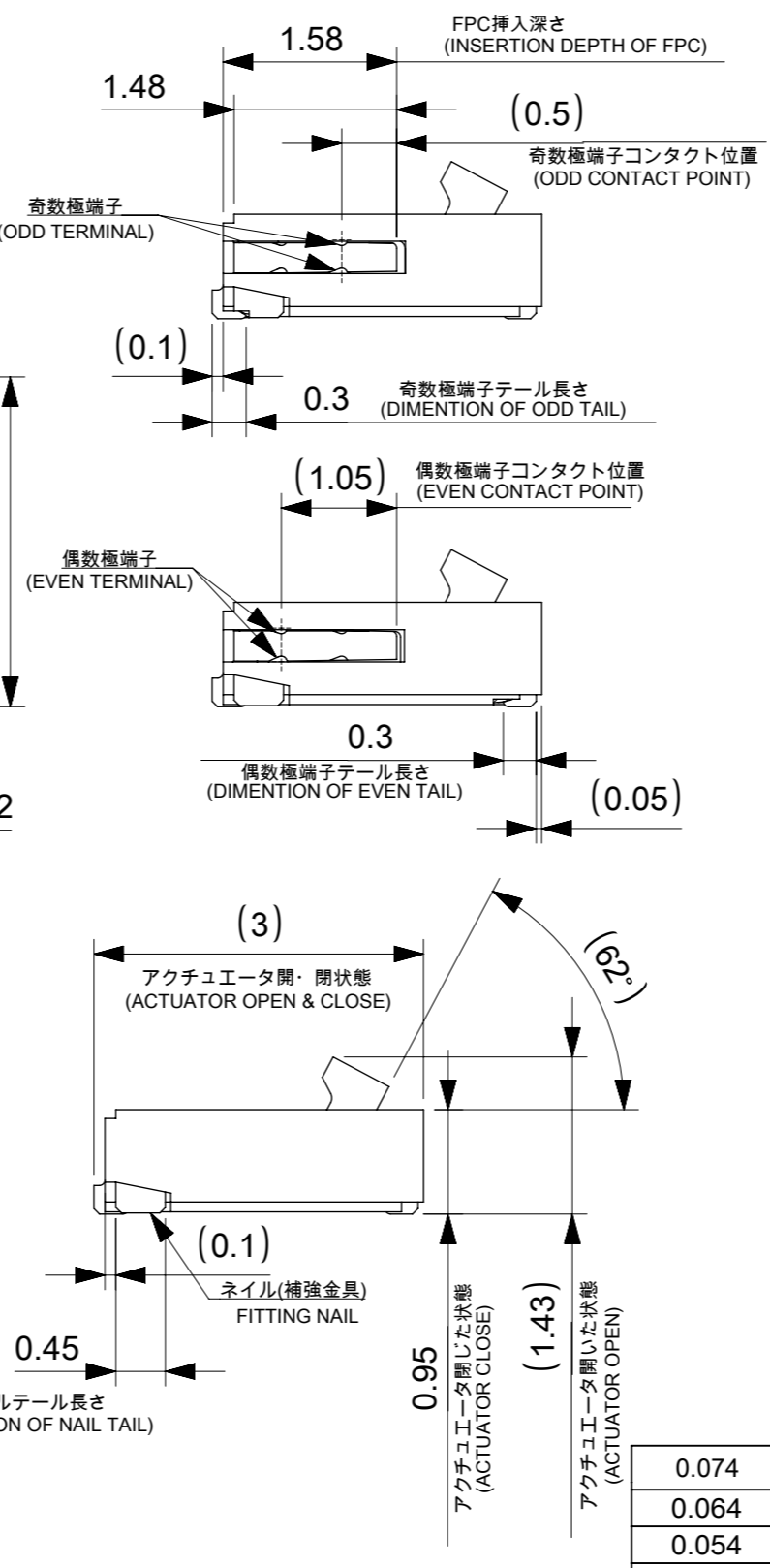
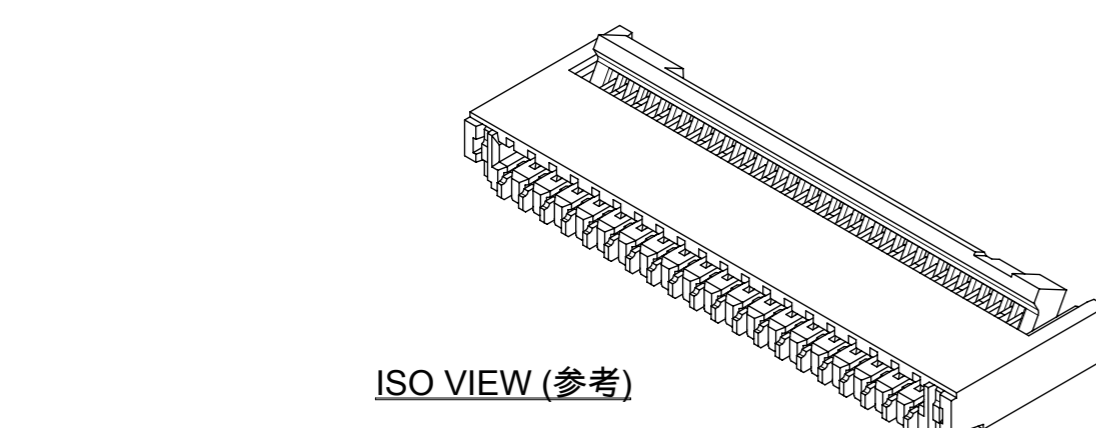
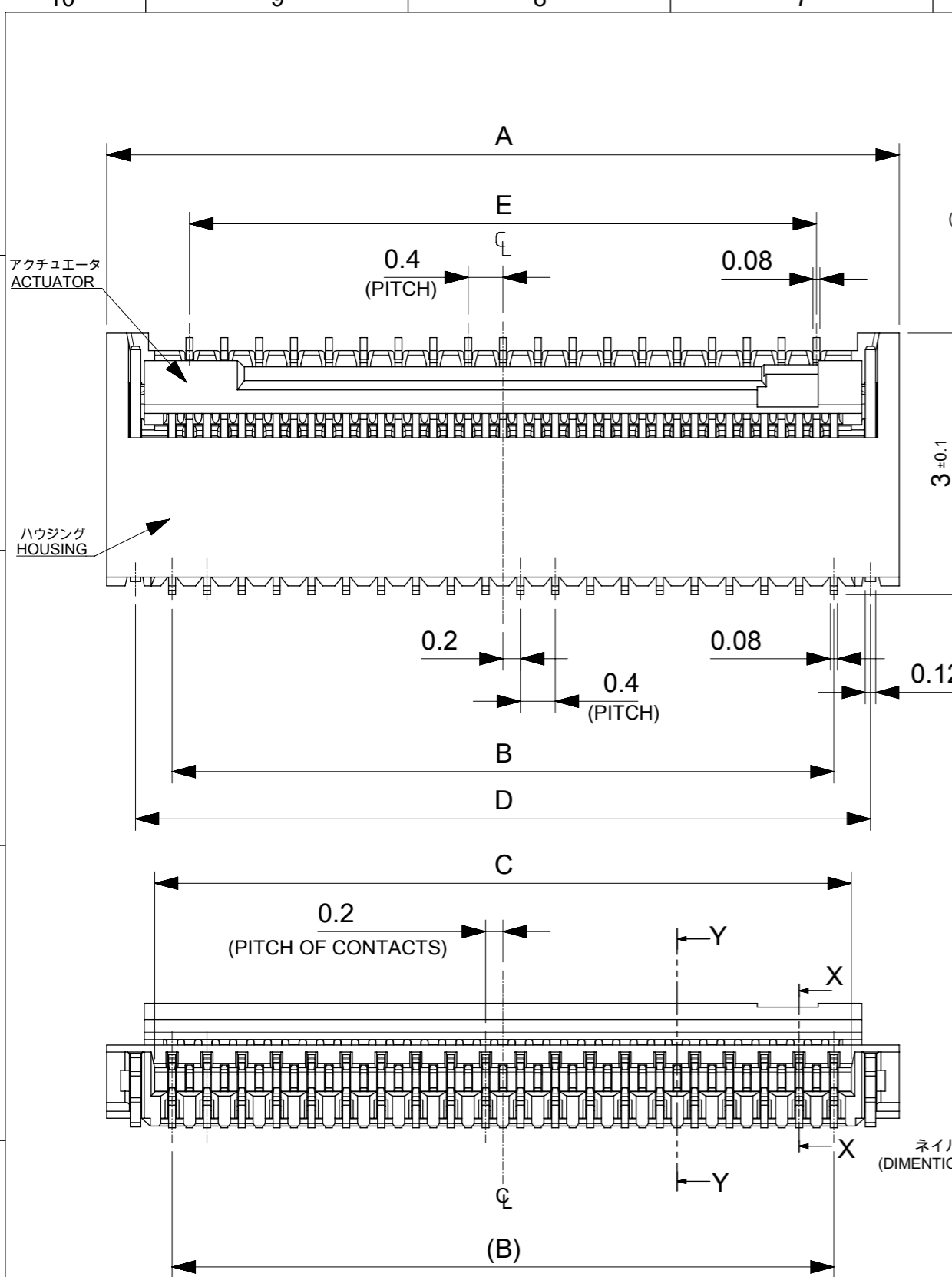
- 製品詳細寸法については図面5040701000\_PSD\_000を参照ください。  
REFER TO THE 5040701000\_PSD\_000 ABOUT DIMENSIONS IN DETAIL.
- 梱包数量 : 3000個/リール , 71極 : 5,000個 /リール  
NUMBER OF CONNECTORS : 3,000 PCS/REEL , 71CKT : 5,000PCS
- リードテープ長さ LEAD TAPE LENGTH



- 材料 MATERIAL  
キャリアテープ(CARRIER TAPE) : ポリスチレン (POLYSTYRENE)  
トップテープ(TOP TAPE) : PET, PE, PEF  
リール(REEL) : ポリスチレン(PS) <リサイクル材を含む>  
POLYSTYRENE (PS) < RECYCLE MATERIAL CONTAINED >

THIS DRAWING CONTAINS INFORMATION THAT IS PROPRIETARY TO MOLEX ELECTRONIC TECHNOLOGIES, LLC AND SHOULD NOT BE USED WITHOUT WRITTEN PERMISSION		CURRENT REV DESC: PROPOSED		<b>molex</b>	
DIMENSION UNITS	SCALE				
mm	NTS			PRODUCT CUSTOMER DRAWING	
GENERAL TOLERANCES (UNLESS SPECIFIED)		EC NO: 611109		DOCUMENT NUMBER	
ANGULAR TOL ± 1.0°		DRWN: AISHII 2019/01/23		5040700000	
4 PLACES ±		CHK'D: TRSUZUKI 2019/01/28		DOC TYPE DOC PART REVISION	
3 PLACES ±		APPR: RTAKEUCHI 2019/01/28		PSD 000 B	
2 PLACES ±		INITIAL REVISION:		MATERIAL NUMBER	
1 PLACE ±		DRWN: SKITAZAWA 2017/06/13		CUSTOMER	
0 PLACES ±		APPR: TKUSUHARA01 2017/07/24		GENERAL	
DRAFT WHERE APPLICABLE MUST REMAIN WITHIN DIMENSIONS		THIRD ANGLE PROJECTION	DRAWING	SERIES	SHEET NUMBER
			A3-SIZE	504070	1 OF 2





注記 NOTES

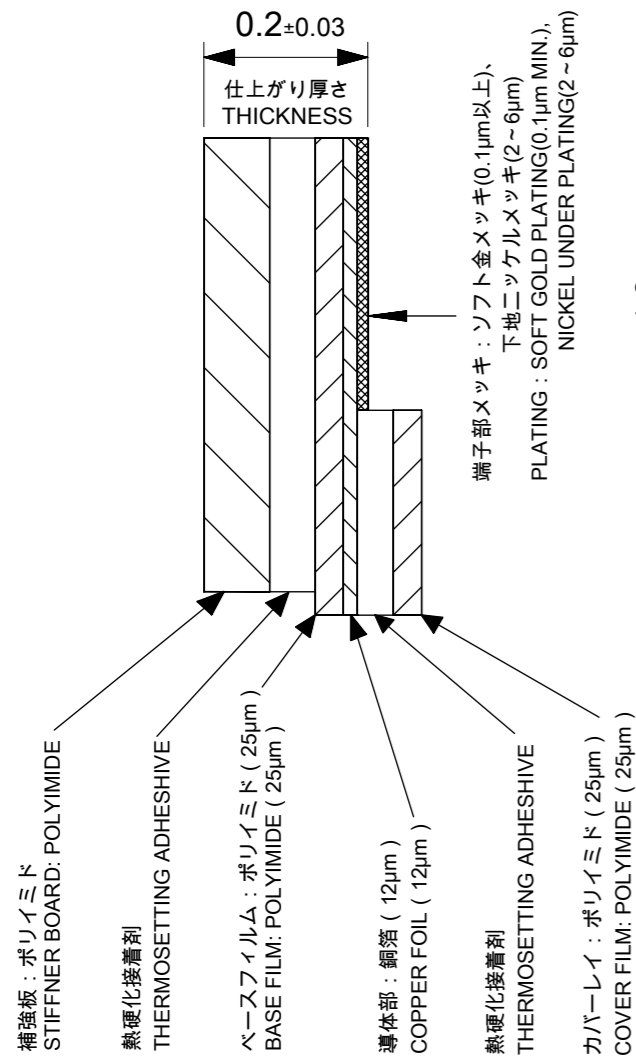
- 材質 MATERIAL  
 ハウジング：熱可塑性樹脂、黒色、UL94 V-0  
 アクチュエータ：熱可塑性樹脂  
 奇数極端子・偶数極端子：銅合金(t0.08)、ニッケル下地、金めっき  
 ネイル(補強金具)：銅合金(t0.12)、ニッケル下地、錫めっき  
 HOUSING：THERMOPLASTIC RESIN, BLACK, UL94 V-0  
 ACTUATOR：THERMOPLASTIC RESIN  
 TERMINAL：COPPER ALLOY(t0.08), GOLD OVER NICKEL PLATING  
 FITTING NAIL：COPPER ALLOY(t0.12), TIN OVER NICKEL PLATING
- めっき仕様 PLATING  
 ターミナル TERMINAL  
 接点部：金めっき 0.1μm以上  
 テール部：金めっき  
 下地：ニッケルめっき 1.0μm以上  
 CONTACT AREA：GOLD PLATING 0.1 MICROMETER MNIMUM  
 TAIL AREA：GOLD PLATING  
 UNDER PLATNG：NICKEL PLATING 1.0 MICROMETER MNIMUM  
 ネイル(補強金具) FITTING NAIL  
 錫めっき 1.0μm以上  
 下地：ニッケルめっき：1.0μm以上  
 TIN PLATING 1.0 MICROMETER MNIMUM  
 UNDER PLATNG：NICKEL PLATING 1.0 MICROMETER MNIMUM
- 端子・ネイルの平坦度は0.1mm以下とする。  
 COPLANARITY OF TAILS AND FITTING NAILS :0.1 MAXIMUM.
- 各寸法の公差設定を下記のとおりとする。  
 THE TOLERANCE SETTING OF EACH DIMENTION IS AS FOLLOWS.

寸法範囲 DIMENSIONAL RANGE	公差 TOLERANCES
30≦寸法値 DIMENTION	±0.3
10≦寸法値 DIMENTION < 30	±0.25
1≦寸法値 DIMENTION < 10	±0.2
0.5≦寸法値 DIMENTION < 1	±0.1
0.25≦寸法値 DIMENTION < 0.5	±0.05
寸法値 DIMENTION < 0.25	±0.03

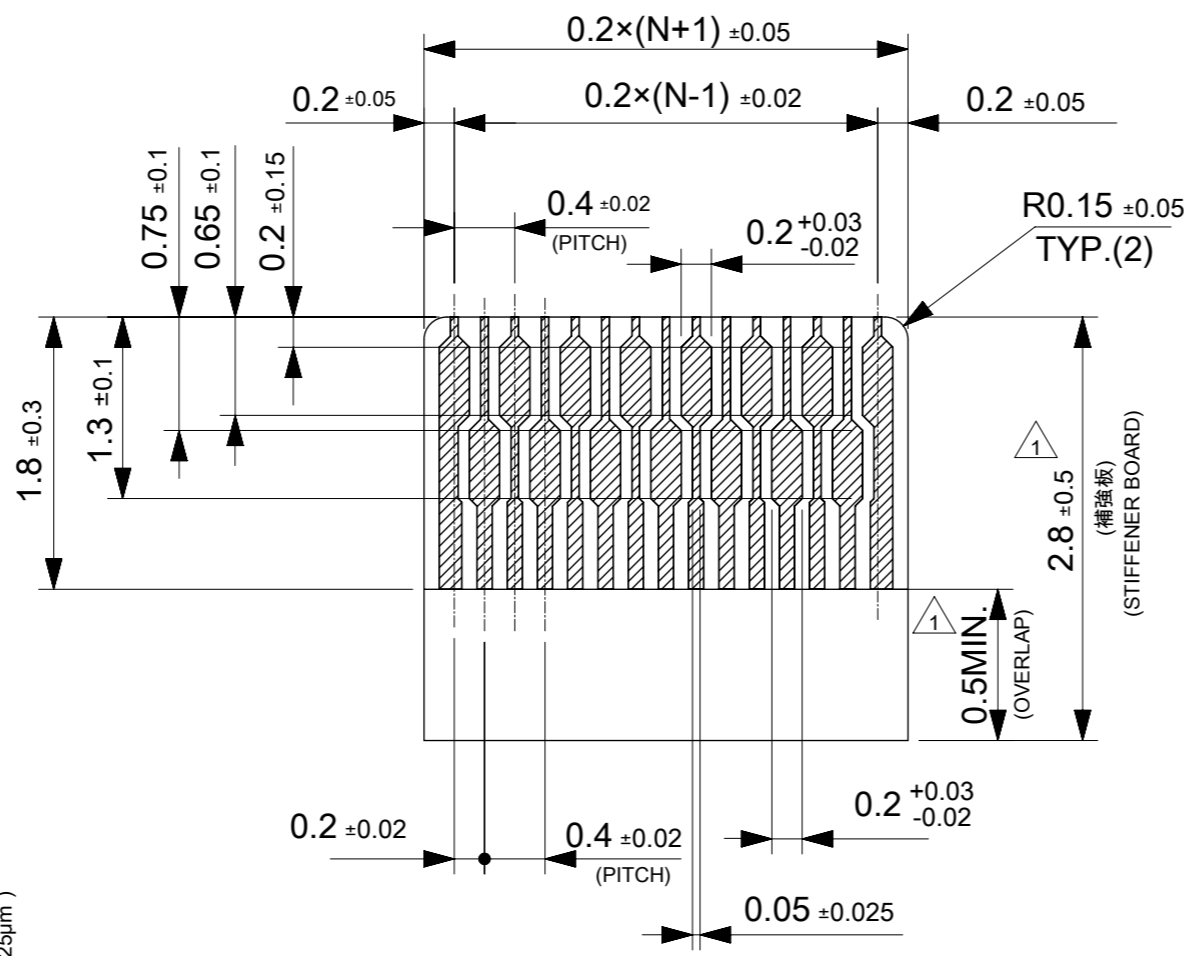
0.074	13.6	14.84	14.4	14	15.5	5040707181	5,000	71
0.064	11.6	12.84	12.4	12	13.5	5040706191	3,000	61
0.054	9.6	10.84	10.4	10	11.5	5040705191	3,000	51
0.043	7.2	8.44	8	7.6	9.1	5040703991	3,000	39
重さ(g) WEIGHT(g)	E	D	C	B	A	EMBOSSDPACKAGE オーダー番号：ORDER NO.	個数 NUMBER	極数 CIRCUITS

CONNECTOR SERIES : 504070\*\*11

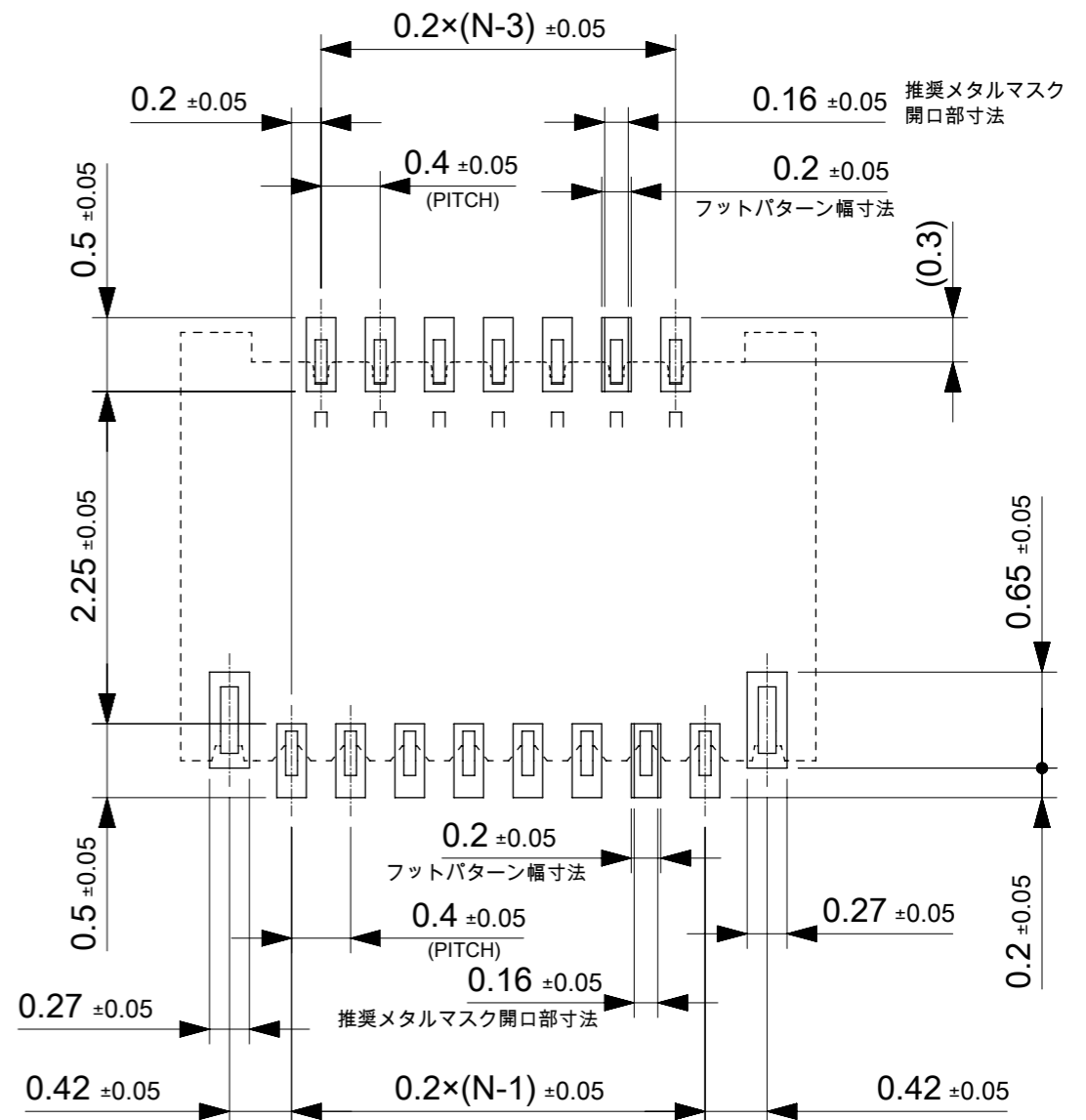
THIS DRAWING CONTAINS INFORMATION THAT IS PROPRIETARY TO MOLEX ELECTRONIC TECHNOLOGIES, LLC AND SHOULD NOT BE USED WITHOUT WRITTEN PERMISSION		CURRENT REV DESC:		<b>molex</b>	
DIMENSION UNITS mm	SCALE 15:1				
GENERAL TOLERANCES (UNLESS SPECIFIED)				0.2 FPC CONN. BACK FLIP HOUSING ASSY LOW-HALOGEN	
ANGULAR TOL ± 1.0°				PRODUCT CUSTOMER DRAWING	
4 PLACES ±		EC NO: 717102		DOCUMENT NUMBER	
3 PLACES ±		DRWN: RAJAGN	2022/08/02	5040701000	
2 PLACES ±		CHK'D: SMARUYAMA	2022/08/09	DOC TYPE	DOC PART
1 PLACE ±		APPR: YNAITO	2022/08/09	PSD	000
0 PLACES ±		INITIAL REVISION:		REVISION	
DRAFT WHERE APPLICABLE MUST REMAIN WITHIN DIMENSIONS		DRWN: SKITAZAWA	2016/06/30	C	
THIRD ANGLE PROJECTION		APPR: TKUSUHARA01	2017/07/24		
DRAWING		SERIES	MATERIAL NUMBER	CUSTOMER	
A3-SIZE		504070	SEE TABLE	GENERAL	
				SHEET NUMBER	
				1 OF 2	



FPC構成推奨仕様  
(STRUCTURE OF FPC)



適合する金めっきFPC推奨寸法  
 APPLICABLE FPC OF GOLD PLATING  
 RECOMMENDED DIMENSION  
 (仕上がり厚さ:  $0.2 \pm 0.03$ )  
 (THICKNESS:  $0.2 \pm 0.03$ )



推奨基板寸法  
 RECOMMENDED  
 P.C.B PATTERN LAYOUT

推奨ペースト厚:  $100\mu\text{m}$   
 推奨マスク開口率: 80%  
 RECOMMEND SCREEN THICKNESS:  $100\mu\text{m}$   
 RECOMMEND SCREEN OPEN RATIO: 80%

・ FPCについて (ABOUT FPC):  
 抜き方向は、導体側から補強板側を推奨致します。  
 補強フィルム材質は、ポリイミドを推奨致します。  
 接着剤は熱硬化接着剤を推奨致します。  
 尚、接着剤の接点部への付着は導通不良の原因になりますので、染み出しが無い様、お願い致します。  
 RECOMMENDED PUNCHER DIRECTION: FROM CONDUCTOR SIDE TO STIFFENER FILM SIDE.  
 RECOMMENDED MATERIAL: STIFFENER FILM: POLYIMIDE  
 BONDING AGENT: THERMOSETTING AGENT  
 PLEASE PUT APPROPRIATE AMOUNT OF ADHESIVE ON ADHEREND  
 BECAUSE THERE IS A POSSIBILITY THAT THE EXTRA ADHESIVE  
 CAUSES THE DEFECT IN ELECTRICAL CONTINUITY.  
 補強板長さが図面通り確保できない場合は、カバーレイと補強板のオーバーラップ寸法を0.5mm以上としてください。  
 WHEN STIFFENER BOARD DIMENSION CAN NOT SECURE AS DRAWING, PLEASE GIVE THE OVERLAP SIZE OF COVER FILM AND STIFFENER BOARD AS 0.5mm MINIMUM.



THIS DRAWING CONTAINS INFORMATION THAT IS PROPRIETARY TO MOLEX ELECTRONIC TECHNOLOGIES, LLC AND SHOULD NOT BE USED WITHOUT WRITTEN PERMISSION		CURRENT REV DESC:		<b>molex</b>	
DIMENSION UNITS	SCALE				
mm	$\frac{1}{25.4}$			0.2 FPC CONN. BACK FLIP HOUSING ASSY LOW-HALOGEN	
GENERAL TOLERANCES (UNLESS SPECIFIED)				PRODUCT CUSTOMER DRAWING	
ANGULAR TOL	$\pm 1.0^\circ$			DOCUMENT NUMBER	
4 PLACES	$\pm$	EC NO: 717102	2022/08/02	5040701000	
3 PLACES	$\pm$	DRWN: RAJAGN	2022/08/09	DOC TYPE	DOC PART
2 PLACES	$\pm$	CHK'D: SMARUYAMA	2022/08/09	PSD	000
1 PLACE	$\pm$	APPR: YNAITO	2022/08/09	C	
0 PLACES	$\pm$	INITIAL REVISION:			
DRAFT WHERE APPLICABLE MUST REMAIN WITHIN DIMENSIONS		DRWN: SKITAZAWA	2016/06/30		
THIRD ANGLE PROJECTION		APPR: TKUSUHARA01	2017/07/24		
DRAWING		SERIES	MATERIAL NUMBER	CUSTOMER	
A3-SIZE		504070	SEE SHEET 1	GENERAL	
SHEET NUMBER				2 OF 2	

单击下面可查看定价，库存，交付和生命周期等信息

[>>MOLEX](#)