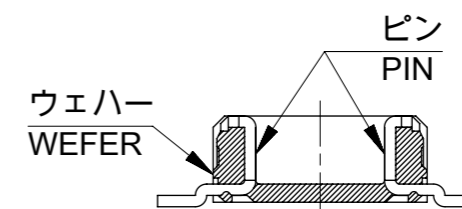
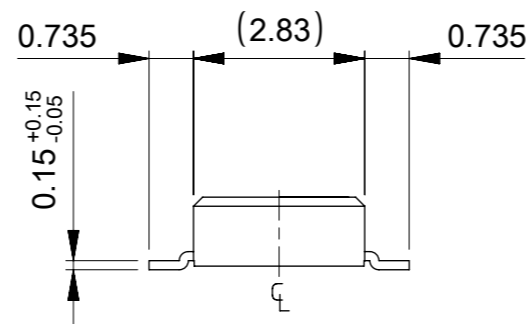
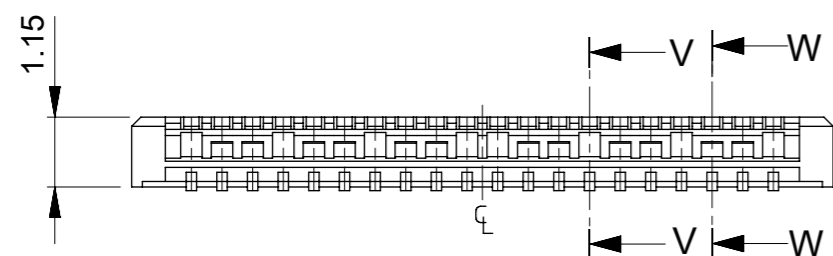


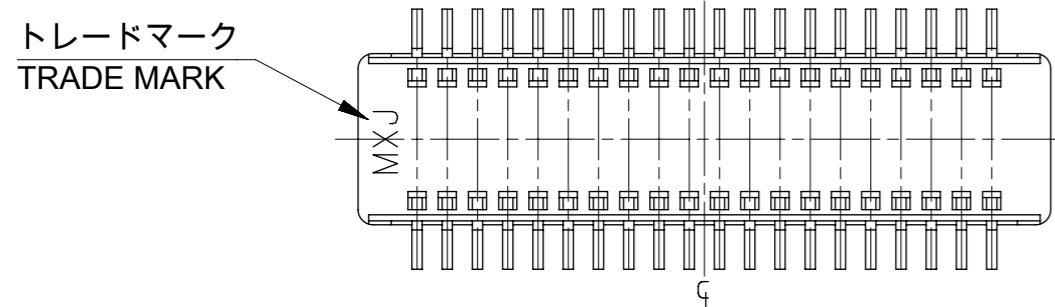
参考基板レイアウト (マウント面)
P.C. BOARD PATTERN
DIMENSION. (REF.)
(MOUNTING AREA)



SECTION W-W (LOCK PART)

SECTION V-V (W/O LOCK PART)

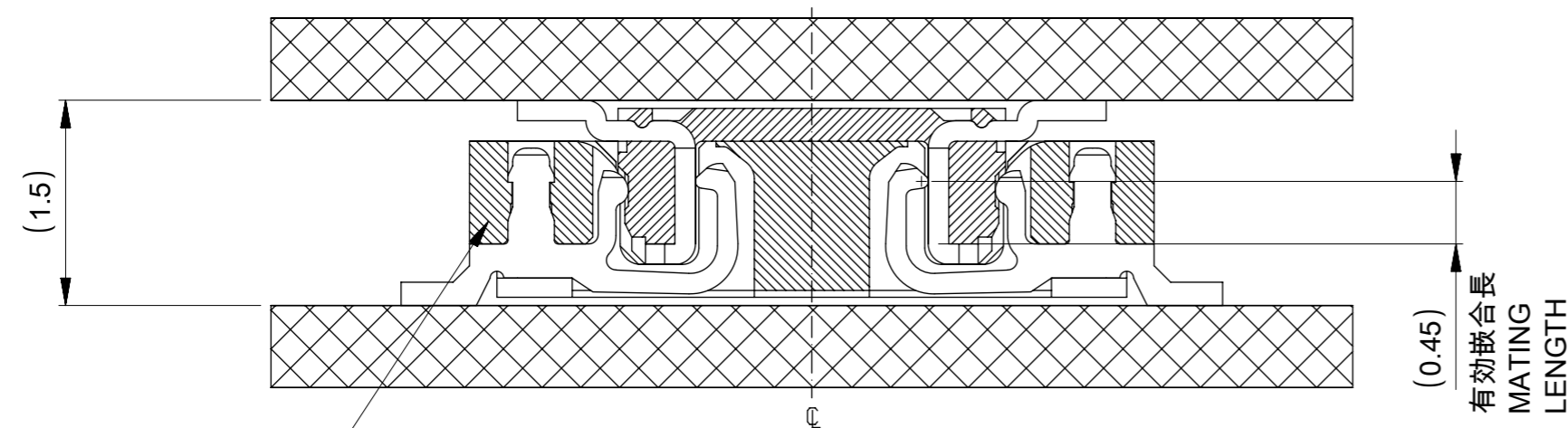
LOCK POSITION 1 2 3 N-2N-1N



NON	20.55	19.5	21.45	55560-0807	80
10,21	15.55	14.5	16.45	55560-0607	60
2,4,8,10,16,18,22,24	13.05	12.0	13.95	55560-0507	50
2,3,5,6,8,9,12,13,15,16,18,19	10.55	9.5	11.45	55560-0407	40
2,3,4,5,8,9,10,11,14,15,16,17	9.55	8.5	10.45	55560-0367	36
2,3,4,5,7,8,9,10,11,13,14,15,16	9.05	8.0	9.95	55560-0347	34
ALL	8.05	7.0	8.95	55560-0307	30
	6.55	5.5	7.45	55560-0247	24
	6.05	5.0	6.95	55560-0227	22
				55560-0228	
	5.55	4.5	6.45	55560-0207	20
4.55	3.5	5.45	55560-0168	16	
LOCK POSITION	C	B	A	Emboss tape Package ORDER No. オーダー番号	極数 CIRCUIT

CONNECTOR SERIES No. 55560-***1

THIS DRAWING CONTAINS INFORMATION THAT IS PROPRIETARY TO MOLEX ELECTRONIC TECHNOLOGIES, LLC AND SHOULD NOT BE USED WITHOUT WRITTEN PERMISSION		CURRENT REV DESC: REVISED			
DIMENSION UNITS	SCALE				
mm	8:1			0.5 MM PITCH B-TO-B CONN. HEIGHT = 1.5 PLUG	
GENERAL TOLERANCES (UNLESS SPECIFIED)		GENERAL TOLERANCES (UNLESS SPECIFIED)		PRODUCT CUSTOMER DRAWING	
ANGULAR TOL ± °		ANGULAR TOL ± °		DOCUMENT NUMBER	
4 PLACES ±		4 PLACES ±		SD-55560-006	
3 PLACES ±		3 PLACES ±		DOC TYPE	
2 PLACES ±		2 PLACES ±		PSD	
1 PLACE ±		1 PLACE ±		DOC PART	
0 PLACES ±		0 PLACES ±		001	
ANGULAR+3°		ANGULAR+3°		REVISION	
DRAFT WHERE APPLICABLE MUST REMAIN WITHIN DIMENSIONS		DRAFT WHERE APPLICABLE MUST REMAIN WITHIN DIMENSIONS		M	
THIRD ANGLE PROJECTION		THIRD ANGLE PROJECTION		SHEET NUMBER	
DRAWING		DRAWING		1 OF 2	
SERIES		SERIES			
55560		55560			
MATERIAL NUMBER		MATERIAL NUMBER			
SEE TABLE		SEE TABLE			
CUSTOMER		CUSTOMER			
GENERAL		GENERAL			



嵌合相手 MATE WITH
54722-***4

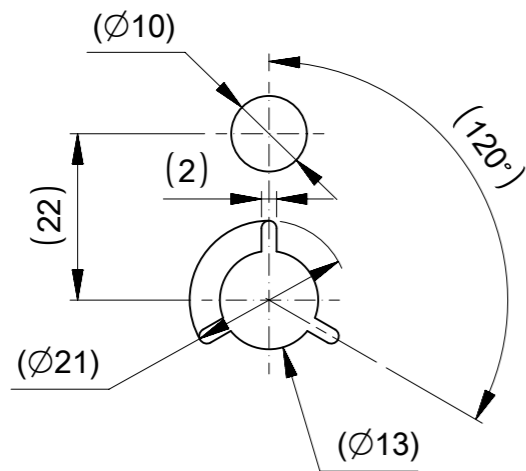
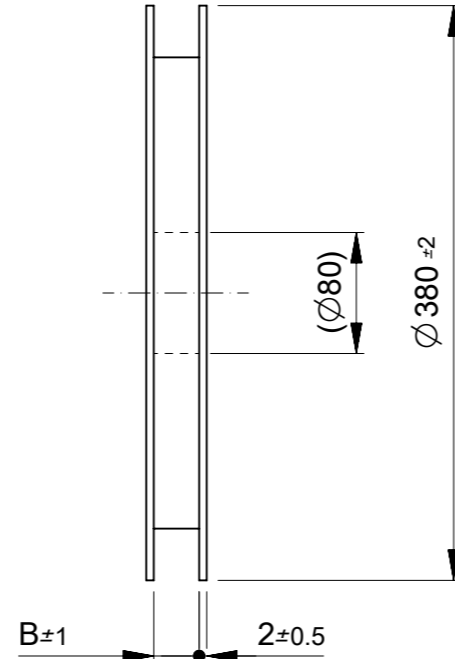
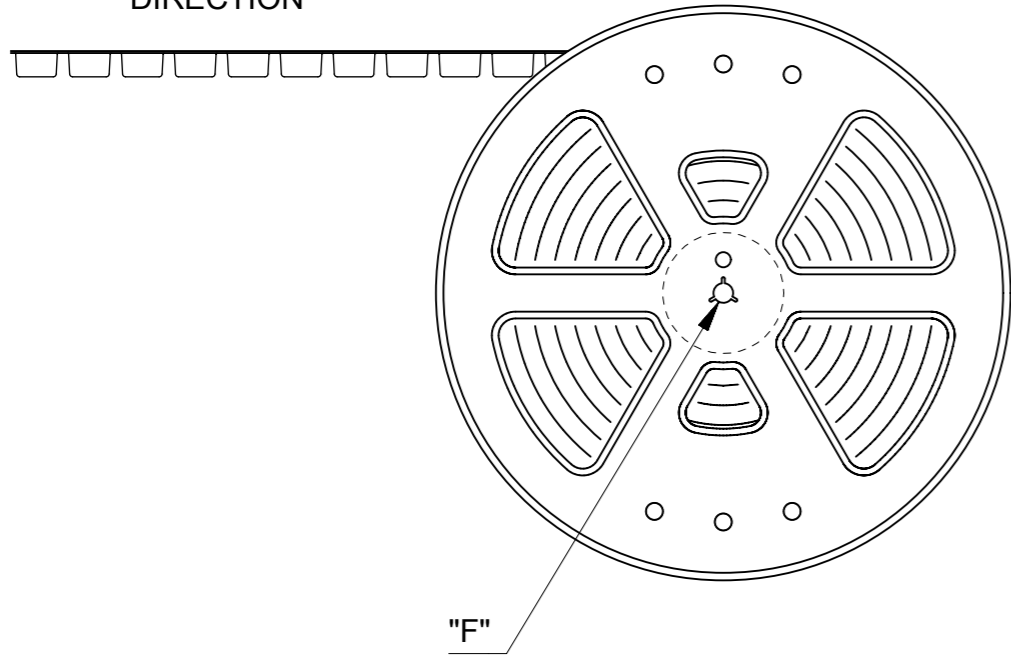
嵌合断面図 (参考)
MATED DRAWING (REF.)

注記 NOTES:

1. 使用材料 MATERIAL
 ウェハー : 液晶ポリマーガラス充填, UL94V-0 (黒)
 WAFER : LIQUID CRYSTRAL POLYMER
 (GLASS FILLED),UL94V-0 (COLOR:BLACK)
 ピン : 黄銅 (t=0.15)
 PIN : BRASS(t=0.15)
2. メッキ仕様 PLATING
 金メッキ 0.25 MICROMETER MINIMUM (コンタクト部)
 GOLD 0.25 MICROMETER MINIMUM (CONTACT AREA).
 金メッキ 0.4 MICROMETER MAXIMUM (テール部)
 GOLD 0.4 MICROMETER MAXIMUM (TAIL AREA).
 下地メッキ: ニッケルメッキ 1.5 MICROMETER MINIMUM
 UNDER PLATING : NICKEL 1.5 MICROMETER MINIMUM.
3. (全極数 / 2) = 偶数の場合に適用.
 APPLY FOR (CIRCUIT/2) = EVEN.
4. 嵌合相手 : 54722 シリーズ (嵌合高さ = 1.5mm)
 MATE WITH: 54722 SERIES.(HEIGHT=1.5mm)
5. テール平坦度は、0.1 MAXIMUM
 TAIL COPLANARITY TO BE 0.1 MAXIMUM.

THIS DRAWING CONTAINS INFORMATION THAT IS PROPRIETARY TO MOLEX ELECTRONIC TECHNOLOGIES, LLC AND SHOULD NOT BE USED WITHOUT WRITTEN PERMISSION		CURRENT REV DESC: REVISED		molex	
DIMENSION UNITS mm	SCALE 20:1	EC NO: 642297 DRWN: RMV02 CHK'D: HSHIMOYAMA APPR: SHOSHIKAWA			
GENERAL TOLERANCES (UNLESS SPECIFIED)		GENERAL TOLERANCES (UNLESS SPECIFIED)		PRODUCT CUSTOMER DRAWING	
10 ^{UNDER}	±0.2	4 PLACES	±	INITIAL REVISION:	DOCUMENT NUMBER
10 ^{OVER} 30 ^{UNDER}	±0.25	3 PLACES	±	DRWN: SAIHARA	SD-55560-006
30 ^{OVER}	±0.3	2 PLACES	±	APPR: MSASAO	PSD 001 M
ANGULAR±3°		1 PLACE	±	2020/07/21	DOC TYPE
DRAFT WHERE APPLICABLE MUST REMAIN WITHIN DIMENSIONS		0 PLACES	±	2020/11/30	DOC PART
DRAFT WHERE APPLICABLE MUST REMAIN WITHIN DIMENSIONS		THIRD ANGLE PROJECTION		SERIES	REVISION
		A3-SIZE		55560	2 OF 2
MATERIAL NUMBER		CUSTOMER		SHEET NUMBER	
SEE SHEET 1		GENERAL		2 OF 2	

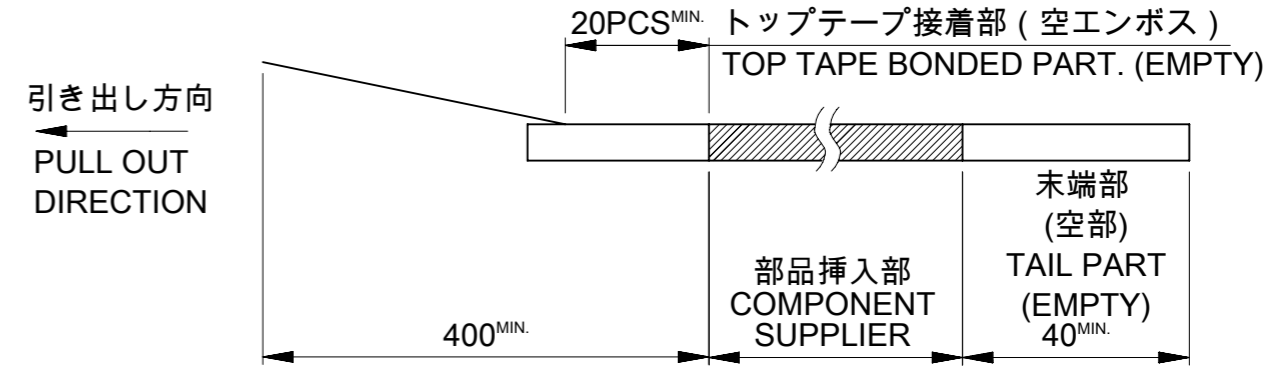
引き出し方向
PULL OUT
DIRECTION



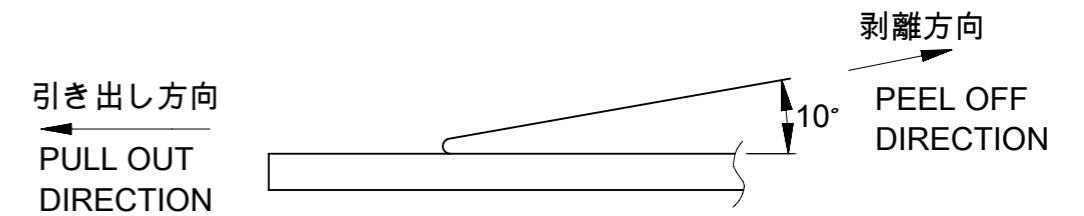
DETAIL "F"

NOTE

- 製品詳細寸法については図面 SD-55560-006 を参照下さい。
DETAIL DIMENSIONS, SEE SD-55560-006
- 梱包数量 : 3000個 / リール
NUMBER OF CONNECTORS : 3000PCS/REEL
- リードテープ長さ LEAD TAPE LENGTH



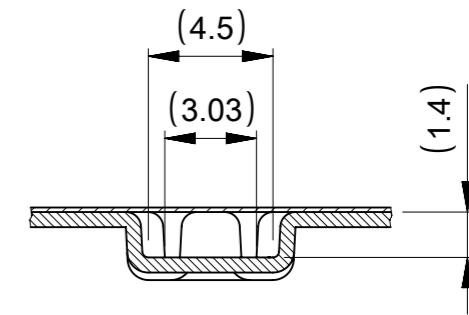
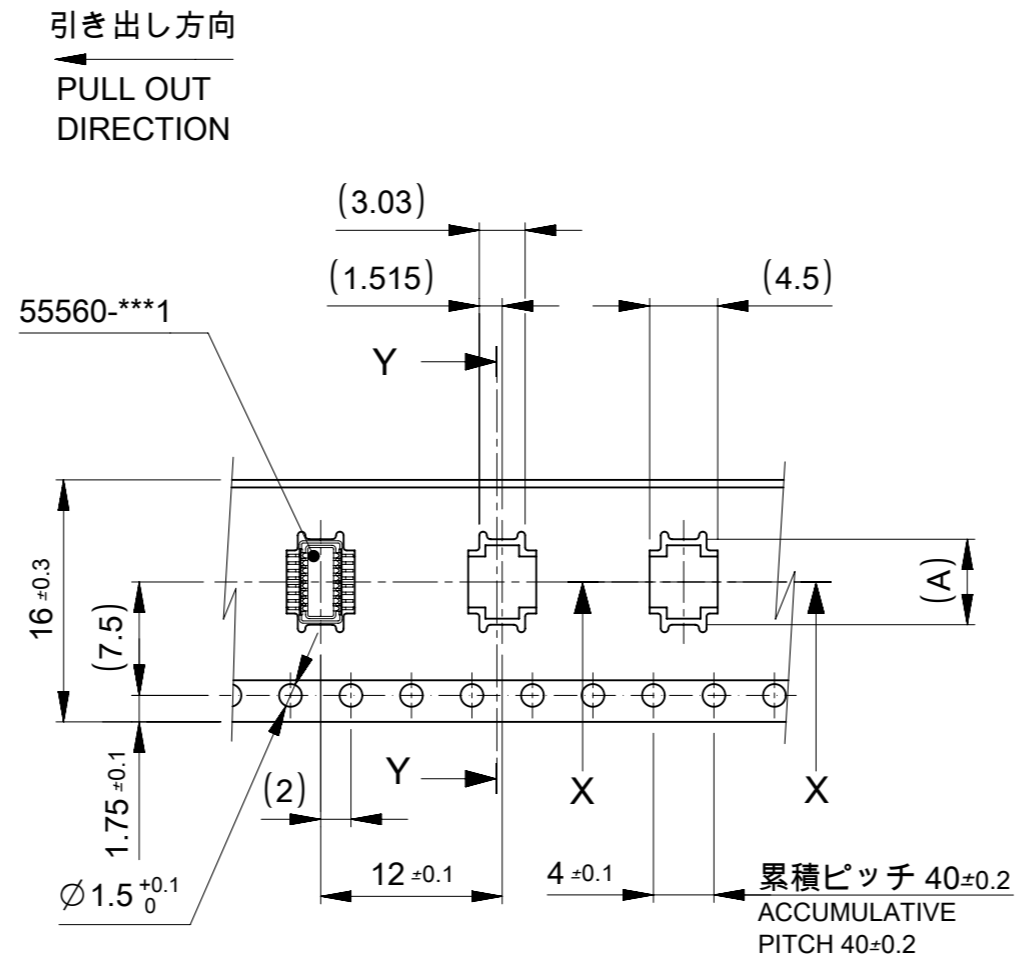
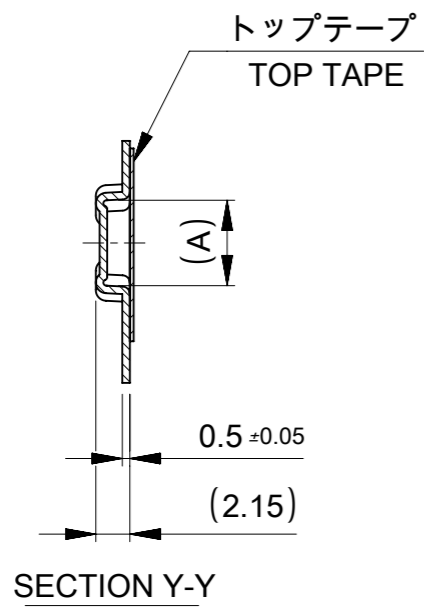
- トップテープの剥離強度 : 0.1N~0.7N(10.2gf~71.4gf)
(剥離方向は下図参照)
尚、本規格値は出荷時に適用。(但し、輸送時に剥離が発生しないこと.)
PEELING OFF FORCE OF TOP TAPE : 0.1N~0.7N(10.2gf~71.4gf)
(PEELING DIRECTION AS SHOWN IN FOLLOWING FIG.)
THIS REQUIREMENT SHOULD BE APPLIED AT SHIPMENT.
PEEL OFF SHOULD NOT BE ALLOWED, DURING TRANSPORTATION.



- 材料 キャリアテープ : ポリプロピレン (PP)
トップテープ : PET,PE,PEF
リール : ポリスチレン (PS) <リサイクル材を含む>
MATERIAL CARRIER TAPE : POLYPROPYLENE
TOP TAPE : PET,PE,PEF
REEL : POLYSTYRENE(PS)
< RECYCLE MATERIAL CONTAINED >

THIS DRAWING CONTAINS INFORMATION THAT IS PROPRIETARY TO MOLEX ELECTRONIC TECHNOLOGIES, LLC AND SHOULD NOT BE USED WITHOUT WRITTEN PERMISSION

DIMENSION UNITS		SCALE		CURRENT REV DESC: REVISED				molex				
mm		NTS										
GENERAL TOLERANCES (UNLESS SPECIFIED)				GENERAL TOLERANCES (UNLESS SPECIFIED)				0.5 MM PITCH B-TO-B CONN. HEIGHT = 1.5 PLUG EMBOSS TAPE PACKAGE				
ANGULAR TOL		±		ANGULAR TOL ±				EC NO: 642297				
4 PLACES		±		4 PLACES ±				DRWN: SCV 2020/07/27				
10 ^{UNDER}		±0.2		3 PLACES ±				CHK'D: HSHIMOMYAMA 2020/11/30				
10 ^{OVER} 30 ^{UNDER}		±0.25		2 PLACES ±				APPR: SHOSHIKAWA 2020/11/30				
30 ^{OVER}		±0.3		1 PLACE ±				INITIAL REVISION:				
ANGULAR+3°		±		0 PLACES ±				DRWN: S.AIHARA 2000/10/06				
DRAFT WHERE APPLICABLE MUST REMAIN WITHIN DIMENSIONS		DRAFT WHERE APPLICABLE MUST REMAIN WITHIN DIMENSIONS		THIRD ANGLE PROJECTION		DRAWING		SERIES		MATERIAL NUMBER	CUSTOMER	SHEET NUMBER
				A3-SIZE		55560		SEE SHEET 2-5	GENERAL	1 OF 5		

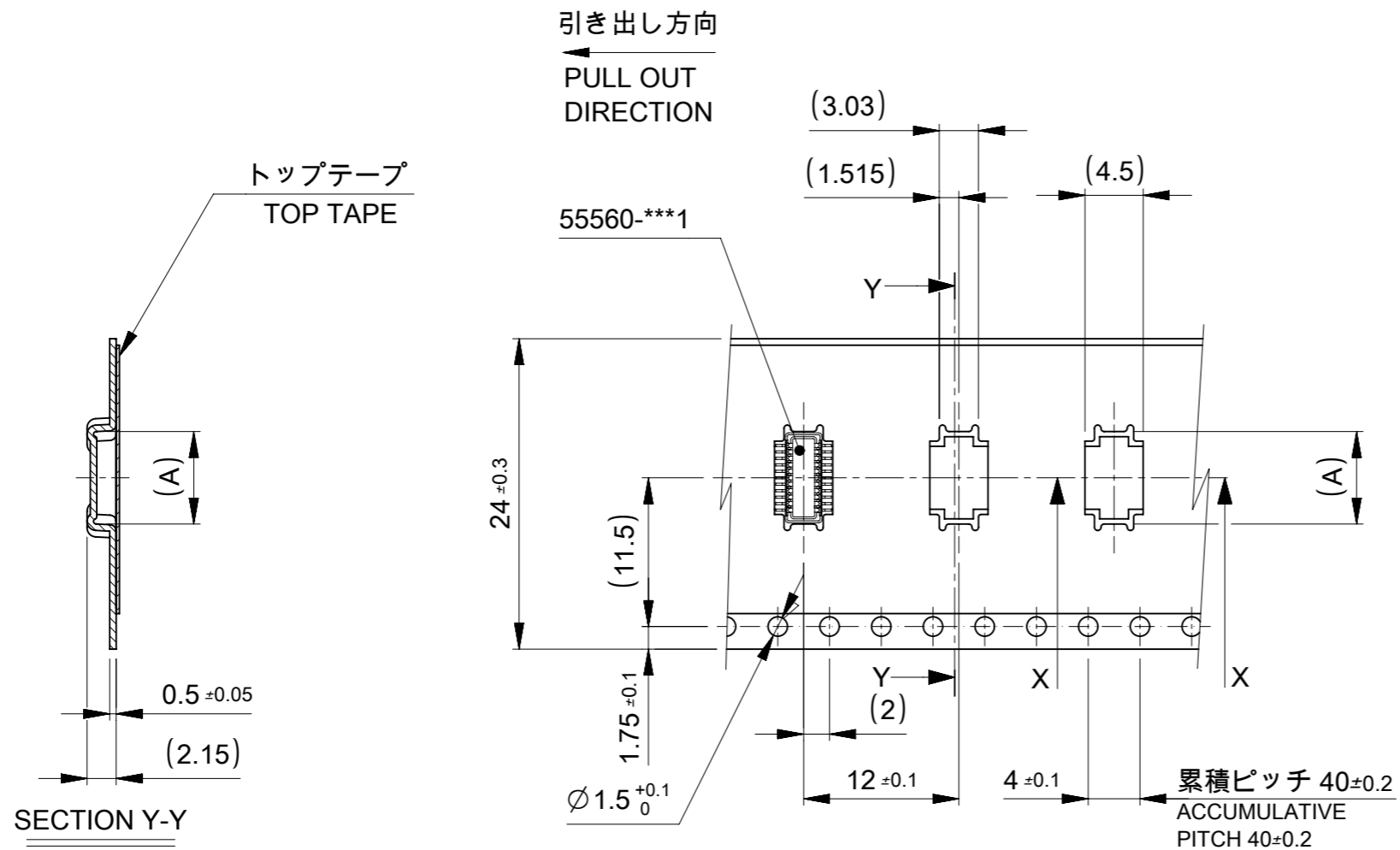


16 mm幅キャリアテープ
16mm WIDTH CARRIER TAPE

PRE-RELEASE
REFERENCE
USE ONLY

16	17.5	6.65	55560-0207	20
キャリアテープ幅 CARRIER TAPE WIDTH	B	(A)	MATERIAL NO.	極数 CIRCUIT

THIS DRAWING CONTAINS INFORMATION THAT IS PROPRIETARY TO MOLEX ELECTRONIC TECHNOLOGIES, LLC AND SHOULD NOT BE USED WITHOUT WRITTEN PERMISSION		CURRENT REV DESC: REVISED		molex	
DIMENSION UNITS mm	SCALE NTS				
GENERAL TOLERANCES (UNLESS SPECIFIED)		GENERAL TOLERANCES (UNLESS SPECIFIED)		0.5 MM PITCH B-TO-B CONN. HEIGHT = 1.5 PLUG EMBOSS TAPE PACKAGE	
ANGULAR TOL ± °		ANGULAR TOL ± °		PRODUCT CUSTOMER DRAWING	
4 PLACES ±		4 PLACES ±		DOCUMENT NUMBER	
3 PLACES ±		3 PLACES ±		SD-55560-007	
2 PLACES ±		2 PLACES ±		DOC TYPE	
1 PLACE ±		1 PLACE ±		PSD	
0 PLACES ±		0 PLACES ±		DOC PART	
ANGULAR+3°		ANGULAR+3°		001	
DRAFT WHERE APPLICABLE MUST REMAIN WITHIN DIMENSIONS		DRAFT WHERE APPLICABLE MUST REMAIN WITHIN DIMENSIONS		REVISION	
		THIRD ANGLE PROJECTION		L	
		DRAWING		SHEET NUMBER	
		A3-SIZE		2 OF 5	
		SERIES		MATERIAL NUMBER	
		55560		SEE TABLE	
		CUSTOMER		GENERAL	



24 mm幅キャリアテープ
24mm WIDTH CARRIER TAPE

PRE-RELEASE
REFERENCE
USE ONLY

24	25.5	14.15	55560-0507	50	
		11.65	55560-0407	40	
		10.65	55560-0367	36	
		10.15	55560-0347	34	
		9.15	55560-0307	30	
		7.65	55560-0247	24	
		7.15	55560-0227	22	
キャリアテープ幅 CARRIER TAPE WIDTH		B	(A)	MATERIAL NO.	極数 CIRCUIT

THIS DRAWING CONTAINS INFORMATION THAT IS PROPRIETARY TO MOLEX ELECTRONIC TECHNOLOGIES, LLC AND SHOULD NOT BE USED WITHOUT WRITTEN PERMISSION

CURRENT REV DESC: REVISED

molex

0.5 MM PITCH B-TO-B CONN.
HEIGHT = 1.5 PLUG EMBOSS TAPE PACKAGE

PRODUCT CUSTOMER DRAWING

EC NO: 642297
DRWN: SCV
CHK'D: HSHIMUYAMA
APPR: SHOSHIKAWA

INITIAL REVISION:
DRWN: S.AIHARA
APPR: M.FUKUSHIMA

2020/07/27
2020/11/30
2020/11/30

2000/11/28
2001/01/30

DOCUMENT NUMBER: SD-55560-007
DOC TYPE: PSD
DOC PART: 001
REVISION: L

DIMENSION UNITS: mm
SCALE: NTS

GENERAL TOLERANCES (UNLESS SPECIFIED)

10 ^{UNDER}	±0.2
10 ^{OVER} 30 ^{UNDER}	±0.25
30 ^{OVER}	±0.3

ANGULAR TOL ± °

4 PLACES	±
3 PLACES	±
2 PLACES	±
1 PLACE	±
0 PLACES	±

DRAFT WHERE APPLICABLE MUST REMAIN WITHIN DIMENSIONS

THIRD ANGLE PROJECTION

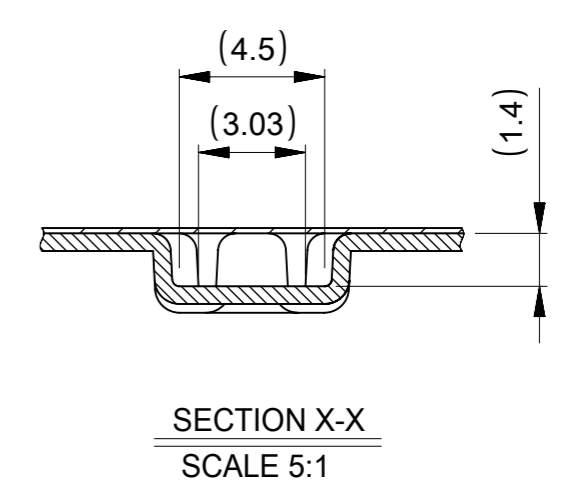
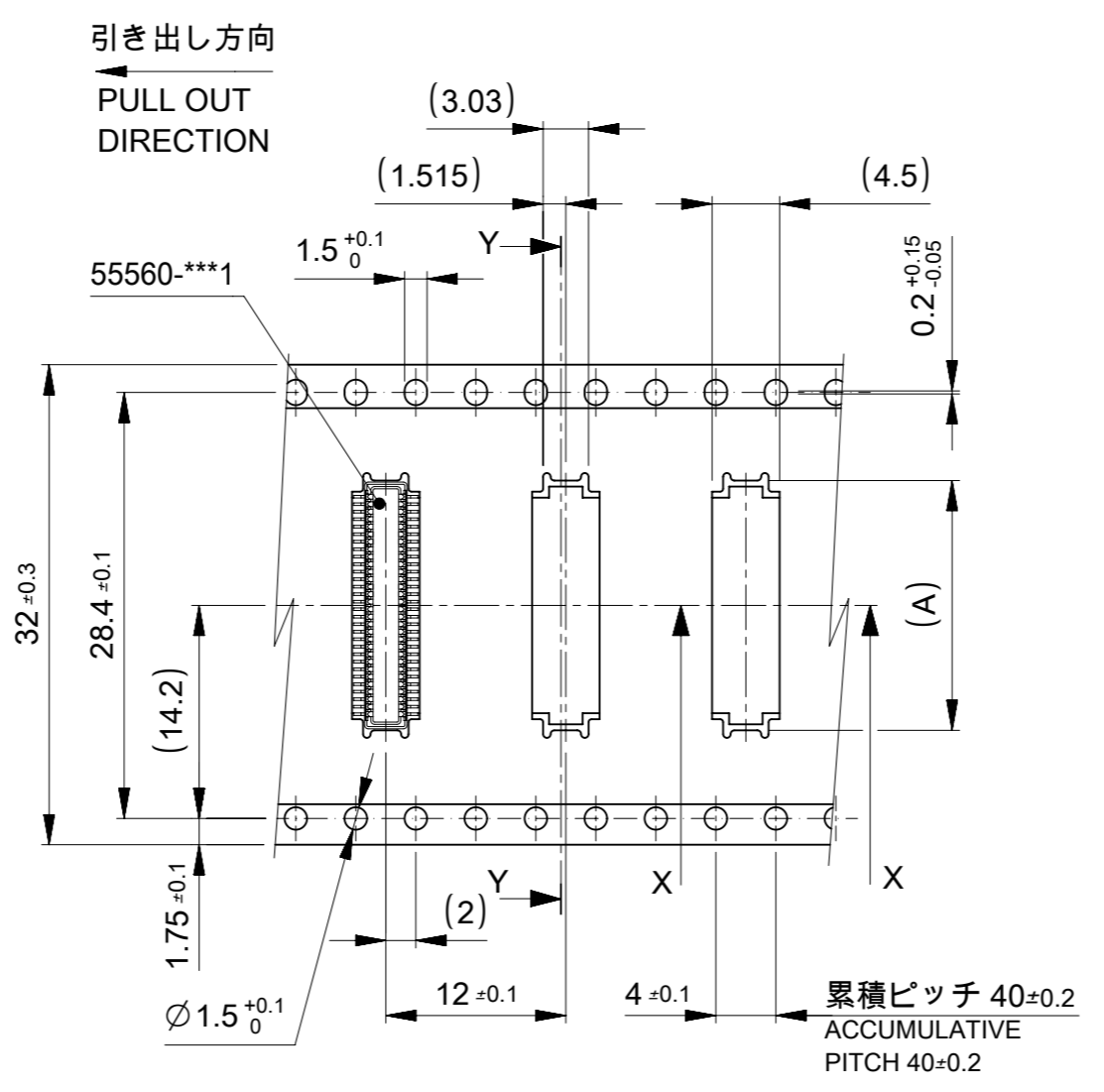
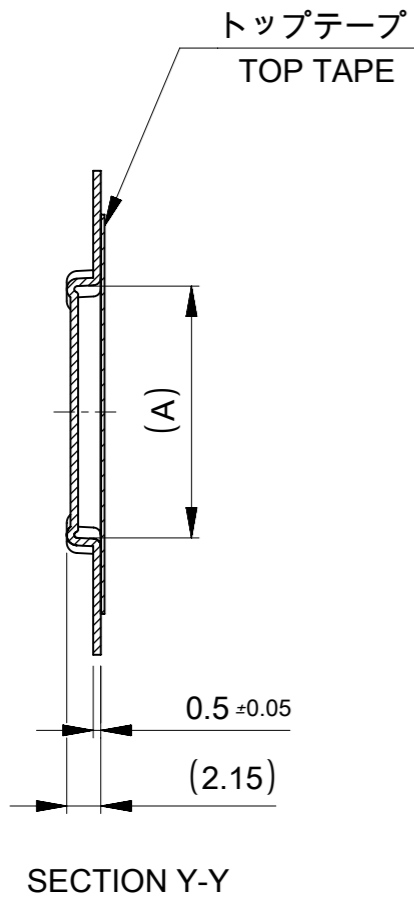
DRAWING: A3-SIZE

SERIES: 55560

MATERIAL NUMBER: SEE TABLE

CUSTOMER: GENERAL

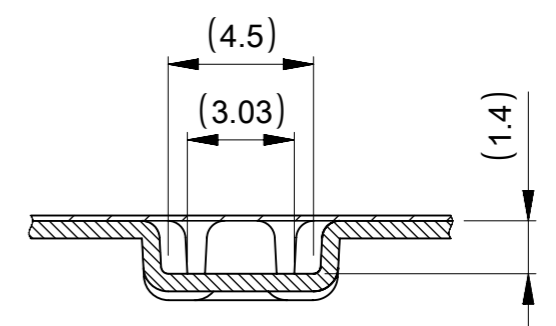
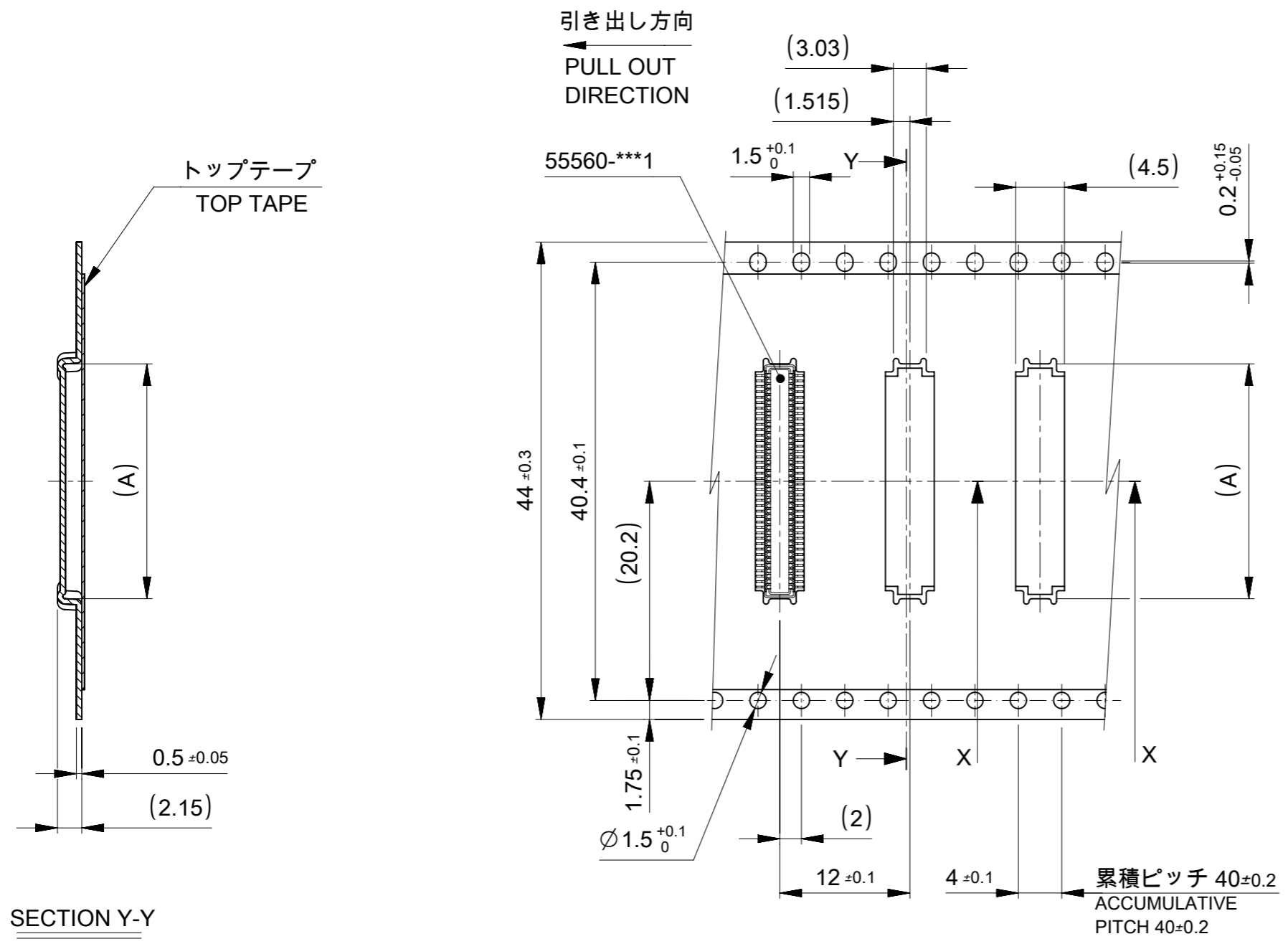
SHEET NUMBER: 3 OF 5



32 mm幅キャリアテープ
32mm WIDTH CARRIER TAPE

32	33.5	16.65	55560-0607	60
キャリアテープ幅 CARRIER TAPE WIDTH		B	(A) MATERIAL NO.	極数 CIRCUIT

THIS DRAWING CONTAINS INFORMATION THAT IS PROPRIETARY TO MOLEX ELECTRONIC TECHNOLOGIES, LLC AND SHOULD NOT BE USED WITHOUT WRITTEN PERMISSION		CURRENT REV DESC: REVISED		molex	
DIMENSION UNITS	SCALE	EC NO: 642297			
mm	NTS	DRWN: SCV		2020/07/27	
GENERAL TOLERANCES (UNLESS SPECIFIED)		CHK'D: HSHIMUYAMA		2020/11/30	
ANGULAR TOL ± °		APPR: SHOSHIKAWA		2020/11/30	
4 PLACES ±	3 PLACES ±	INITIAL REVISION:		DOCUMENT NUMBER	
10 ^{UNDER} ±0.2	3 PLACES ±	DRWN: S.AIHARA		SD-55560-007	
10 ^{OVER} ±0.25	2 PLACES ±	APPR: M.SASAO		PSD 001 L	
30 ^{OVER} ±0.3	1 PLACE ±	2000/10/06		SERIES	
ANGULAR+3°	0 PLACES ±	2003/03/31		55560	
DRAFT WHERE APPLICABLE MUST REMAIN WITHIN DIMENSIONS	DRAFT WHERE APPLICABLE MUST REMAIN WITHIN DIMENSIONS	THIRD ANGLE PROJECTION	DRAWING	MATERIAL NUMBER	CUSTOMER
			A3-SIZE	SEE TABLE	GENERAL
				SHEET NUMBER	4 OF 5



SECTION X-X
SCALE 5:1

44 mm幅キャリアテープ
44mm WIDTH CARRIER TAPE

44	45.5	21.65	55560-0807	80
キャリアテープ幅 CARRIER TAPE WIDTH		B	(A)	極数 CIRCUIT

THIS DRAWING CONTAINS INFORMATION THAT IS PROPRIETARY TO MOLEX ELECTRONIC TECHNOLOGIES, LLC AND SHOULD NOT BE USED WITHOUT WRITTEN PERMISSION		CURRENT REV DESC: REVISED		molex	
DIMENSION UNITS	SCALE	EC NO: 642297			
mm	NTS	DRWN: SCV		2020/07/27	
GENERAL TOLERANCES (UNLESS SPECIFIED)		CHK'D: HSHIMUYAMA		2020/11/30	
ANGULAR TOL ± °		APPR: SHOSHIKAWA		2020/11/30	
4 PLACES ±		INITIAL REVISION:		DOCUMENT NUMBER	
3 PLACES ±		DRWN: S.AIHARA		SD-55560-007	
2 PLACES ±		APPR: M.SASAO		DOC TYPE	
1 PLACE ±		2000/10/06		PSD	
0 PLACES ±		2003/03/31		DOC PART	
DRAFT WHERE APPLICABLE MUST REMAIN WITHIN DIMENSIONS		THIRD ANGLE PROJECTION		REVISION	
DRAFT WHERE APPLICABLE MUST REMAIN WITHIN DIMENSIONS		DRAWING		L	
		SERIES		SHEET NUMBER	
		A3-SIZE		5 OF 5	
		55560			
		MATERIAL NUMBER			
		SEE TABLE			
		CUSTOMER			
		GENERAL			

单击下面可查看定价，库存，交付和生命周期等信息

[>>MOLEX](#)