

1. 製品名称 : 2.0mm PITCH W/B CONN. REC. HS'G
 PRODUCT NAME: 2.0mm PITCH W/B CONN. REC. HS'G
 製品番号 : 502351- * * 0 *
 PRODUCT NUMBER: 502351- * * 0 *

2. 標準梱包数
 STANDARD PACKAGING QUANTITY

極数 CKT.	ポリ袋 PLASTIC BAG		内装カートン INNER CARTON [47799-1005]		外装カートン SHIPPING CARTON [47799-1038]
	ポリ袋型番 PRODUCT NO.	1袋中の 製品数 QUANTITY	ポリ袋の数 NUMBER OF PLASTIC BAG	製品数 QUANTITY	製品数 QUANTITY
2	47799-5003	1,000	15	15,000	30,000
3	47799-5003	1,000	12	12,000	24,000
4	47799-5003	1,000	12	12,000	24,000
5	47799-5003	500	15	7,500	15,000
6	47799-5003	500	15	7,500	15,000
7	47799-5003	500	15	7,500	15,000
8	47799-5003	500	15	7,500	15,000
9	47799-5003	500	10	5,000	10,000
10	47799-5003	500	10	5,000	10,000
11	47799-5003	500	10	5,000	10,000
12	47799-5003	500	10	5,000	10,000
13	47799-5003	500	9	4,500	9,000
14	47799-5003	500	9	4,500	9,000
15	47799-5003	500	9	4,500	9,000

REV.	A	B	C	D															
SHEET	1-2	1-3	1-3	1-2															
REVISE ON PC ONLY						TITLE:													
D	REVISED JTR2014-0090 2014/04/30 Y.TAMAKI				502351梱包仕様書 PACKAGING SPEC. FOR 502351														
	THIS DOCUMENT CONTAINS INFORMATION THAT IS PROPRIETARY TO INC. AND SHOULD NOT BE USED WITHOUT WRITTEN PERMISSION																		
REV.	DESCRIPTION				WRITTEN BY: SH.SHIBATA	CHECKED BY: H.KOMATSU	APPROVED BY: MA.YAMAMOTO	DATE: YR/MO/DAY 2007/11/19											
DESIGN CONTROL JTR					STATUS		DOCUMENT NUMBER PK-502351-001											FILE NAME PK502351001.DOC	SHEET 1 OF 2

[注記] NOTES

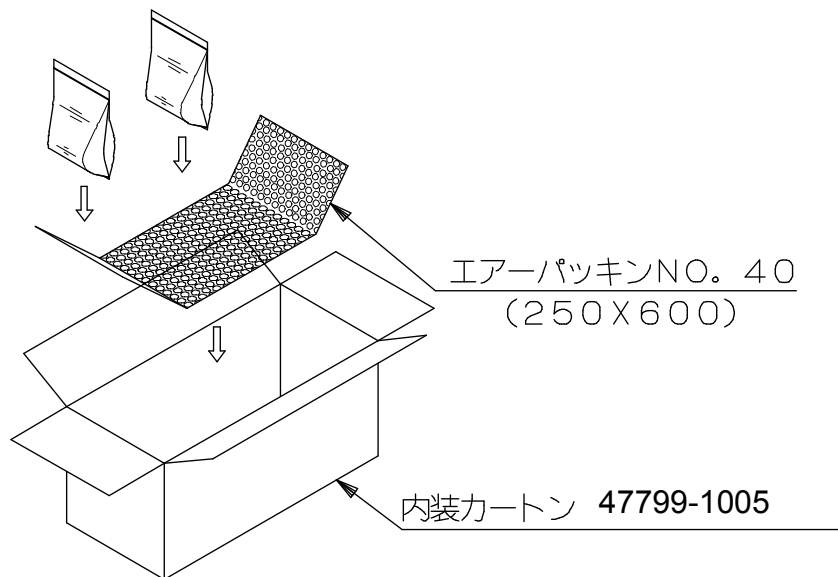
1) 内装カートン[47799-1005]への梱包
PACKAGE TO INNER CARTON [47799-1005]

下図の様にエアークッションNo.40 (250×600)を敷き、ポリ袋梱包された製品を規定数入れる。

製品がガタつくときはエアークッションを上部にも入れガタつかない様にする。

As shown in the following figure, place bubble paper No.40 (250 x 600), put the appropriate number of product in plastic bag packaging.

If the product shakes, place bubble paper to top and the product is kept from shaking.



3. 各梱包材に関しては「化学物質ガイドライン」を満足すること。
About each packaging material, must meet the “chemical substance guideline”.

D	REVISE ON PC ONLY	TITLE: 502351梱包仕様書 PACKAGING SPEC. FOR 502351	
	SEE SHEET 1 OF 2		THIS DOCUMENT CONTAINS INFORMATION THAT IS PROPRIETARY TO INC. AND MUST NOT BE USED WITHOUT WRITTEN PERMISSION
	REV.	DESCRIPTION	
DOCUMENT NUMBER PK-502351-001		FILE NAME PK502351001.DOC	SHEET 2 OF 2

单击下面可查看定价，库存，交付和生命周期等信息

[>>MOLEX](#)