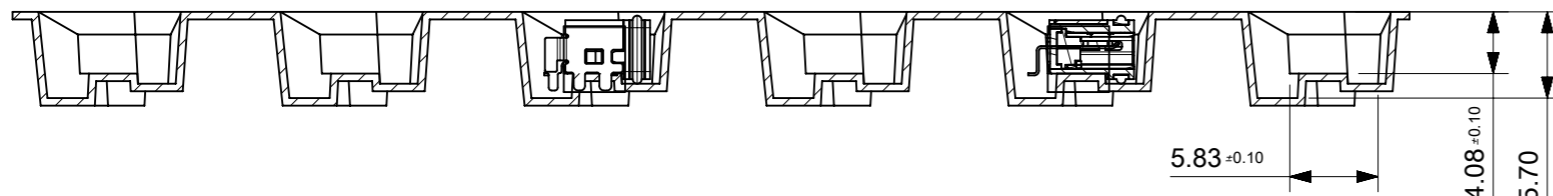


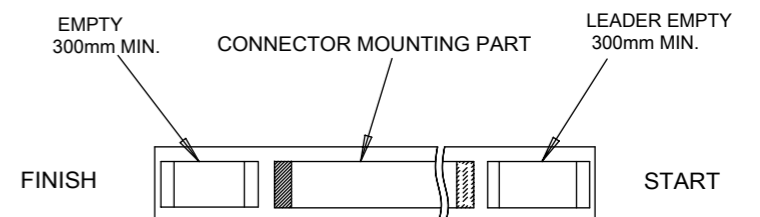
SECTION B-B

REEL



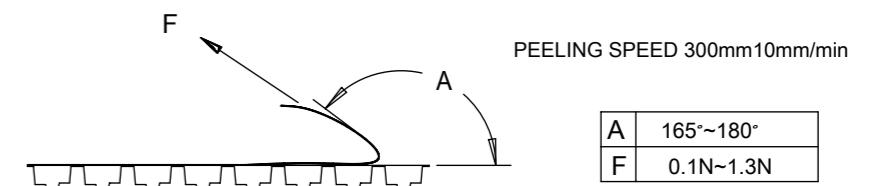
SECTION A-A

USER DIRECTION OF FEED



USER DIRECTION OF FEED

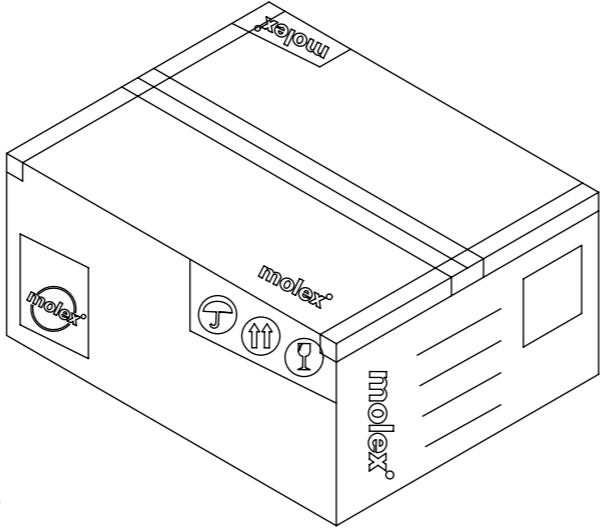
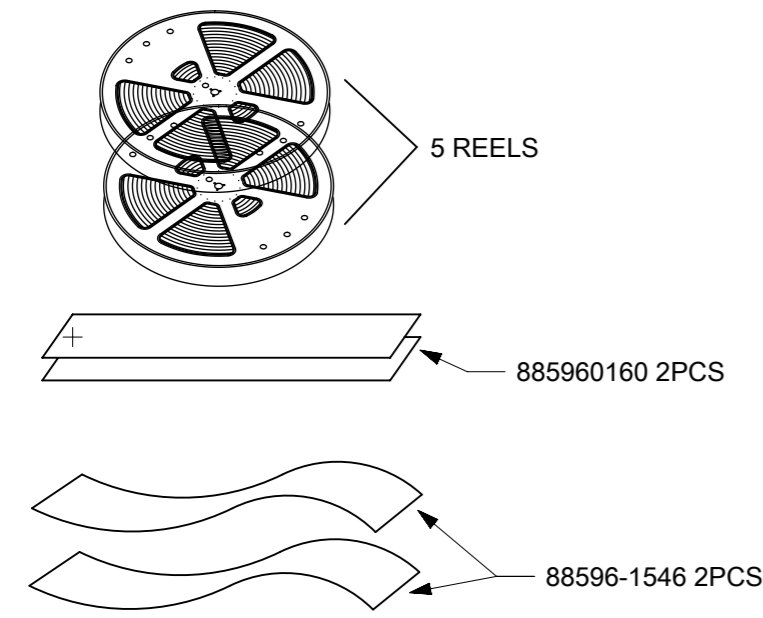
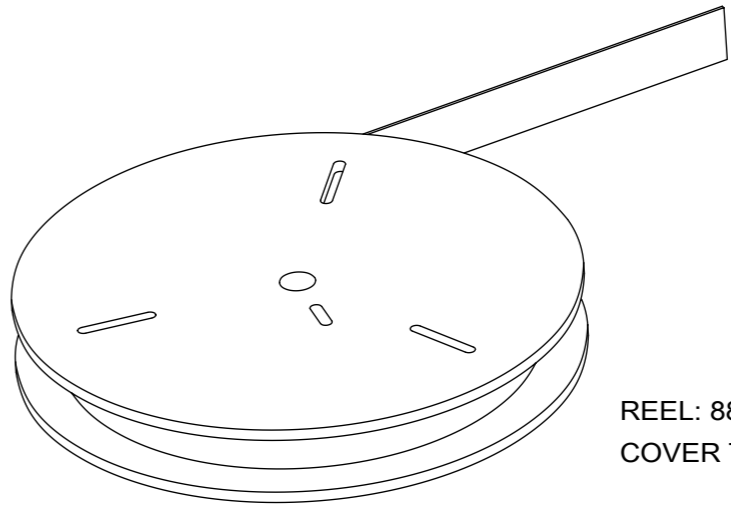
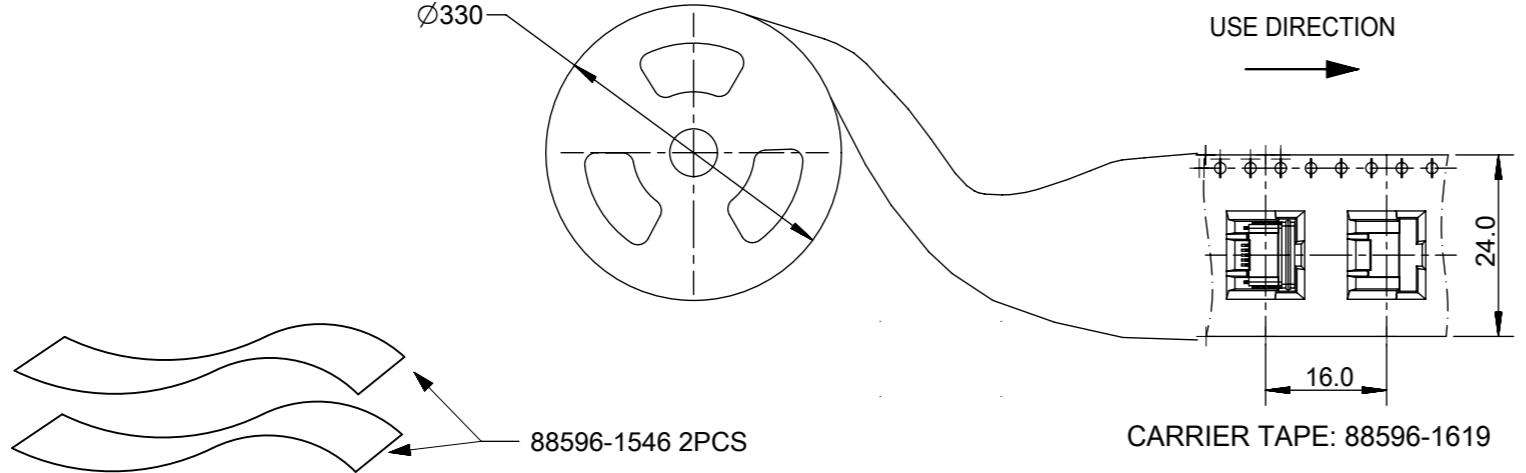
Cover Tape peeling force



NOTES:

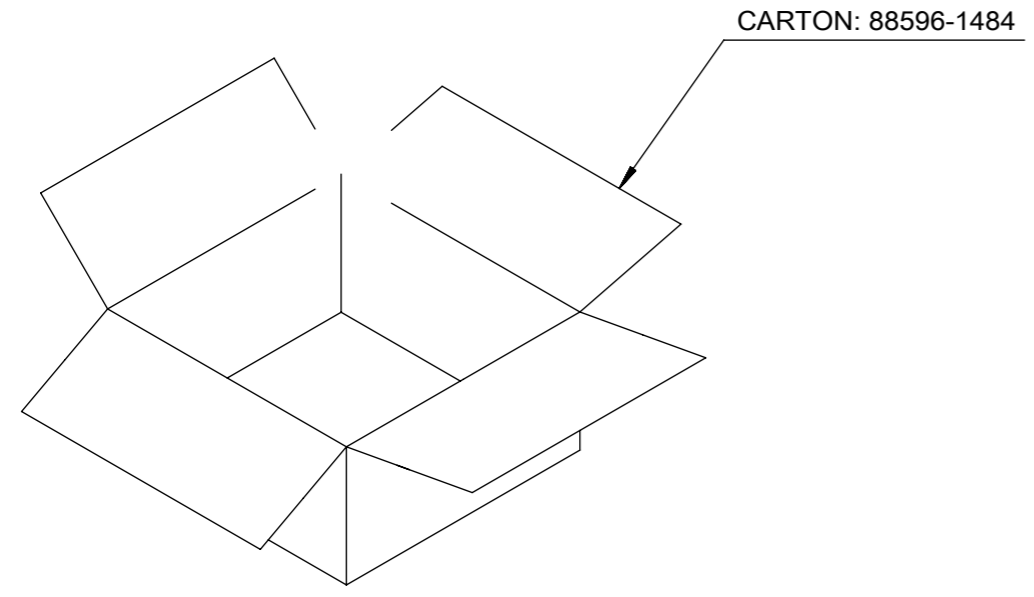
1. MATERIAL: 0.50±0.05mm PS/CLEAR.
2. GENERAL TOLERANCE: ±0.20mm UNLESS OTHERWISE STATED.
3. DRAFT ANGLE: 5° MAXIMUM TYP.
4. UNLESS OTHERWISE SPECIFIED RADIUS: 0.30mm MAXIMUM.
5. MAXIMUM CUMULATIVE TOLERANCE FOR 10 SOCKETS HOLE PITCH: ±0.20mm.
6. NO HIT MARKS, BRIDGES AND CRACKS ALLOWED.
7. CAMBERS DON'T EXCEED 1.0mm IN 250mm.
8. CARRIER TAPE PART NUMBER: 88596-1619.
9. COMPLIANT TO RoHS DIRECTIVE 2011/65/EU AND ELV 2000/53/EC.

THIS DRAWING CONTAINS INFORMATION THAT IS PROPRIETARY TO MOLEX ELECTRONIC TECHNOLOGIES, LLC AND SHOULD NOT BE USED WITHOUT WRITTEN PERMISSION											
QUALITY SYMBOLS	2018/02/05 2018/02/07 2018/02/07	GENERAL TOLERANCES (UNLESS SPECIFIED)		DIMENSION UNITS	SCALE						
		ANGULAR TOL ± 3.0 °		mm	2:1						
▽A = 0	EC NO: 171707 DRWN: TLI97 CHK'D: RZHANG APPR: RZHANG	4 PLACES ±	DRAFT WHERE APPLICABLE MUST REMAIN WITHIN DIMENSIONS	DRWN BY	DATE	PACKAGING DRAWING FOR USB, MICRO-B WATER PROOF PACKAGING DESIGN DRAWING					
▽E = 0		3 PLACES ±		TLI97	2017/06/14						
▽F = 0		2 PLACES ± 0.2		CHK'D BY	DATE						
▽ = 0		1 PLACE ± 0.25		RZHANG	2017/08/01						
▽ = 0		0 PLACES ±		APPR BY	DATE						
▽ = 0				DRAWING SIZE	THIRD ANGLE PROJECTION						
▽ = 0	B		A3	SERIES: 204926 MATERIAL NUMBER: SEE TABLE CUSTOMER: GENERAL MARKET		DOCUMENT NUMBER: 2049263333 DOC TYPE: PDD DOC PART: 000 SHEET NUMBER: 1 OF 2					



- NOTES:
1. QUANTITY: 700PCS/REEL.
 2. 5 REELS IN A CARTON.
 3. COMPLIANT TO RoHS DIRECTIVE 2011/65/EU AND ELV 2000/53/EC.

204926-1104	3,500PCS	700PCS	5
204926-1103	3,500PCS	700PCS	5
PART NUMBER	PARTS PER SHIPPING CARTON (S.P.Q)	PARTS PER REEL	TOTAL REELS PER CARTON



QUALITY SYMBOLS A = 0 E = 0 EP = 0 ▼ = 0 C = 0 ⊗ = 0 ■ = 0 ▽ = 0	THIS DRAWING CONTAINS INFORMATION THAT IS PROPRIETARY TO MOLEX ELECTRONIC TECHNOLOGIES, LLC AND SHOULD NOT BE USED WITHOUT WRITTEN PERMISSION		DIMENSION UNITS: mm SCALE: 1:1					
	EC NO: 171707 DRWN: TL197 CHK'D: RZHANG APPR: RZHANG	2018/02/05 2018/02/07 2018/02/07	GENERAL TOLERANCES (UNLESS SPECIFIED) ANGULAR TOL ± 3.0 ° 4 PLACES ± 3 PLACES ± 2 PLACES ± 0.2 1 PLACE ± 0.25 0 PLACES ±					DRWN BY: TL197 DATE: 2017/06/14 CHK'D BY: RZHANG DATE: 2017/08/01
DRAFT WHERE APPLICABLE MUST REMAIN WITHIN DIMENSIONS		DRAWING SIZE: A3 THIRD ANGLE PROJECTION		SERIES: 204926 MATERIAL NUMBER: SEE TABLE CUSTOMER: GENERAL MARKET				
B		REV: 3		DOCUMENT NUMBER: 2049263333 DOC TYPE: PDD DOC PART: 000 SHEET NUMBER: 2 OF 2				

单击下面可查看定价，库存，交付和生命周期等信息

[>>MOLEX](#)