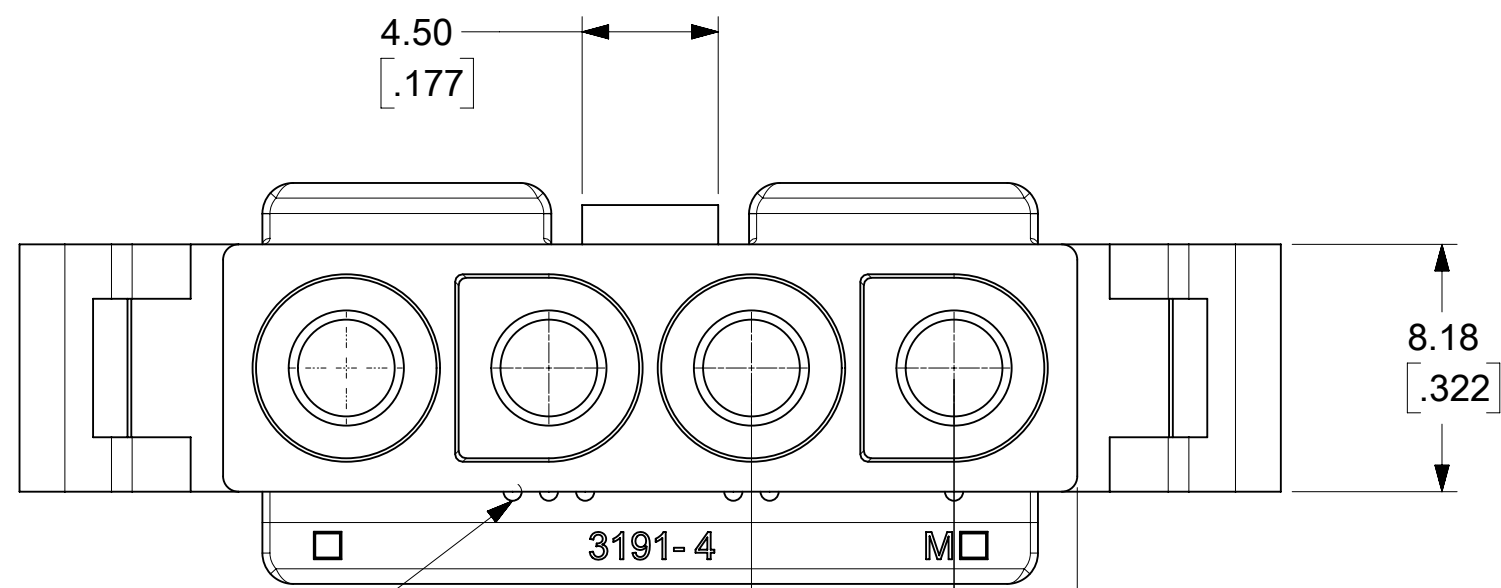


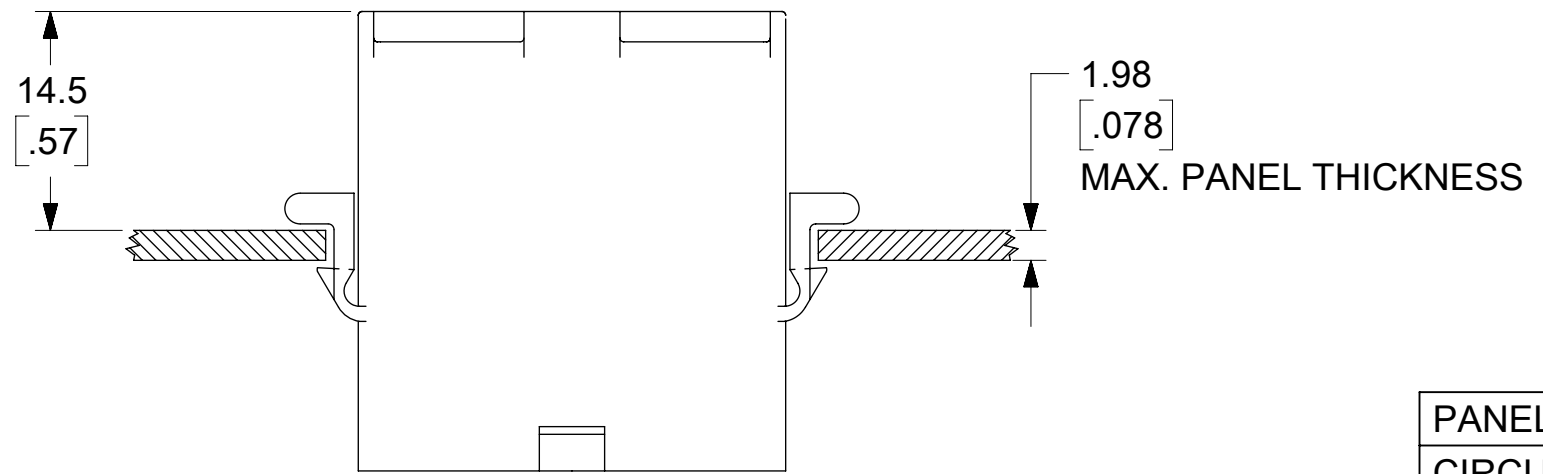
(SHOWN WITH OPTIONAL MOUNTING EARS)

PLUG

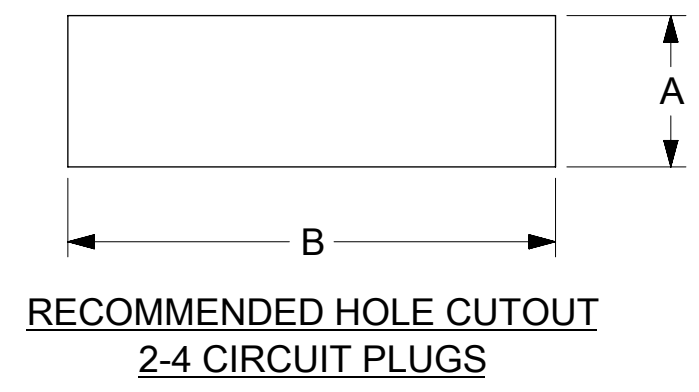


CIRCUIT I.D. RIBS

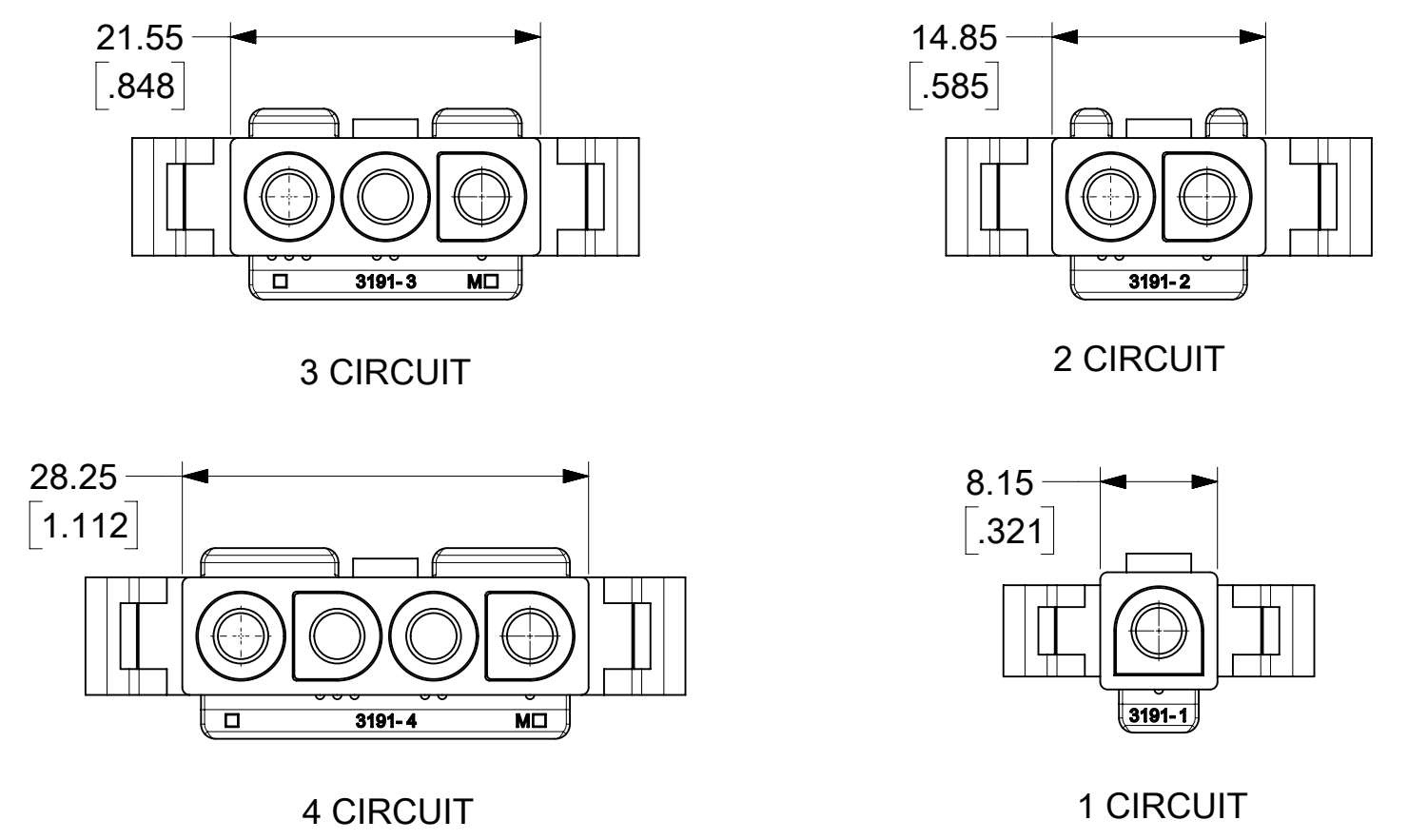
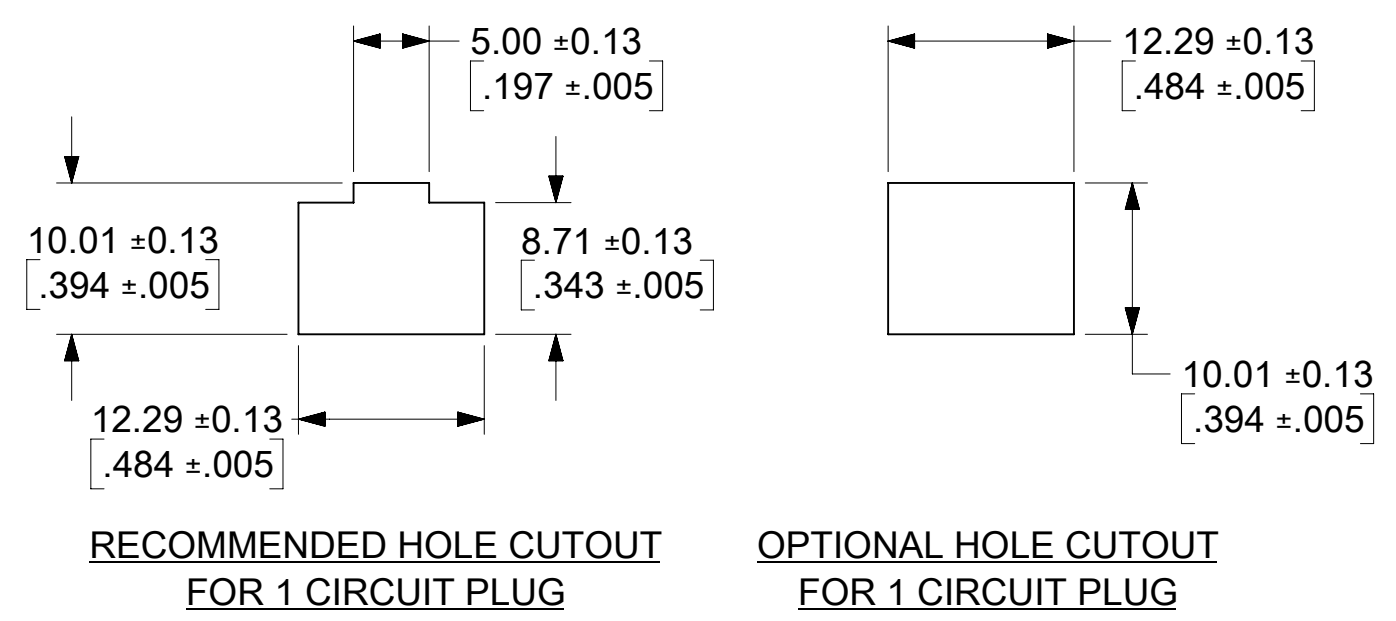
| | | | | |
|--|---|--|------------|--|
| FUNCTIONAL SYMBOLS | THIS DRAWING CONTAINS INFORMATION THAT IS PROPRIETARY TO MOLEX ELECTRONIC TECHNOLOGIES, LLC AND SHOULD NOT BE USED WITHOUT WRITTEN PERMISSION | | | |
| | DIMENSION UNITS | SCALE | | CURRENT REV DESC: RELEASED |
| $F_A = 0$ | MM/INCH | 4:1 | | EC NO: 643927 DRWN: MKIPPER CHK'D: MKIPPER APPR: FSMITH INITIAL REVISION: DRWN: MKIPPER APPR: FSMITH |
| $F_C = 0$ | GENERAL TOLERANCES (UNLESS SPECIFIED) | | | |
| $F_P = 0$ | | MM | INCH | |
| DIVISIONAL SYMBOLS | 4 PLACES | ± | ± | |
| | 3 PLACES | ± | ± 0.01 | |
| | 2 PLACES | ± 0.25 | ± 0.015 | |
| | 1 PLACE | ± 0.38 | ± | |
| | 0 PLACES | ± | ± | |
| | ANGULAR TOL | ± ° | | |
| DRAFT WHERE APPLICABLE MUST REMAIN WITHIN DIMENSIONS | | THIRD ANGLE PROJECTION | DRAWING | SERIES |
| | | | C-SIZE | 3191 |
| DOCUMENT STATUS | | RELEASE DATE | 2022/10/14 | 17:29:15 |
| P1 | | Downloaded From Onevac.com | | |
| DOCUMENT NUMBER | | CUSTOMER | DOC TYPE | DOC PART |
| 31910000-SD | | GENERAL MARKET | PSD | 000 |
| MATERIAL NUMBER | | CUSTOMER | DOC PART | REVISION |
| SEE CHARTS | | GENERAL MARKET | 000 | A |
| SHEET NUMBER | | 1 OF 4 | | |



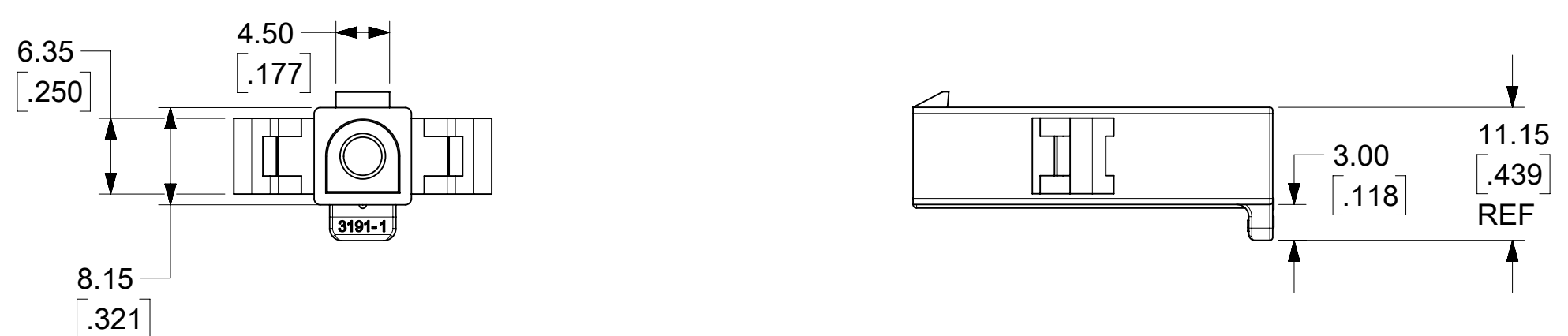
| PANEL HOLE CUTOUT DIMENSIONS | | |
|------------------------------|---------------------------|----------------------------|
| CIRCUITS | DIM. "A" | DIM. "B" |
| 2 | 9.27 ±0.13 .365 ±.005 | 20.32 ±0.13 .800 ±.005 |
| 3 | 10.01 ±0.13 .394 ±.005 | 25.91 ±0.13 1.020 ±.005 |
| 4 | 10.01 ±0.13 .394 ±.005 | 32.26 ±0.13 1.270 ±.005 |



| CIRCUITS | PART NO. | ENG. NO. | MATERIAL | COLOR | MOUNTING EARS | PACKAGING |
|----------|------------|--------------|----------|---------|---------------|-------------|
| 1 | 19-09-2018 | 3191-1P | UL94V-2 | NATURAL | YES | 31910002-PK |
| | 19-09-2019 | 3191-1P1 | UL94V-2 | NATURAL | NO | 31910002-PK |
| | 19-09-2017 | 3191-1P-201 | UL94V-0 | IVORY | YES | 31910002-PK |
| | 19-09-2016 | 3191-1P1-201 | UL94V-0 | IVORY | NO | 31910002-PK |
| 2 | 19-09-2028 | 3191-2P | UL94V-2 | NATURAL | YES | 31910002-PK |
| | 19-09-2029 | 3191-2P1 | UL94V-2 | NATURAL | NO | 31910002-PK |
| | 19-09-2027 | 3191-2P-201 | UL94V-0 | IVORY | YES | 31910002-PK |
| | 19-09-2026 | 3191-2P1-201 | UL94V-0 | IVORY | NO | 31910002-PK |
| 3 | 19-09-2038 | 3191-3P | UL94V-2 | NATURAL | YES | 31910001-PK |
| | 19-09-2039 | 3191-3P1 | UL94V-2 | NATURAL | NO | 31910001-PK |
| | 19-09-2037 | 3191-3P-201 | UL94V-0 | IVORY | YES | 31910002-PK |
| | 19-09-2036 | 3191-3P1-201 | UL94V-0 | IVORY | NO | 31910002-PK |
| | 19-09-3033 | 3191-3PBU | UL94V-2 | BLUE | YES | 31910002-PK |
| 4 | 19-09-2048 | 3191-4P | UL94V-2 | NATURAL | YES | 31910002-PK |
| | 19-09-2049 | 3191-4P1 | UL94V-2 | NATURAL | NO | 31910002-PK |
| | 19-09-2047 | 3191-4P-201 | UL94V-0 | IVORY | YES | 31910002-PK |
| | 19-09-2046 | 3191-4P1-201 | UL94V-0 | IVORY | NO | 31910002-PK |

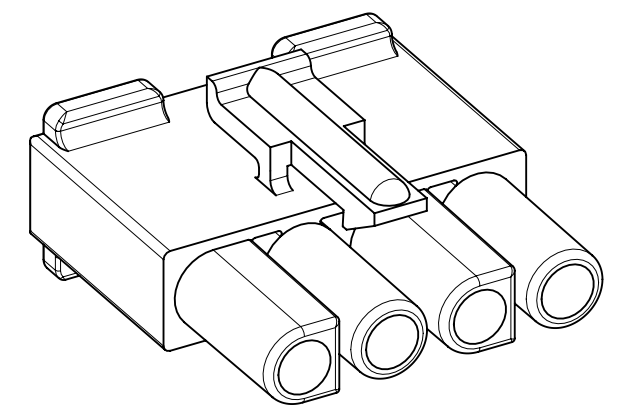
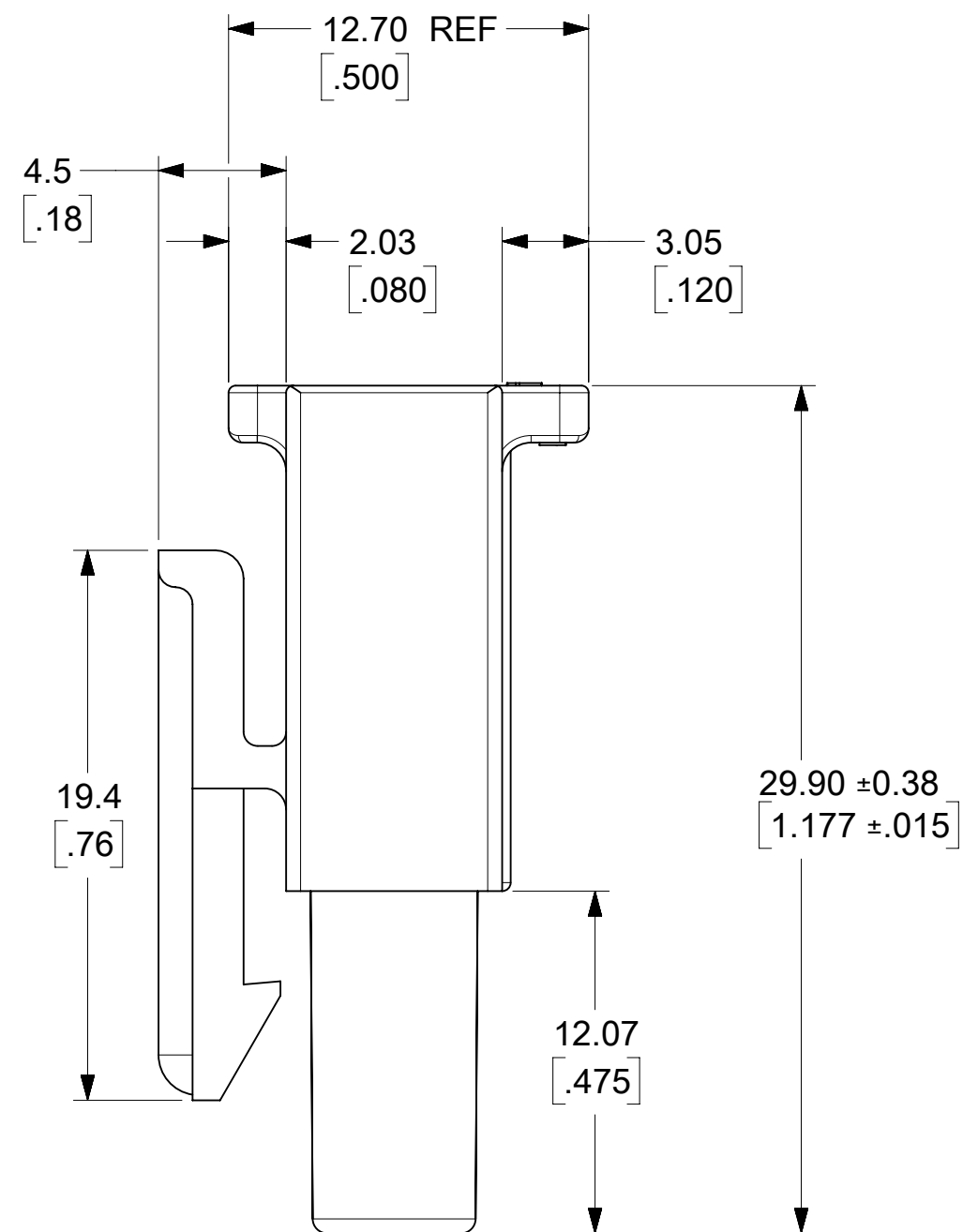
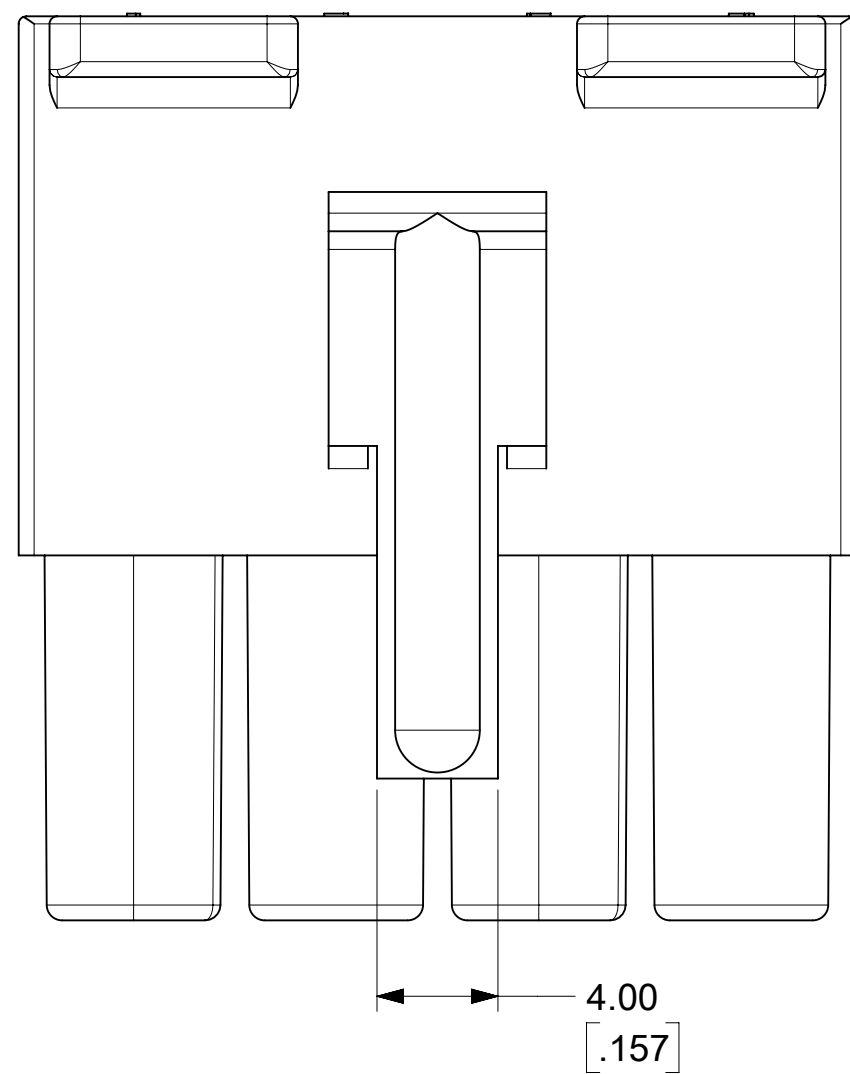
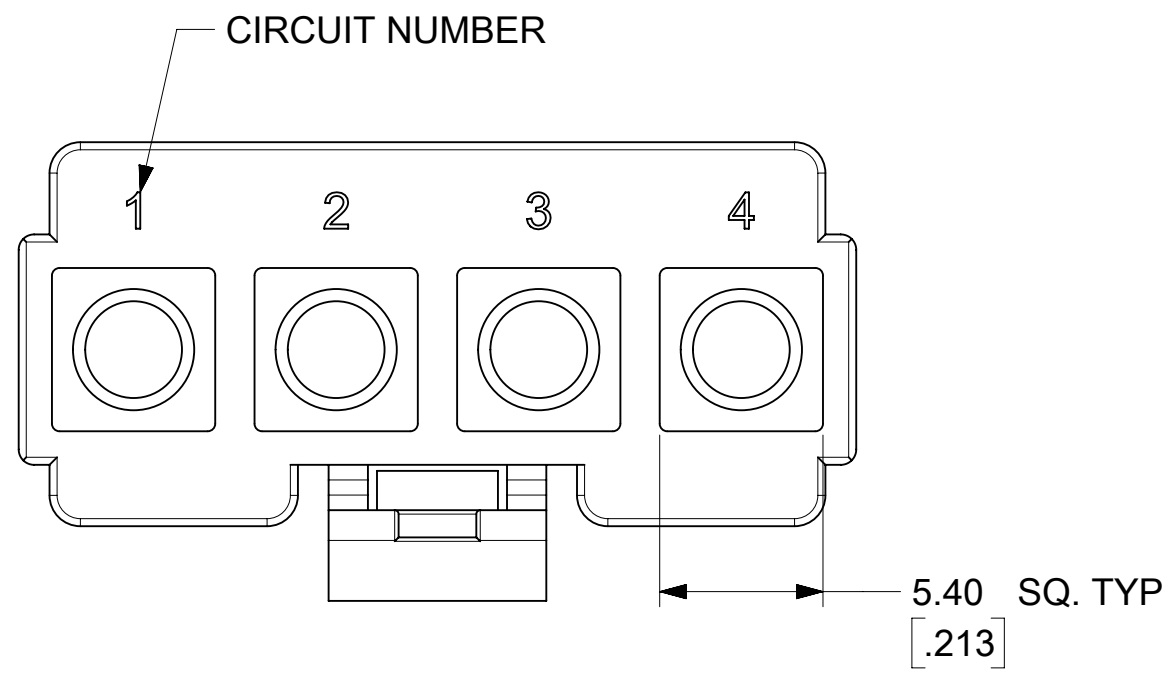


PLUG POLARIZATION

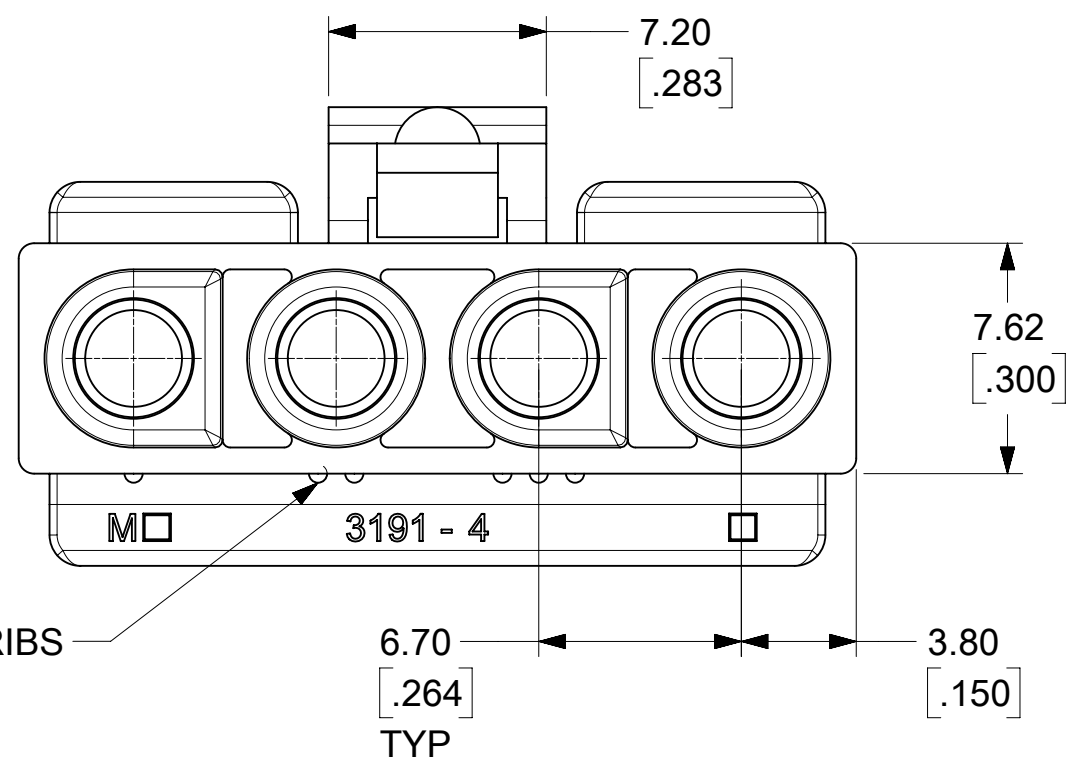


THESE DIMENSIONS APPLY TO 1 CIRCUIT PLUG ONLY
SEE SHEETS 1 FOR OTHER DIMENSIONS.

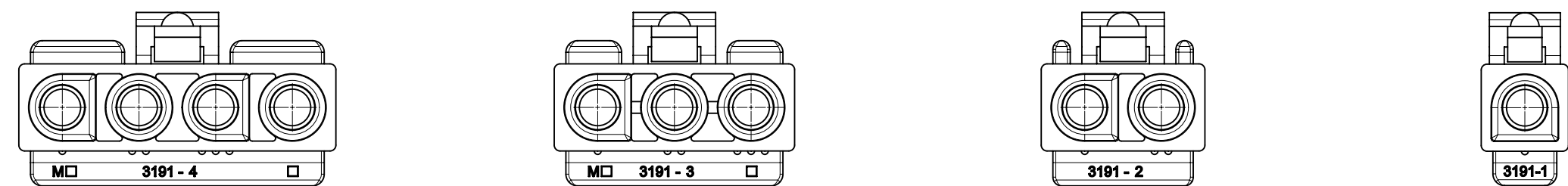
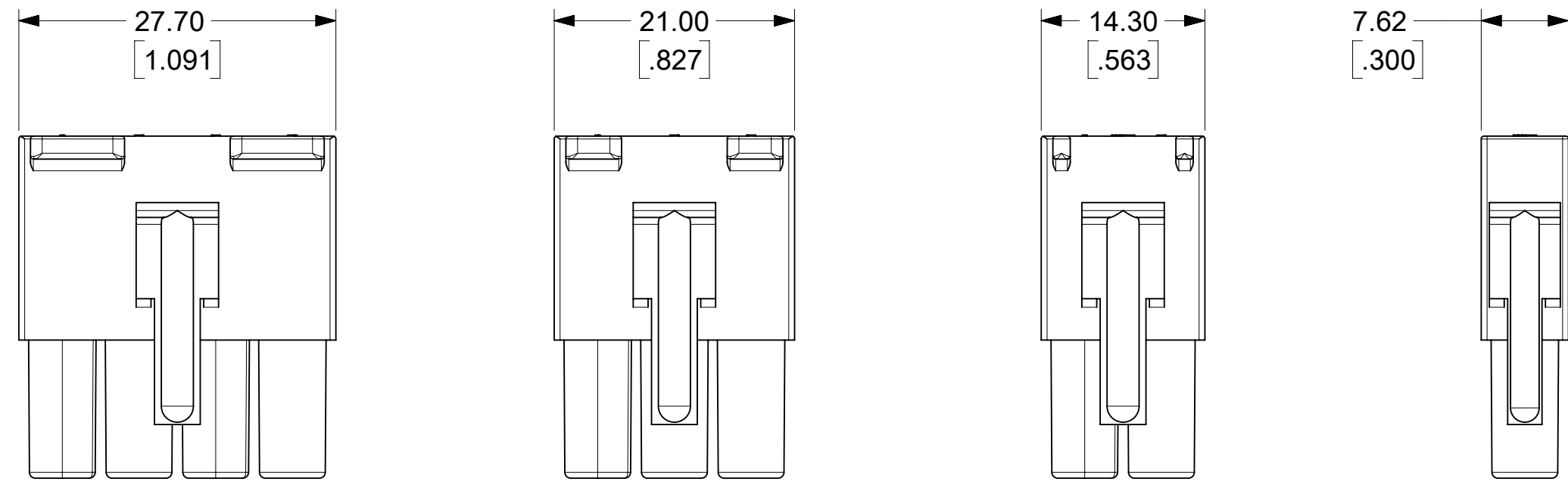
| | | | | | | |
|--------------------|---|------------------------|---|---|--|--|
| FUNCTIONAL SYMBOLS | THIS DRAWING CONTAINS INFORMATION THAT IS PROPRIETARY TO MOLEX ELECTRONIC TECHNOLOGIES, LLC AND SHOULD NOT BE USED WITHOUT WRITTEN PERMISSION | | | | | |
| | DIMENSION UNITS | SCALE | CURRENT REV DESC: RELEASED | | | |
| $\frac{F}{A} = 0$ | MM/INCH | 2:1 | EC NO: 643927 DRWN: MKIPPER 2020/06/02 CHK'D: MKIPPER 2022/10/12 APPR: FSMITH 2022/10/14 | | | |
| $\frac{F}{C} = 0$ | GENERAL TOLERANCES (UNLESS SPECIFIED) | | | | | |
| DIVISIONAL SYMBOLS | | MM | INCH | INITIAL REVISION: DRWN: MKIPPER 2020/06/02 APPR: FSMITH 2022/10/14 | | |
| | 4 PLACES | ± | ± | | | |
| | 3 PLACES | ± | ± 0.01 | | | |
| | 2 PLACES | ± 0.25 | ± 0.015 | | | |
| | 1 PLACE | ± 0.38 | ± | DOCUMENT NUMBER: 31910000-SD DOC TYPE: PSD DOC PART: 000 REVISION: A | | |
| | 0 PLACES | ± | ± | | | |
| | ANGULAR TOL | ± | ° | MATERIAL NUMBER: SEE CHARTS CUSTOMER: GENERAL MARKET SHEET NUMBER: 2 OF 4 | | |
| | DRAFT WHERE APPLICABLE MUST REMAIN WITHIN DIMENSIONS | THIRD ANGLE PROJECTION | | | | |



RECEPTACLE



| | | | | |
|--------------------|---|--------|------------------------|---|
| FUNCTIONAL SYMBOLS | THIS DRAWING CONTAINS INFORMATION THAT IS PROPRIETARY TO MOLEX ELECTRONIC TECHNOLOGIES, LLC AND SHOULD NOT BE USED WITHOUT WRITTEN PERMISSION | | | |
| | DIMENSION UNITS | SCALE | | CURRENT REV DESC: RELEASED |
| $\frac{F}{A} = 0$ | MM/INCH | 4:1 | | EC NO: 643927 DRWN: MKIPPER 2020/06/02 CHK'D: MKIPPER 2022/10/12 APPR: FSMITH 2022/10/14 |
| $\frac{F}{C} = 0$ | GENERAL TOLERANCES (UNLESS SPECIFIED) | | | |
| DIVISIONAL SYMBOLS | | MM | INCH | INITIAL REVISION: DRWN: MKIPPER 2020/06/02 APPR: FSMITH 2022/10/14 |
| | 4 PLACES | ± | ± | |
| | 3 PLACES | ± | ± 0.01 | |
| | 2 PLACES | ± 0.25 | ± 0.015 | |
| | 1 PLACE | ± 0.38 | ± | DOCUMENT NUMBER: 31910000-SD DOC TYPE: PSD DOC PART: 000 REVISION: A |
| | 0 PLACES | ± | ± | |
| | ANGULAR TOL | ± ° | | MATERIAL NUMBER: SEE CHARTS CUSTOMER: GENERAL MARKET SHEET NUMBER: 3 OF 4 |
| | DRAFT WHERE APPLICABLE MUST REMAIN WITHIN DIMENSIONS | | THIRD ANGLE PROJECTION | DRAWING: C-SIZE SERIES: 3191 |

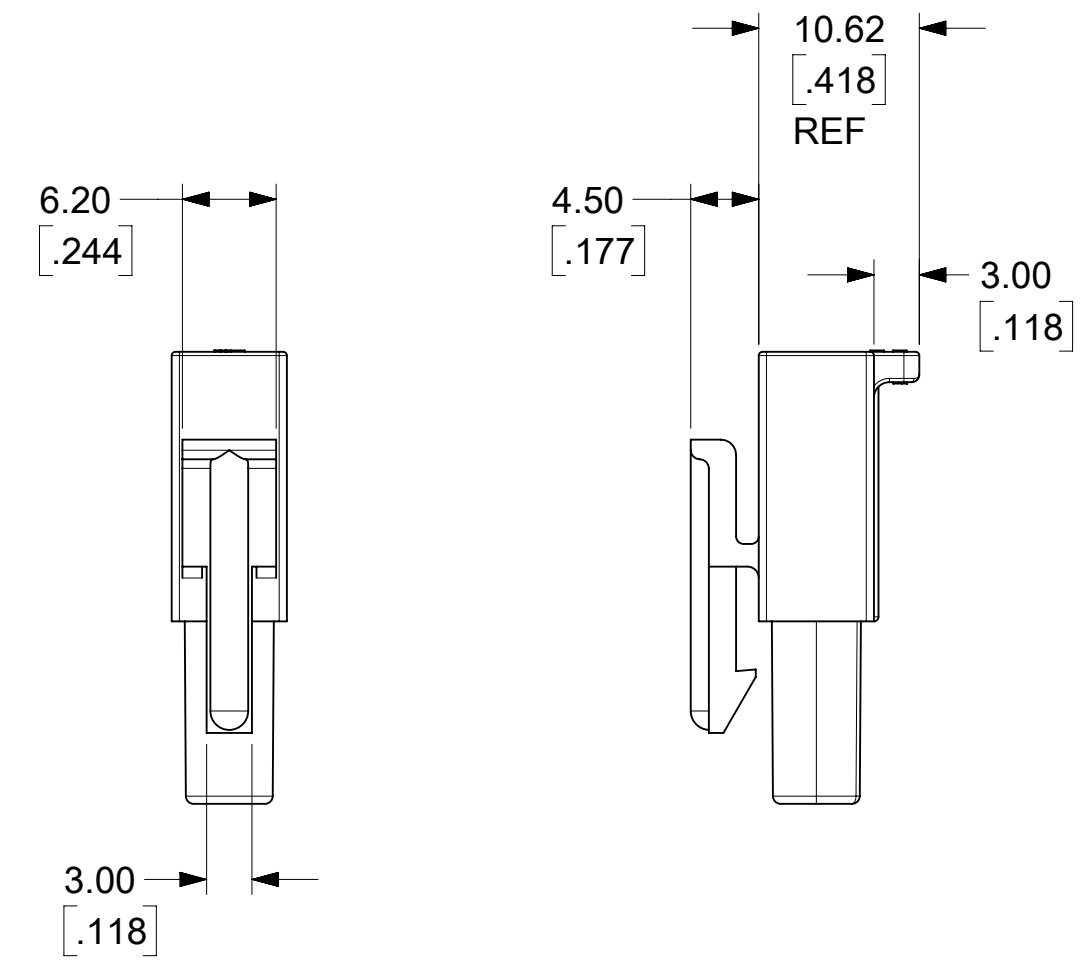


RECEPTACLE POLARIZATION

- NOTES:
1. MATERIAL: NYLON TYPE 6/6. SEE CHART FOR COLOR AND UL94 RATING.
 2. FINISH: NONE
 3. PRODUCT SPECIFICATION PS-02-09
 4. PACKAGING SPECIFICATION: SEE CHART
 5. PARTS CONFORM TO CLASS B REQUIREMENTS OF COSMETIC SPECIFICATION PS-45499-002.

THIS DRAWING REPLACES
 SD-3191-1X AND SD-3191-1*
 SD-3191-2X AND SD-3191-2*
 SD-3191-3X AND SD-3191-3*
 SD-3191-4X AND SD-3191-4*

| CIRCUITS | PART NO. | ENG. NO. | MATERIAL | COLOR | PACKAGING | MOUNTING EARS |
|----------|------------|--------------|----------|---------|-------------|--|
| 1 | 19-09-1019 | 3191-1R1 | UL94V-2 | NATURAL | 31910002-PK | MOUNTING EARS NOT AVAILABLE ON RECEPTACLES |
| | 19-09-1016 | 3191-1R1-201 | UL94V-0 | IVORY | 31910002-PK | |
| | 19-09-6011 | 3191-1R1BU | UL94V-2 | BLUE | TBD | |
| 2 | 19-09-1029 | 3191-2R1 | UL94V-2 | NATURAL | 31910002-PK | |
| | 19-09-1026 | 3191-2R1-201 | UL94V-0 | IVORY | 31910002-PK | |
| 3 | 19-09-1039 | 3191-3R1 | UL94V-2 | NATURAL | 31910001-PK | |
| | 19-09-1036 | 3191-3R1-201 | UL94V-0 | IVORY | 31910002-PK | |
| | 19-09-5039 | 3191-3R1-2 | UL94V-0 | WHITE | 31910001-PK | |
| 4 | 19-09-1049 | 3191-4R1 | UL94V-2 | NATURAL | 31910001-PK | |
| | 19-09-1046 | 3191-4R1-201 | UL94V-0 | IVORY | 31910002-PK | |



THESE DIMENSIONS APPLY TO 1 CIRCUIT RECEPTACLES ONLY

| | | | | |
|--------------------|---|------------------------|----------------------------|----------------|
| FUNCTIONAL SYMBOLS | THIS DRAWING CONTAINS INFORMATION THAT IS PROPRIETARY TO MOLEX ELECTRONIC TECHNOLOGIES, LLC AND SHOULD NOT BE USED WITHOUT WRITTEN PERMISSION | | CURRENT REV DESC: RELEASED | |
| $F_A = 0$ | DIMENSION UNITS | SCALE | EC NO: 643927 | |
| $F_C = 0$ | MM/INCH | 2:1 | DRWN: MKIPPER 2020/06/02 | |
| $F_P = 0$ | GENERAL TOLERANCES (UNLESS SPECIFIED) | | CHK'D: MKIPPER 2022/10/12 | |
| DIVISIONAL SYMBOLS | | | APPR: FSMITH 2022/10/14 | |
| | 4 PLACES | ± | INITIAL REVISION: | |
| | 3 PLACES | ± | DRWN: MKIPPER 2020/06/02 | |
| | 2 PLACES | ± 0.25 ± 0.015 | APPR: FSMITH 2022/10/14 | |
| | 1 PLACE | ± 0.38 ± | DOCUMENT NUMBER | |
| | 0 PLACES | ± | 31910000-SD | |
| | ANGULAR TOL | ± ° | DOC TYPE | DOC PART |
| | DRAFT WHERE APPLICABLE MUST REMAIN WITHIN DIMENSIONS | THIRD ANGLE PROJECTION | DRAWING | SERIES |
| | | | C-SIZE | 3191 |
| | | | MATERIAL NUMBER | CUSTOMER |
| | | | SEE CHARTS | GENERAL MARKET |
| | | | DOC PART | REVISION |
| | | | 000 | A |
| | | | SHEET NUMBER | |
| | | | 4 OF 4 | |

单击下面可查看定价，库存，交付和生命周期等信息

[>>MOLEX](#)