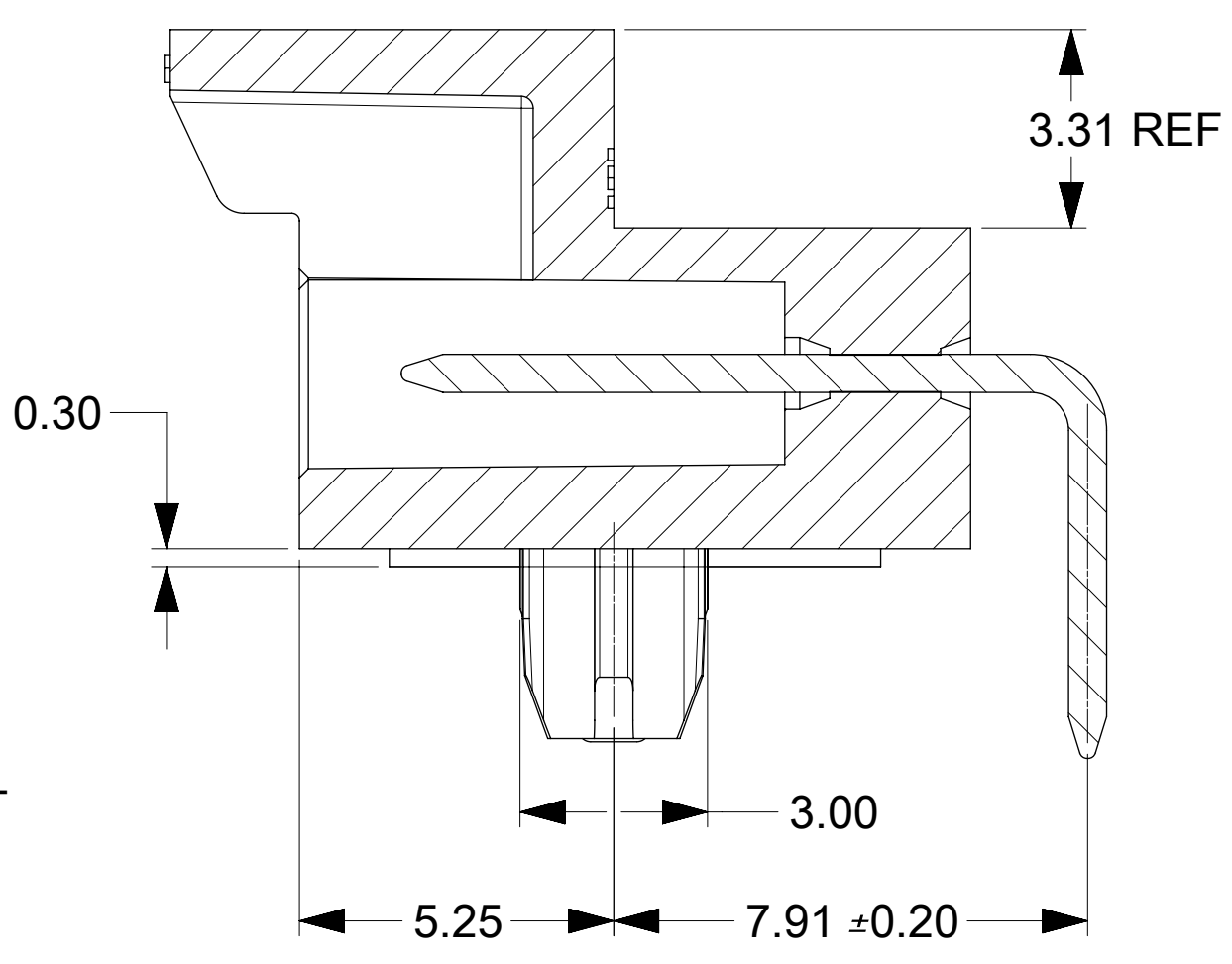
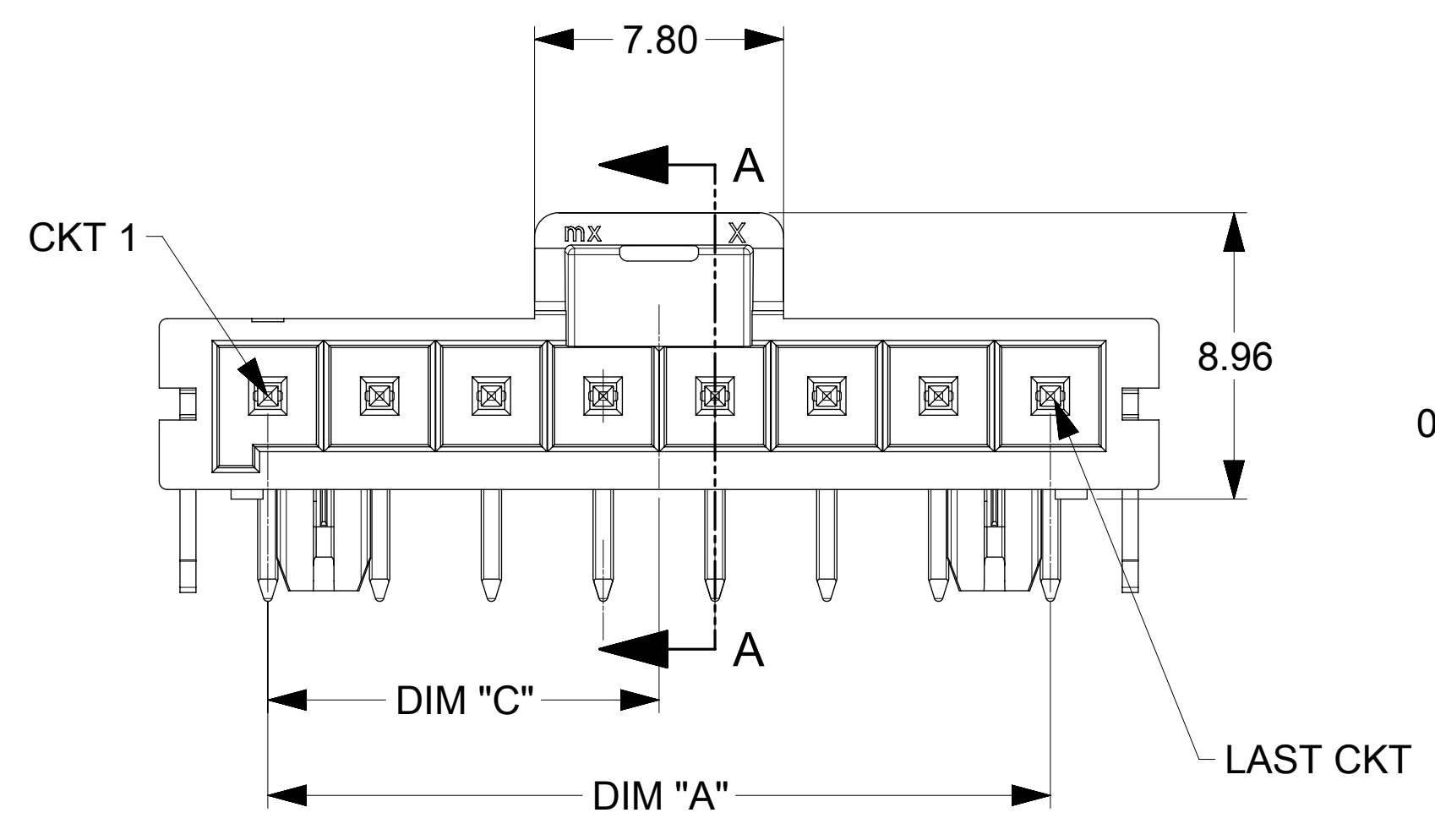
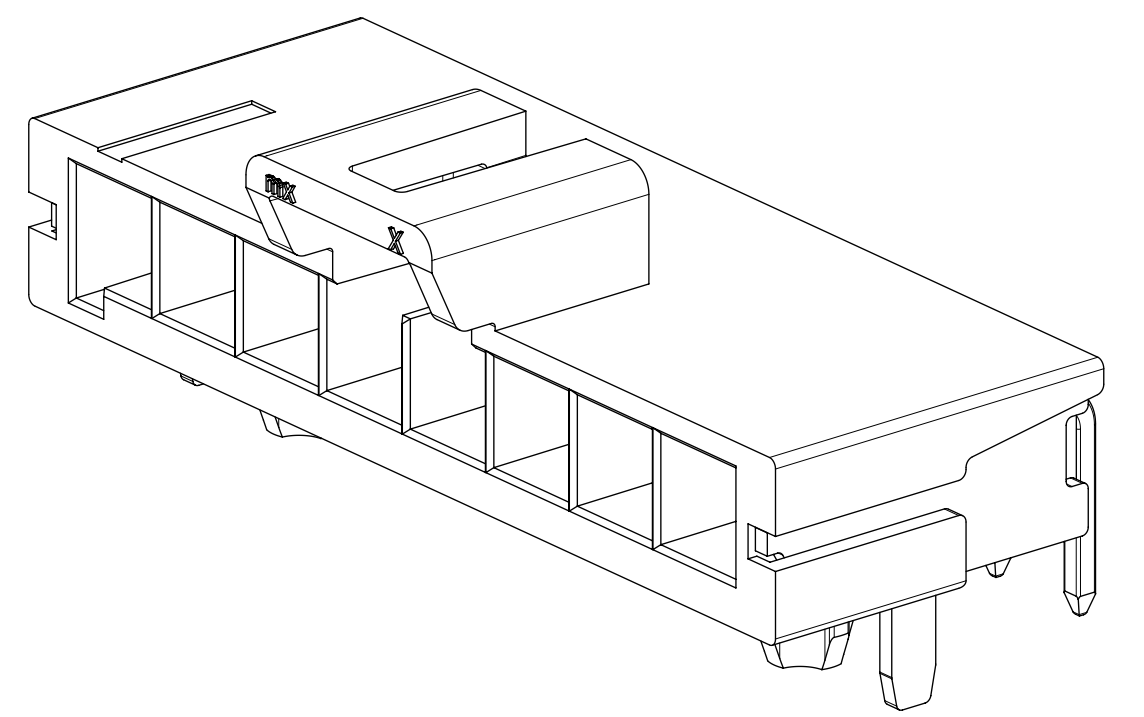
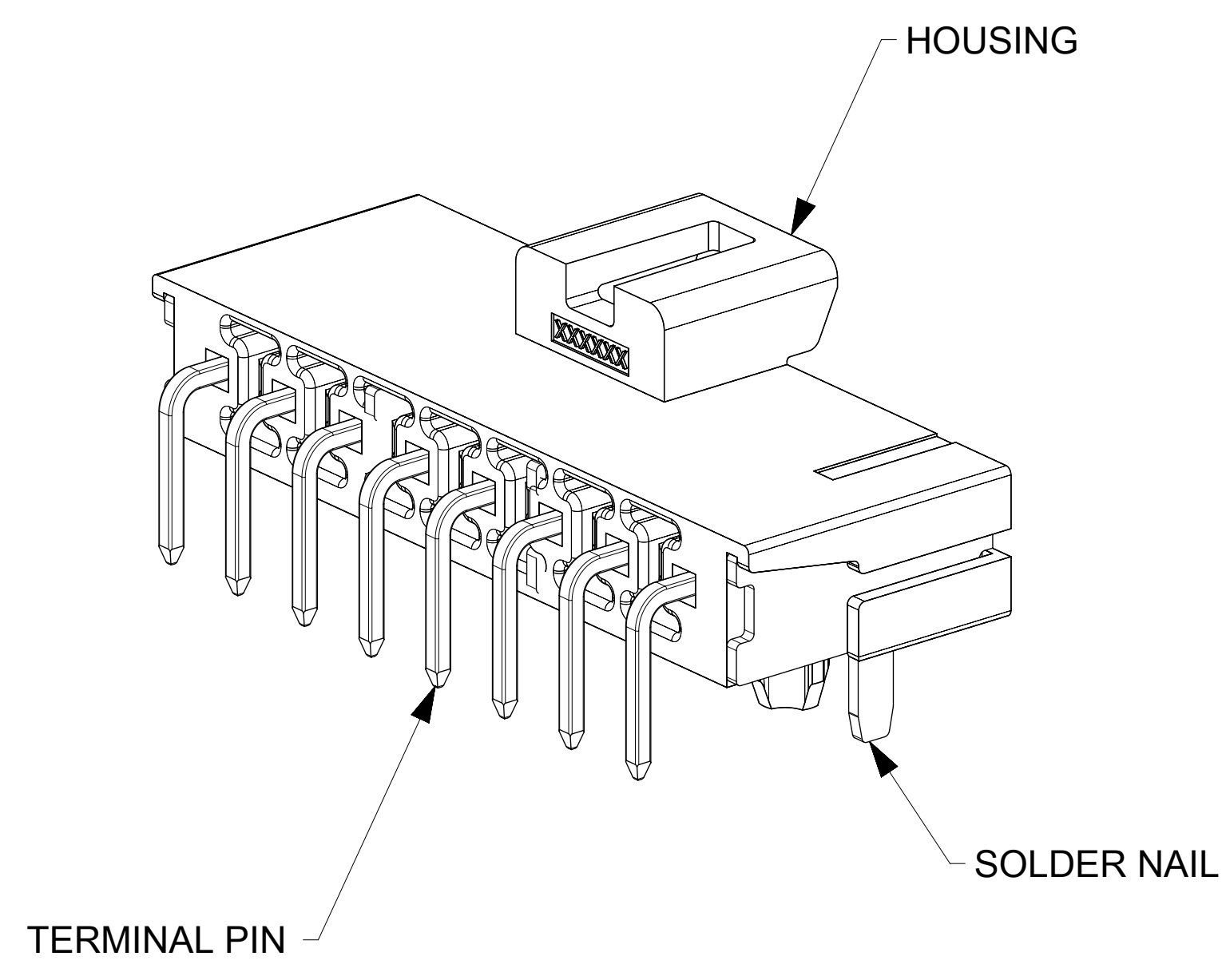
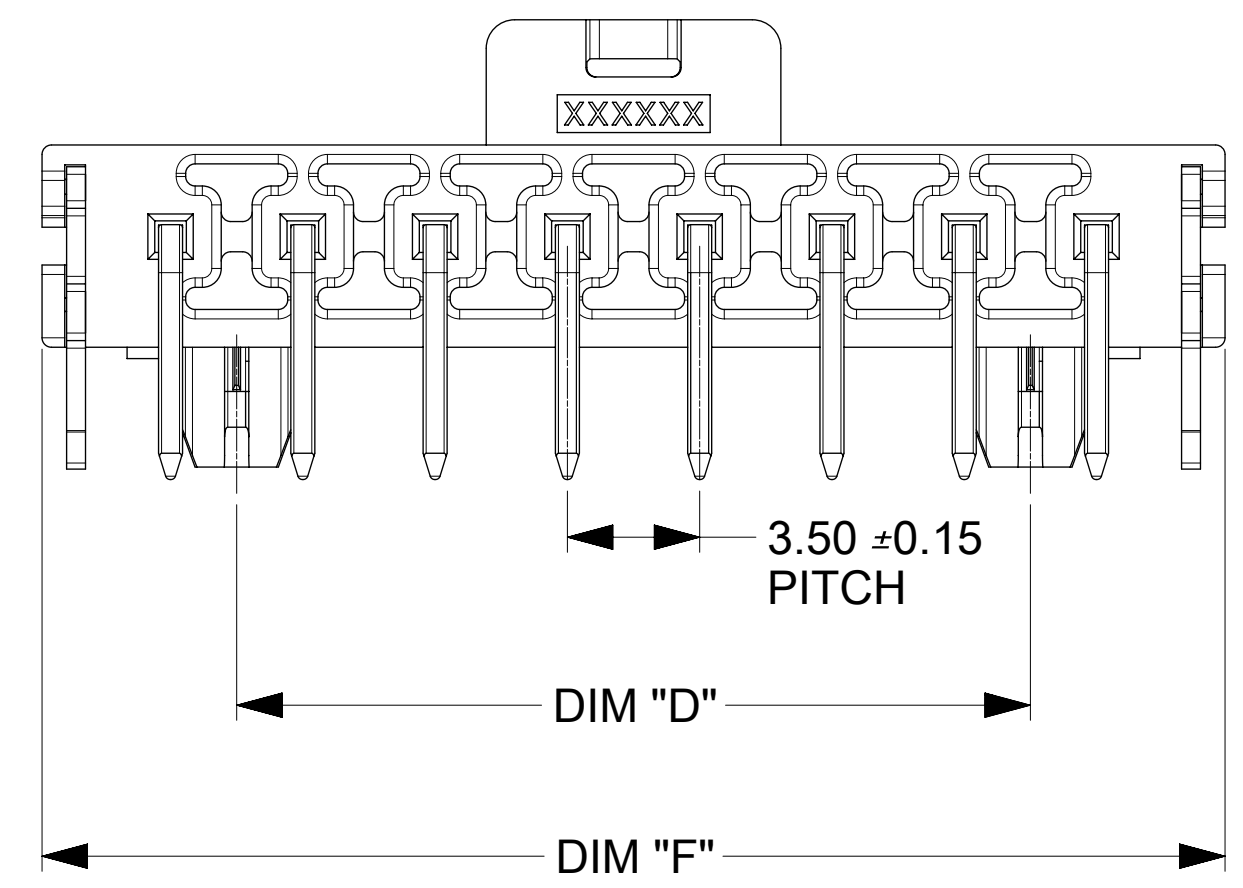


DATE CODE LOCATION
SEE NOTE 6

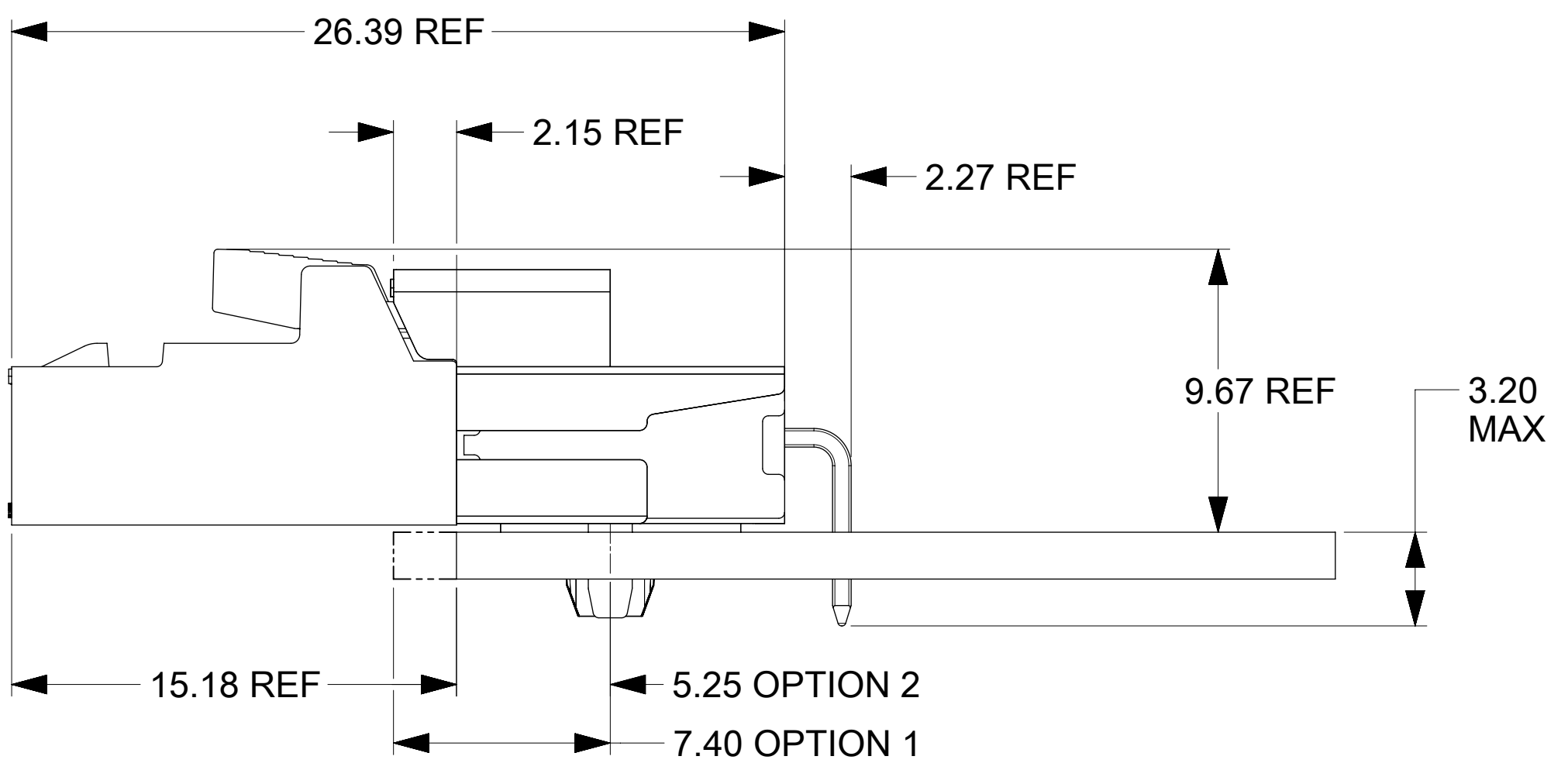


SECTION A-A
SCALE 8:1



NOTES:

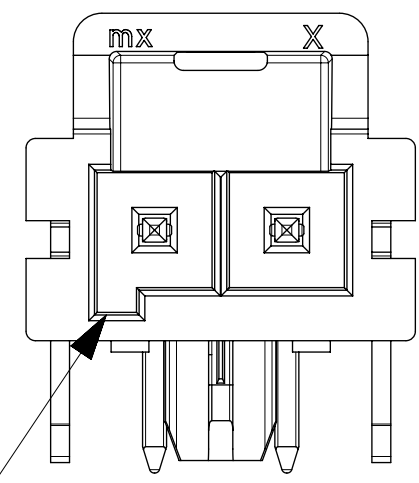
- MATERIAL :
HOUSING:
OPTION 1: LCP BLACK, UL94V-0
OPTION 2: LCP NATURAL, UL94V-0
TERMINAL: COPPER ALLOY
- PLATING FINISH:
OPTION 1 - 1.5µm(60µin)-2.5µm(100µin) REFLOW MATTE TIN OVER
1.25µm(50µin)-2.5µm(100µin) NICKEL OVERALL
OPTION 2 - 0.35µm(15µin) GOLD CONTACT AREA,
1.5µm(60µin)-2.5µm(100µin) MATTE TIN OVER
1.25µm(50µin)-2.5µm(100µin) NICKEL OVERALL
OPTION 3 - 0.70µm(30µin) GOLD CONTACT AREA,
1.5µm(60µin)-2.5µm(100µin) MATTE TIN OVER
1.25µm(50µin)-2.5µm(100µin) NICKEL OVERALL
- PARTS TO BE PACKAGED PER PK-172298-9001
- PRODUCT SPECIFICATION PS-172323-0001
- PART MATES WITH MOLEX RECEPTACLE HOUSING
172256 AND 172260
- PART CONFORMS TO CLASS "C" REQUIREMENTS OF MOLEX COSMETIC
SPECIFICATION.
PS-45499-002 WITH 0.13 MM MAXIMUM FLASH ALLOWED IN CORE
HOLES AND FRONT SURFACE.
- LASER MARK CODE IN A FORMAT DDD
- PARTS ARE NOT DESIGNED FOR CURRENT SHARING.



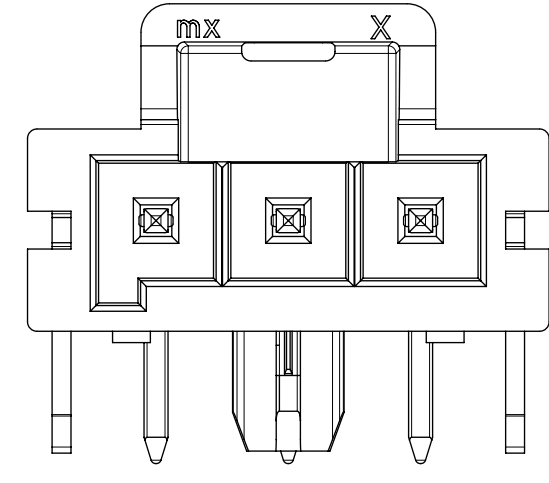
OPTION 1: LATCH FLUSH WITH PCB EDGE
OPTION 2: HOUSING BODY FLUSH WITH PCB EDGE

SYMBOLS	THIS DRAWING CONTAINS INFORMATION THAT IS PROPRIETARY TO MOLEX ELECTRONIC TECHNOLOGIES, LLC AND SHOULD NOT BE USED WITHOUT WRITTEN PERMISSION		
	DIMENSION UNITS	SCALE	CURRENT REV DESC:
▽ = 0	mm	5:1	
▽ = 0	GENERAL TOLERANCES (UNLESS SPECIFIED)		
▽ = 0	ANGULAR TOL ± 0.5°		
▽ = 0	4 PLACES ±		EC NO: 173780
▽ = 0	3 PLACES ±		DRWN: SCHEN76 2018/02/26
▽ = 0	2 PLACES ± 0.13		CHK'D: AYIN 2018/04/02
▽ = 0	1 PLACE ± 0.25		APPR: AYIN 2018/04/02
▽ = 0	0 PLACES ±		INITIAL REVISION:
☒ = 0	DRAFT WHERE APPLICABLE MUST REMAIN WITHIN DIMENSIONS		DRWN: PPEREZ03 2016/02/22
☒ = 0	THIRD ANGLE PROJECTION		APPR: RHODGE 2016/06/21
	DRAWING	SERIES	
	D-SIZE	172310	
DOCUMENT NUMBER		DOC TYPE	DOC PART
1723102000		PSD	000
REVISION			
B1			
MATERIAL NUMBER		CUSTOMER	SHEET NUMBER
			1 OF 3

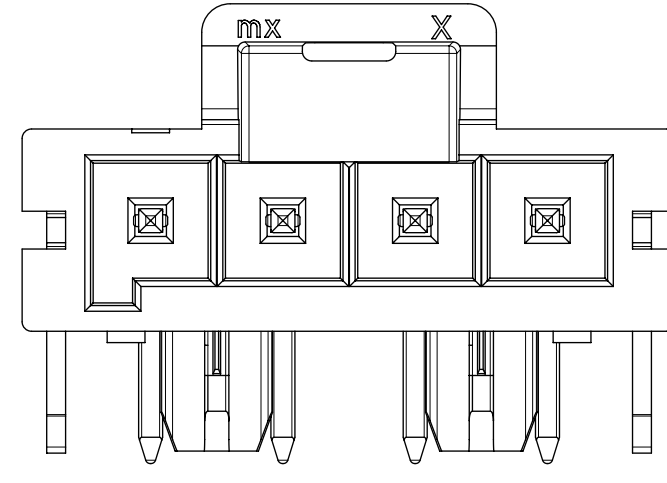
KEY A (BLACK)



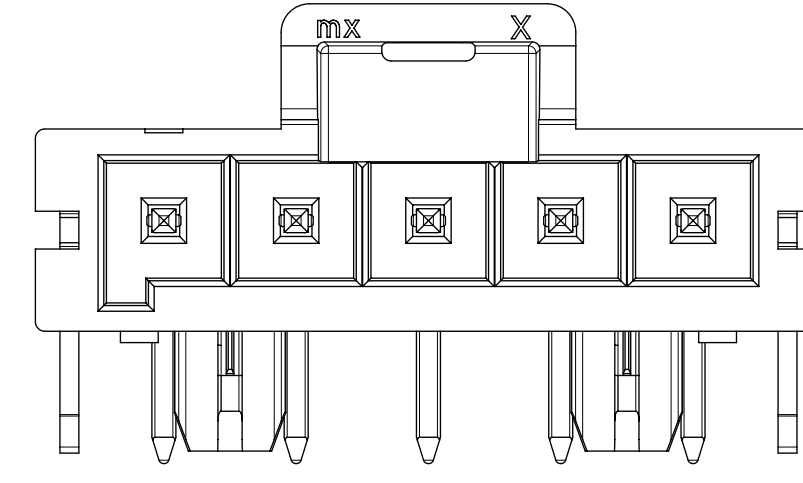
2CKT



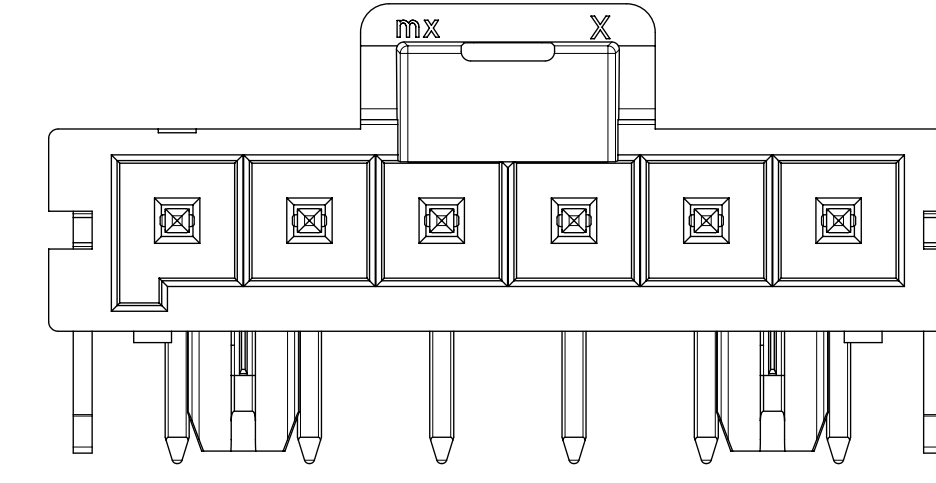
3CKT



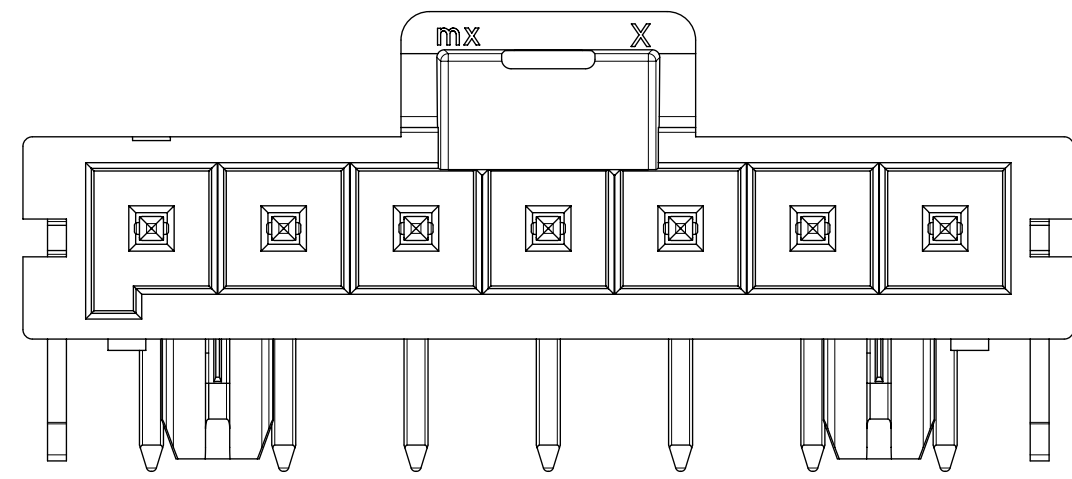
4CKT



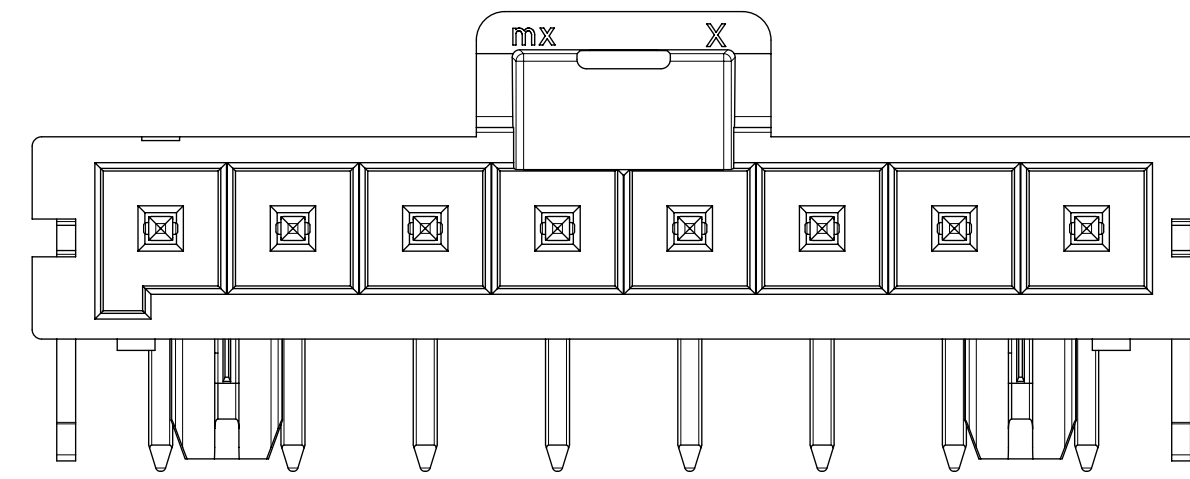
5CKT



6CKT

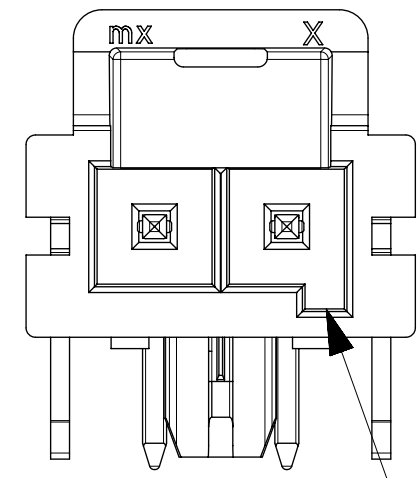


7CKT

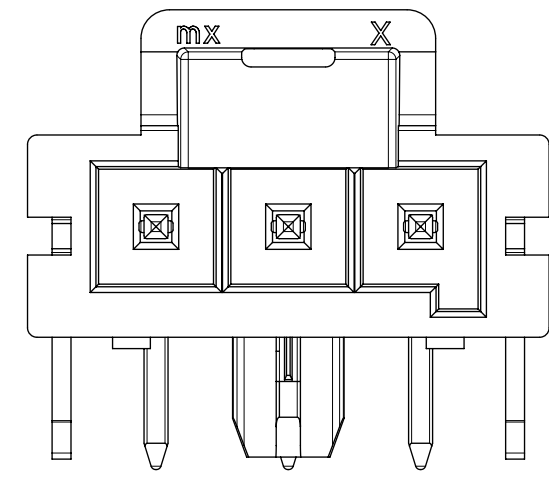


8CKT

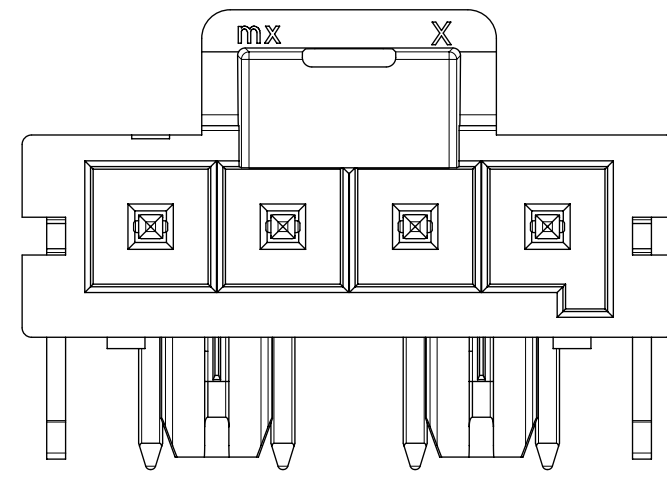
BLACK



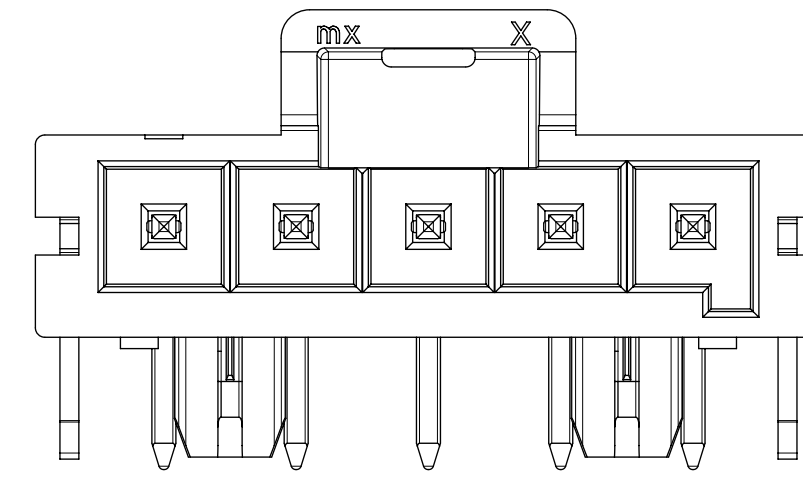
2 CKT



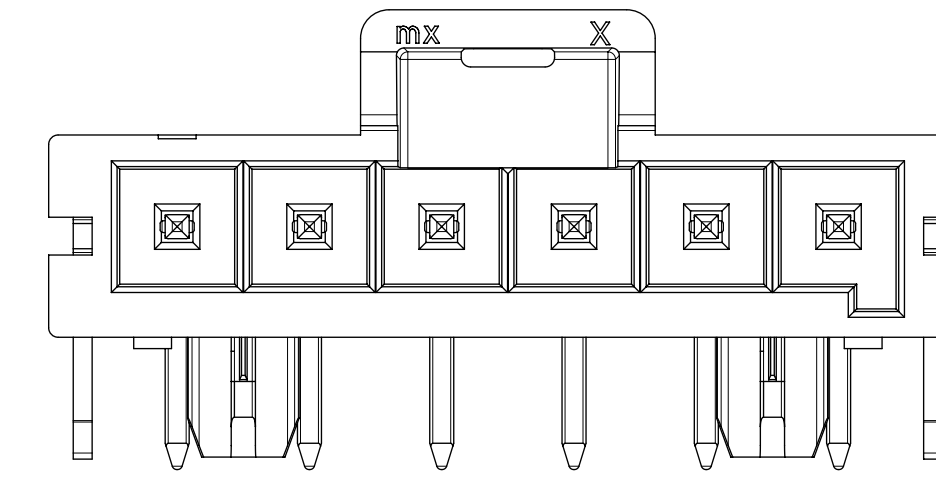
3 CKT



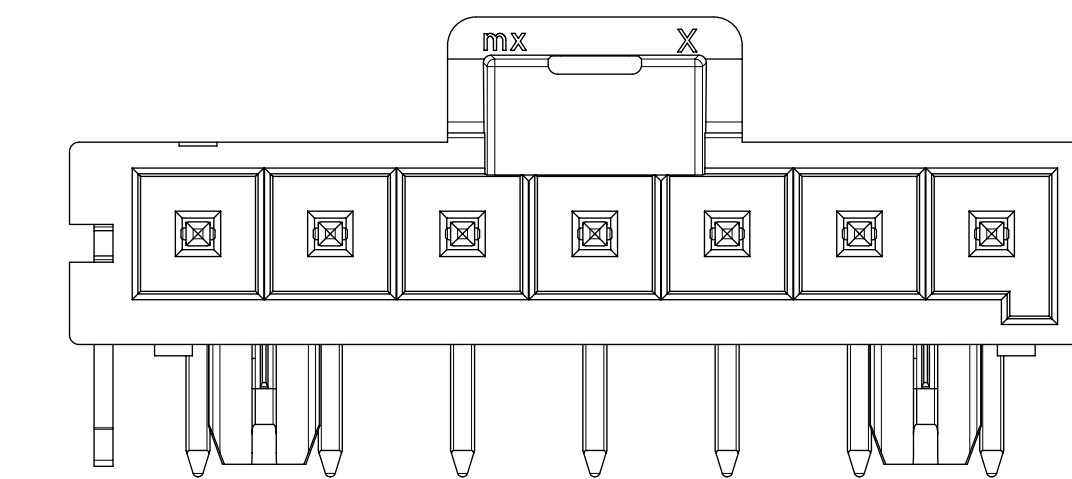
4 CKT



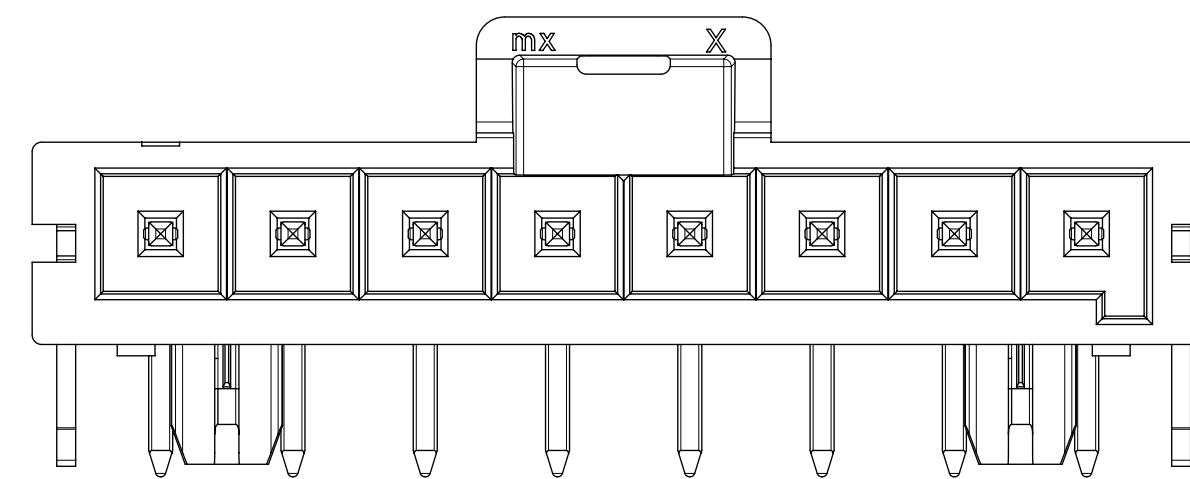
5 CKT



6 CKT



7 CKT



8 CKT

NATURAL

COLOR-POLARIZATION

SYMBOLS	THIS DRAWING CONTAINS INFORMATION THAT IS PROPRIETARY TO MOLEX ELECTRONIC TECHNOLOGIES, LLC AND SHOULD NOT BE USED WITHOUT WRITTEN PERMISSION		CURRENT REV DESC:					
	DIMENSION UNITS	SCALE						EC NO: 173780
▽ = 0	mm	5:1	DRWN: SCHEN76	2018/04/02	1723102000	PSD	000	B1
▽ = 0	GENERAL TOLERANCES (UNLESS SPECIFIED)		CHK'D: AYIN	2018/04/02	PRODUCT CUSTOMER DRAWING			
▽ = 0	ANGULAR TOL ± 0.5°		APPR: AYIN	2018/04/02	INITIAL REVISION:			
▽ = 0	4 PLACES ±		DRWN: PPerez03	2016/02/22	DRAFT WHERE APPLICABLE			
▽ = 0	3 PLACES ±		APPR: RHODGE	2016/06/21	MATERIAL NUMBER			
▽ = 0	2 PLACES ± 0.13		THIRD ANGLE PROJECTION		DRAWING			
▽ = 0	1 PLACE ± 0.25		D-DRAWING		SERIES			
▽ = 0	0 PLACES ±		D-D-SIZE		172310			
■ = 0	DRAFT WHERE APPLICABLE		THIRD ANGLE PROJECTION		CUSTOMER			
▽ = 0	MUST REMAIN WITHIN DIMENSIONS		D-D-SIZE		SHEET NUMBER			
▽ = 0					3 OF 3			

单击下面可查看定价，库存，交付和生命周期等信息

[>>MOLEX](#)