

1. 製品名称 / PRODUCT NAME : 1.25 WTB SINGLE SMT RECEPTACLE HOUSING

製品番号 / PART NUMBER : 5 0 5 5 6 5 \* \* 0 ☆

( \*\* は極数を示し、☆は色を示す。図面参照。 )

( \*\* IS CIRCUITS SIZE. ☆ IS COLOR. REFER TO DRAWING. )

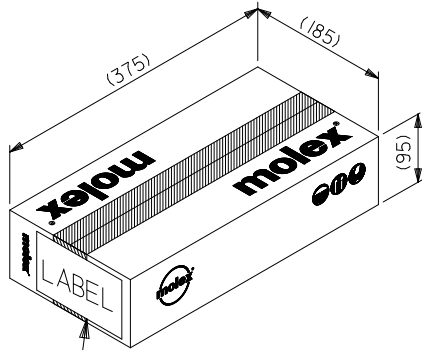
2. 標準梱包数 / STANDARD PACKAGING QUANTITY.

極 数 CKT. SIZE	ポリ袋 POLY BAG	内装カートン PRIMARY CARTON		外装カートン SHIPPING CARTON
	1袋中の製品数 QUANTITY IN ONE BAG	ポリ袋の数 NUMBER OF POLY BAG	製品数 QUANTITY	製品数(内装カートン×4) QUANTITY (PRIMARY CARTON X4)
2	2,000	10	20,000	80,000
3	2,000	9	18,000	72,000
4	2,000	7	14,000	56,000
5	1,000	12	12,000	48,000
6	1,000	10	10,000	40,000
7	1,000	9	9,000	36,000
8	1,000	8	8,000	32,000
9	1,000	7	7,000	28,000
10	1,000	7	7,000	28,000
11	1,000	6	6,000	24,000
12	1,000	6	6,000	24,000
13	500	11	5,500	22,000
14	500	10	5,000	20,000
15	500	10	5,000	20,000
16	500	9	4,500	18,000

REV.	A				
SHEET	1~2				
REVISE ON PC ONLY		TITLE:			
<b>A</b>	RELEASED 108716 2016/09/26 Y.TOKUZONO		5 0 5 5 6 5 梱包仕様書 SALES PACKAGING SPEC. FOR 505565		
	REV. DESCRIPTION		THIS DOCUMENT CONTAINS INFORMATION THAT IS PROPRIETARY TO MOLEX ELECTRONIC TECHNOLOGIES, LLC AND SHOULD NOT BE USED WITHOUT WRITTEN PERMISSION		
DESIGN CONTROL	J	STATUS	WRITTEN BY: T.NAKAGAWA01	CHECKED BY: T.HARUYAMA	APPROVED BY: Y.ITO
			DATE: 2016/03/02		

DOCUMENT NUMBER 5055659200	DOC. TYPE PS	DOC. PART 200	CUSTOMER GENERAL	SHEET 1 OF 2
-------------------------------	-----------------	------------------	---------------------	-----------------

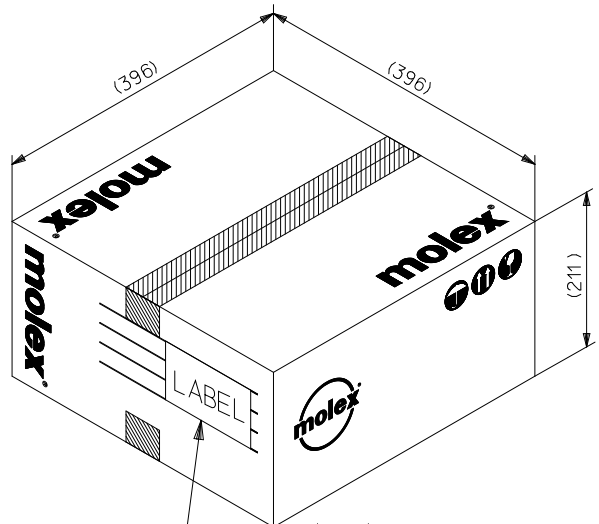
3. カートン外形参考寸法 / CARTON OUTER DIMENSIONS (REFERENCE PURPOSE ONLY) 単位 / UNIT: mm



カートンラベル  
CARTON LABEL

(製品型番, 数量, ロットNO. 表示)  
INDICATION OF PART No., QUANTITY, LOT No.

内装カートン  
PRIMARY CARTON



カートンラベル  
CARTON LABEL

(製品型番, 数量, ロットNO. 表示)  
INDICATION OF PART No., QUANTITY, LOT No.

外装カートン  
SHIPPING CARTON

REVISE ON PC ONLY		TITLE: <b>505565 梱包仕様書</b> SALES PACKAGING SPEC. FOR 505565			
<b>A</b>	SEE SHEET 1 OF 2				
REV.	DESCRIPTION	THIS DOCUMENT CONTAINS INFORMATION THAT IS PROPRIETARY TO MOLEX ELECTRONIC TECHNOLOGIES, LLC AND SHOULD NOT BE USED WITHOUT WRITTEN PERMISSION			
DOCUMENT NUMBER <b>5055659200</b>		DOC. TYPE <b>PS</b>	DOC. PART <b>200</b>	CUSTOMER <b>GENERAL</b>	SHEET 2 OF 2

单击下面可查看定价，库存，交付和生命周期等信息

[>>MOLEX](#)