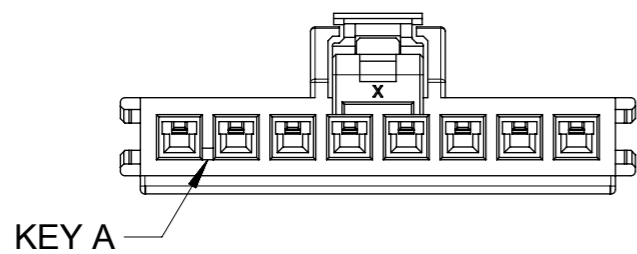
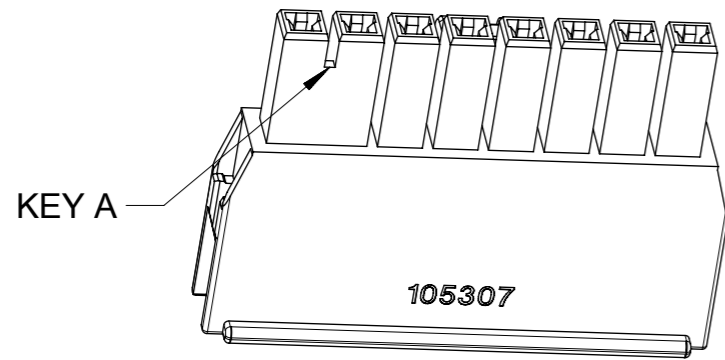


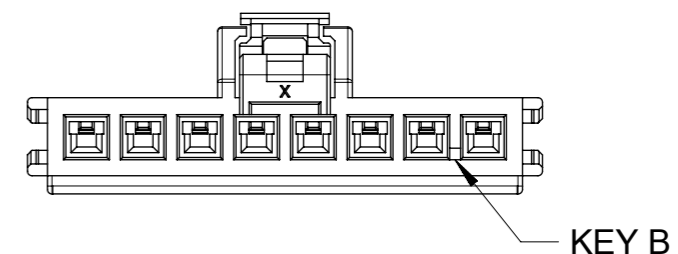
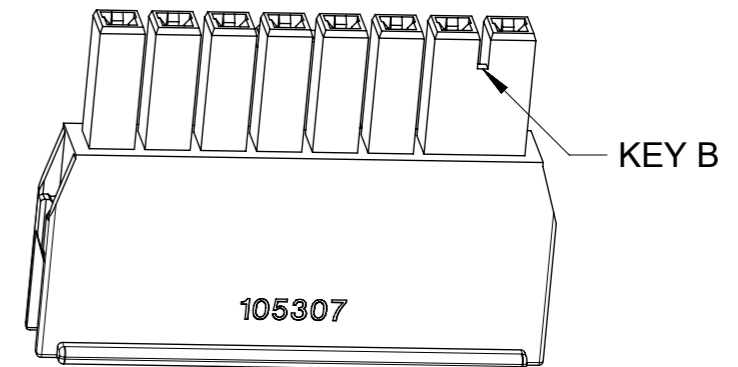
NOTES:

1. MATERIAL:
 OPTION 1: PA4T, 30% GLASS FILLED, 94V-0, BLACK
 OPTION 2: PA4T, 30 GLASS FILLED, 94V-0, NATUAL.
2. PRODUCT SPECIFICATION: PS-105300-100.
3. PACKAGE SPECIFICATION: PK-105307-100.
4. THE COMPONENT COMPLIANT TO RoHS DIRECTIVE 2011/65/EU AND ELV DIRECTIVE 2000/53/EC.
5. TO MATE WITH TERMINAL OF 105300-****.
 TO MATE WITH TPA OF 105325-****.
 TO MATE WITH HEADER OF 105309-****, 105311-**** AND 105313-****.
6. PARTS CONFORM TO CLASS 'B' REQUIREMENTS OF COSMETIC SPECIFICATION PS-45499-002.
7. APPLICATION SPECIFICATION: AS-105300-100.

THIS DRAWING CONTAINS INFORMATION THAT IS PROPRIETARY TO MOLEX ELECTRONIC TECHNOLOGIES, LLC AND SHOULD NOT BE USED WITHOUT WRITTEN PERMISSION												
QUALITY SYMBOLS	2018/09/21 2019/04/17 2019/04/17	GENERAL TOLERANCES (UNLESS SPECIFIED)		DIMENSION UNITS	SCALE							
		ANGULAR TOL ± 3.0 °		mm	3:1							
▽A = 0	EC NO: 614394 DRWN: GLLI CHK'D: AYIN APP: AYIN	4 PLACES ±	DRWN BY	DATE		RECEPTACLE OF NANO-FIT, S/R, TPA POWER CONNECTOR						
▽E = 0		3 PLACES ±		GLLI	2014/08/13							
▽EB = 0		2 PLACES ± 0.2	CHK'D BY		DATE		PRODUCT CUSTOMER DRAWING					
▼ = 0		1 PLACE ± 0.3	APPR BY		DATE							
▽C = 0		0 PLACES ±	DRAFT WHERE APPLICABLE MUST REMAIN WITHIN DIMENSIONS		DRAWING SIZE	THIRD ANGLE PROJECTION	SERIES	MATERIAL NUMBER	CUSTOMER			
⊗ = 0		A3	A3		105307	SEE SHEET 4	GENERAL MARKET					
■ = 0	REV	E		SD-105307-100		DOCUMENT NUMBER	DOC TYPE	DOC PART	SHEET NUMBER			
▽ = 0						PSD	000	1 OF 4				



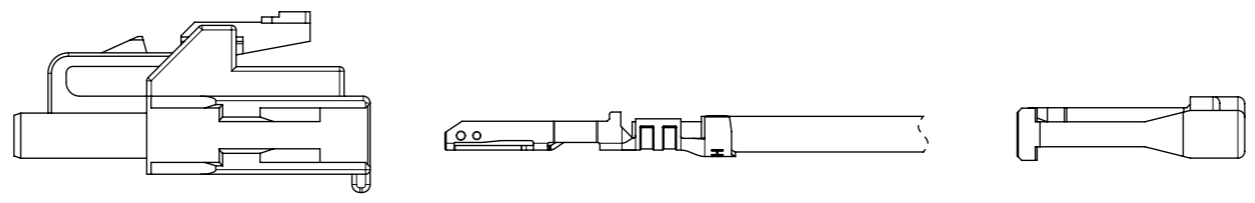
BLACK



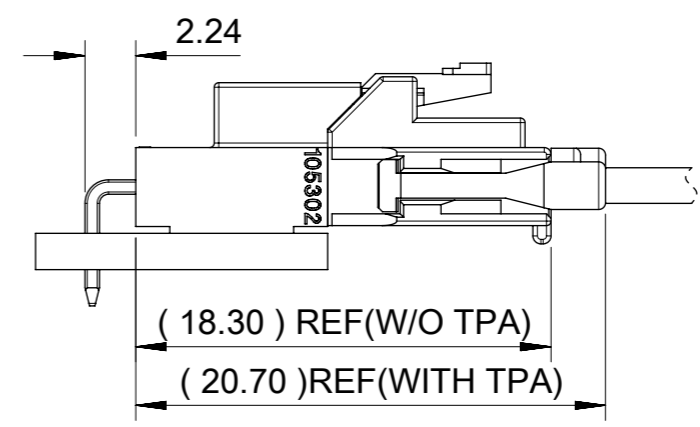
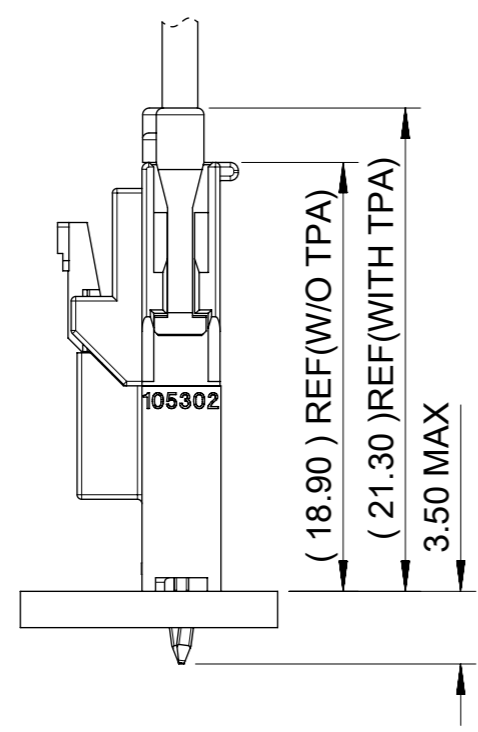
NATURAL

COLOR OPTION

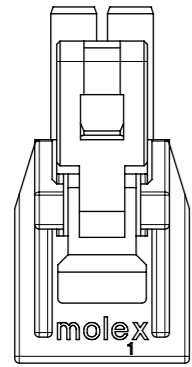
QUALITY SYMBOLS ▽ _A = 0 ▽ _E = 0 ▽ _B = 0 ▼ = 0 ▽ = 0 ⊠ = 0 ■ = 0 ▽ = 0	THIS DRAWING CONTAINS INFORMATION THAT IS PROPRIETARY TO MOLEX ELECTRONIC TECHNOLOGIES, LLC AND SHOULD NOT BE USED WITHOUT WRITTEN PERMISSION											
	EC NO: 614394 DRWN: GLLI CHK'D: AYIN APPR: AYIN	2018/09/21	2019/04/17	2019/04/17	GENERAL TOLERANCES (UNLESS SPECIFIED)		DIMENSION UNITS	SCALE				
					ANGULAR TOL ± 3.0 °		mm	3:1				
					4 PLACES ±	DRWN BY		DATE		RECEPTACLE OF NANO-FIT, S/R, TPA POWER CONNECTOR		
					3 PLACES ±	GLLI		2014/08/13				
					2 PLACES ± 0.2	CHK'D BY		DATE				
				1 PLACE ± 0.3	APPR BY		DATE		PRODUCT CUSTOMER DRAWING			
				0 PLACES ±	AYIN		2015/04/08		SERIES	MATERIAL NUMBER	CUSTOMER	
	DRAFT WHERE APPLICABLE MUST REMAIN WITHIN DIMENSIONS				A3		THIRD ANGLE PROJECTION		105307	SEE SHEET 4	GENERAL MARKET	
									DOCUMENT NUMBER	DOC TYPE	DOC PART	SHEET NUMBER
								SD-105307-100	PSD	000	2 OF 4	



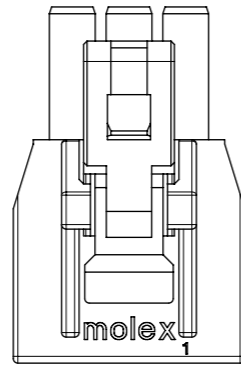
←
TERMINAL AND TPA ORIENTATION



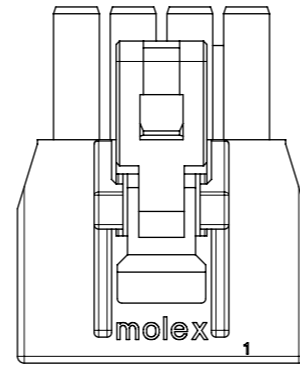
QUALITY SYMBOLS ▽A = 0 ▽E = 0 ▽F = 0 ▼ = 0 ▽C = 0 ⊗ = 0 ■ = 0 ▽ = 0	THIS DRAWING CONTAINS INFORMATION THAT IS PROPRIETARY TO MOLEX ELECTRONIC TECHNOLOGIES, LLC AND SHOULD NOT BE USED WITHOUT WRITTEN PERMISSION									
	2018/09/21	2019/04/17	2019/04/17	GENERAL TOLERANCES (UNLESS SPECIFIED)		DIMENSION UNITS	SCALE			
	DRWN: GLLI	CHK'D: AYIN	APPR: AYIN	ANGULAR TOL ± 3.0 °		mm	3:1			
	EC NO: 614394 DRWN: GLLI CHK'D: AYIN APPR: AYIN	4 PLACES	±	4 PLACES ±		DRWN BY	DATE	RECEPTACLE OF NANO-FIT, S/R, TPA POWER CONNECTOR		
		3 PLACES	±	3 PLACES ±		GLLI	2014/08/13			
		2 PLACES	± 0.2	2 PLACES ± 0.2		CHK'D BY	DATE	PRODUCT CUSTOMER DRAWING		
		1 PLACE	± 0.3	1 PLACE ± 0.3		AYIN	2015/04/08			
		0 PLACES	±	0 PLACES ±		APPR BY	DATE	SERIES	MATERIAL NUMBER	CUSTOMER
	DRAFT WHERE APPLICABLE MUST REMAIN WITHIN DIMENSIONS		DRAFT WHERE APPLICABLE MUST REMAIN WITHIN DIMENSIONS		DRAWING SIZE	THIRD ANGLE PROJECTION	105307	SEE SHEET 4	GENERAL MARKET	
					A3		DOCUMENT NUMBER	DOC TYPE	DOC PART	SHEET NUMBER
						SD-105307-100	PSD	000	3 OF 4	



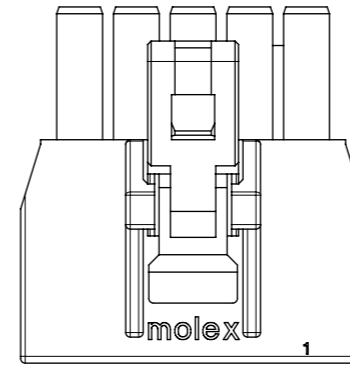
2 CKT



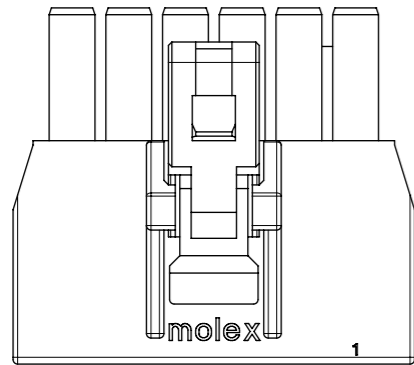
3 CKT



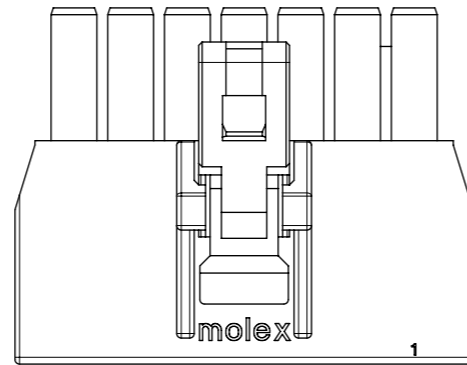
4 CKT



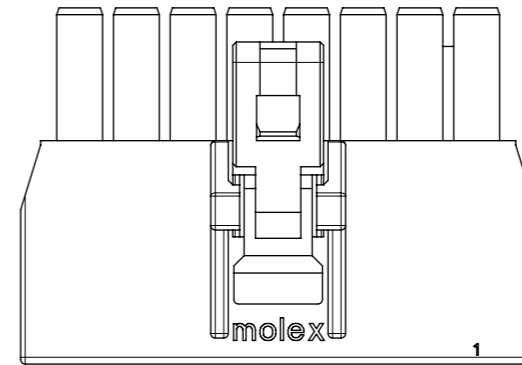
5 CKT



6 CKT



7 CKT



8 CKT

WITH TPA FEATURE			
PART No	DIM 'A'	CKT SIZE	COLOR
105307-1202	7.70	2	BLACK (KEY A)
105307-1203	10.20	3	
105307-1204	12.70	4	
105307-1205	15.20	5	
105307-1206	17.70	6	
105307-1207	20.20	7	
105307-1208	22.70	8	
105307-2202	7.70	2	
105307-2203	10.20	3	
105307-2204	12.70	4	
105307-2205	15.20	5	
105307-2206	17.70	6	
105307-2207	20.20	7	
105307-2208	22.70	8	

105307- * * * *

CIRCUIT SIZE

TPA OPTION: 1 - STANDARD
2 - WITH TPA

COLOR OPTION: 1 - BLACK
2 - NATURAL

<p>QUALITY SYMBOLS</p> <p>▽A = 0</p> <p>▽E = 0</p> <p>▽B = 0</p> <p>▼ = 0</p> <p>▽C = 0</p> <p>⊗ = 0</p> <p>■ = 0</p> <p>▽ = 0</p>				<p>THIS DRAWING CONTAINS INFORMATION THAT IS PROPRIETARY TO MOLEX ELECTRONIC TECHNOLOGIES, LLC AND SHOULD NOT BE USED WITHOUT WRITTEN PERMISSION</p>				<p>DRW BY: GLLI</p> <p>DATE: 2014/08/13</p>				<p>molex</p>			
<p>EC NO: 614394</p> <p>DRWN: GLLI</p> <p>CHK'D: AYIN</p> <p>REV APPR: AYIN</p>				<p>GENERAL TOLERANCES (UNLESS SPECIFIED)</p> <p>ANGULAR TOL ± 3.0 °</p> <p>4 PLACES ±</p> <p>3 PLACES ±</p> <p>2 PLACES ± 0.2</p> <p>1 PLACE ± 0.3</p> <p>0 PLACES ±</p>				<p>DIMENSION UNITS: mm</p> <p>SCALE: 3:1</p>				<p>RECEPTACLE OF NANO-FIT, S/R, TPA POWER CONNECTOR</p>			
<p>DRAFT WHERE APPLICABLE MUST REMAIN WITHIN DIMENSIONS</p>				<p>DRAWING SIZE: A3</p> <p>THIRD ANGLE PROJECTION</p>				<p>PRODUCT CUSTOMER DRAWING</p>							
<p>RELEASE STATUS: P1</p> <p>RELEASE DATE: 2019/04/17</p>				<p>DRW BY: GLLI</p> <p>DATE: 2015/04/08</p>				<p>SERIES: 105307</p> <p>MATERIAL NUMBER: SEE CHART</p> <p>CUSTOMER: GENERAL MARKET</p>							
<p>Downloaded From Oneyac.com</p>				<p>DOCUMENT NUMBER: SD-105307-100</p> <p>DOC TYPE: PSD</p> <p>DOC PART: 000</p> <p>SHEET NUMBER: 4 OF 4</p>				<p>DATE: 2015/11/16</p>							

单击下面可查看定价，库存，交付和生命周期等信息

[>>MOLEX](#)