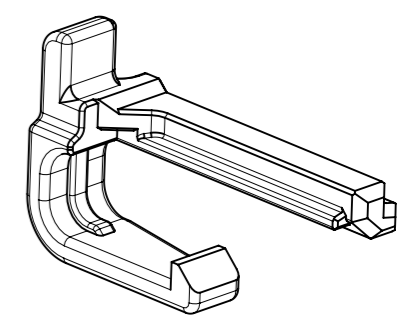
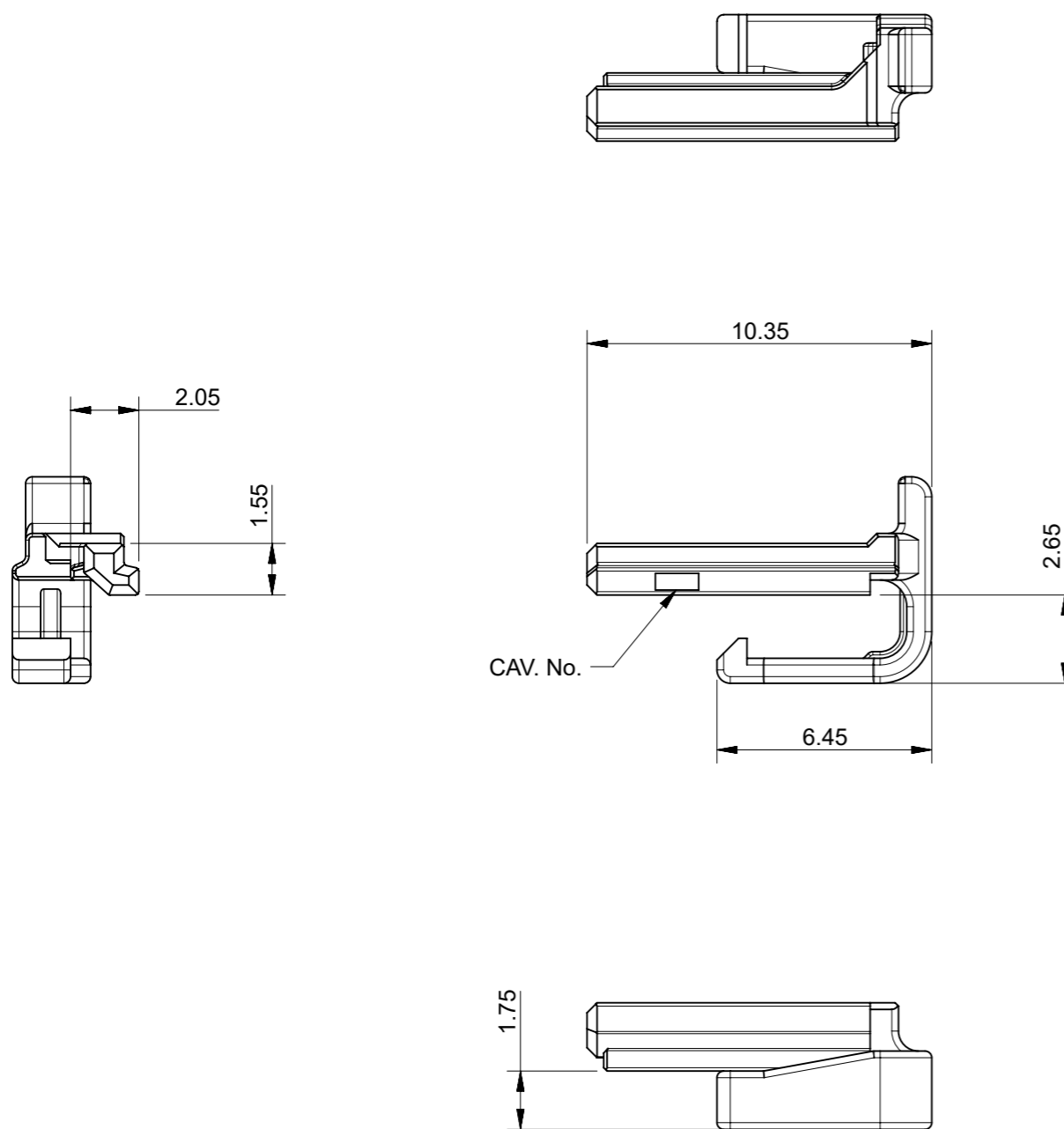


GENERAL TOLERANCE									USED ON	
10 MAX	30 MAX	50 MAX	70 MAX	100 MAX	120 MAX	250 MAX	250 OVER	ANGLE		ECCENT
±0.15	±0.20	±0.30	±0.40	±0.50	±0.75	±0.90	±1.4	±0.5°	0.1	



ISO VIEW

MATERIAL NUMBER

ORDER NO.	MATERIAL NO.	COLOR
560125-0400	5601250400	GRAY

- NOTES:
1. MATERIALS : POLYESTER (PBT)-GF17, UL94 V-0
 2. APPLICABLE HOUSING : 560123 SERIES
 3. GENERAL TOLERANCE : SEE TABLE
 4. EVL AND RoHS COMPLIANT
 5. PRODUCT SPECIFICATION : PS-560123-00*
 6. PACKING SPECIFICATION : PK-560125-001

FUNCTIONAL SYMBOLS	THIS DRAWING CONTAINS INFORMATION THAT IS PROPRIETARY TO MOLEX ELECTRONIC TECHNOLOGIES, LLC AND SHOULD NOT BE USED WITHOUT WRITTEN PERMISSION		CURRENT REV DESC: DRAWING REMASTERED							
	$\nabla_A = 0$ $\nabla_E = 0$ $\nabla_V = 0$	DIMENSION UNITS mm	SCALE 5:1	EC NO: 641821 DRWN: SAKIM CHK'D: TOSADA APPR: TOSADA		NEW 2.0 PITCH W/B CONN. REC. 4WAY ISL DURACLICK ISL SERIES				
DIVISIONAL SYMBOLS	GENERAL TOLERANCES (UNLESS SPECIFIED)		2020/07/17 2020/07/27 2020/07/27		PRODUCT CUSTOMER DRAWING					
	ANGULAR TOL ± ° 4 PLACES ± 3 PLACES ± 2 PLACES ± 1 PLACE ± 0 PLACES ±	INITIAL REVISION: DRWN: YIBAEK APPR: SRTAK		2014/07/03 2014/08/26		DOCUMENT NUMBER SD-560125-002				
DRAFT WHERE APPLICABLE MUST REMAIN WITHIN DIMENSIONS		THIRD ANGLE PROJECTION 	DRAWING A3-SIZE	SERIES 560125	MATERIAL NUMBER 5601250400	CUSTOMER GENERAL MARKET	DOC TYPE PSD	DOC PART 001	REVISION A2	SHEET NUMBER 1 OF 1

单击下面可查看定价，库存，交付和生命周期等信息

[>>MOLEX](#)