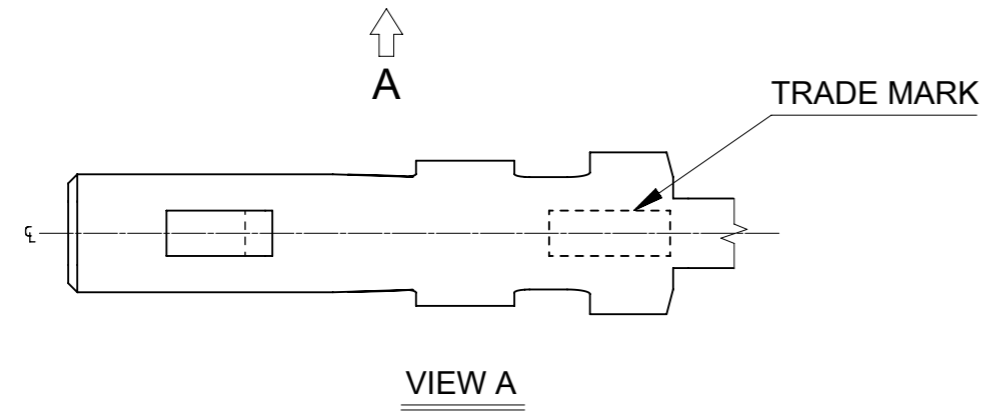


NOTES:

1. めっき仕様：表参照
PLATING:SEE TABLE
- △ 適合製品及び各種仕様書についてはSHEET 2及び SHEET 3を御参照ください。
PLEASE REFER TO SHEET 2 OR SHEET 3 FOR APPLICABLE PRODUCT AND VARIOUS SPECIFICATIONS.
3. 本製品は金めっき品である。
錫めっき品は5013340000-SD/PSD/000を御参照ください。
THIS PRODUCT IS GOLD PLATED.
PLEASE REFER TO 5013340000-SD/PSD/000 FOR TIN PLATED.



∅0.4-0.8mm	AWG#28-32	リール REEL	連鎖状 CHAIN	501193 9000	0.76 μm MIN
				501193 8000	0.38 μm MIN
				501193 7000	FLASH
絶縁被覆外径範囲 INS. RANGE	適用電線範囲 WIRE RANGE	梱包形態 PACKAGING	端子形状 FORM	発注番号 ORDER No.	接点部 金めっき厚 GOLD PLATING THICKNESS OF CONTACT

部品 PART	材質 MATERIAL
母材 MATERIAL	りん青銅 PHOSPHOR BRONZE
接点部 CONTACT	金めっき：めっき厚は表参照のこと GOLD PLATING：SEE TABLE FOR PLATING THICKNESS
下地めっき UNDER PLATING	ニッケルめっき NICKEL PLATING

THIS DRAWING CONTAINS INFORMATION THAT IS PROPRIETARY TO MOLEX ELECTRONIC TECHNOLOGIES, LLC AND SHOULD NOT BE USED WITHOUT WRITTEN PERMISSION

DIMENSION UNITS: mm SCALE: NTS CURRENT REV DESC: REVISED

molex

PICO-CLASP 1.0 WTB CONN
CRIMP TERMINAL GOLD PLATING

PRODUCT CUSTOMER DRAWING

EC NO: 658660
DRWN: MIKEDA01 2021/03/19
CHK'D: SAKIYAMA 2021/04/06
APPR: KOMURAKAMI 2021/04/06

INITIAL REVISION:
DRWN: AISHIKAWA 2018/12/19
APPR: SAKIYAMA 2019/01/28

DOCUMENT NUMBER: 5011930000-SD DOC TYPE: PSD DOC PART: 000 REVISION: D

DRAFT WHERE APPLICABLE MUST REMAIN WITHIN DIMENSIONS THIRD ANGLE PROJECTION DRAWING: A3-SIZE SERIES: 501193 MATERIAL NUMBER: 501193*000 CUSTOMER: GENERAL SHEET NUMBER: 1 OF 3

△ 適合製品及び各種仕様書 (標準仕様)
APPLICABLE PRODUCTS AND VARIOUS SPECIFICATIONS (STANDARD TYPE)

圧着端子 梱包仕様書 PACKAGING SPECIFICATION OF CRIMP TERMINAL	PART NUMBER	SPECIFICATION NUMBER
	501193 7000 / 8000 / 9000	SPK-501193-001

列 ROW	SINGLE											
適合ハウジング APPLICABLE HOUSING	INNER LOCK						OUTER LOCK					
シリーズ番号 SERIES No.	501330						501939					
適合嵌合相手 MATE WITH	SMT						SMT					
	VERTICAL			RIGHT ANGLE			VERTICAL			RIGHT ANGLE		
	GOLD PLATING (THICKNESS)			GOLD PLATING (THICKNESS)			GOLD PLATING (THICKNESS)			GOLD PLATING (THICKNESS)		
	0.1μm MIN	0.38μm MIN	0.76μm MIN	0.1μm MIN	0.38μm MIN	0.76μm MIN	0.1μm MIN	0.38μm MIN	0.76μm MIN	0.1μm MIN	0.38μm MIN	0.76μm MIN
シリーズ番号 SERIES No.	504449	203556	203557	202396	203558	203559	501940	203560	203561	501953	203562	203563
製品仕様書 PRODUCT SPECIFICATION	5013300000-PS 002						5019390000-PS 001					
取扱説明書 APPLICATION SPECIFICATION	5013300000-AS 000											

列 ROW	DUAL					
適合ハウジング APPLICABLE HOUSING	INNER LOCK					
シリーズ番号 SERIES No.	501189					
適合嵌合相手 MATE WITH	SMT					
	VERTICAL			RIGHT ANGLE		
	GOLD PLATING (THICKNESS)			GOLD PLATING (THICKNESS)		
	0.1μm MIN	0.38μm MIN	0.76μm MIN	0.1μm MIN	0.38μm MIN	0.76μm MIN
シリーズ番号 SERIES No.	501190	203564	203565	501571	203566	203567
製品仕様書 PRODUCT SPECIFICATION	5011890000-PS 001					
取扱説明書 APPLICATION SPECIFICATION	5011890000-AS 000					

※製品嵌合図は各"適合嵌合相手"図面参照のこと
 MATING VIEW : REFER TO EACH "MATE WITH" PART DRAWING

THIS DRAWING CONTAINS INFORMATION THAT IS PROPRIETARY TO MOLEX ELECTRONIC TECHNOLOGIES, LLC AND SHOULD NOT BE USED WITHOUT WRITTEN PERMISSION		CURRENT REV DESC: REVISED		molex		
DIMENSION UNITS	SCALE	EC NO: 658660				
mm	NTS	DRWN: MIKEDA01 2021/03/19		PICO-CLASP 1.0 WTB CONN CRIMP TERMINAL GOLD PLATING		
GENERAL TOLERANCES (UNLESS SPECIFIED)		CHK'D: SAKIYAMA 2021/04/06				
ANGULAR TOL	± 3.0 °	APPR: KOMURAKAMI 2021/04/06		PRODUCT CUSTOMER DRAWING		
4 PLACES	± 0.2	INITIAL REVISION:				
3 PLACES	± 0.2	DRWN: AISHIKAWA 2018/12/19		DOCUMENT NUMBER		
2 PLACES	± 0.2	APPR: SAKIYAMA 2019/01/28				
1 PLACE	± 0.2	MATERIAL NUMBER		5011930000-SD		
0 PLACES	± 0.2	CUSTOMER				
DRAFT WHERE APPLICABLE MUST REMAIN WITHIN DIMENSIONS		THIRD ANGLE PROJECTION	DRAWING	SERIES	SHEET NUMBER	
			A3-SIZE	501193	2 OF 3	

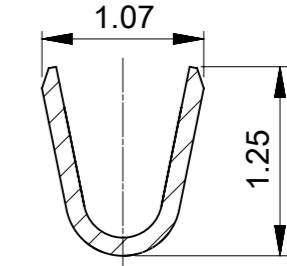
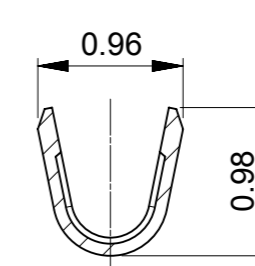
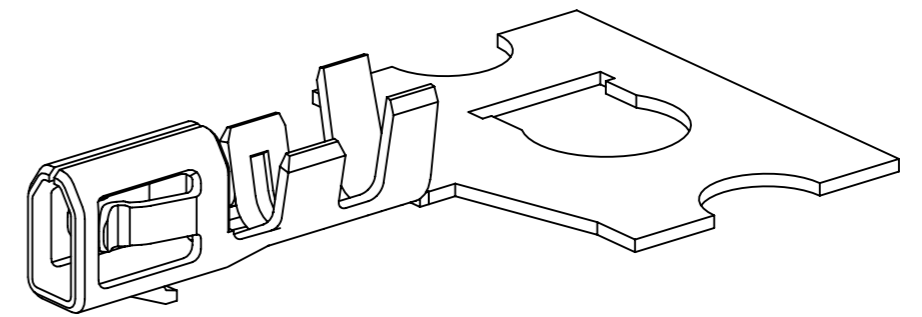
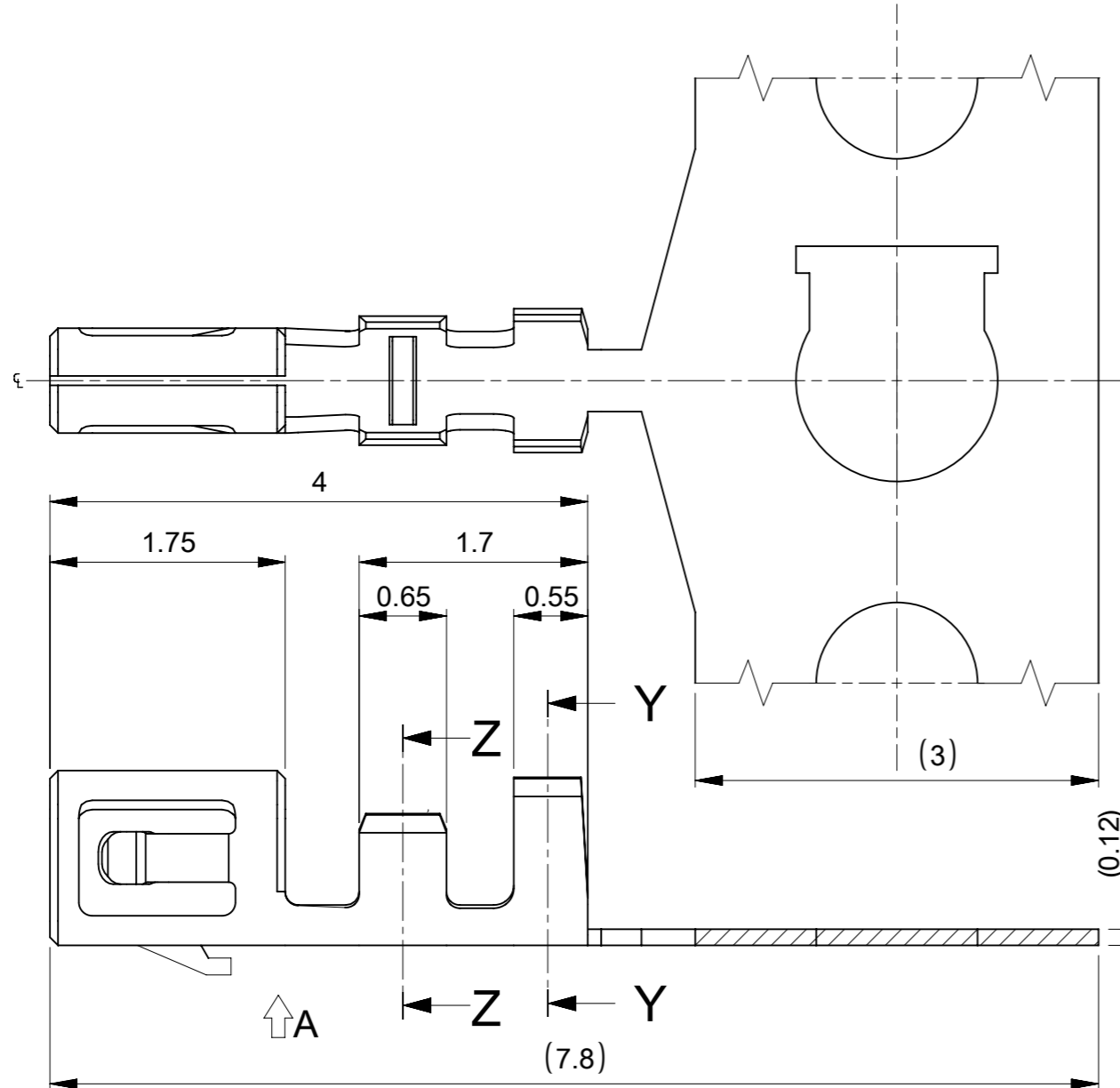
△ 適合製品及び各種仕様書 (ローハロゲン仕様)
 APPLICABLE PRODUCTS AND VARIOUS SPECIFICATIONS (LOW HALOGEN TYPE)

列 ROW	SINGLE											
適合ハウジング APPLICABLE HOUSING	INNER LOCK						OUTER LOCK					
シリーズ番号 SERIES No.	501330						501939					
適合嵌合相手 MATE WITH	SMT						SMT					
	VERTICAL			RIGHT ANGLE			VERTICAL			RIGHT ANGLE		
	GOLD PLATING (THICKNESS)			GOLD PLATING (THICKNESS)			GOLD PLATING (THICKNESS)			GOLD PLATING (THICKNESS)		
	0.1μm MIN	0.38μm MIN	0.76μm MIN	0.1μm MIN	0.38μm MIN	0.76μm MIN	0.1μm MIN	0.38μm MIN	0.76μm MIN	0.1μm MIN	0.38μm MIN	0.76μm MIN
シリーズ番号 SERIES No.	208381 ***7	208381 ***5	208381 ***3	208387 ***7	208387 ***5	208387 ***3	208383 ***7	208383 ***5	208383 ***3	208385 ***7	208385 ***5	208385 ***3
製品仕様書 PRODUCT SPECIFICATION	5013300000-PS 004						5019390000-PS 003					
取扱説明書 APPLICATION SPECIFICATION	5013300000-AS 001											

列 ROW	DUAL					
適合ハウジング APPLICABLE HOUSING	INNER LOCK					
シリーズ番号 SERIES No.	501189					
適合嵌合相手 MATE WITH	SMT					
	VERTICAL			RIGHT ANGLE		
	GOLD PLATING (THICKNESS)			GOLD PLATING (THICKNESS)		
	0.1μm MIN	0.38μm MIN	0.76μm MIN	0.1μm MIN	0.38μm MIN	0.76μm MIN
シリーズ番号 SERIES No.	208391 ***7	208391 ***5	208391 ***3	208393 ***7	208393 ***5	208393 ***3
製品仕様書 PRODUCT SPECIFICATION	5011890000-PS 002					
取扱説明書 APPLICATION SPECIFICATION	5011890000-AS 001					

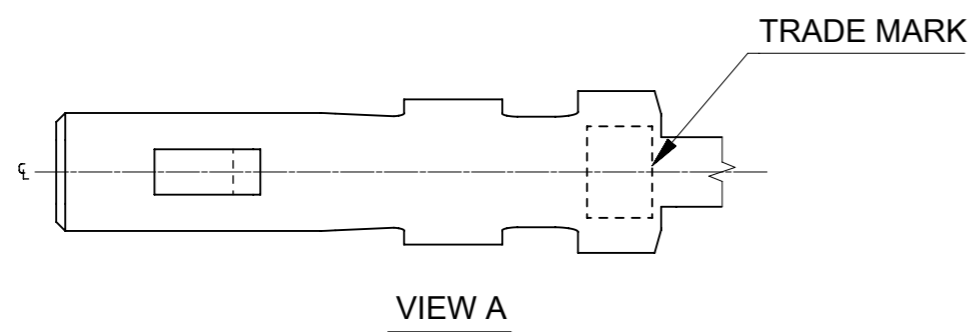
※製品嵌合図は各"適合嵌合相手"図面参照のこと
 MATING VIEW : REFER TO EACH "MATE WITH" PART DRAWING

THIS DRAWING CONTAINS INFORMATION THAT IS PROPRIETARY TO MOLEX ELECTRONIC TECHNOLOGIES, LLC AND SHOULD NOT BE USED WITHOUT WRITTEN PERMISSION									
DIMENSION UNITS	SCALE	CURRENT REV DESC: REVISED						molex	
mm	NTS								
GENERAL TOLERANCES (UNLESS SPECIFIED)								PICO-CLASP 1.0 WTB CONN CRIMP TERMINAL GOLD PLATING	
ANGULAR TOL	± 3.0 °							PRODUCT CUSTOMER DRAWING	
4 PLACES	± 0.2	EC NO: 658660						DOCUMENT NUMBER	
3 PLACES	± 0.2	DRWN: MIKEDA01	2021/03/19					5011930000-SD	
2 PLACES	± 0.2	CHK'D: SAKIYAMA	2021/04/06					PSD 000 D	
1 PLACE	± 0.2	APPR: KOMURAKAMI	2021/04/06					DOC TYPE	
0 PLACES	± 0.2	INITIAL REVISION:						DOC PART	
DRAFT WHERE APPLICABLE MUST REMAIN WITHIN DIMENSIONS		THIRD ANGLE PROJECTION		DRAWING		SERIES		REVISION	
				A3-SIZE		501193		3 OF 3	
				MATERIAL NUMBER		CUSTOMER		SHEET NUMBER	
				501193*000		GENERAL		3 OF 3	



NOTES:

1. めっき仕様：表参照
PLATING:SEE TABLE
- △ 適合製品及び各種仕様書についてはSHEET 2及び SHEET 3を御参照ください。
PLEASE REFER TO SHEET 2 OR SHEET 3 FOR APPLICABLE PRODUCT AND VARIOUS SPECIFICATIONS.
3. 本製品は金めっき品である。
錫めっき品は5013340000-SD/PSD/000を御参照ください。
THIS PRODUCT IS GOLD PLATED.
PLEASE REFER TO 5013340000-SD/PSD/000 FOR TIN PLATED.



∅0.4-0.8mm	AWG#28-32	リール REEL	連鎖状 CHAIN	501193 9000	0.76 µm MIN
				501193 8000	0.38 µm MIN
				501193 7000	0.1 µm MIN
絶縁被覆外径範囲 INS. RANGE	適用電線範囲 WIRE RANGE	梱包形態 PACKAGING	端子形状 FORM	発注番号 ORDER No.	接点部 金めっき厚 GOLD PLATING THICKNESS OF CONTACT

部品 PART		材質 MATERIAL
ターミナル TERMINAL	母材 MATERIAL	りん青銅 PHOSPHOR BRONZE
	接点部 CONTACT	金めっき：めっき厚は表参照のこと GOLD PLATING：SEE TABLE FOR PLATING THICKNESS
	下地めっき UNDER PLATING	ニッケルめっき NICKEL PLATING

THIS DRAWING CONTAINS INFORMATION THAT IS PROPRIETARY TO MOLEX ELECTRONIC TECHNOLOGIES, LLC AND SHOULD NOT BE USED WITHOUT WRITTEN PERMISSION

DIMENSION UNITS mm	SCALE NTS	CURRENT REV DESC: NEW RELEASE		molex			
GENERAL TOLERANCES (UNLESS SPECIFIED)		EC NO: 813817					PICO-CLASP 1.0 WTB CONN CRIMP TERMINAL GOLD PLATING
ANGULAR TOL	± 3.0 °	DRWN: HHUSSIN		PRODUCT CUSTOMER DRAWING			
4 PLACES	± 0.2	CHK'D: SAKIYAMA		DOCUMENT NUMBER			
3 PLACES	± 0.2	APPR: AIDA		5011937000-SD		DOC TYPE	
2 PLACES	± 0.2	INITIAL REVISION:		000	DOC PART	REVISION	
1 PLACE	± 0.2	DRWN: HHUSSIN		A			
0 PLACES	± 0.2	APPR: AIDA					
DRAFT WHERE APPLICABLE MUST REMAIN WITHIN DIMENSIONS		THIRD ANGLE PROJECTION	DRAWING	SERIES	MATERIAL NUMBER	CUSTOMER	SHEET NUMBER
			A3-SIZE	501193	501193*000	GENERAL	1 OF 3

△ 適合製品及び各種仕様書 (標準仕様)
APPLICABLE PRODUCTS AND VARIOUS SPECIFICATIONS (STANDARD TYPE)

圧着端子 梱包仕様書 PACKAGING SPECIFICATION OF CRIMP TERMINAL	PART NUMBER	SPECIFICATION NUMBER
	501193 7000 / 8000 / 9000	SPK-501193-001

列 ROW	SINGLE											
適合ハウジング APPLICABLE HOUSING	INNER LOCK						OUTER LOCK					
シリーズ番号 SERIES No.	501330						501939					
適合嵌合相手 MATE WITH	SMT						SMT					
	VERTICAL			RIGHT ANGLE			VERTICAL			RIGHT ANGLE		
	GOLD PLATING (THICKNESS)			GOLD PLATING (THICKNESS)			GOLD PLATING (THICKNESS)			GOLD PLATING (THICKNESS)		
	0.1μm MIN	0.38μm MIN	0.76μm MIN	0.1μm MIN	0.38μm MIN	0.76μm MIN	0.1μm MIN	0.38μm MIN	0.76μm MIN	0.1μm MIN	0.38μm MIN	0.76μm MIN
シリーズ番号 SERIES No.	504449	203556	203557	202396	203558	203559	501940	203560	203561	501953	203562	203563
製品仕様書 PRODUCT SPECIFICATION	5013300000-PS 002						5019390000-PS 001					
取扱説明書 APPLICATION SPECIFICATION	5013300000-AS 000											

列 ROW	DUAL					
適合ハウジング APPLICABLE HOUSING	INNER LOCK					
シリーズ番号 SERIES No.	501189					
適合嵌合相手 MATE WITH	SMT					
	VERTICAL			RIGHT ANGLE		
	GOLD PLATING (THICKNESS)			GOLD PLATING (THICKNESS)		
	0.1μm MIN	0.38μm MIN	0.76μm MIN	0.1μm MIN	0.38μm MIN	0.76μm MIN
シリーズ番号 SERIES No.	501190	203564	203565	501571	203566	203567
製品仕様書 PRODUCT SPECIFICATION	5011890000-PS 001					
取扱説明書 APPLICATION SPECIFICATION	5011890000-AS 000					

※製品嵌合図は各"適合嵌合相手"図面参照のこと
 MATING VIEW : REFER TO EACH "MATE WITH" PART DRAWING

THIS DRAWING CONTAINS INFORMATION THAT IS PROPRIETARY TO MOLEX ELECTRONIC TECHNOLOGIES, LLC AND SHOULD NOT BE USED WITHOUT WRITTEN PERMISSION											
DIMENSION UNITS	SCALE	CURRENT REV DESC: NEW RELEASE									
mm	NTS	molex									
GENERAL TOLERANCES (UNLESS SPECIFIED)											
ANGULAR TOL	± 3.0 °	PICO-CLASP 1.0 WTB CONN CRIMP TERMINAL GOLD PLATING									
4 PLACES	± 0.2										
3 PLACES	± 0.2	PRODUCT CUSTOMER DRAWING									
2 PLACES	± 0.2										
1 PLACE	± 0.2	INITIAL REVISION:									
0 PLACES	± 0.2										
DRAFT WHERE APPLICABLE MUST REMAIN WITHIN DIMENSIONS		THIRD ANGLE PROJECTION	DRAWING	SERIES	MATERIAL NUMBER	CUSTOMER	DOCUMENT NUMBER	DOC TYPE	DOC PART	REVISION	
			A3-SIZE	501193	501193*000	GENERAL	5011937000-SD	PSD	000	A	
											SHEET NUMBER 2 OF 3

△ 適合製品及び各種仕様書 (ローハロゲン仕様)
 APPLICABLE PRODUCTS AND VARIOUS SPECIFICATIONS (LOW HALOGEN TYPE)

列 ROW	SINGLE											
適合ハウジング APPLICABLE HOUSING	INNER LOCK						OUTER LOCK					
シリーズ番号 SERIES No.	501330						501939					
適合嵌合相手 MATE WITH	SMT						SMT					
	VERTICAL			RIGHT ANGLE			VERTICAL			RIGHT ANGLE		
	GOLD PLATING (THICKNESS)			GOLD PLATING (THICKNESS)			GOLD PLATING (THICKNESS)			GOLD PLATING (THICKNESS)		
	0.1μm MIN	0.38μm MIN	0.76μm MIN	0.1μm MIN	0.38μm MIN	0.76μm MIN	0.1μm MIN	0.38μm MIN	0.76μm MIN	0.1μm MIN	0.38μm MIN	0.76μm MIN
シリーズ番号 SERIES No.	208381 ***7	208381 ***5	208381 ***3	208387 ***7	208387 ***5	208387 ***3	208383 ***7	208383 ***5	208383 ***3	208385 ***7	208385 ***5	208385 ***3
製品仕様書 PRODUCT SPECIFICATION	5013300000-PS 004						5019390000-PS 003					
取扱説明書 APPLICATION SPECIFICATION	5013300000-AS 001											

列 ROW	DUAL					
適合ハウジング APPLICABLE HOUSING	INNER LOCK					
シリーズ番号 SERIES No.	501189					
適合嵌合相手 MATE WITH	SMT					
	VERTICAL			RIGHT ANGLE		
	GOLD PLATING (THICKNESS)			GOLD PLATING (THICKNESS)		
	0.1μm MIN	0.38μm MIN	0.76μm MIN	0.1μm MIN	0.38μm MIN	0.76μm MIN
シリーズ番号 SERIES No.	208391 ***7	208391 ***5	208391 ***3	208393 ***7	208393 ***5	208393 ***3
製品仕様書 PRODUCT SPECIFICATION	5011890000-PS 002					
取扱説明書 APPLICATION SPECIFICATION	5011890000-AS 001					

※製品嵌合図は各"適合嵌合相手"図面参照のこと
 MATING VIEW : REFER TO EACH "MATE WITH" PART DRAWING

THIS DRAWING CONTAINS INFORMATION THAT IS PROPRIETARY TO MOLEX ELECTRONIC TECHNOLOGIES, LLC AND SHOULD NOT BE USED WITHOUT WRITTEN PERMISSION											
DIMENSION UNITS	SCALE	CURRENT REV DESC: NEW RELEASE									
mm	NTS	molex									
GENERAL TOLERANCES (UNLESS SPECIFIED)											
ANGULAR TOL	± 3.0 °	PICO-CLASP 1.0 WTB CONN CRIMP TERMINAL GOLD PLATING									
4 PLACES	± 0.2										
3 PLACES	± 0.2	PRODUCT CUSTOMER DRAWING									
2 PLACES	± 0.2										
1 PLACE	± 0.2	INITIAL REVISION:									
0 PLACES	± 0.2										
DRAFT WHERE APPLICABLE MUST REMAIN WITHIN DIMENSIONS		THIRD ANGLE PROJECTION	DRAWING	SERIES	MATERIAL NUMBER	CUSTOMER	DOCUMENT NUMBER	DOC TYPE	DOC PART	REVISION	
			A3-SIZE	501193	501193*000	GENERAL	5011937000-SD	PSD	000	A	

单击下面可查看定价，库存，交付和生命周期等信息

[>>MOLEX](#)