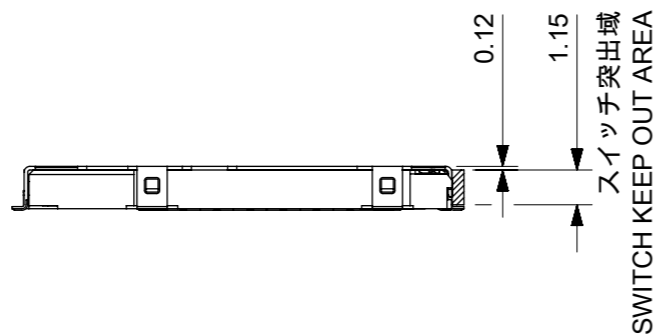
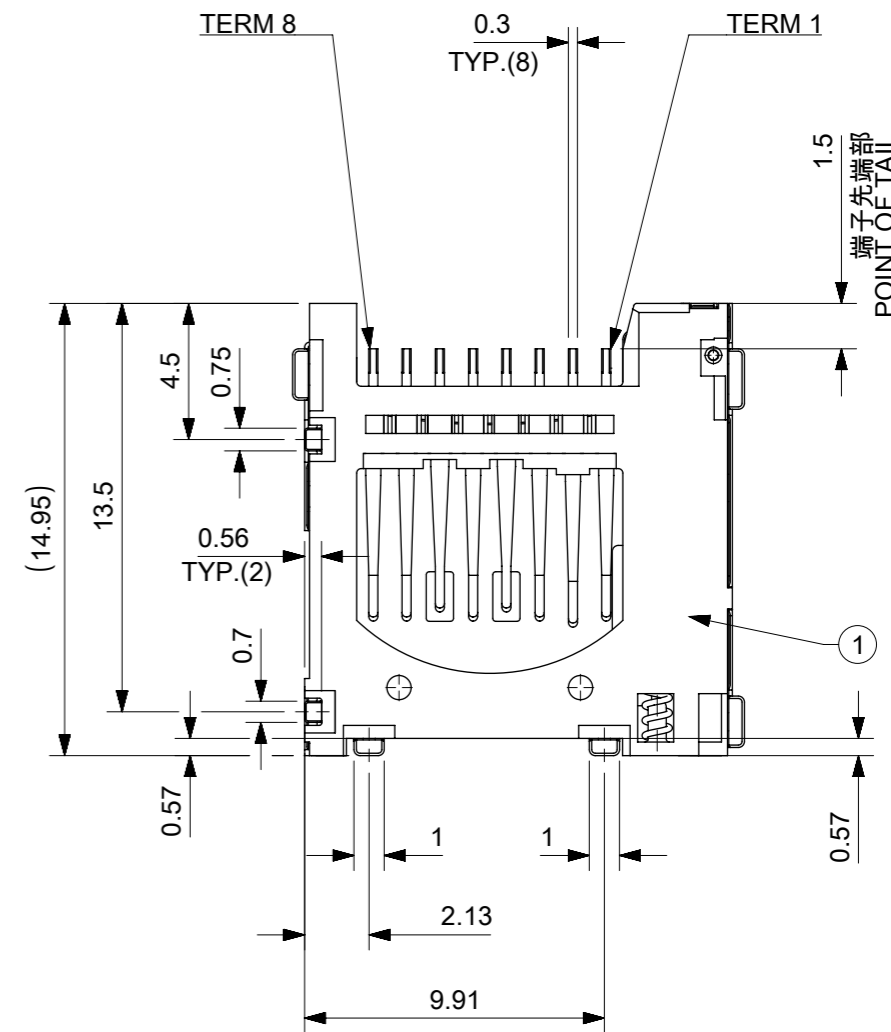
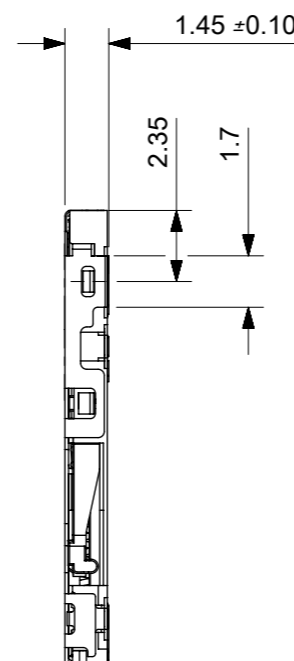
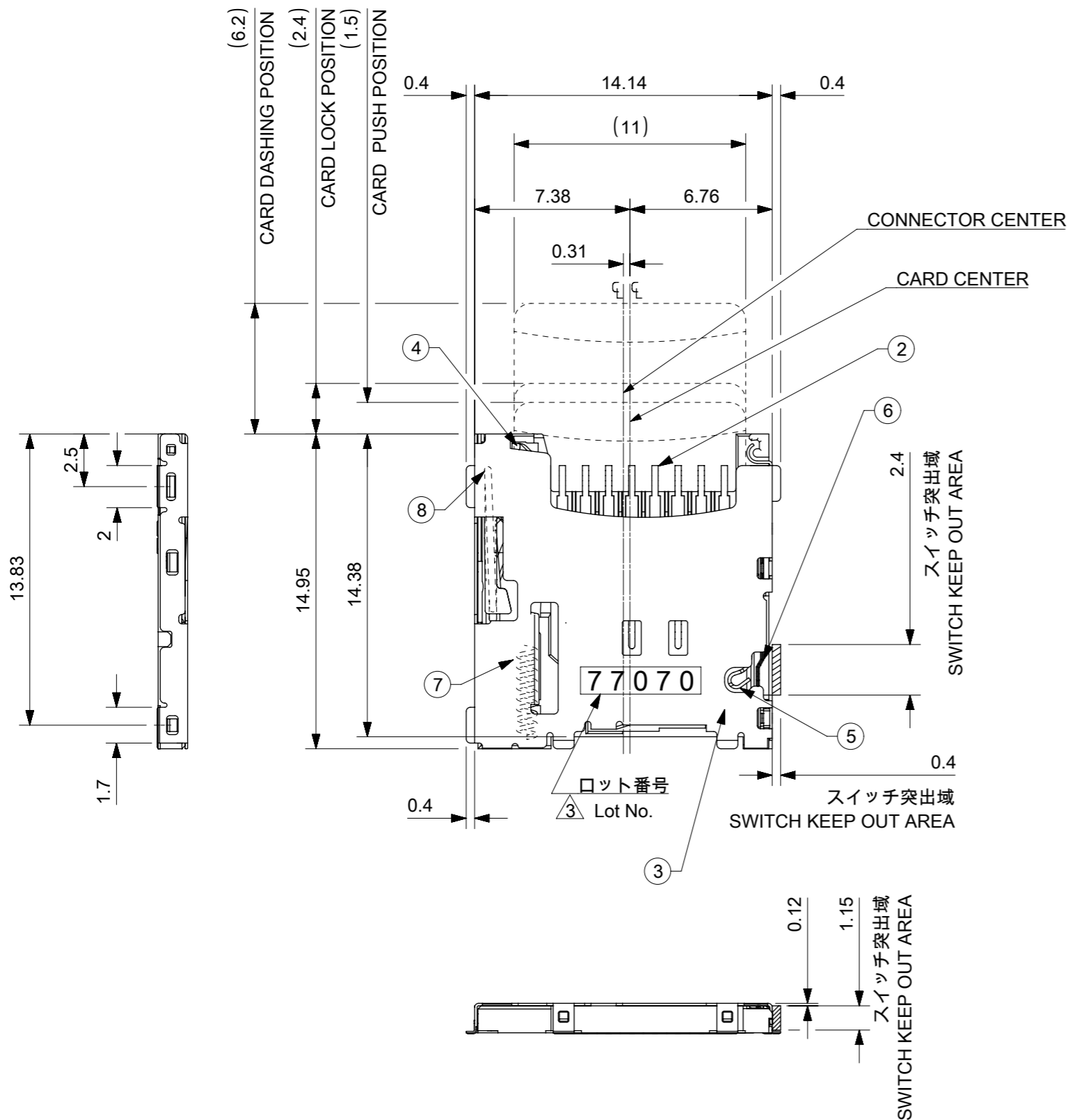
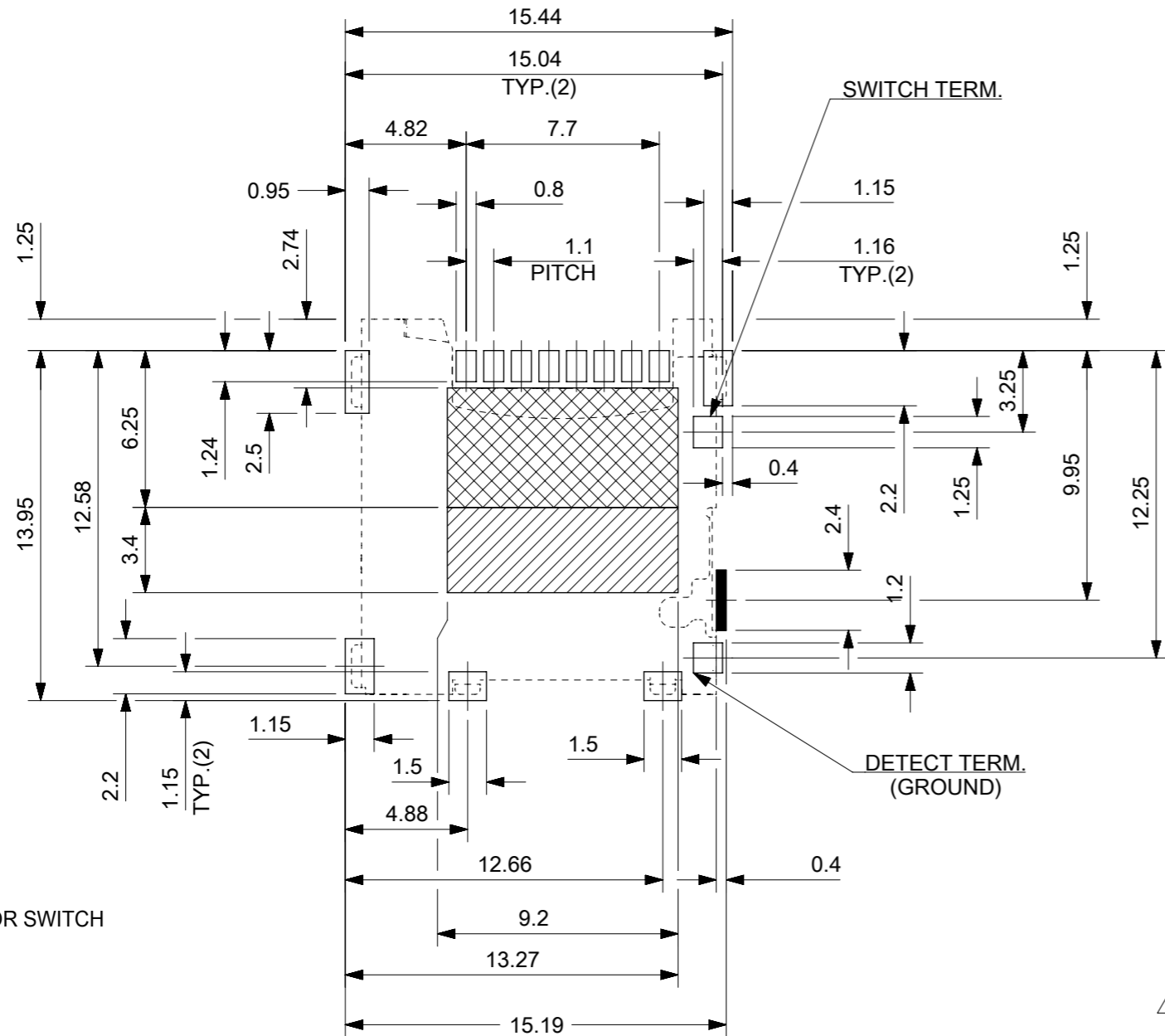


TERM 1: DATA 2  
 TERM 2: CD/DAT 3  
 TERM 3: CMD  
 TERM 4: vdd  
 TERM 5: CLK  
 TERM 6: Vss  
 TERM 7: DAT0  
 TERM 8: DAT1



SYMBOLS	THIS DRAWING CONTAINS INFORMATION THAT IS PROPRIETARY TO MOLEX ELECTRONIC TECHNOLOGIES, LLC AND SHOULD NOT BE USED WITHOUT WRITTEN PERMISSION		CURRENT REV DESC: REMASTERED IN ECTR		<b>molex</b>		
	▽ = 0	mm					
▽ = 0	GENERAL TOLERANCES (UNLESS SPECIFIED)		EC NO: 623577		MICRO SD CONN. NORMAL ULTRA LOW-PROFILE ASSY		
▽ = 0	ANGULAR TOL ± °		DRWN: KSUTAR 2019/08/30		PRODUCT CUSTOMER DRAWING		
▽ = 0	4 PLACES ±		CHK'D: GB 2019/09/05		DOCUMENT NUMBER		
▽ = 0	3 PLACES ±		APPR: GGA 2019/09/05		SD-503182-011		DOC TYPE DOC PART REVISION
▽ = 0	2 PLACES ±		INITIAL REVISION:		PSD 001		C
▽ = 0	1 PLACE ±		DRWN: YGOTO 2013/03/08		MATERIAL NUMBER		SHEET NUMBER
▽ = 0	0 PLACES ±		APPR: YOITO 2013/03/12		CUSTOMER		1 OF 2
■ = 0	DRAFT WHERE APPLICABLE MUST REMAIN WITHIN DIMENSIONS		THIRD ANGLE PROJECTION		SEE CHART		GENERAL MARKET
▽ = 0			DRAWING A3-SIZE		SERIES 503182		

503182-1852	8
EMBOSSSED TAPE	極数
ORDER No. オーダー番号	CIRCUITS
CONNECTOR SERIES No. 503182-**-42	



RECOMMENDED  
PCB PATTERN LAYOUT  
(GENERAL TOLERANCE : ±0.05)

部品搭載禁止エリア  
KEEP OUT AREA FOR SWITCH

パターン禁止エリア  
PATTERN PROHIBITION AREA

半田付け禁止エリア  
SOLDER PROHIBITION AREA

番号	番号 NAME	名称 MATERIAL
①	ハウジング HOUSING	液晶ポリマー(LCP) LIQUID CRYSTAL POLYMER (LCP)
②	ターミナル TERMINAL	銅合金、接点部：金めっき 半田付部：錫めっき 下地：ニッケルめっき COPPER ALLOY, CONTACT AREA:GOLD TAIL AREA:TIN UNDER PLATING:NICKEL
③	メタルシェル METAL SHELL	ステンレス鋼、半田付け部：金めっき 下地：ニッケルめっき STAINLESS STEEL, TAIL AREA:GOLD UNDER PLATING:NICKEL
④	カムスライダ CAM SLIDER	液晶ポリマー(LCP) LIQUID CRYSTAL POLYMER (LCP)
⑤	ディテクトネイル DETECT NAIL	銅合金、接点部：金めっき 半田付部：金めっき 下地：ニッケルめっき COPPER ALLOY, CONTACT AREA:GOLD TAIL AREA:GOLD UNDER PLATING:NICKEL
⑥	スイッチネイル SWITCH NAIL	銅合金、接点部：金めっき 半田付部：金めっき 下地：ニッケルめっき COPPER ALLOY, CONTACT AREA:GOLD TAIL AREA:GOLD UNDER PLATING:NICKEL
⑦	スプリング SPRING	ピアノ線 SWP
⑧	カムピン CAM PIN	ステンレス鋼 STAINLESS STEEL

NOTES:

- ターミナル及びネイルの平坦度は0.1MAX.とする。  
COPLANARITY OF TERMINAL AND NAIL IS TO BE 0.1MAX.
- ② スタンドオフ寸法  
DIMENSIONS OF STAND OFF.
- ③ ロット印字は任意とする  
LOT NUMBERING IS TO BE OPTIONAL.
- 肉抜き位置は任意とする。  
CAVITY IS TO BE OPTIONAL.
- カード検知スイッチ  
DETECT SWITCH
- ELV及びRoHS適合品  
ELV AND RoHS COMPLIANT.

カード挿入時 CARD INSERTING POSITION	クローズ CLOSED
カード未挿入時 NO CARD POSITION	オープン OPEN

ロットNo. : 7 7 0 7 0  
 西暦 (1桁目) : 7 : 2007年  
 月 : 7月  
 日 : 07日  
 ラインNo. : 07  
 LINE No.

GENERAL TOLERANCE (UNLESS SPECIFIED)	
10 UNDER	±0.2
10 OVER 30 UNDER	±0.25
30 OVER	±0.3
ANGULAR ±1°	
DRAFT WHERE APLLICABLE MUST REMAIN WITHIN DIMENSIONS	

THIS DRAWING CONTAINS INFORMATION THAT IS PROPRIETARY TO MOLEX ELECTRONIC TECHNOLOGIES, LLC AND SHOULD NOT BE USED WITHOUT WRITTEN PERMISSION

SYMBOLS:  $\nabla = 0$ ,  $\nabla = 0$ ,  $\nabla = 0$ ,  $\nabla = 0$ ,  $\nabla = 0$ ,  $\nabla = 0$ ,  $\nabla = 0$ ,  $\nabla = 0$ ,  $\nabla = 0$ ,  $\nabla = 0$

DIMENSION UNITS: mm SCALE: 4:1

GENERAL TOLERANCES (UNLESS SPECIFIED): ANGULAR TOL ± °

4 PLACES ±, 3 PLACES ±, 2 PLACES ±, 1 PLACE ±, 0 PLACES ±

DRAFT WHERE APLLICABLE MUST REMAIN WITHIN DIMENSIONS

THIRD ANGLE PROJECTION:

DRAWING: A3-SIZE SERIES: 503182

CURRENT REV DESC: REMASTERED IN ECTR

EC NO: 623577 DRWN: KSUTAR 2019/08/30  
 CHK'D: GB 2019/09/05  
 APPR: GGA 2019/09/05

INITIAL REVISION: DRWN: YGOTO 2013/03/08  
 APPR: YOITO 2013/03/12

DOCUMENT NUMBER: SD-503182-011 DOC TYPE: PSD DOC PART: 001 REVISION: C

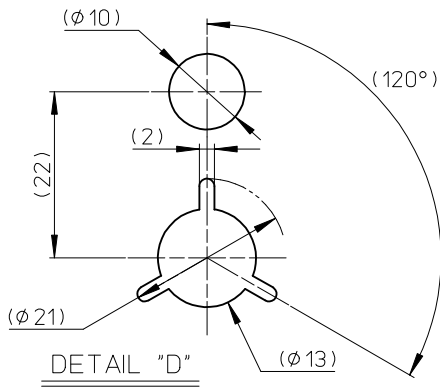
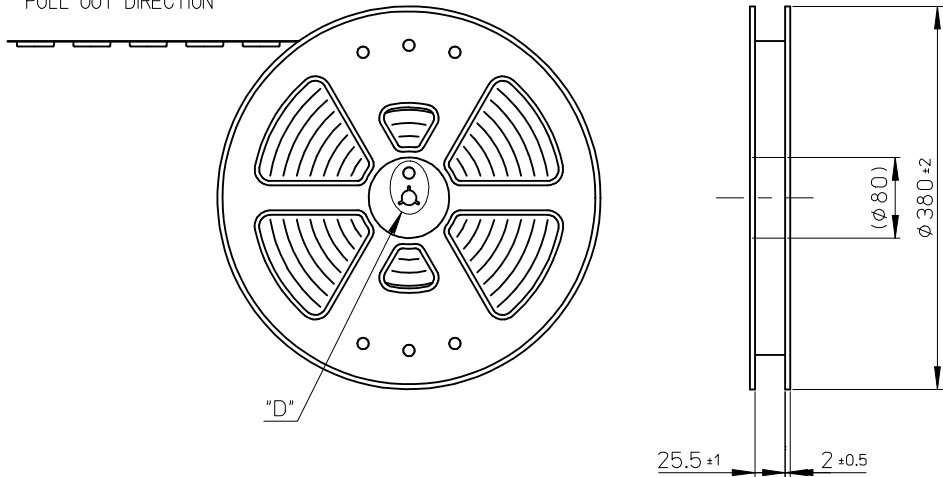
MATERIAL NUMBER: SEE SHEET 1 OF 2 CUSTOMER: GENERAL MARKET SHEET NUMBER: 2 OF 2

**molex**

MICRO SD CONN. NORMAL ULTRA LOW-PROFILE ASSY

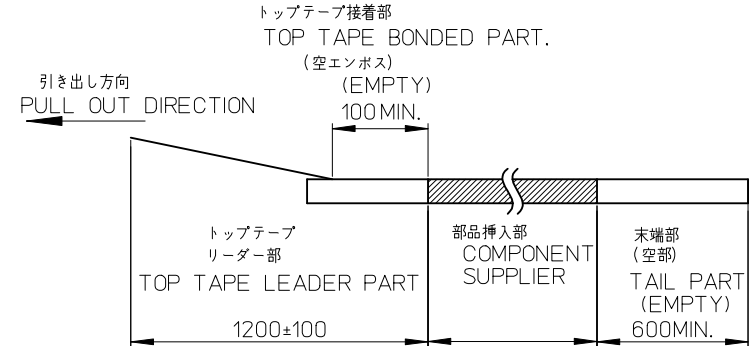
PRODUCT CUSTOMER DRAWING

引き出し方向  
PULL OUT DIRECTION



NOTES

- 製品詳細寸法は製品単体図面を参照して下さい。  
FOR DETAIL OF CONNECTOR DIMENSIONS, PLEASE SEE THE DRAWING OF CONNECTOR ITSELF (NOT PACKAGED).
- 梱包数量: 1600個/リール  
NUMBER OF CONNECTORS: 1600 PCS/REEL.
- リードテープ長さ LEAD TAPE LENGTH.



- 材料 MATERIAL  
キャリアテープ(CARRIER TAPE): ポリスチレン (POLYSTYRENE)  
トップテープ(TOP TAPE): PET, PE, PEF  
リール(REEL): ポリスチレン(PS)<リサイクル材含む>  
POLYSTYRENE (PS)<RECYCLE MATERIAL CONTAINED>
- ELV AND RoHS COMPLIANT

503182-1852	8
EMBOSSED TAPE	極数
ORDER No. オーダー番号	CIRCUITS
CONNECTOR SERIES No. 503182-***42	

RELEASED EC NO.: J2013-0986 DRWN: YGOTO 2013/03/08 CHKD: MTOMITA 2013/03/08 APPR: YOITO 2013/03/12	DESCRIPTION REV: A	GENERAL TOLERANCES (UNLESS SPECIFIED)		DIMENSION STYLE MM ONLY		SCALE ---	DESIGN UNITS METRIC	THIRD ANGLE PROJECTION		
		10 UNDER	±0.2	DRAWN BY YGOTO	DATE 2013/03/08	TITLE MICRO SD CONN. ULTRA LOW-PRO EMBOSSED TAPE PACKAGE				
		10 OVER 30 UNDER	±0.25	CHECKED BY MTOMITA	DATE 2013/03/08	<b>molex</b> DOCUMENT NO. SD-503182-012 SHEET NO. 1 OF 2				
		30 OVER	±0.3	APPROVED BY YOITO	DATE 2013/03/12					
ANGULAR ±1 °		DRAFT WHERE APPLICABLE MUST REMAIN WITHIN DIMENSIONS		MATERIAL NO. SEE CHART		THIS DRAWING CONTAINS INFORMATION THAT IS PROPRIETARY TO MOLEX INCORPORATED AND SHOULD NOT BE USED WITHOUT WRITTEN PERMISSION				

10 9 8 7 6 5 4 3 2 1

F

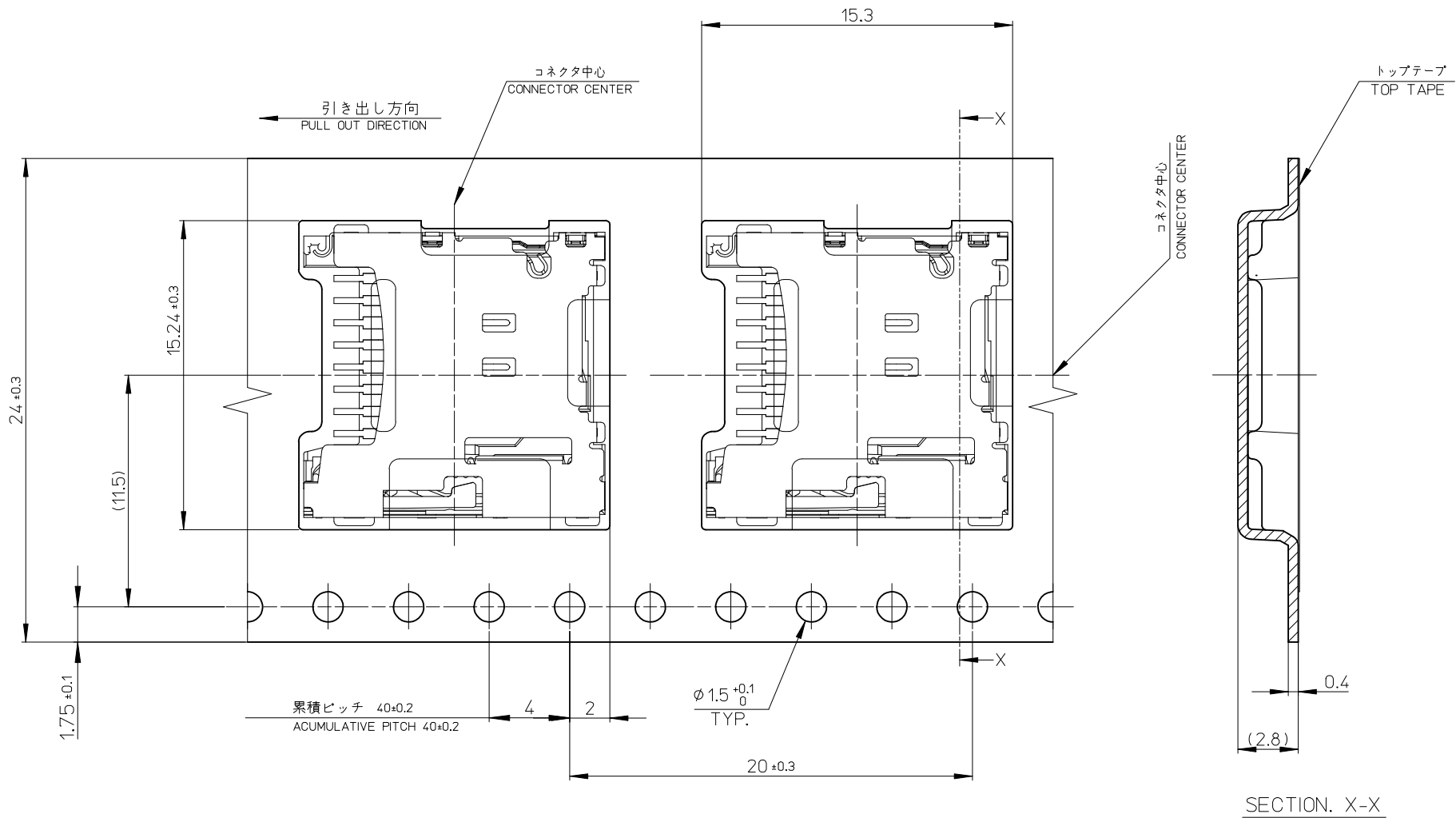
E

D

C

B

A



<b>RELEASED</b> EC NO.: J2013-0986 DRWN: YGOTO CHKD: MTOMITA APPR: YOITO	2013/03/08 2013/03/08 2013/03/12	GENERAL TOLERANCES (UNLESS SPECIFIED)		DIMENSION STYLE	SCALE	DESIGN UNITS	THIRD ANGLE PROJECTION	
				MM ONLY	5:1	METRIC		
		10 UNDER	± 0.2	DRAWN BY	DATE	TITLE		
		10 OVER 30 UNDER	± 0.25	YGOTO	2013/03/08	MICRO SD CONN. ULTRA LOW-PRO EMBOSSED TAPE PACKAGE <b>molex</b>		
30 OVER	± 0.3	CHECKED BY	DATE	DOCUMENT NO.				
ANGULAR ± 1 °		MTOMITA	2013/03/08	SEE SHEET 1 OF 2		SD-503182-012	2 OF 2	
DRAFT WHERE APPLICABLE MUST REMAIN WITHIN DIMENSIONS		YOITO	2013/03/12	THIS DRAWING CONTAINS INFORMATION THAT IS PROPRIETARY TO MOLEX INCORPORATED AND SHOULD NOT BE USED WITHOUT WRITTEN PERMISSION				
A	REV			SIZE				
				A3				

9

8

7

6

5

4

3

2

单击下面可查看定价，库存，交付和生命周期等信息

[>>MOLEX](#)