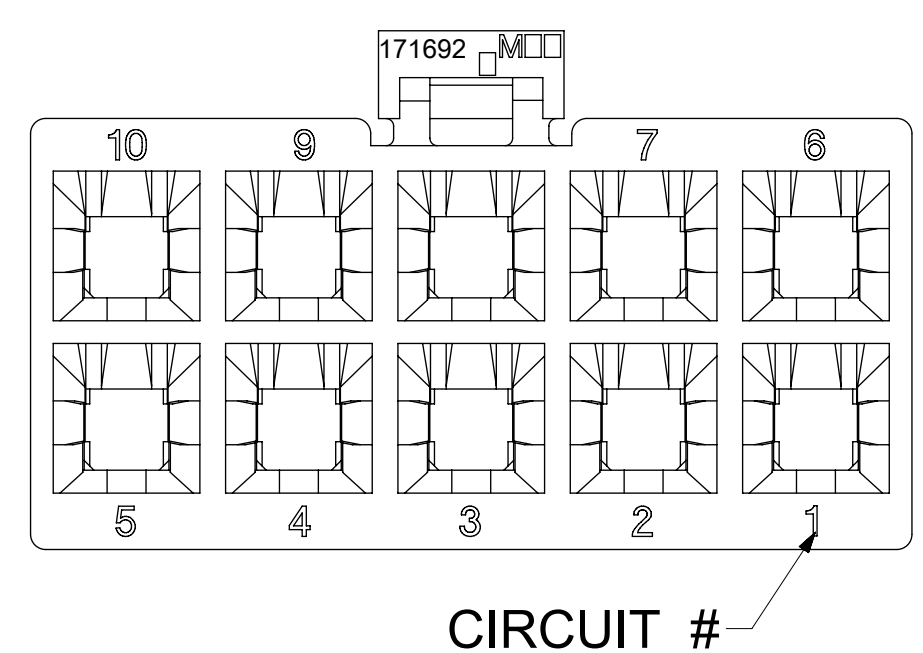
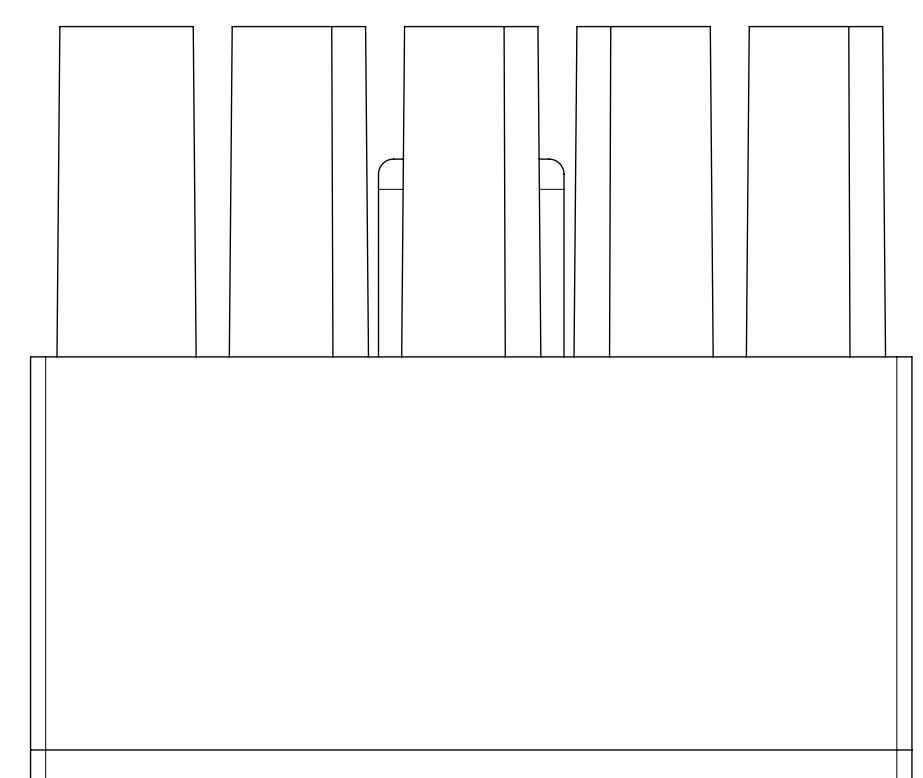
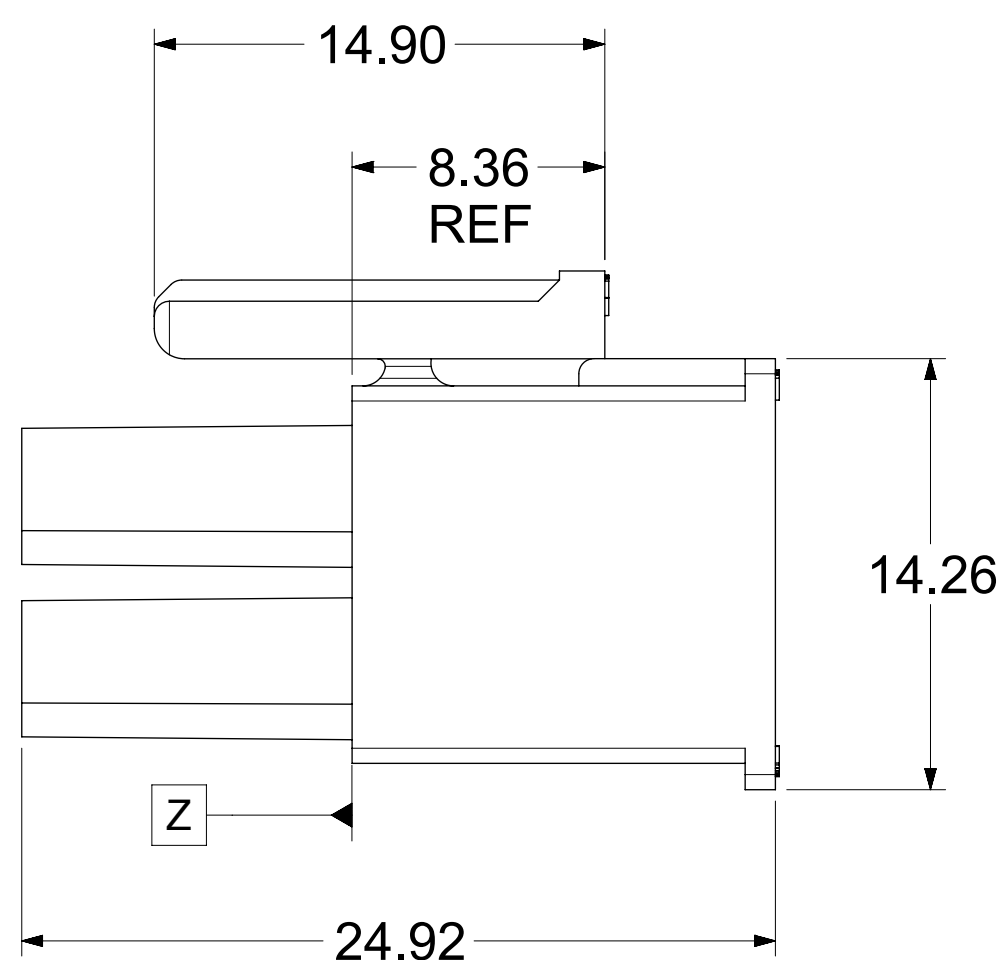
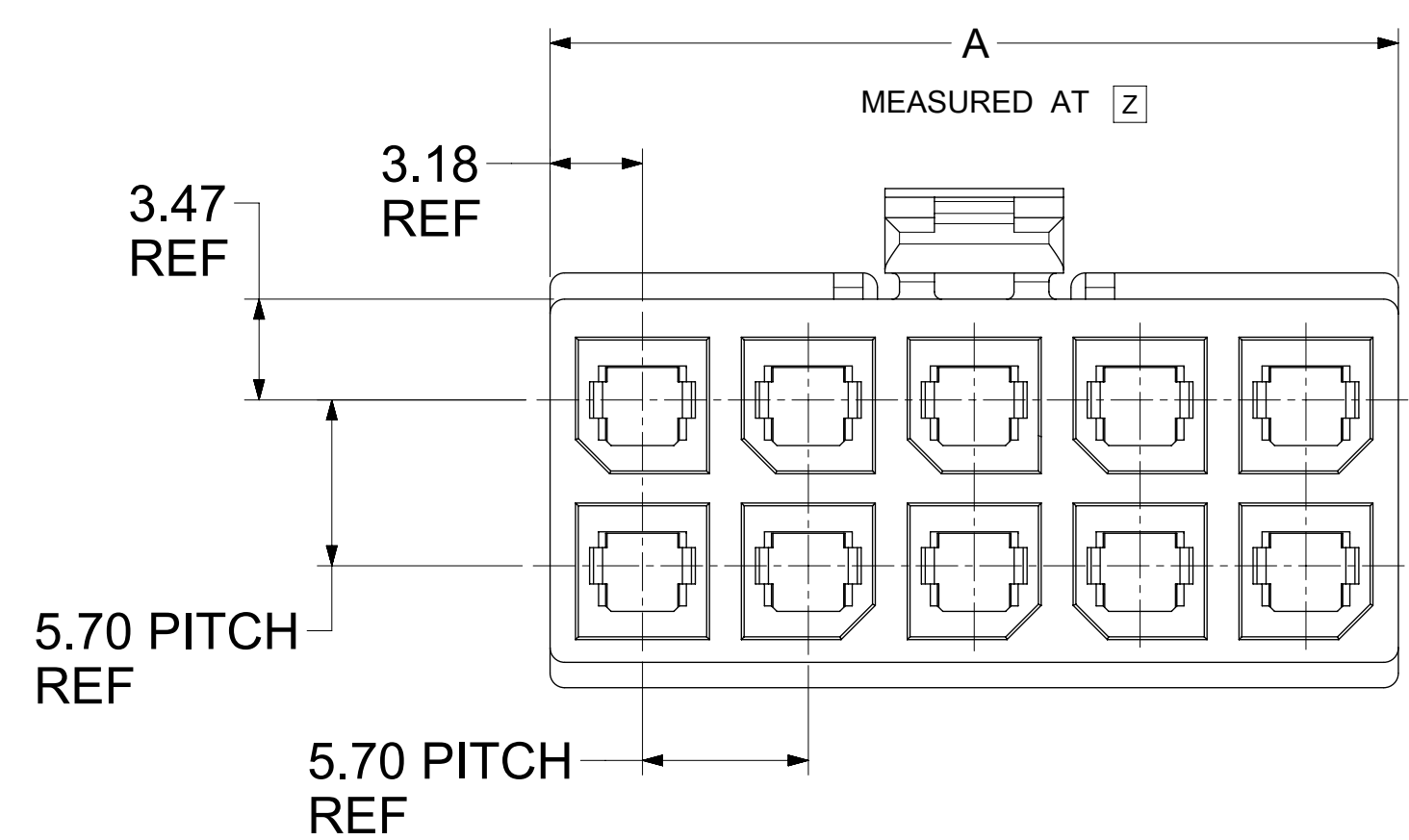


171692-0110



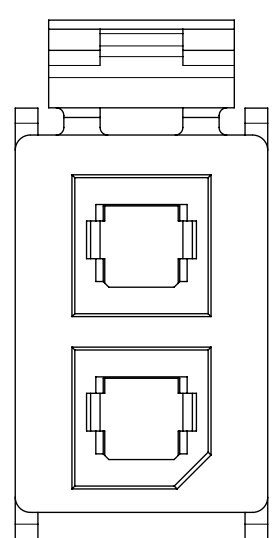
CKT NO	PART NO	DIM A
2	171692-0102	8.35
4	171692-0104	12.05
6	171692-0106	17.75
8	171692-0108	23.45±0.40
10	171692-0110	29.15±0.40
12	171692-0112	34.85±0.40

NOTES:

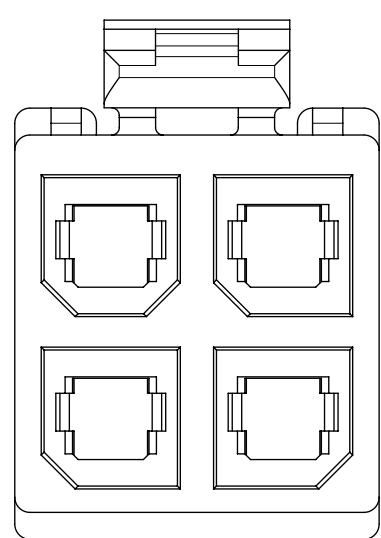
- MATERIAL:  
HOUSING: PBT, UL 94V-0, COLOR: BLACK.
- FINISH: NOT APPLICABLE.
- PRODUCT SPECIFICATION: PS-76823-100.
- PACKAGING: BULK PACK PER PK-170001-001
- PART MATES WITH MOLEX SERIES NUMBERS 76825, 76829, 172064, AND 172065.
- PART IS FOR USE WITH MOLEX FEMALE TERMINAL 76823 OR 172063 SERIES.
- APPLICATION SPECIFICATION: AS-76823-100.
- PARTS CONFORM TO CLASS B REQUIREMENTS OF COSMETIC SPECIFICATION PS-45499-002 WITH THE EXCEPTION OF DISCOLORATION AND SINK MEETS CLASS "C" REQUIREMENTS.

THIS DRAWING CONTAINS INFORMATION THAT IS PROPRIETARY TO MOLEX ELECTRONIC TECHNOLOGIES, LLC AND SHOULD NOT BE USED WITHOUT WRITTEN PERMISSION			
DIMENSION UNITS <b>mm</b>	SCALE <b>NTS</b>	CURRENT REV DESC:	
GENERAL TOLERANCES (UNLESS SPECIFIED)		 <b>MEGA-FIT RECEPTACLE HOUSING 2-12 CKT</b> <b>PRODUCT CUSTOMER DRAWING</b>	
ANGULAR TOL	± 0.5°		
4 PLACES	±		
3 PLACES	±		
2 PLACES	± 0.25		
1 PLACE	±	EC NO: 716347	
0 PLACES	±	DRWN: JERRYW8	2022/08/01
DRAFT WHERE APPLICABLE MUST REMAIN WITHIN DIMENSIONS		CHK'D: XQZHANG	2022/08/18
THIRD ANGLE PROJECTION		APPR: XQZHANG	2022/08/18
DRAWING		INITIAL REVISION:	
SERIES		DRWN: MKARADIMAS	2012/08/01
MATERIAL NUMBER		APPR: APATEL	2012/08/17
CUSTOMER		<b>SD-171692-0100</b>	
SHEET NUMBER		DOCUMENT NUMBER	DOC TYPE DOC PART REVISION
SEE CHART		PSD	001 C1
GENERAL MARKET		1 OF 2	

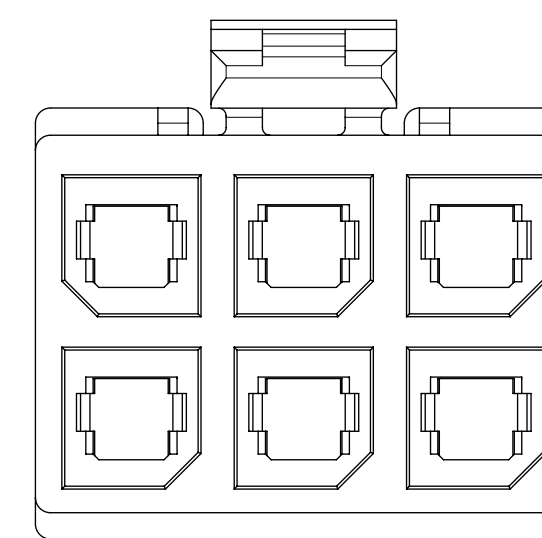
2 CKTS



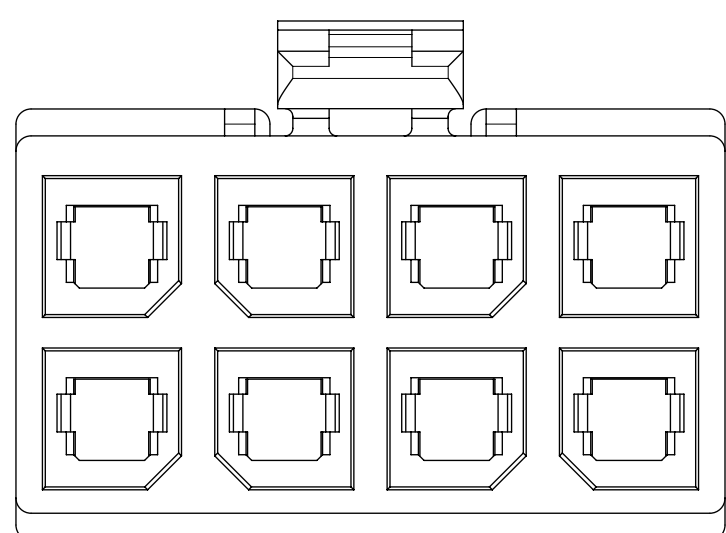
4 CKT



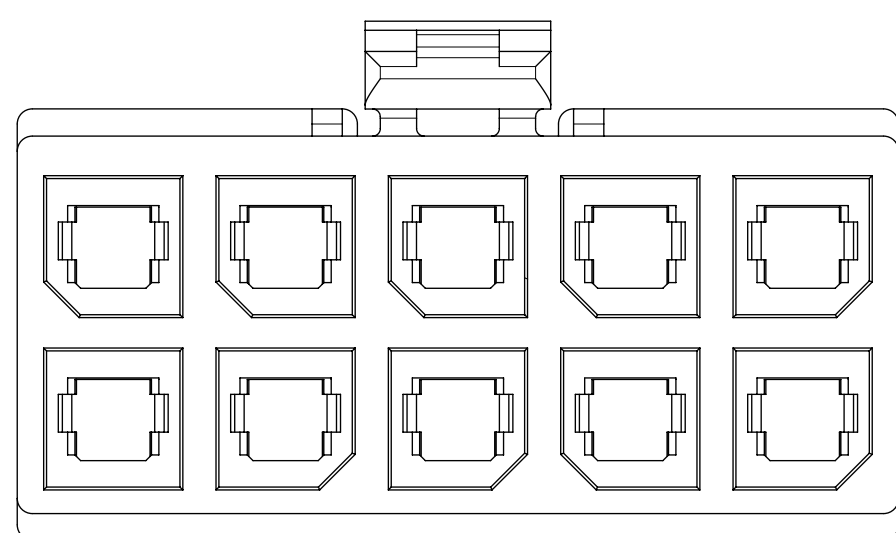
6 CKT



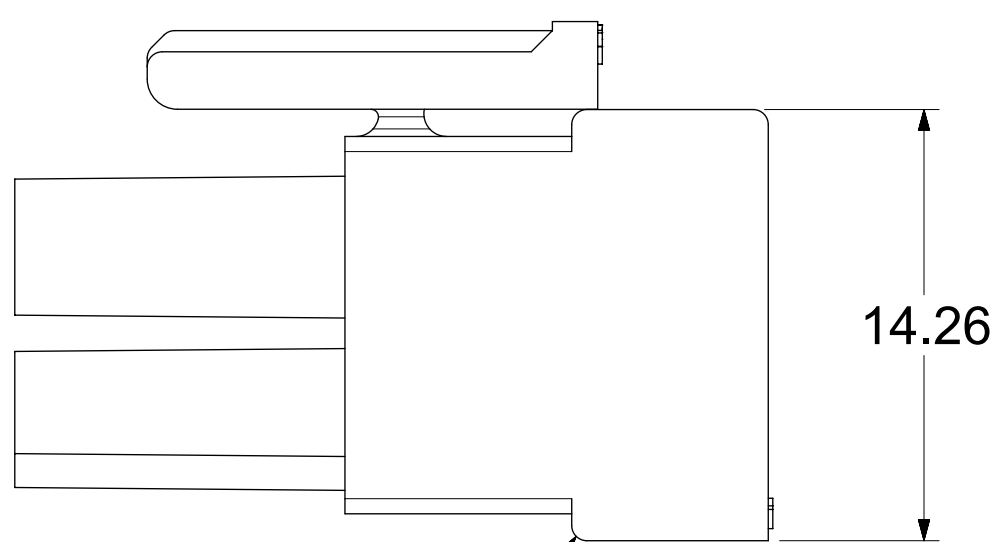
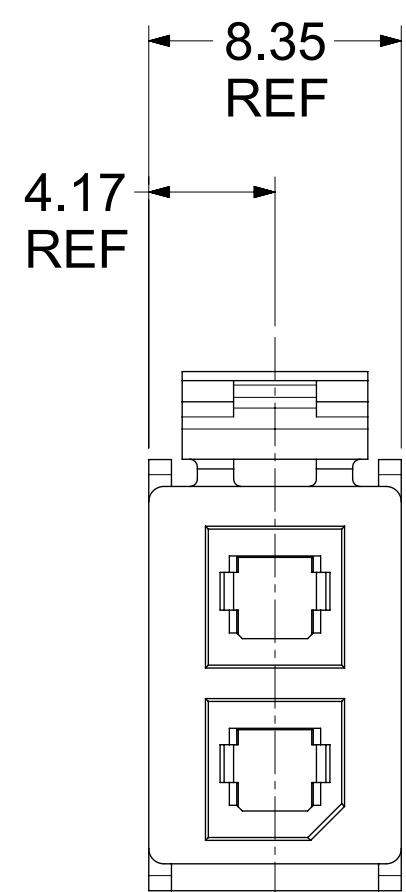
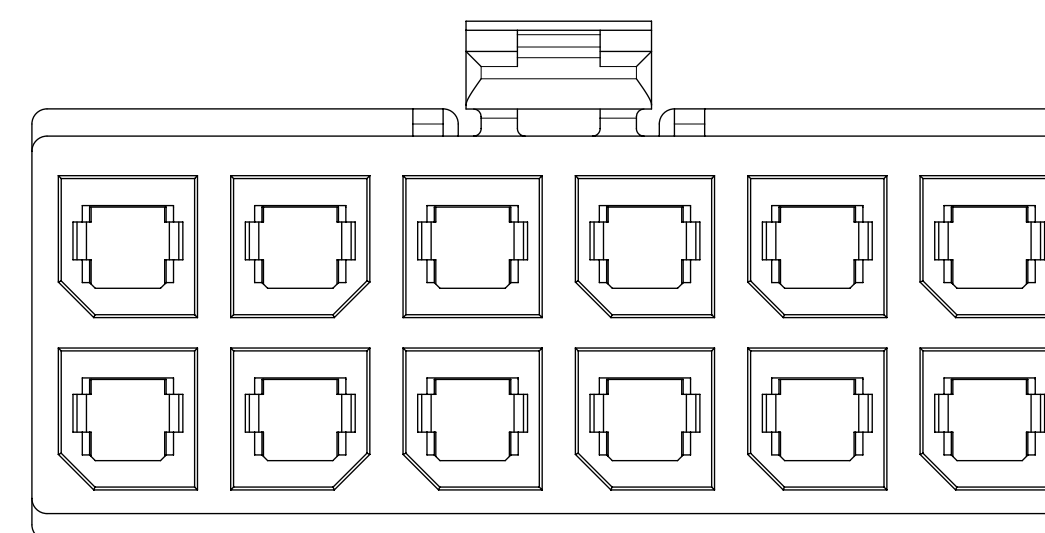
8 CKT



10 CKTS



12 CKTS



BOTTOM RIB ON  
2 CKT ONLY

14.26

171692-0102

THIS DRAWING CONTAINS INFORMATION THAT IS PROPRIETARY TO MOLEX ELECTRONIC TECHNOLOGIES, LLC AND SHOULD NOT BE USED WITHOUT WRITTEN PERMISSION									
DIMENSION UNITS		SCALE		CURRENT REV DESC:					
mm		NTS		<p><b>molex</b></p> <p>MEGA-FIT RECEPTACLE HOUSING 2-12 CKT</p> <p>PRODUCT CUSTOMER DRAWING</p>					
GENERAL TOLERANCES (UNLESS SPECIFIED)									
ANGULAR TOL ± 0.5°									
4 PLACES ±		EC NO: 716347							
3 PLACES ±		DRWN: JERRYW8 2022/08/01							
2 PLACES ± 0.25		CHK'D: XQZHANG 2022/08/18							
1 PLACE ±		APPR: XQZHANG 2022/08/18							
0 PLACES ±		INITIAL REVISION:							
DRAFT WHERE APPLICABLE		DRWN: MKARADIMAS 2012/08/01		DOCUMENT NUMBER		DOC TYPE		DOC PART	
MUST REMAIN WITHIN DIMENSIONS		APPR: APATEL 2012/08/17		SD-171692-0100		PSD		001 C1	
THIRD ANGLE PROJECTION		DRAWING		SERIES		MATERIAL NUMBER		CUSTOMER	
		D-SIZE		171692		SEE CHART		GENERAL MARKET	
								SHEET NUMBER	
								2 OF 2	

单击下面可查看定价，库存，交付和生命周期等信息

[>>MOLEX](#)