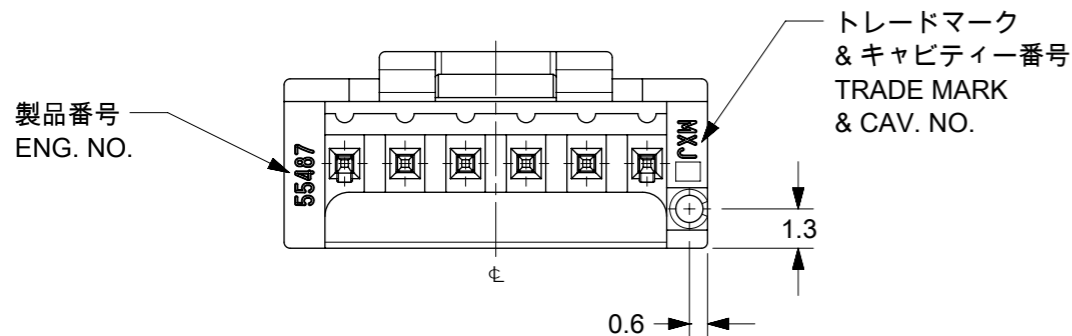
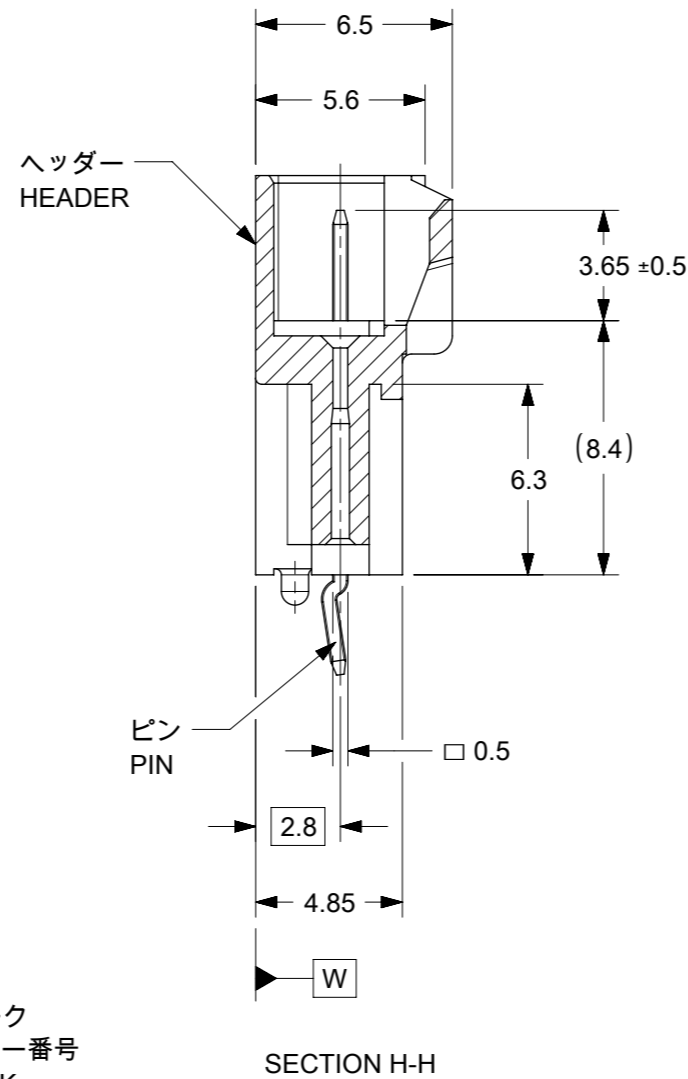
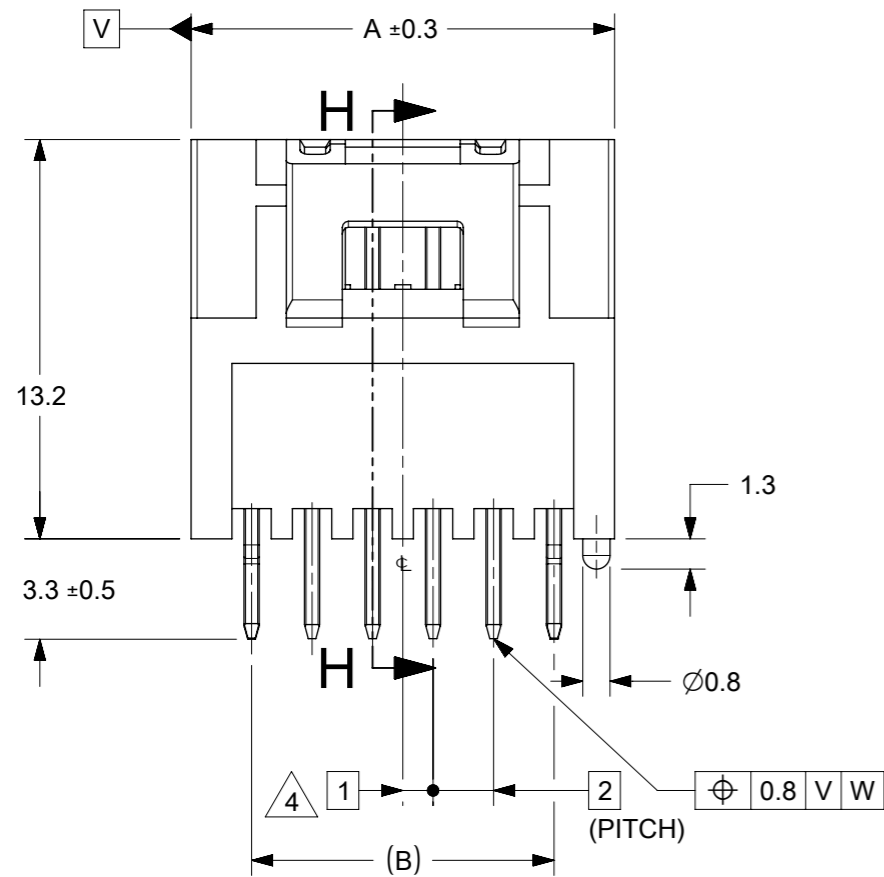
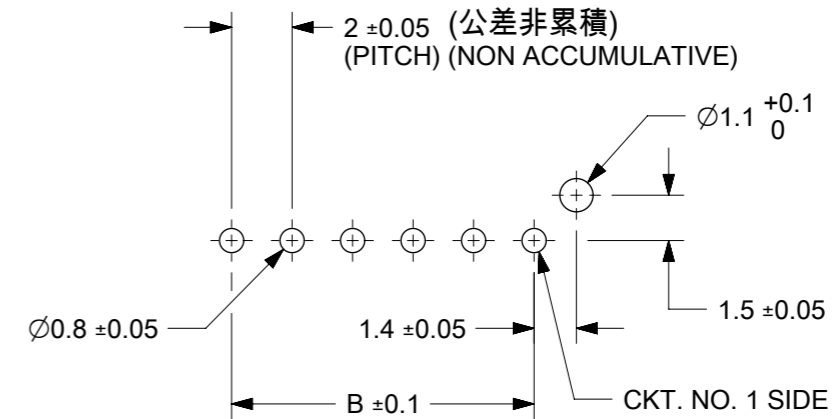


回路番号1
CKT. NO. 1



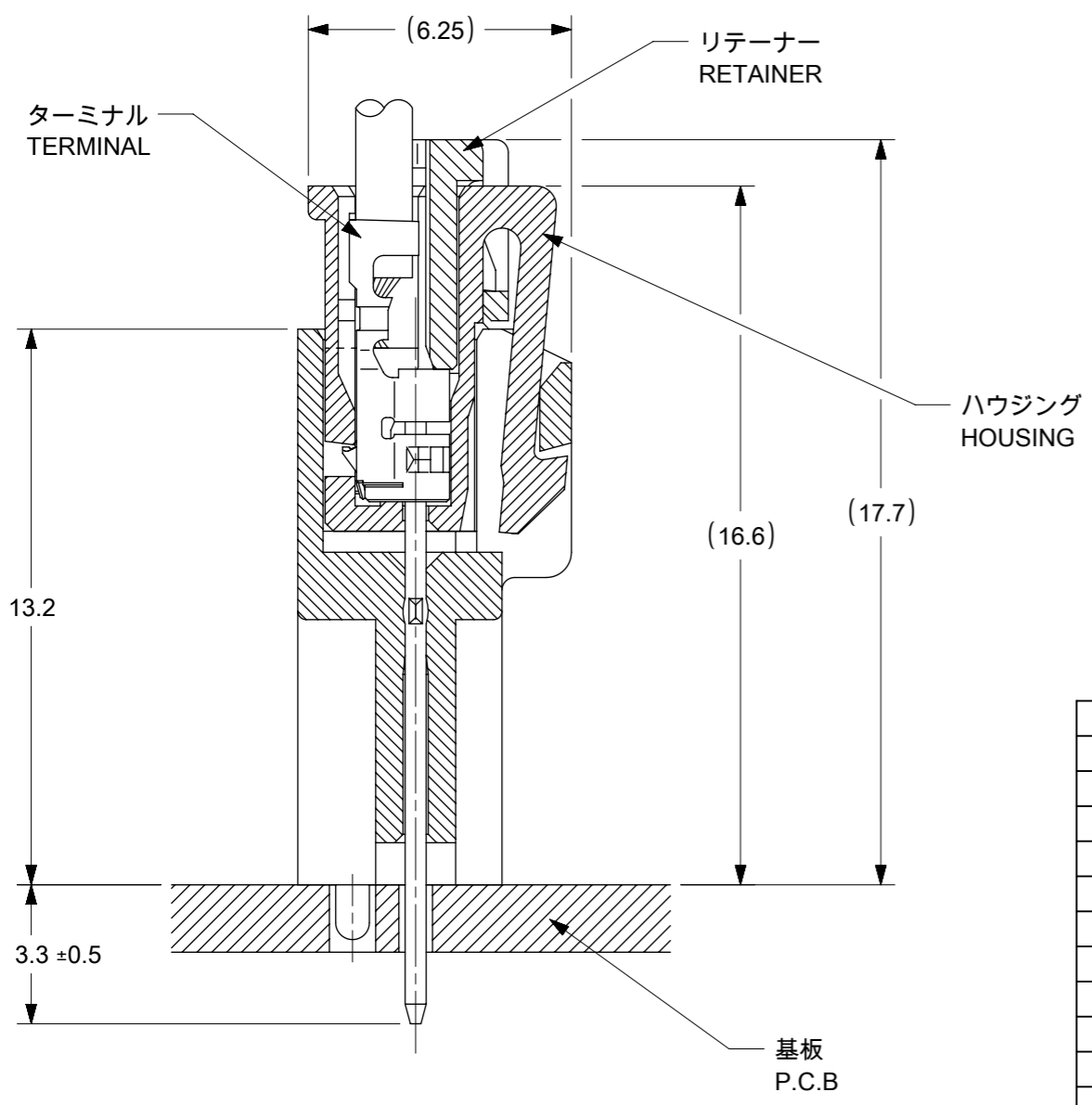
注記
NOTE

1. 材料 MATERIAL
ピン : 黄銅, 銅下地錫メッキ
PIN : BRASS, Sn OVER Cu PLATED
ヘッダー : 66ナイロン (ガラス入り : 20%), UL94V-0
(色 : 自然色 又は 染色)
HEADER : NYLON66 (G.F. : 20%), UL94V-0
(COLOR : NATURAL OR DYED COLOR)
2. 嵌合相手 : 51216シリ - ズ
MATE WITH : 51216 SERIES
3. ソルダーテールキックは、両端のピンのみとする。
KINK TO BE APPLIED FOR 2 PINS AT BOTH ENDS.
4. 偶数極に適用。
APPLY EVEN CIRCUIT PRODUCTS.
5. 本製品は 55487-**10/-**12/-**13/**14/**16 の鉛フリー品である。
THIS PRODUCT IS LEAD FREE OF 55487-**10/-**12/-**13/-**14/-**16.

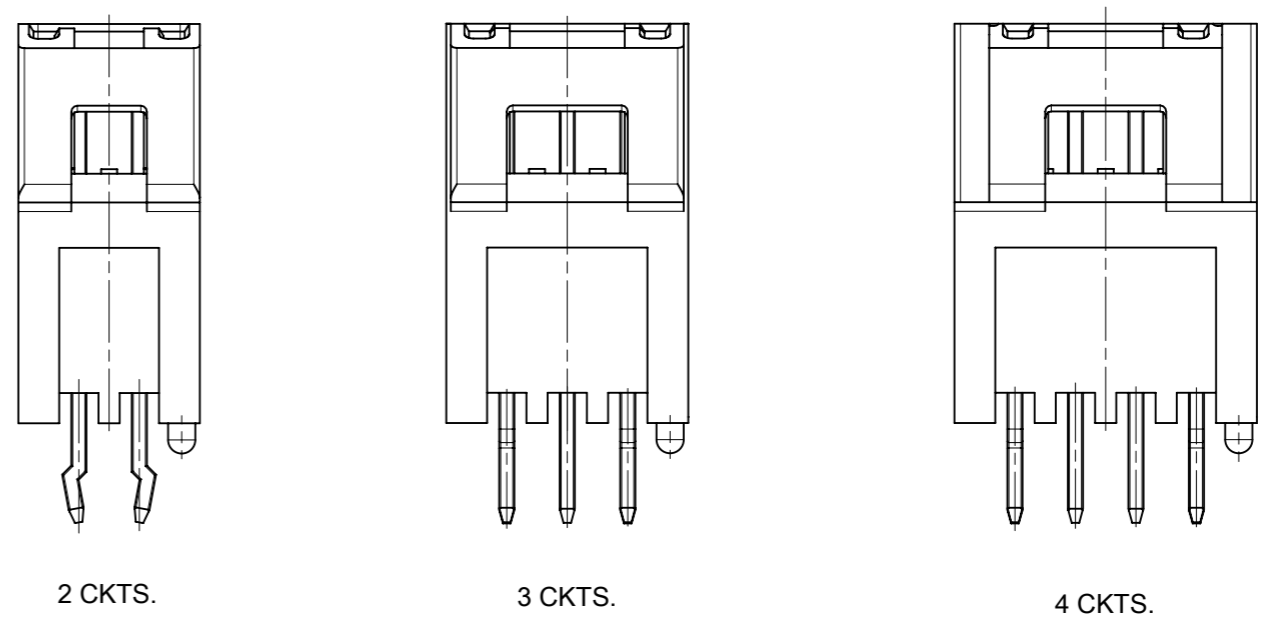


基板取付穴推奨寸法 (マウント面)
RECOMMENDED P.C.BOARD
HOLE DIMENSION
(MOUNTING SIDE)
(T=1.6)

THIS DRAWING CONTAINS INFORMATION THAT IS PROPRIETARY TO MOLEX ELECTRONIC TECHNOLOGIES, LLC AND SHOULD NOT BE USED WITHOUT WRITTEN PERMISSION									
DIMENSION UNITS	SCALE	CURRENT REV DESC:							
mm	4:1								
GENERAL TOLERANCES (UNLESS SPECIFIED)		EC NO: 732251			MICROTPA 2.0 W/B SINGLE ROW DIP VERTICAL HEADER ASSEMBLY				
ANGULAR TOL	± 3.0 °	DRWN: AISHIKAWA 2022/11/09			PRODUCT CUSTOMER DRAWING				
4 PLACES	±	CHK'D: AIDA 2023/05/19			DOCUMENT NUMBER				
3 PLACES	±	APPR: SAKIYAMA 2023/05/19			SD-55487-007				
2 PLACES	± 0.2	INITIAL REVISION:			DOC TYPE				
1 PLACE	± 0.2	DRWN: MNABEI 2005/05/23			PSD				
0 PLACES	± 0.2	APPR: NUKITA 2005/05/25			DOC PART				
DRAFT WHERE APPLICABLE MUST REMAIN WITHIN DIMENSIONS		THIRD ANGLE PROJECTION	DRAWING	SERIES	MATERIAL NUMBER	CUSTOMER	REVISION		
			A3-SIZE	55487		GENERAL MARKET	001	E	
							SHEET NUMBER		
							1 OF 2		



嵌合断面図 (参考)
LAYOUT OF EACH CKTS.



極数レイアウト図
LAYOUT OF EACH CKTS.

31	7.7	28	32					55487-1519	15
29	7.7	26	30					55487-1419	14
27	7.7	24	28					55487-1319	13
25	7.7	22	26			55487-1223		55487-1219	12
23	7.7	20	24					55487-1119	11
21	7.7	18	22					55487-1019	10
19	7.7	16	20					55487-0919	9
17	7.7	14	18					55487-0819	8
15	7.7	12	16					55487-0719	7
13	7.7	10	14					55487-0619	6
11	7.7	8	12				55487-0522	55487-0519	5
9	7.7	6	10					55487-0419	4
7	7.7	4	8					55487-0319	3
5	6	2	6	55487-0226	55487-0224	55487-0223		55487-0219	2
D	C	B	A	COLOR : GREEN 色 : 緑	COLOR : BLUE 色 : 青	COLOR : YELLOW 色 : 黄	COLOR : RED 色 : 赤	COLOR : WHITE 色 : 白	CKT 極数
TRAY PACKAGE									
オーダー番号 ORDER NO.									
CONNECTOR SERIES NO. 55487-****									

THIS DRAWING CONTAINS INFORMATION THAT IS PROPRIETARY TO MOLEX ELECTRONIC TECHNOLOGIES, LLC AND SHOULD NOT BE USED WITHOUT WRITTEN PERMISSION

DIMENSION UNITS mm	SCALE 4:1	CURRENT REV DESC:	
GENERAL TOLERANCES (UNLESS SPECIFIED)		EC NO: 732251	
ANGULAR TOL	± 3.0°	DRWN: AISHIKAWA	2022/11/09
4 PLACES	±	CHK'D: AIDA	2023/05/19
3 PLACES	±	APPR: SAKIYAMA	2023/05/19
2 PLACES	± 0.2	INITIAL REVISION:	
1 PLACE	± 0.2	DRWN: MNABEI	2005/05/23
0 PLACES	± 0.2	APPR: NUKITA	2005/05/25
DRAFT WHERE APPLICABLE MUST REMAIN WITHIN DIMENSIONS		THIRD ANGLE PROJECTION	DRAWING
			A3-SIZE
		SERIES	55487
		MATERIAL NUMBER	
		CUSTOMER	GENERAL MARKET
		SHEET NUMBER	2 OF 2

molex

MICROTPA 2.0 W/B
SINGLE ROW DIP VERTICAL HEADER ASSEMBLY

PRODUCT CUSTOMER DRAWING

DOCUMENT NUMBER	DOC TYPE	DOC PART	REVISION
SD-55487-007	PSD	001	E

10 9 8 7 6 5 4 3 2 1

F

E

D

C

B

A

F

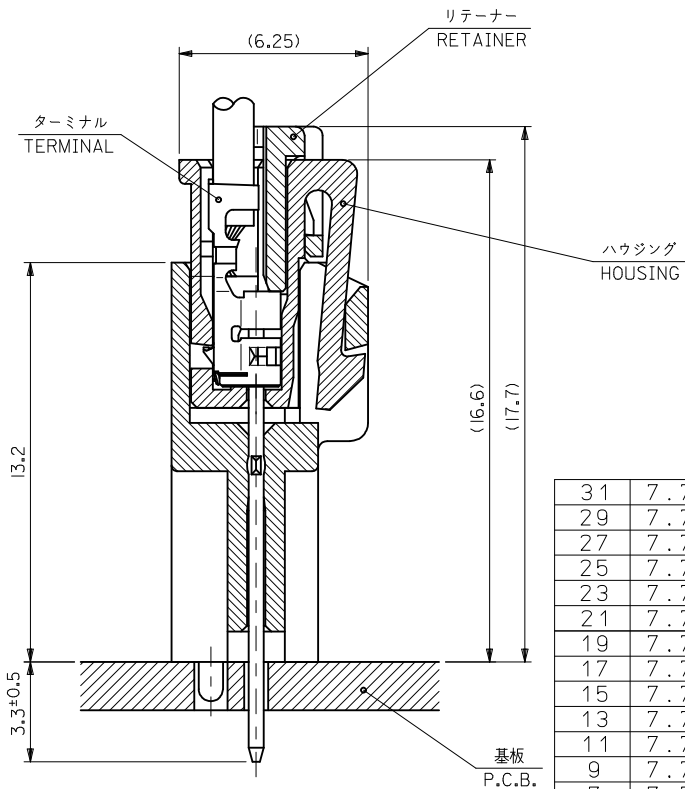
E

D

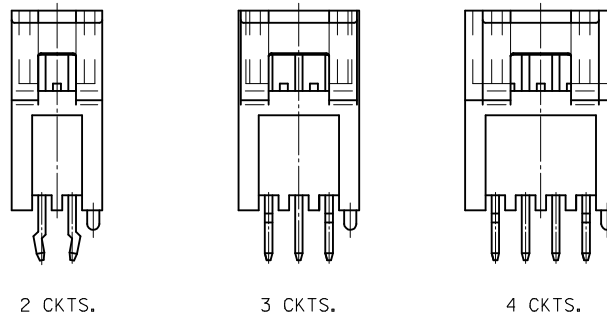
C

B

A



嵌合断面図 (参考)
LAYOUT OF EACH CKTS.



極数レイアウト図
LAYOUT OF EACH CKTS.

31	7.7	28	32	55487-1526		55487-1523	55487-1522	55487-1519	15
29	7.7	26	30	55487-1426		55487-1423	55487-1422	55487-1419	14
27	7.7	24	28					55487-1319	13
25	7.7	22	26	55487-1226		55487-1223	55487-1222	55487-1219	12
23	7.7	20	24					55487-1119	11
21	7.7	18	22	55487-1026	55487-1024	55487-1023	55487-1022	55487-1019	10
19	7.7	16	20	55487-0926		55487-0923	55487-0922	55487-0919	9
17	7.7	14	18	55487-0826		55487-0823	55487-0822	55487-0819	8
15	7.7	12	16					55487-0719	7
13	7.7	10	14					55487-0619	6
11	7.7	8	12	55487-0526		55487-0523	55487-0522	55487-0519	5
9	7.7	6	10					55487-0419	4
7	7.7	4	8					55487-0319	3
5	6	2	6	55487-0226	55487-0224	55487-0223		55487-0219	2
D	C	B	A	COLOR : GREEN 色 : 緑	COLOR : BLUE 色 : 青	COLOR : YELLOW 色 : 黄	COLOR : RED 色 : 赤	COLOR : WHITE 色 : 白	CKT 極数
TRAY PACKAGE									
オーダー番号 ORDER NO.									
CONNECTOR SERIES NO. 55487-****									

SEE SHEET 1 EC NO.: J2015-0174 DRWN: YWAKE 2014/08/04 CHKD: KASAKAWA 2014/08/04 APPR: NUKITA 2014/08/05	GENERAL TOLERANCES (UNLESS SPECIFIED)		DIMENSION STYLE MM ONLY		SCALE ---	DESIGN UNITS METRIC	THIRD ANGLE PROJECTION	
	10 UNDER	±0.2	DRAWN BY M. NABE I	DATE '05/05/20	TITLE 2.0 MM W TO B CONN. HEADER ASS'Y (ST.)			
	10 OVER 30 UNDER	±0.25	CHECKED BY K. TOJO	DATE '05/05/20				
	30 OVER	±0.3	APPROVED BY N. UKITA	DATE '05/05/20				
ANGULAR ±3 °		MATERIAL NO. SEE SHEET 1		DOCUMENT NO. SD-55487-007		SHEET NO. 2 OF 2		
DRAFT WHERE APPLICABLE MUST REMAIN WITHIN DIMENSIONS		THIS DRAWING CONTAINS INFORMATION THAT IS PROPRIETARY TO MOLEX INCORPORATED AND SHOULD NOT BE USED WITHOUT WRITTEN PERMISSION						

单击下面可查看定价，库存，交付和生命周期等信息

[>>MOLEX](#)