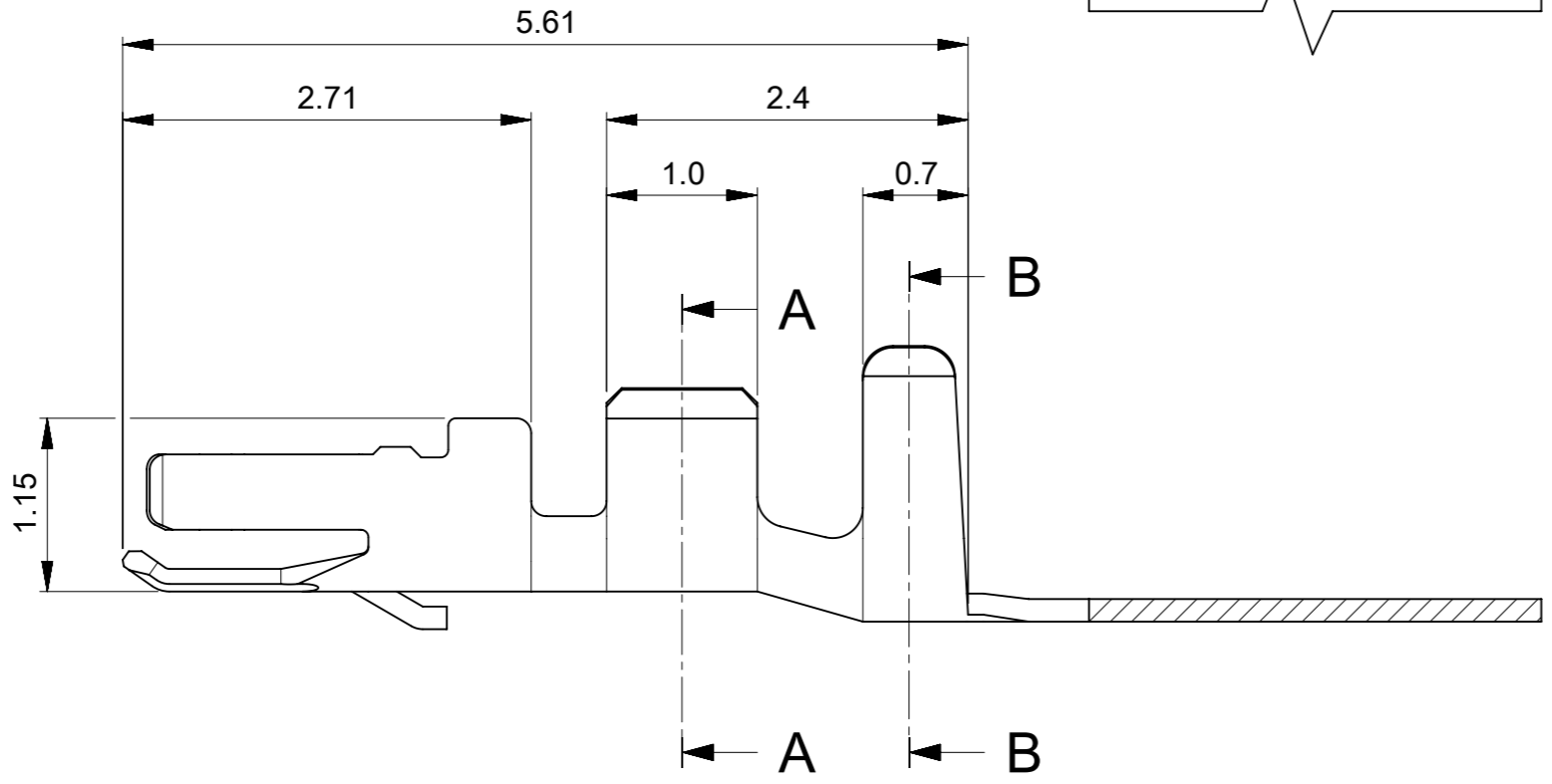
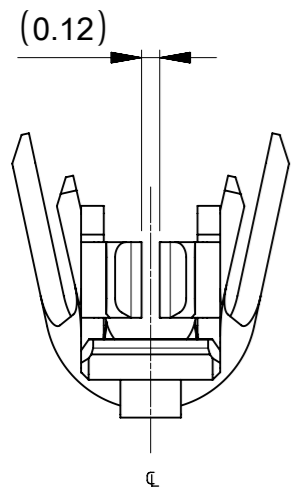
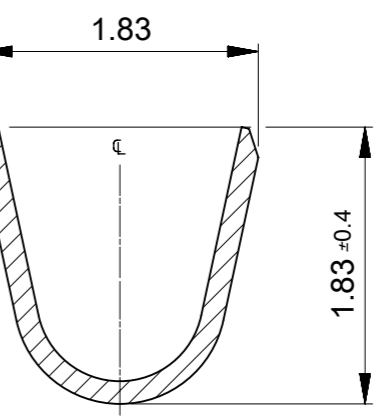
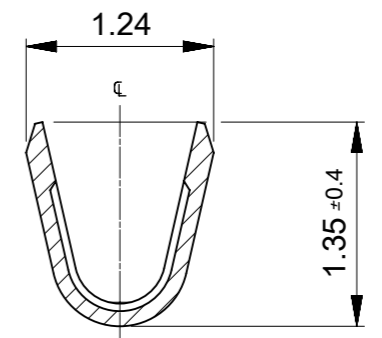
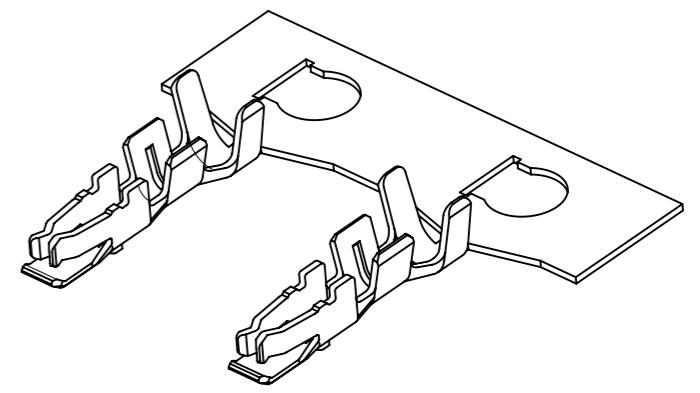
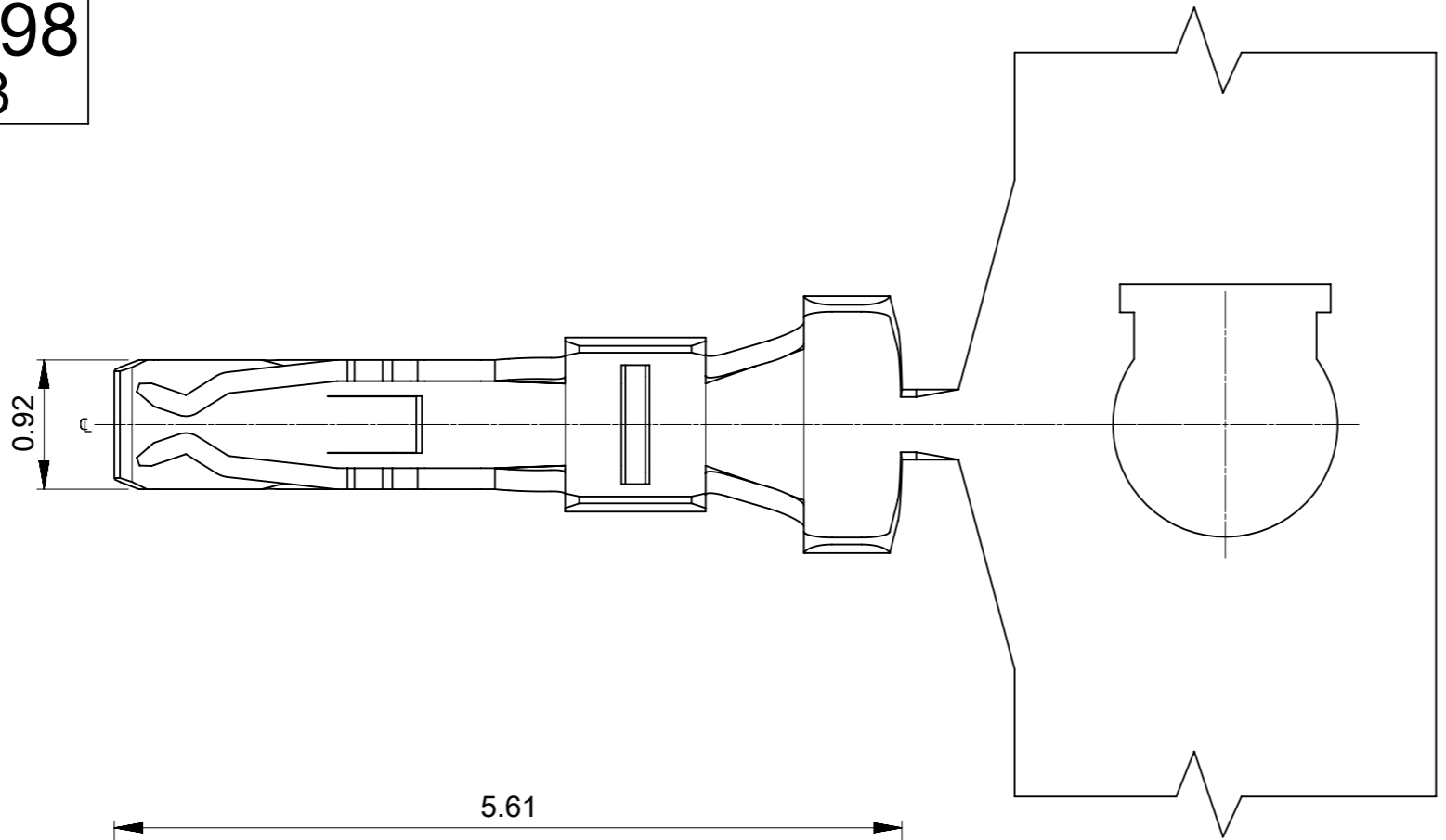


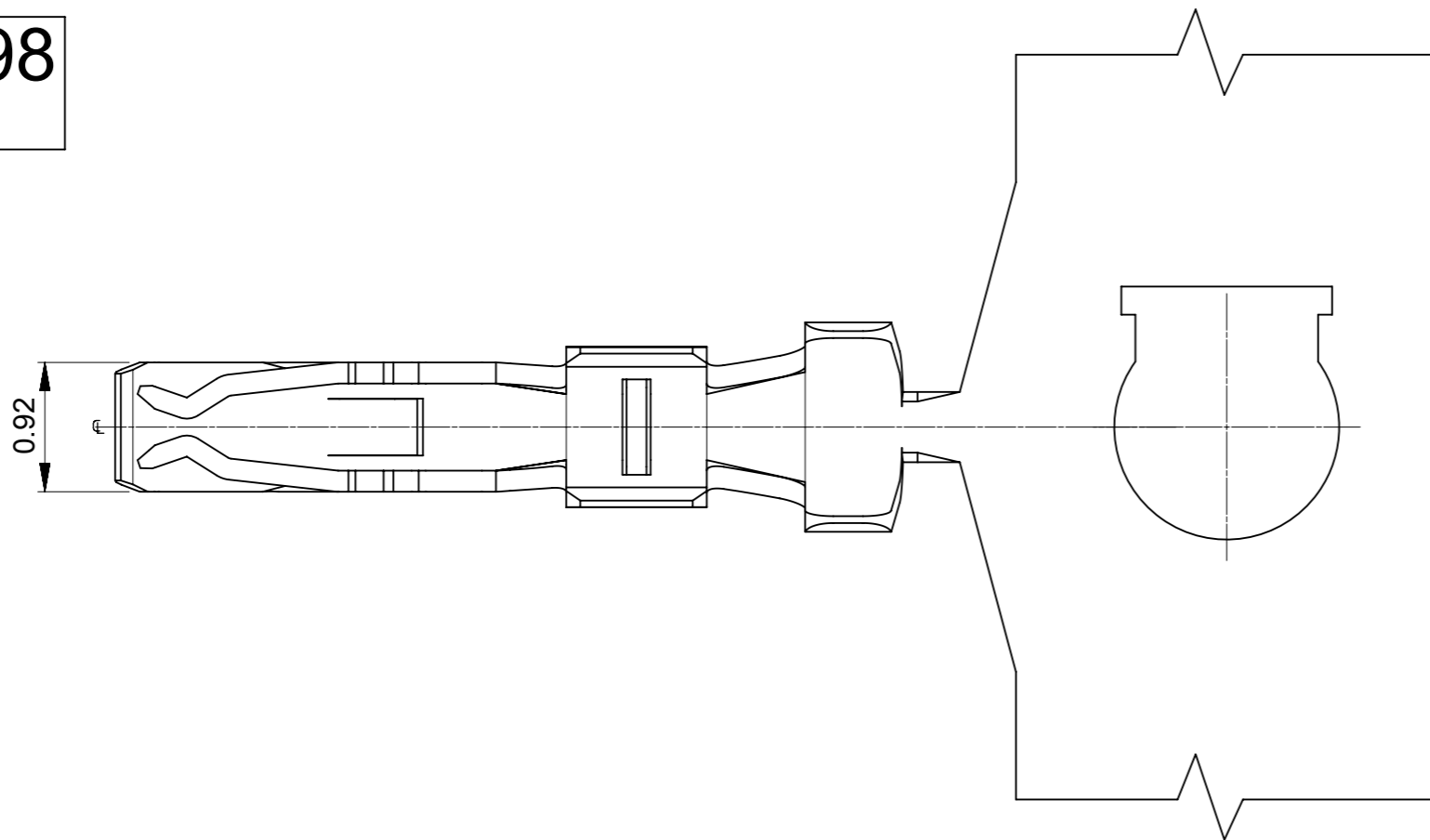
5040520098  
AWG #24-28



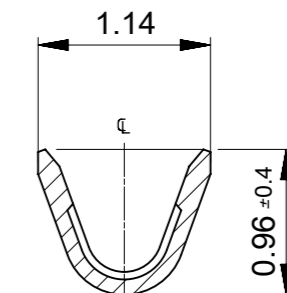
Φ0.8-1.15 mm	AWG #24-28	5040520098	CHAIN
Φ0.54-0.8 mm	AWG #30-32	5040520298	
INS. RANGE	WIRE RANGE	ORDER NO.	FORM
梱包状態 : リール PACKAGING : REEL			

THIS DRAWING CONTAINS INFORMATION THAT IS PROPRIETARY TO MOLEX ELECTRONIC TECHNOLOGIES, LLC AND SHOULD NOT BE USED WITHOUT WRITTEN PERMISSION													
DIMENSION UNITS	SCALE	CURRENT REV DESC: REDRAWN AND REVISED											
mm	NTS	<b>molex</b>											
GENERAL TOLERANCES (UNLESS SPECIFIED)		PICO-LOCK1.5 REC CRIMP TERM AWG#24-32											
ANGULAR TOL	± 3.0 °	PRODUCT CUSTOMER DRAWING											
4 PLACES	± 0.2	EC NO: 612189	2018/03/14	DOCUMENT NUMBER						DOC TYPE	DOC PART	REVISION	
3 PLACES	± 0.2	DRWN: QHE31	2019/02/18	5040520000-SD						PSD	000	A	
2 PLACES	± 0.2	CHK'D: SAKIYAMA	2019/02/18	MATERIAL NUMBER						CUSTOMER			
1 PLACE	± 0.2	APPR: KOMURAKAMI	2019/02/18	SEE CHART						SHEET NUMBER			
0 PLACES	± 0.2	INITIAL REVISION:		THIRD ANGLE PROJECTION									
DRAFT WHERE APPLICABLE MUST REMAIN WITHIN DIMENSIONS		DRWN: QHE31 2018/03/14		DRAWING		SERIES		MATERIAL NUMBER		CUSTOMER		SHEET NUMBER	
		APPR: KOMURAKAMI 2019/02/18		A3-SIZE		504052		SEE CHART				1 OF 2	

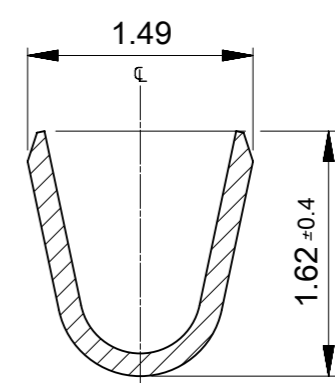
5040520298  
AWG #30-32



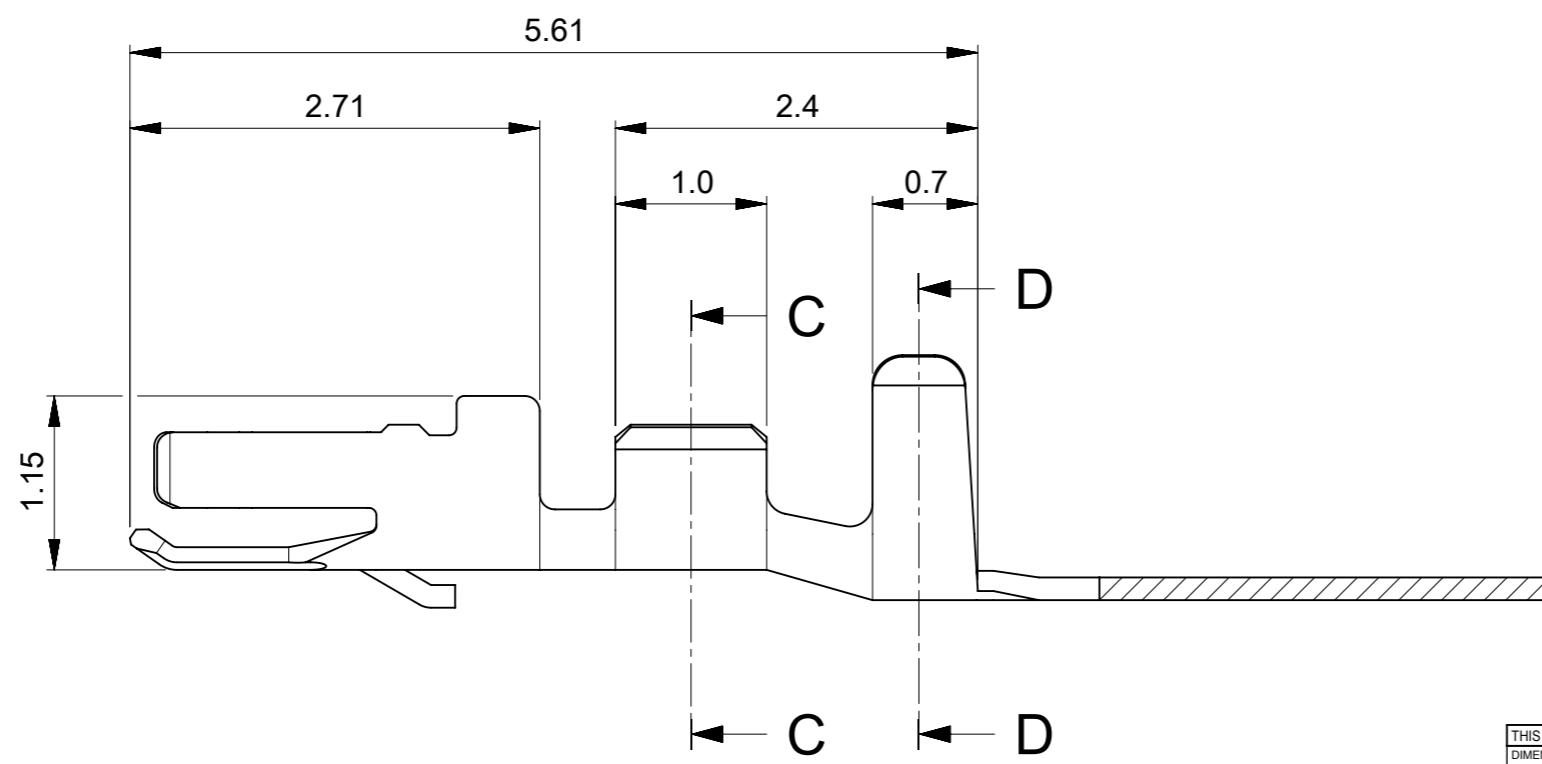
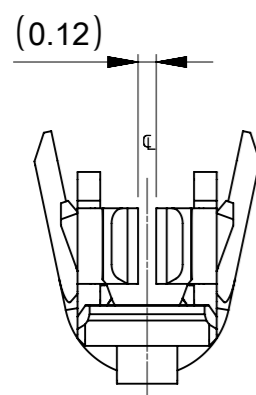
- NOTES .
1. 適合ハウジング : 5 0 4 0 5 1 \* \* \* \*  
APPLICABLE HOUSING : 504051\*\*\*\*
  2. 材質 : 銅合金  
MATERIAL : COPPER ALLOY
  3. めっき仕様 : 金めっき 0.1micro-meter MIN.,  
ニッケル下地 1.0micro-meter MIN.  
PLATING : GOLD PLATING 0.1micro-meter MIN.  
NICKEL UNDER PLATING 1.0micro-meter MIN.
  4. 製品仕様及び取扱いについては、製品仕様書PS-504051-001  
及びコネクタ取扱説明書AS-504051-001を参照願います。  
PLEASE REFER TO PRODUCT SPECIFICATION  
PS-504051-001 AND APPLICATION  
SPECIFICATION AS-504051-001.
  5. 梱包仕様書 : SPK-504052-001.  
PACKING INFORMATION SPK-504052-001.



SECTION C-C



SECTION D-D



THIS DRAWING CONTAINS INFORMATION THAT IS PROPRIETARY TO MOLEX ELECTRONIC TECHNOLOGIES, LLC AND SHOULD NOT BE USED WITHOUT WRITTEN PERMISSION									
DIMENSION UNITS	SCALE	CURRENT REV DESC: REDRAWN AND REVISED							
mm	NTS								
GENERAL TOLERANCES (UNLESS SPECIFIED)									
ANGULAR TOL	± 3.0 °	PICO-LOCK1.5 REC CRIMP TERM AWG#24-32							
4 PLACES	± 0.2	PRODUCT CUSTOMER DRAWING							
3 PLACES	± 0.2	DOCUMENT NUMBER							
2 PLACES	± 0.2	5040520000-SD							
1 PLACE	± 0.2	DOC TYPE							
0 PLACES	± 0.2	PSD							
DRAFT WHERE APPLICABLE MUST REMAIN WITHIN DIMENSIONS		THIRD ANGLE PROJECTION		DRAWING	SERIES	MATERIAL NUMBER	CUSTOMER	SHEET NUMBER	
				A3-SIZE	504052	SEE CHART		2 OF 2	

单击下面可查看定价，库存，交付和生命周期等信息

[>>MOLEX](#)