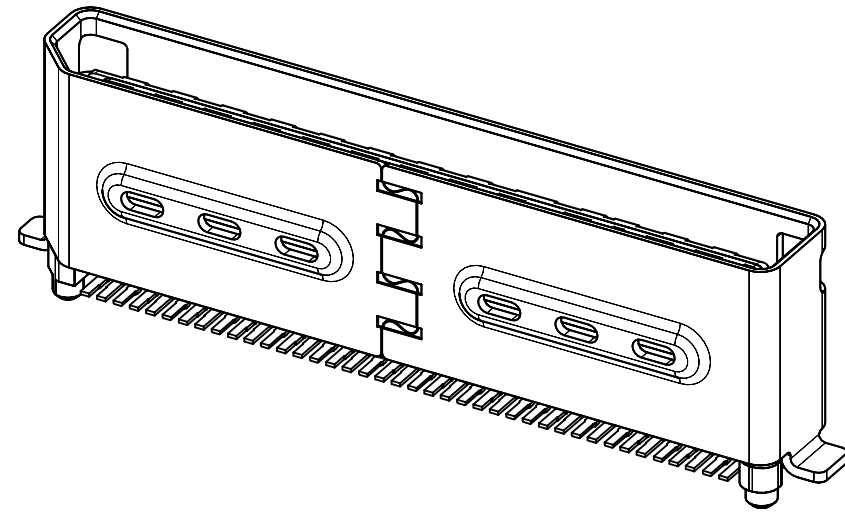
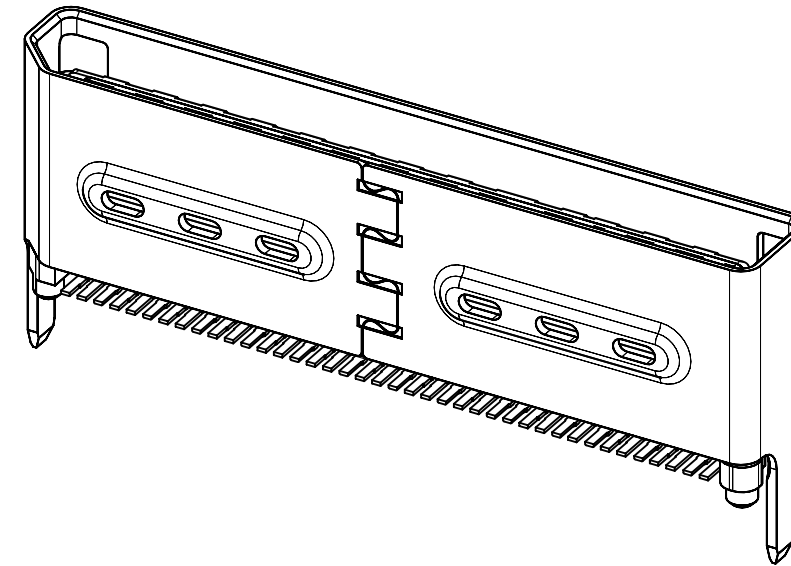


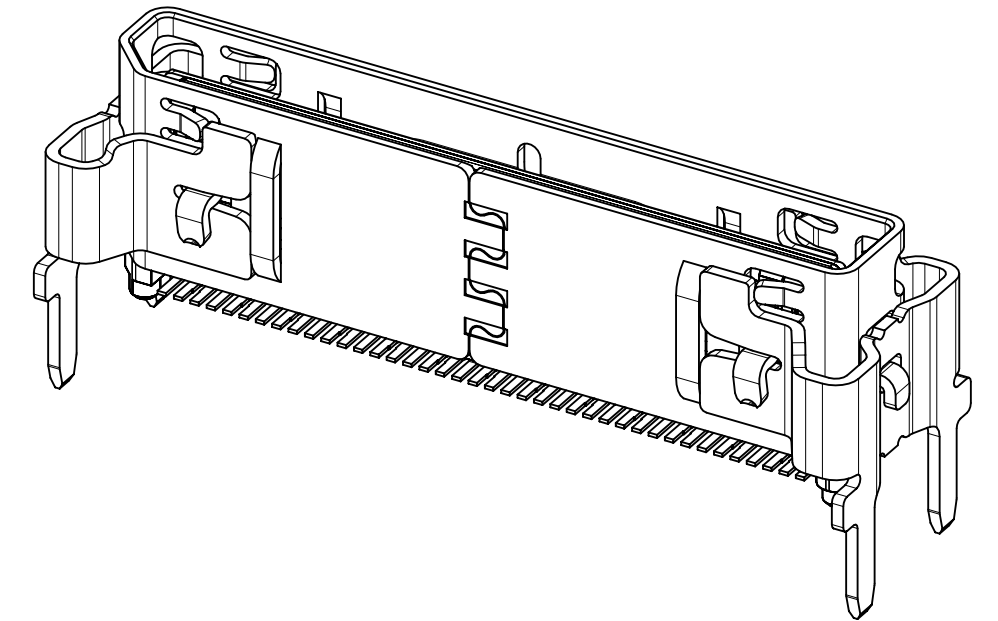
STATUS	MATERIAL NUMBER	GND TERMINAL OPTION	PICK AND PLACE CAP COLOR	DIM 'T'
TOOLED	173162-0331	SMT	N/A	N/A
TOOLED	173162-0332	TAIL	N/A	3.00
TOOLED	173162-0333	SMT	BLACK	N/A
TOOLED	173162-0334	TAIL	BLACK	3.00
NOT TOOLED	173162-0335	TAIL	BLACK	2.36
NOT TOOLED	173162-0336	TAIL	BLACK	1.57
TOOLED	173162-0337	XD	N/A	3.00
	173162-0338		BLACK	
TOOLED	173162-0339	XD	BLACK	2.36
TOOLED	173162-0340	XD	BLACK	1.57



80 CIRCUIT SMT



80 CIRCUIT TAIL



80 CIRCUIT XD

NOTES:

1. MATERIALS:

HOUSING - GLASS FILLED THERMOPLASTIC, 94V-0
 CONTACTS - HIGH PERFORMANCE COPPER ALLOY
 SHIELD - STAINLESS STEEL

2. FINISH:

CONTACTS - 0.76µm MIN. GOLD MATING SIDE
 0.05µm GOLD FLASH ON SOLDER TAILS
 1.27µm MIN. NICKEL UNDERPLATE OVERALL

SMT/TH SHIELD - MATTE TIN OVER 1.27µm MIN. NICKEL
 XD SHIELD - MATT TIN ON SOLDER LEGS ONLY

3. PRODUCT SPECIFICATION: PS-173162-0001

4. PACKAGING SPECIFICATION: PK-173307-0001

5. MATES WITH: MOLEX CABLE SERIES 200226 OR 200227
 PER INDUSTRY STANDARD PCIe OCuLink 1.0, SFF-8611

6. APPLICATION SPECIFICATION: AS-173162-0001

7. COSMETIC SPECIFICATION: PS-45499-002, CLASS B

8. DATE CODE TO BE LOCATED APPROXIMATELY AS SHOWN, DATE CODE
 TO SHOW THE DATE AND YEAR OF ASSEMBLY (DDYY OR YYDD)

FUNCTIONAL SYMBOLS	THIS DRAWING CONTAINS INFORMATION THAT IS PROPRIETARY TO MOLEX ELECTRONIC TECHNOLOGIES, LLC AND SHOULD NOT BE USED WITHOUT WRITTEN PERMISSION			
	DIMENSION UNITS	SCALE		CURRENT REV DESC:
$\frac{F}{A} = 0$	mm	5:1		EC NO: 672997 DRWN: RCHEN55 2021/01/12 CHK'D: JKACHLIC 2021/08/30 APPR: JKACHLIC 2021/08/30
$\frac{F}{C} = 0$	GENERAL TOLERANCES (UNLESS SPECIFIED)			
$\frac{F}{P} = 0$		MM	INCH	
DIVISIONAL SYMBOLS	4 PLACES	±	±	
	3 PLACES	±	±	INITIAL REVISION:
	2 PLACES	± 0.13	±	DRWN: BJANOWIAK 2015/05/11
	1 PLACE	± 0.25	±	APPR: BJANOWIAK 2015/06/15
	0 PLACES	±	±	THIRD ANGLE PROJECTION
	ANGULAR TOL	± 0.5 °		DRAWING SERIES
	DRAFT WHERE APPLICABLE MUST REMAIN WITHIN DIMENSIONS			C-SIZE 173162
DOCUMENT STATUS		P1	RELEASE DATE	2021/08/30 09:41:23
Downloaded From		Oneyac.com		

molex

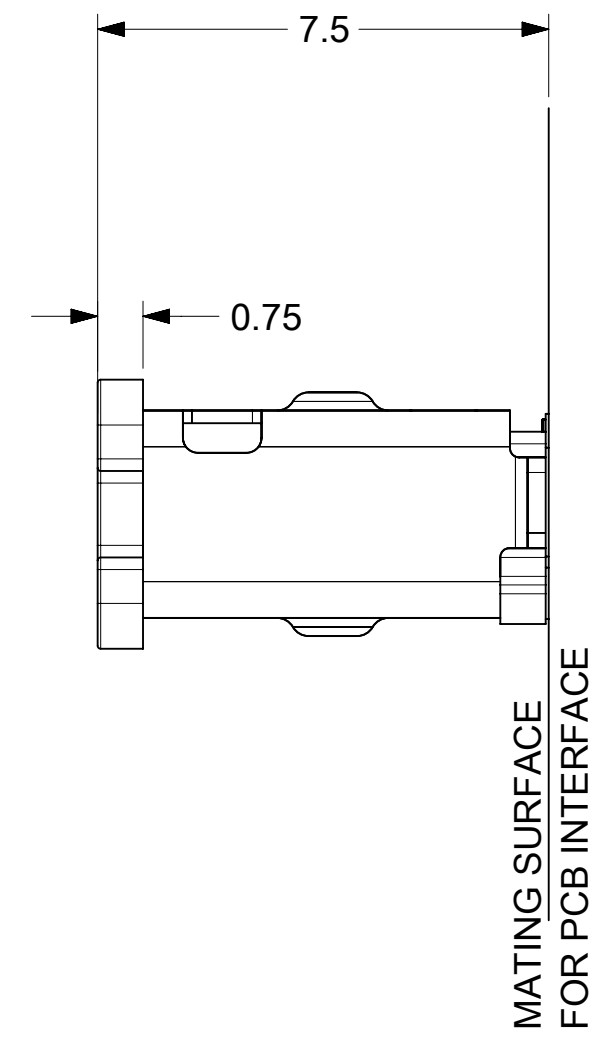
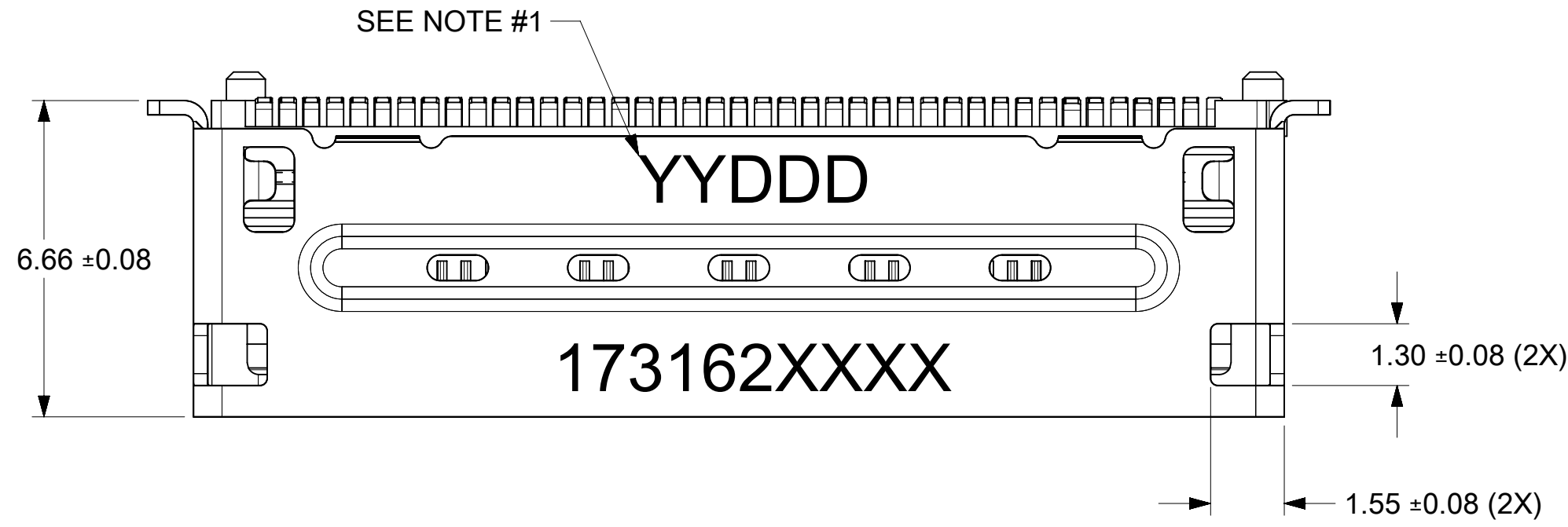
NANO PITCH I/O FIXED 25G
 VERTICAL 8X

PRODUCT CUSTOMER DRAWING

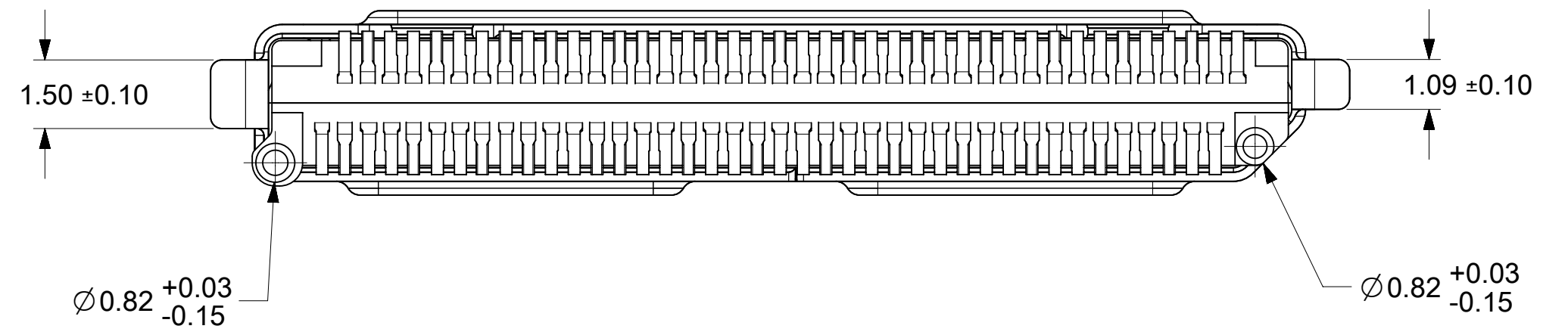
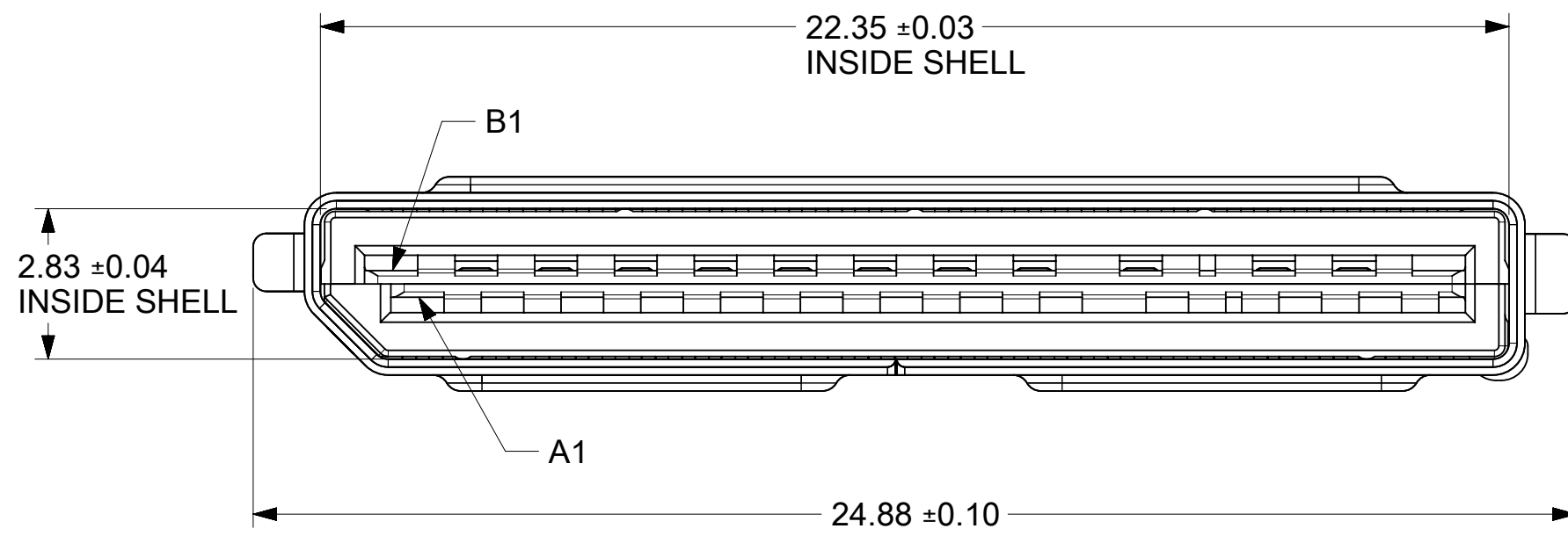
DOCUMENT NUMBER	DOC TYPE	DOC PART	REVISION
SD-173162-0002	PSD	001	E2

MATERIAL NUMBER	CUSTOMER	SHEET NUMBER
SEE SHEET 1	GENERAL MARKET	1 OF 8

8X SMT ASSEMBLY



WITH CAP



NOTES:

1. MANUFACTURED DATE CODE (JULIAN CALENDAR)

YYDDD

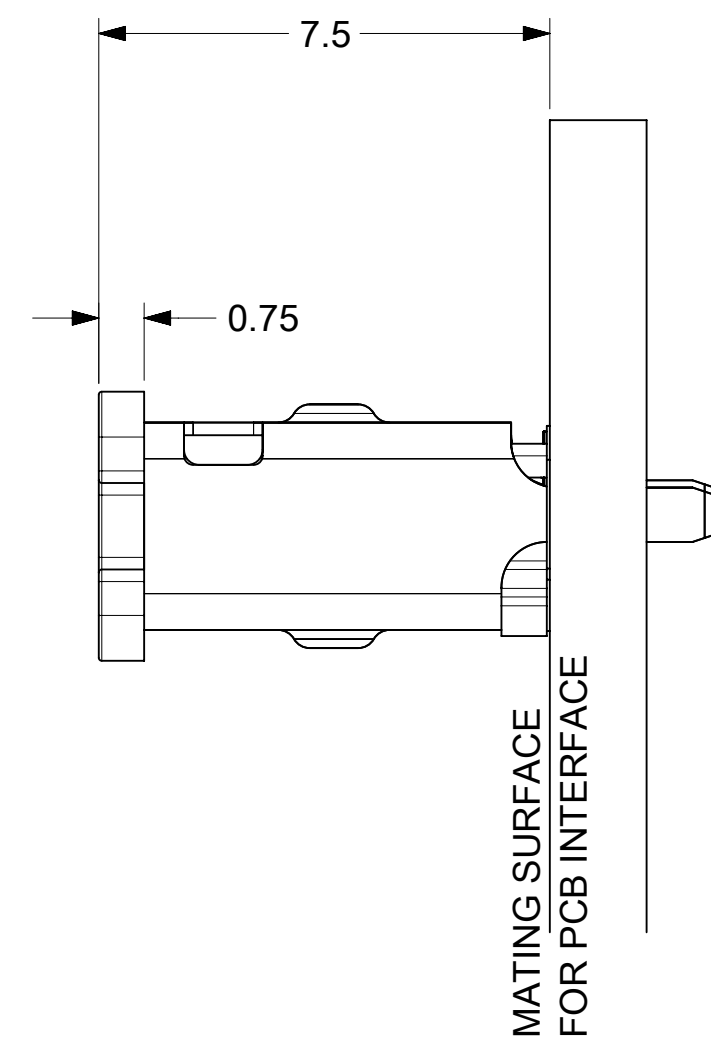
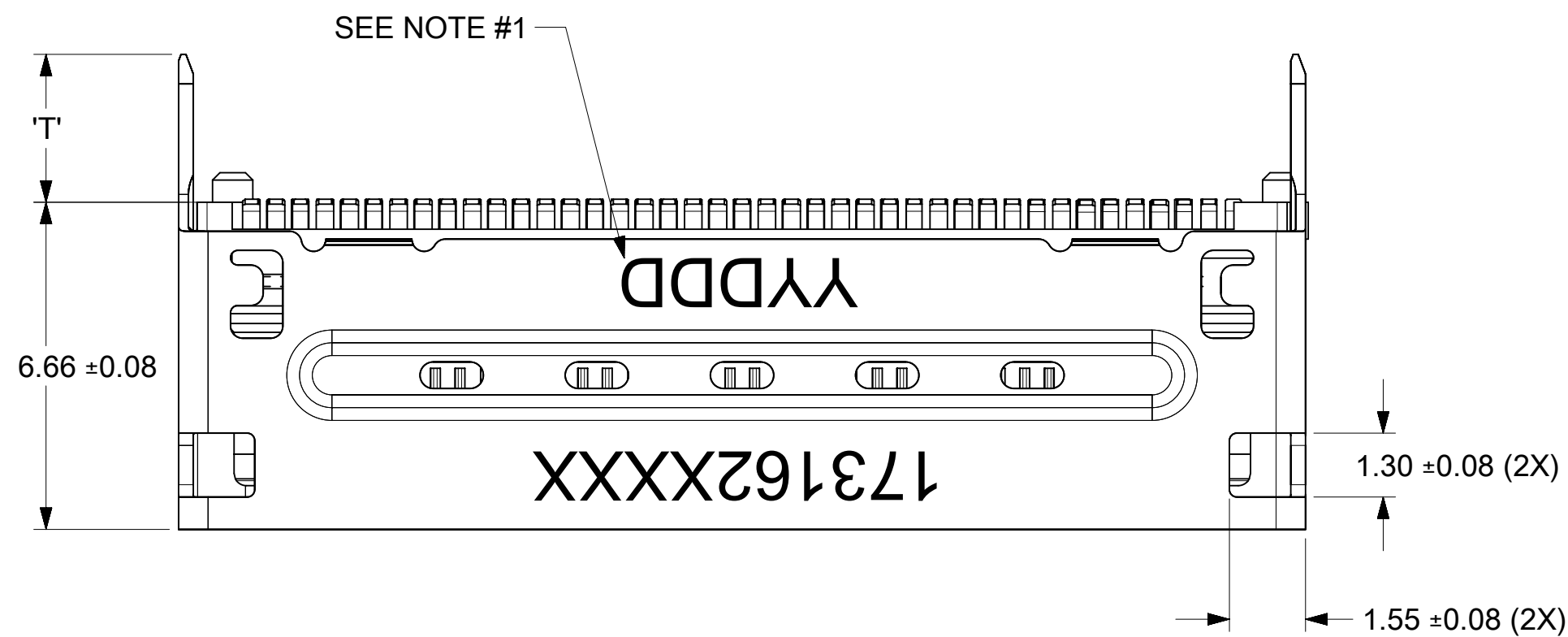
DAY OF THE YEAR

LAST TWO DIGITS OF THE YEAR

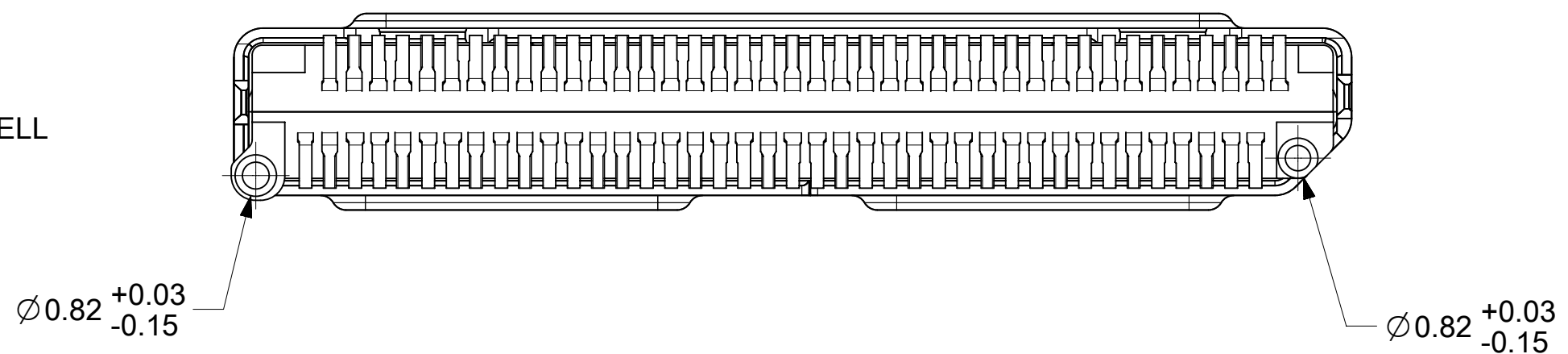
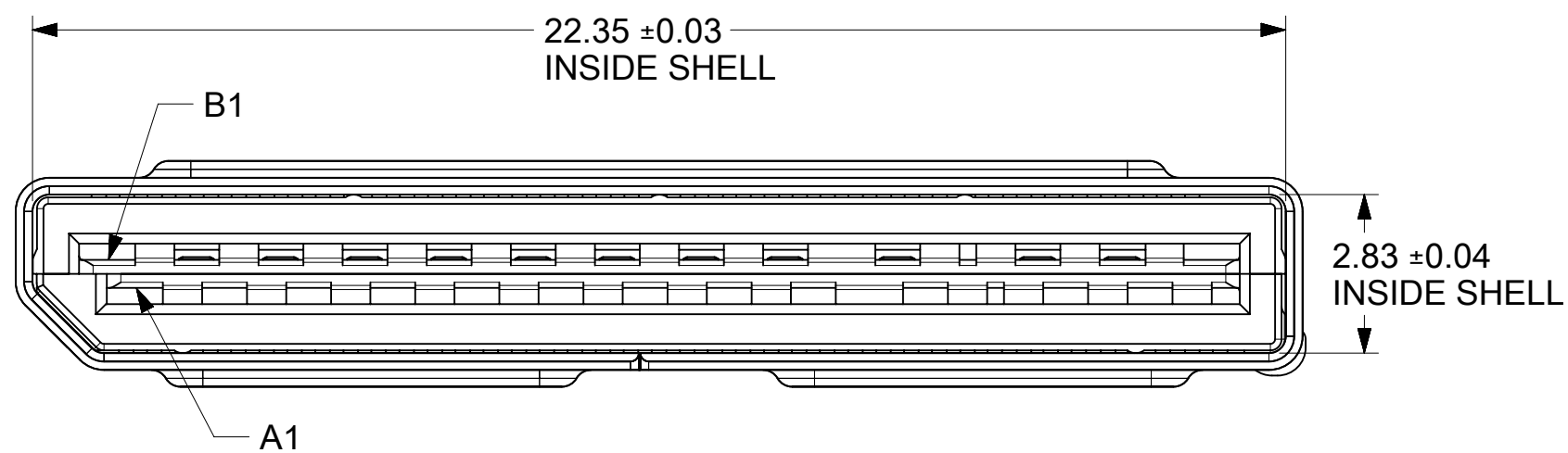
2. SOLDER TAIL COPLANARITY 0.10 MAX

FUNCTIONAL SYMBOLS	THIS DRAWING CONTAINS INFORMATION THAT IS PROPRIETARY TO MOLEX ELECTRONIC TECHNOLOGIES, LLC AND SHOULD NOT BE USED WITHOUT WRITTEN PERMISSION										
	DIMENSION UNITS		SCALE		CURRENT REV DESC:						
	mm		8:1		EC NO: 672997						
	= 0				DRWN: RCHEN55 2021/01/12						
DIVISIONAL SYMBOLS	GENERAL TOLERANCES (UNLESS SPECIFIED)										
					CHK'D: JKACHLIC 2021/08/30					PRODUCT CUSTOMER DRAWING DOCUMENT NUMBER: SD-173162-0002 DOC TYPE: PSD DOC PART: 001 REVISION: E2	
	4 PLACES ±				APPR: JKACHLIC 2021/08/30						
	3 PLACES ±				INITIAL REVISION:						
2 PLACES ± 0.13				DRWN: BJANOWIAK 2015/05/11					MATERIAL NUMBER: SEE SHEET 1		
1 PLACE ± 0.25				APPR: MBANAKIS 2015/09/18					CUSTOMER: GENERAL MARKET		
0 PLACES ±				ANGULAR TOL ± 0.5°					SHEET NUMBER: 2 OF 8		
DRAFT WHERE APPLICABLE MUST REMAIN WITHIN DIMENSIONS					THIRD ANGLE PROJECTION		DRAWING: C-SIZE		SERIES: 173162		

8X SOLDER TAIL ASSEMBLY



WITH CAP



NOTES:

1. MANUFACTURED DATE CODE (JULIAN CALENDAR)

YYDDD

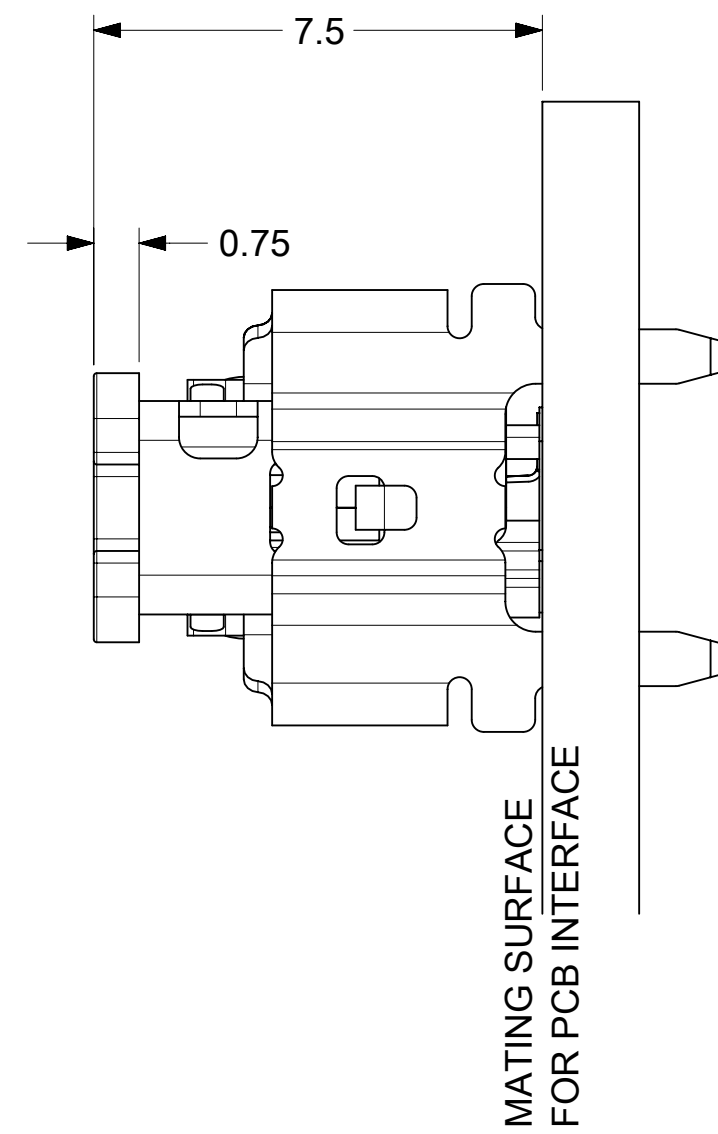
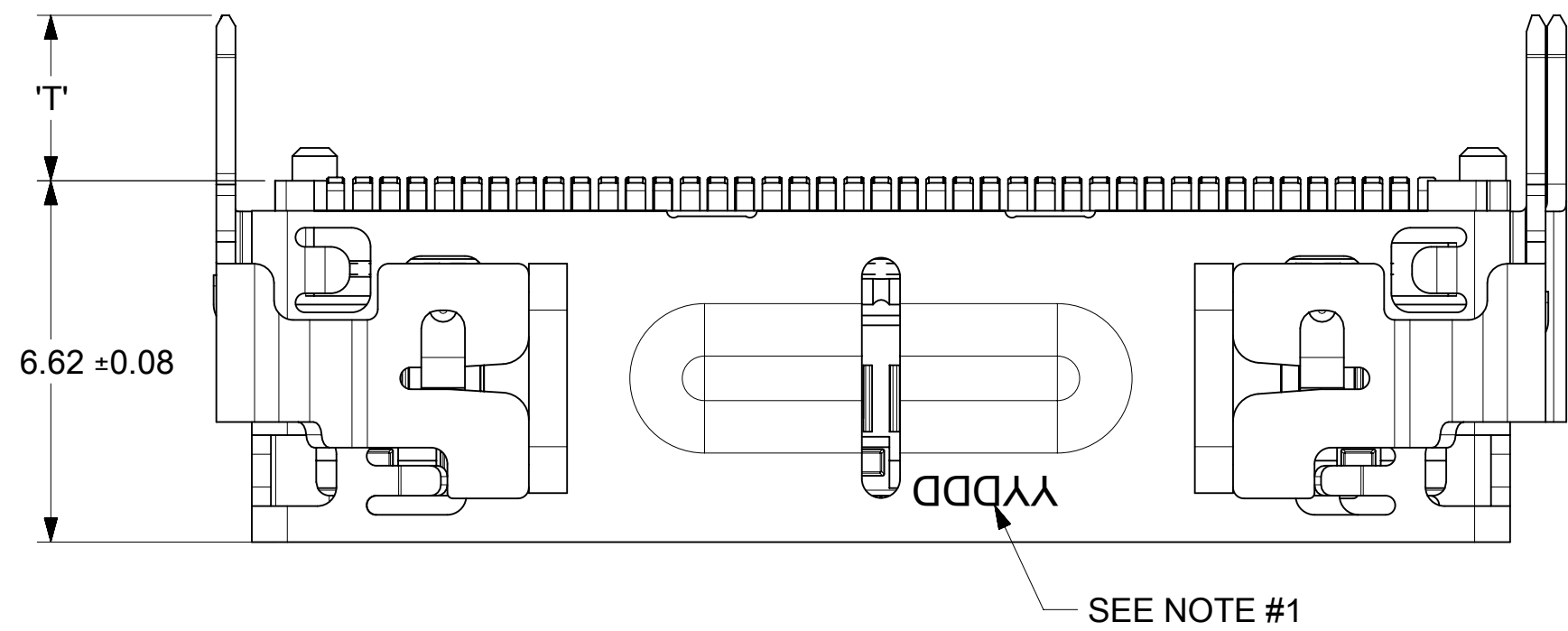
DAY OF THE YEAR

LAST TWO DIGITS OF THE YEAR

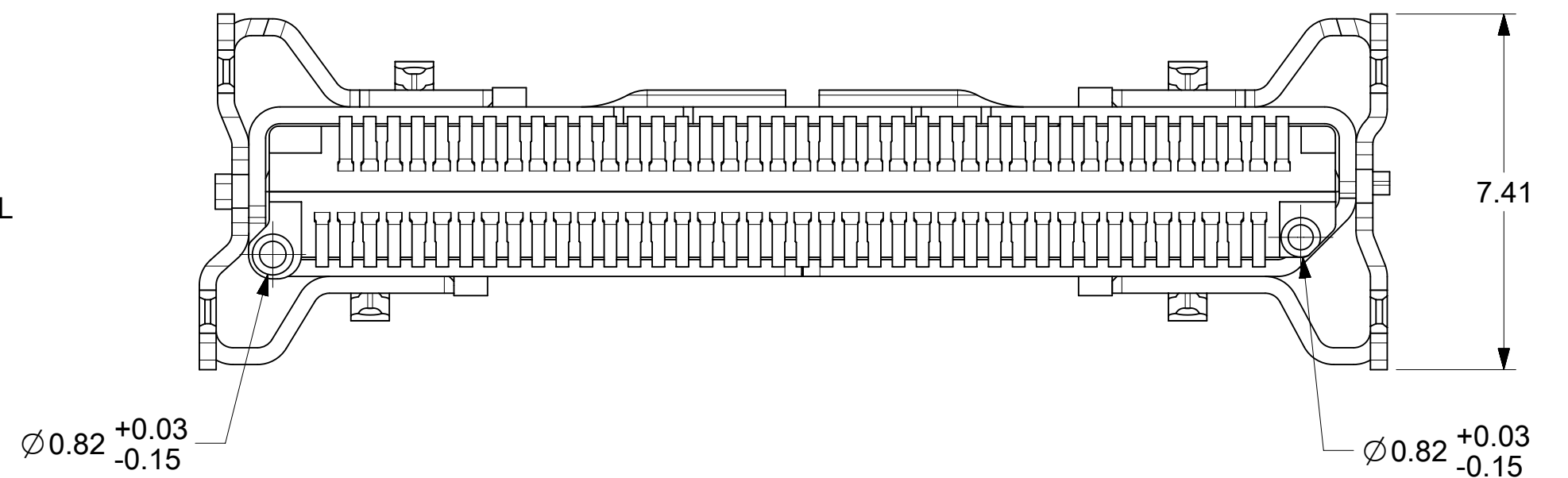
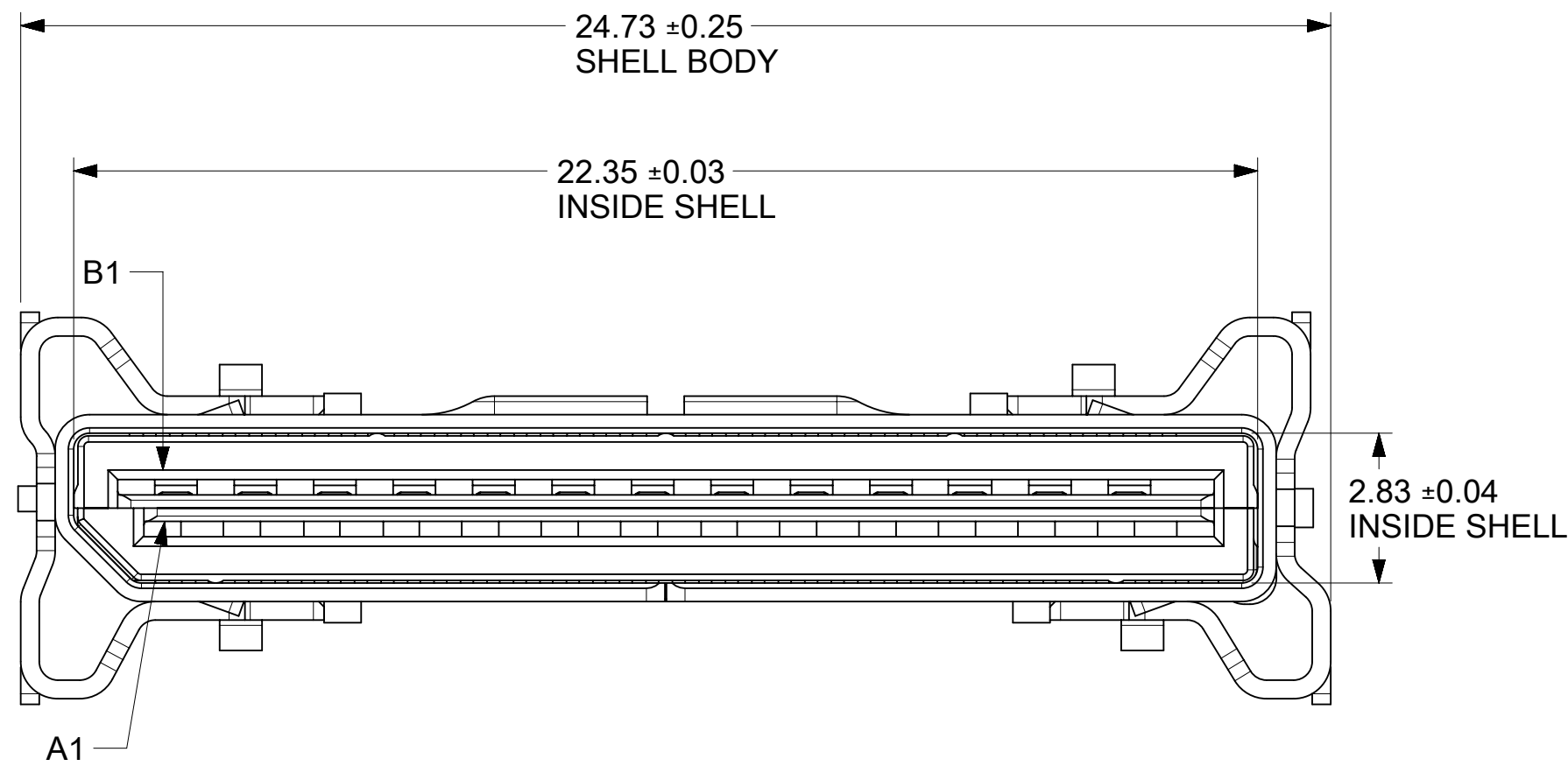
2. SOLDER TAIL COPLANARITY 0.10 MAX

FUNCTIONAL SYMBOLS FA = 0 FC = 0 FP = 0	THIS DRAWING CONTAINS INFORMATION THAT IS PROPRIETARY TO MOLEX ELECTRONIC TECHNOLOGIES, LLC AND SHOULD NOT BE USED WITHOUT WRITTEN PERMISSION									
	DIMENSION UNITS		SCALE		CURRENT REV DESC:					
	mm		8:1		EC NO: 672997					
	GENERAL TOLERANCES (UNLESS SPECIFIED)									
DIVISIONAL SYMBOLS	4 PLACES		±	±	DRWN: RCHEN55 2021/01/12					NANO PITCH I/O FIXED 25G VERTICAL 8X PRODUCT CUSTOMER DRAWING DOCUMENT NUMBER: SD-173162-0002 DOC TYPE: PSD DOC PART: 001 REVISION: E2
	3 PLACES		±	±	CHK'D: JKACHLIC 2021/08/30					
	2 PLACES		±	0.13	APPR: JKACHLIC 2021/08/30					
	1 PLACE		±	0.25	INITIAL REVISION:					
	0 PLACES		±	±	DRWN: BIANOWIAK 2015/05/11					
ANGULAR TOL ± 0.5°				THIRD ANGLE PROJECTION		DRAWING		SERIES		SHEET NUMBER
DRAFT WHERE APPLICABLE MUST REMAIN WITHIN DIMENSIONS						C-SIZE		173162		3 OF 8

8X XD ASSEMBLY



WITH CAP



NOTES:

1. MANUFACTURED DATE CODE (JULIAN CALENDAR)

YYDDD

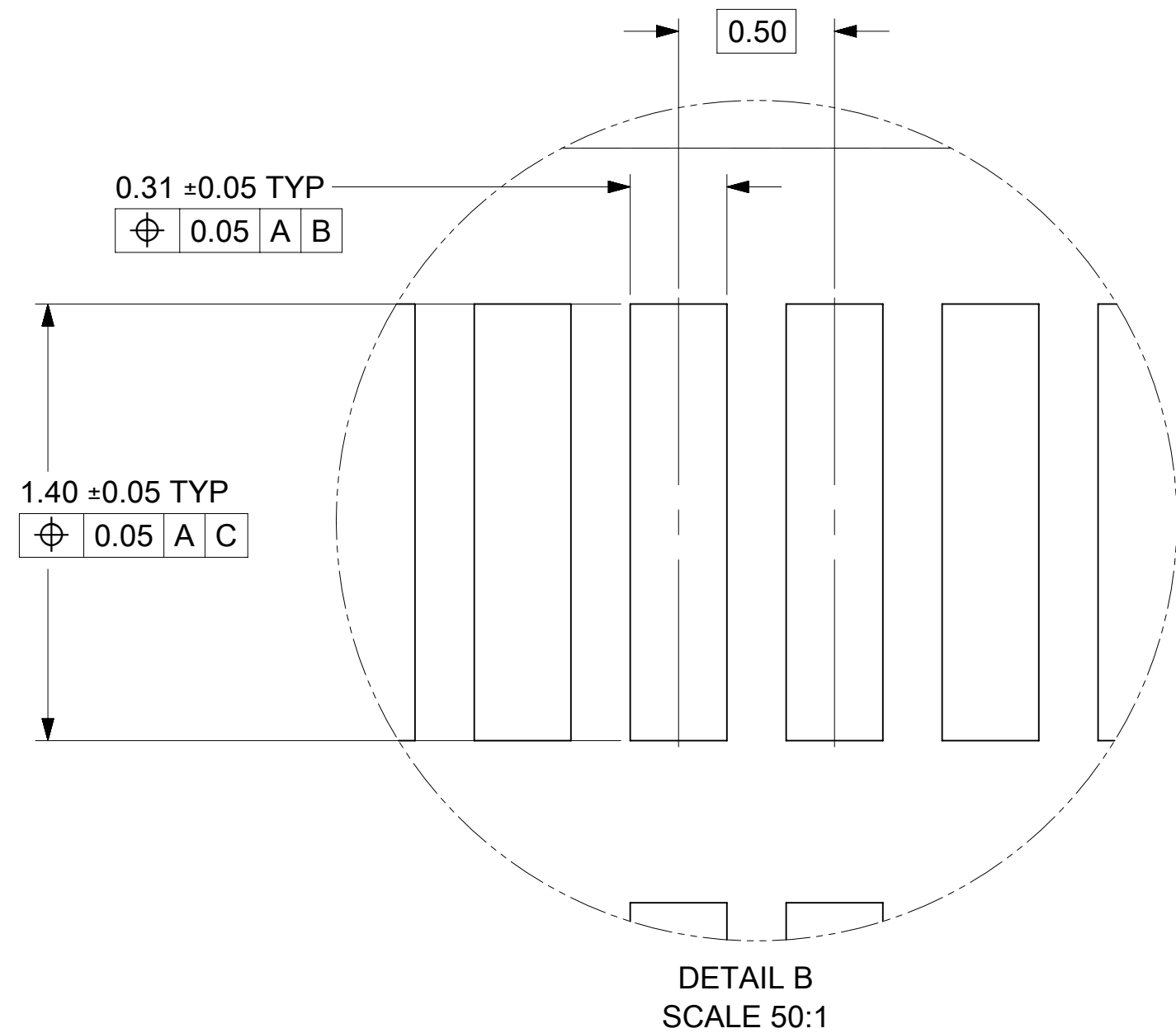
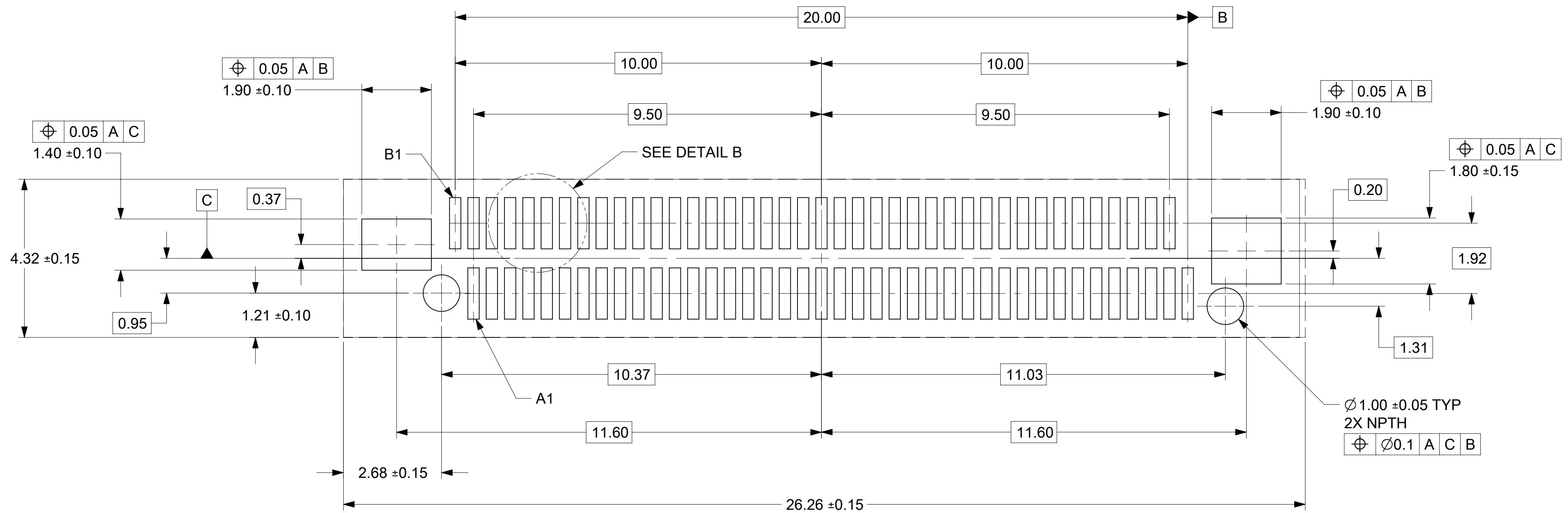
DAY OF THE YEAR

LAST TWO DIGITS OF THE YEAR

2. SOLDER TAIL COPLANARITY 0.10 MAX

FUNCTIONAL SYMBOLS	THIS DRAWING CONTAINS INFORMATION THAT IS PROPRIETARY TO MOLEX ELECTRONIC TECHNOLOGIES, LLC AND SHOULD NOT BE USED WITHOUT WRITTEN PERMISSION												
	DIMENSION UNITS		SCALE		CURRENT REV DESC:								
	mm		8:1										
	GENERAL TOLERANCES (UNLESS SPECIFIED)										EC NO: 672997 DRWN: RCHEN55 2021/01/12 CHK'D: JKACHLIC 2021/08/30 APPR: JKACHLIC 2021/08/30		
4 PLACES ±		MM		INCH									
DIVISIONAL SYMBOLS	3 PLACES ±				INITIAL REVISION:						DOCUMENT NUMBER: SD-173162-0002 DOC TYPE: PSD DOC PART: 001 REVISION: E2		
	2 PLACES ± 0.13				DRWN: BJANOWIAK 2015/05/11								
	1 PLACE ± 0.25				APPR: MBANAKIS 2015/09/18								
	0 PLACES ±				DRAFT WHERE APPLICABLE MUST REMAIN WITHIN DIMENSIONS						THIRD ANGLE PROJECTION 		
DRAWING		SERIES		MATERIAL NUMBER		CUSTOMER		SHEET NUMBER					
C-SIZE		173162		SEE SHEET 1		GENERAL MARKET		4 OF 8					

8X SMT RECOMMENDED FOOTPRINT

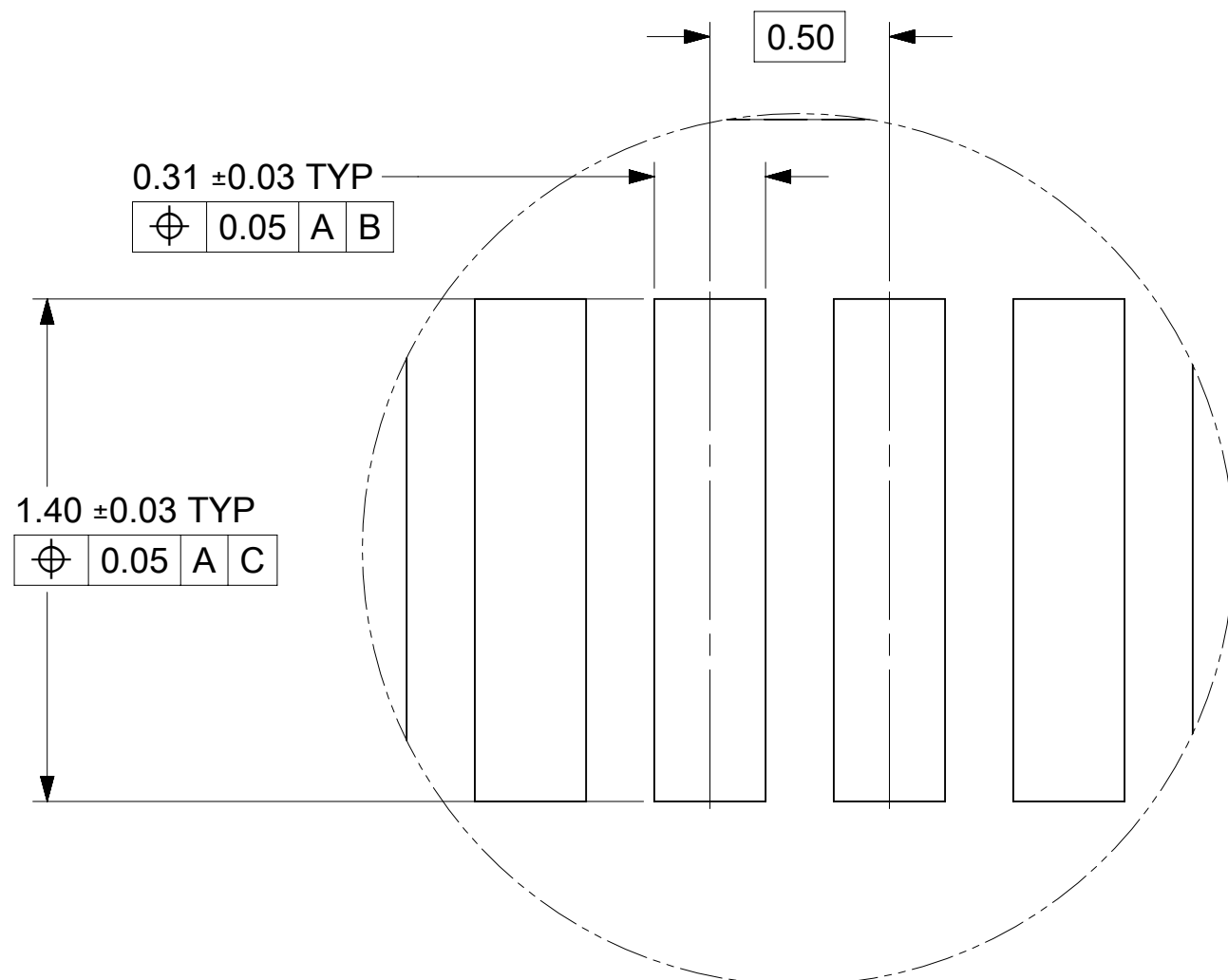
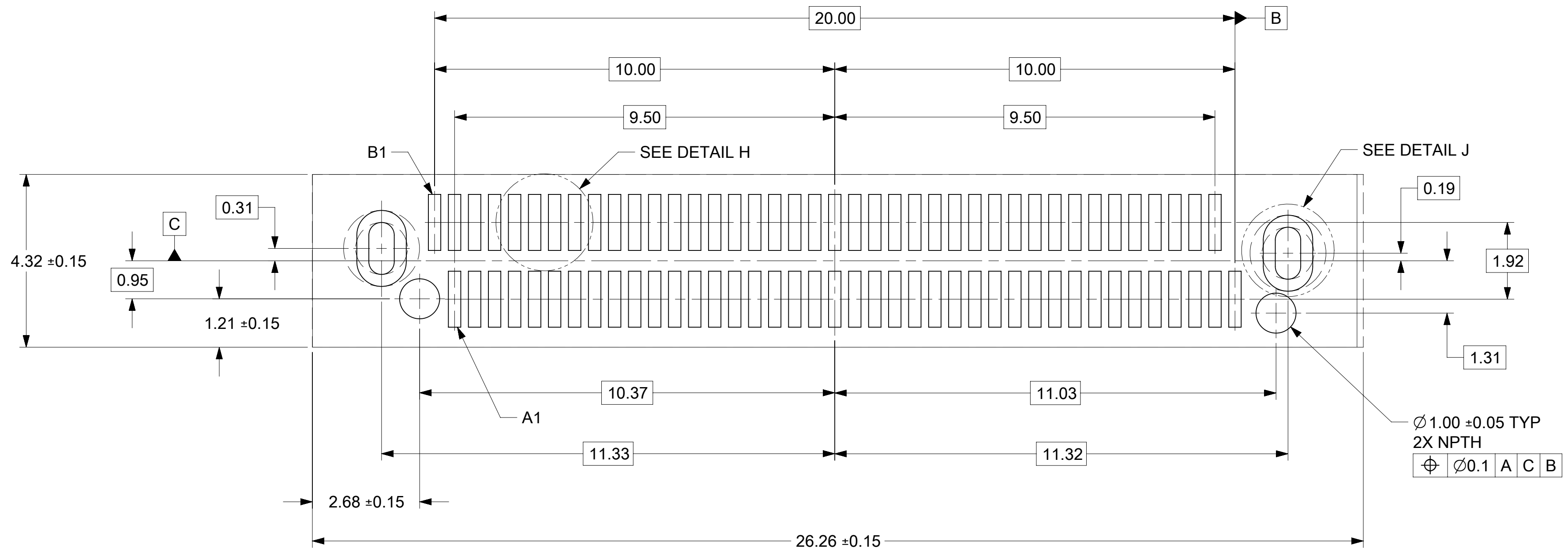


NOTES:

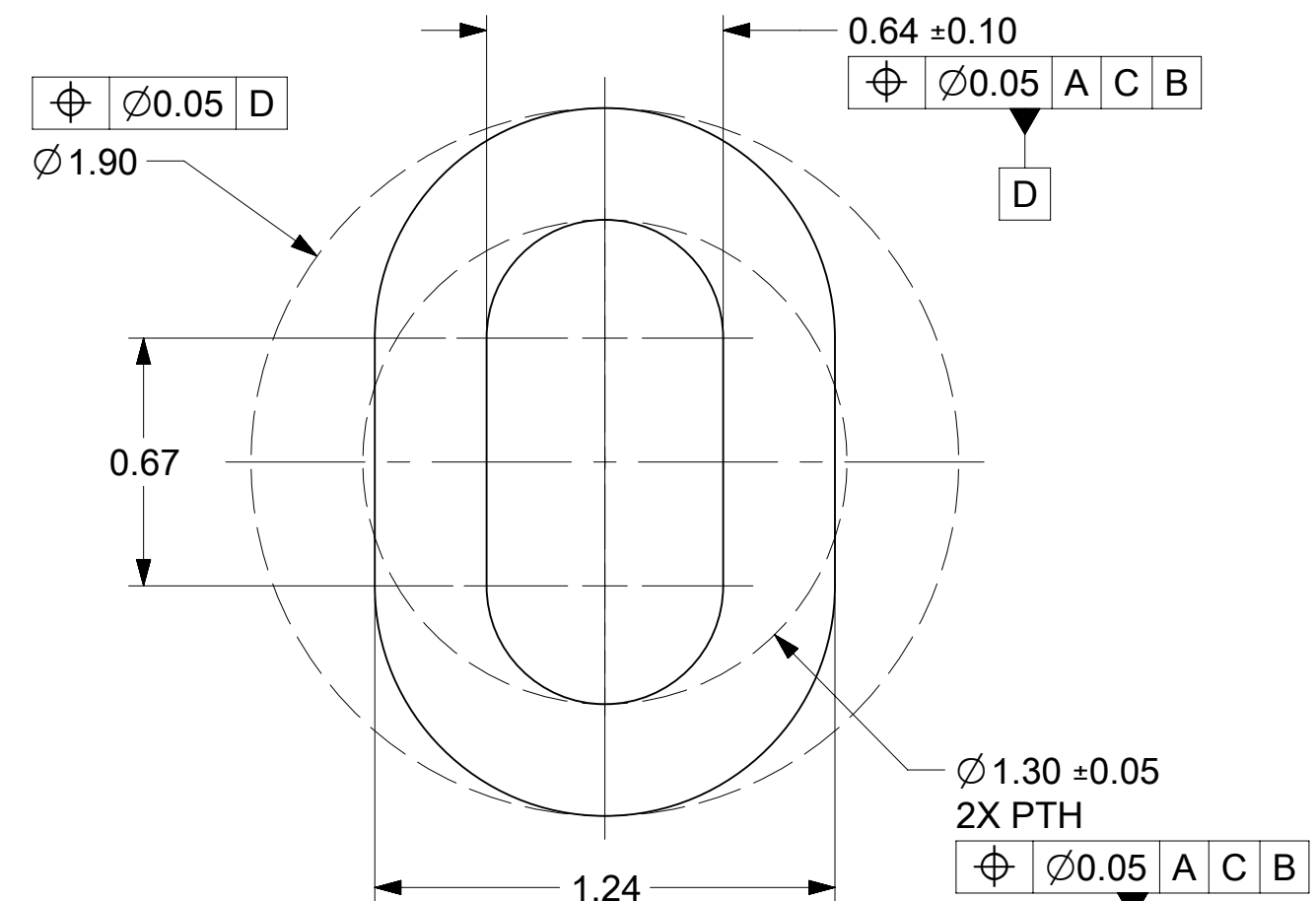
1. MINIMUM RECOMMENDED SPACING BETWEEN ADJACENT CONNECTOR IS 28.50mm
2. MINIMUM RECOMMENDED PCB THICKNESS: 1.57mm
3. CONNECTOR KEEP OUT AREA
4. DATUM -A- ESTABLISHED FROM TOP SURFACE OF PCB

FUNCTIONAL SYMBOLS	THIS DRAWING CONTAINS INFORMATION THAT IS PROPRIETARY TO MOLEX ELECTRONIC TECHNOLOGIES, LLC AND SHOULD NOT BE USED WITHOUT WRITTEN PERMISSION															
	DIMENSION UNITS		SCALE		CURRENT REV DESC:											
$\frac{F}{A} = 0$	mm	12:1		EC NO: 672997 DRWN: RCHEN55 2021/01/12 CHK'D: JKACHLIC 2021/08/30 APPR: JKACHLIC 2021/08/30						NANO PITCH I/O FIXED 25G VERTICAL 8X						
$\frac{F}{C} = 0$	GENERAL TOLERANCES (UNLESS SPECIFIED)											INITIAL REVISION:				
$\frac{F}{P} = 0$			MM	INCH	DRWN: BJANOWIAK 2015/05/11 APPR: MBANAKIS 2015/09/18						DOC TYPE		DOC PART		REVISION	
DIVISIONAL SYMBOLS		4 PLACES	±	±							SD-173162-0002					
		3 PLACES	±	±	PRODUCT CUSTOMER DRAWING						MATERIAL NUMBER		CUSTOMER		SHEET NUMBER	
		2 PLACES	±	0.13	SEE SHEET 1						GENERAL MARKET		5 OF 8			
		1 PLACE	±	0.25												
		0 PLACES	±	±												
		ANGULAR TOL		± 0.5 °												
		DRAFT WHERE APPLICABLE MUST REMAIN WITHIN DIMENSIONS		THIRD ANGLE PROJECTION		DRAWING		SERIES								
						C-SIZE		173162								

8X SOLDER TAIL RECOMMENDED FOOTPRINT



DETAIL H
SCALE 50:1



DETAIL J
SCALE 50:1

- NOTES:
1. MINIMUM RECOMMENDED SPACING BETWEEN ADJACENT CONNECTOR IS 28.50mm
 2. MINIMUM RECOMMENDED PCB THICKNESS: 1.57mm
 3. CONNECTOR KEEP OUT AREA
 4. DATUM -A- ESTABLISHED FROM TOP SURFACE OF PCB

THIS DRAWING CONTAINS INFORMATION THAT IS PROPRIETARY TO MOLEX ELECTRONIC TECHNOLOGIES, LLC AND SHOULD NOT BE USED WITHOUT WRITTEN PERMISSION									
FUNCTIONAL SYMBOLS	DIMENSION UNITS		SCALE		CURRENT REV DESC:				
	mm		12:1						
DIVISIONAL SYMBOLS	GENERAL TOLERANCES (UNLESS SPECIFIED)								
		MM	INCH						
DIVISIONAL SYMBOLS	4 PLACES	±	±						
	3 PLACES	±	±						
	2 PLACES	±	0.13	±					
	1 PLACE	±	0.25	±					
DIVISIONAL SYMBOLS	0 PLACES	±	±						
	ANGULAR TOL			±	0.5°				
	DRAFT WHERE APPLICABLE MUST REMAIN WITHIN DIMENSIONS								
THIRD ANGLE PROJECTION		DRAWING		SERIES		MATERIAL NUMBER			
THIRD ANGLE PROJECTION		C-SIZE		173162		SEE SHEET 1			
EC NO: 672997		DRWN: RCHEN55		2021/01/12		DOCUMENT NUMBER			
CHK'D: JKACHLIC		APPR: JKACHLIC		2021/08/30		SD-173162-0002			
INITIAL REVISION:		DRWN: BIANOWIAK		2015/05/11		DOC TYPE		DOC PART	
APPR: MBANAKIS		2015/09/18				PSD		001	
CUSTOMER		GENERAL MARKET		SHEET NUMBER		6 OF 8			

molex

NANO PITCH I/O FIXED 25G
VERTICAL 8X

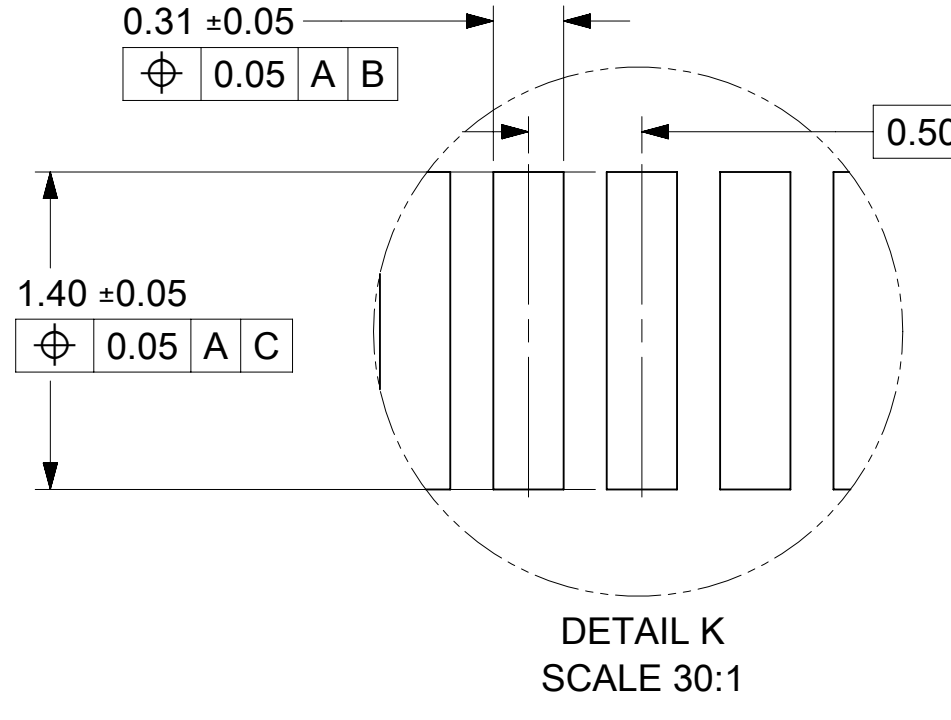
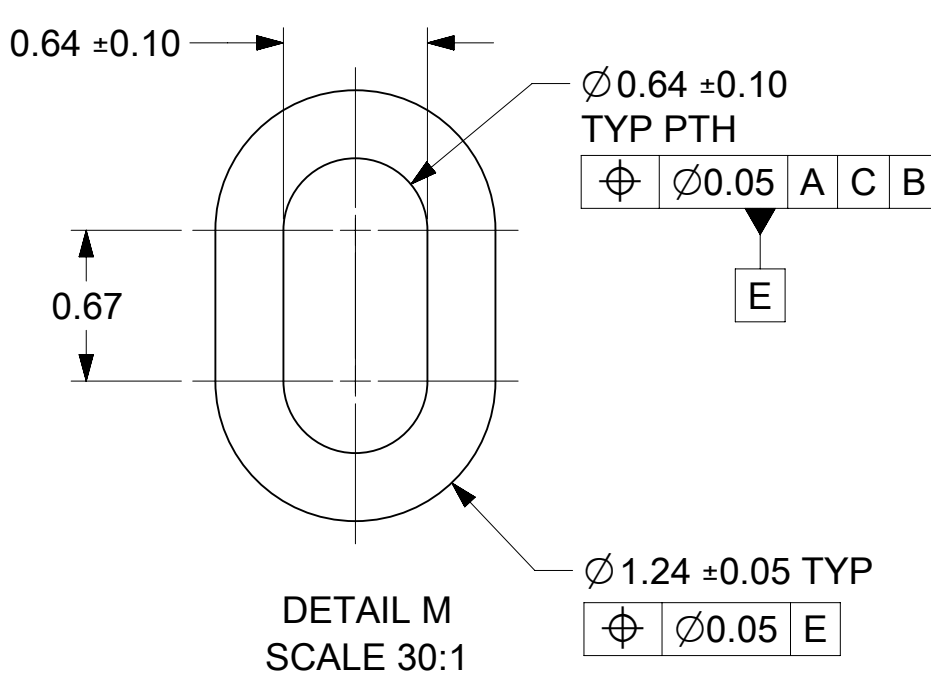
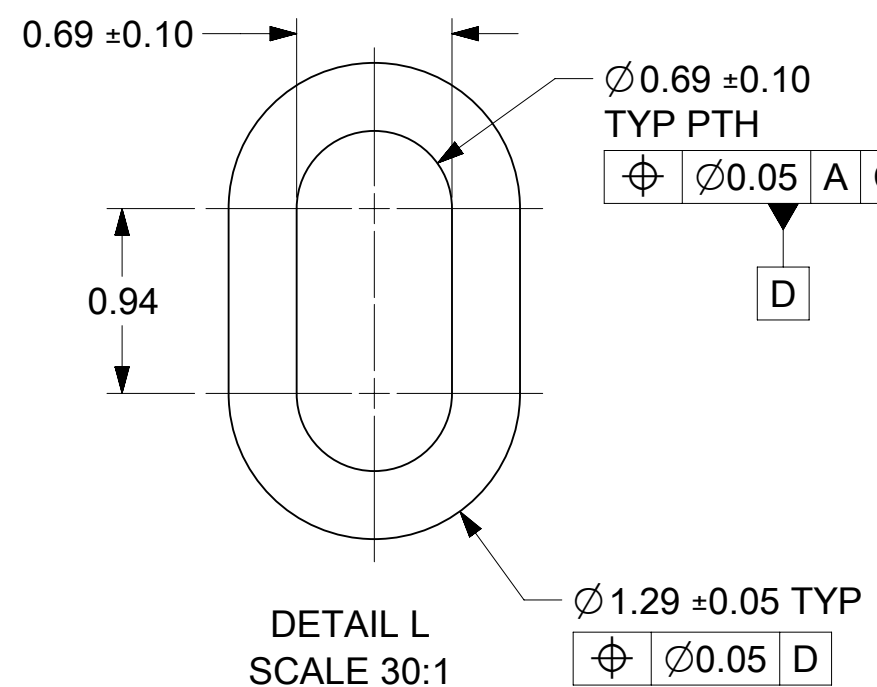
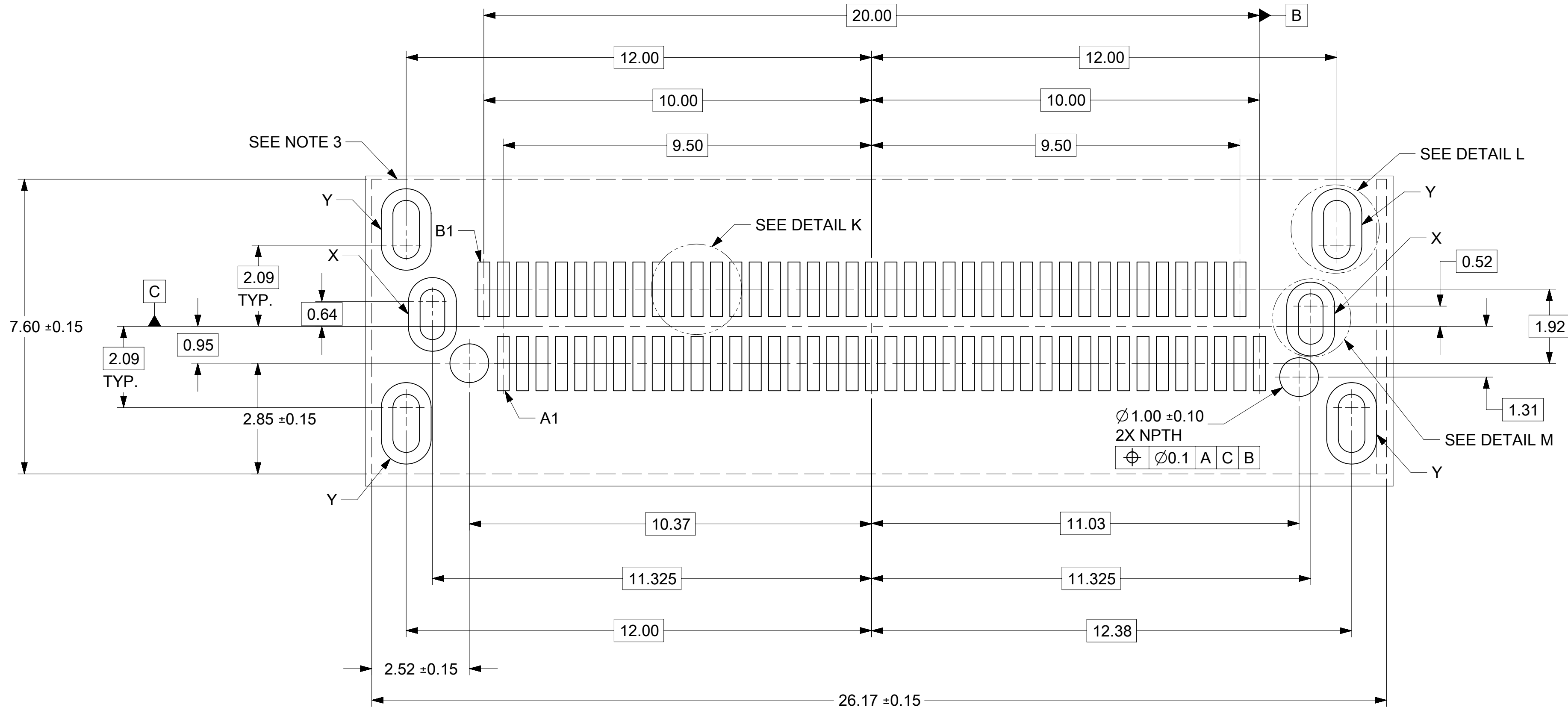
PRODUCT CUSTOMER DRAWING

DOCUMENT NUMBER: SD-173162-0002

DOC TYPE: PSD, DOC PART: 001, REVISION: E2

MATERIAL NUMBER: SEE SHEET 1, CUSTOMER: GENERAL MARKET, SHEET NUMBER: 6 OF 8

8X COMMON TAIL/XD RECOMMENDED FOOTPRINT



- NOTES:
1. MINIMUM RECOMMENDED SPACING BETWEEN ADJACENT CONNECTOR IS 28.50mm
 2. MINIMUM RECOMMENDED PCB THICKNESS: 1.57mm
 3. CONNECTOR KEEP OUT AREA
 4. DATUM -A- ESTABLISHED FROM TOP SURFACE OF PCB
 5. COMMON FOOTPRINT SHOWN
FOR XD ONLY PATTERN USE ONLY PTH DENOTED "Y"
FOR TAIL ONLY PATTERN USE ONLY PTH DENOTED "X"

FUNCTIONAL SYMBOLS										THIS DRAWING CONTAINS INFORMATION THAT IS PROPRIETARY TO MOLEX ELECTRONIC TECHNOLOGIES, LLC AND SHOULD NOT BE USED WITHOUT WRITTEN PERMISSION																			
DIMENSION UNITS					SCALE					CURRENT REV DESC:																			
mm					12:1					EC NO: 672997																			
GENERAL TOLERANCES (UNLESS SPECIFIED)										DRWN: RCHEN55 2021/01/12																			
4 PLACES ±					MM					INCH					CHK'D: JKACHLIC 2021/08/30														
3 PLACES ±					2 PLACES ± 0.13					1 PLACE ± 0.25					0 PLACES ±					APPR: JKACHLIC 2021/08/30									
DIVISIONAL SYMBOLS										INITIAL REVISION:																			
ANGULAR TOL ± 0.5°										DRWN: BIANOWIAK 2015/05/11																			
DRAFT WHERE APPLICABLE MUST REMAIN WITHIN DIMENSIONS										APPR: MBANAKIS 2015/09/18																			
THIRD ANGLE PROJECTION					DRAWING					SERIES					MATERIAL NUMBER					CUSTOMER					SHEET NUMBER				
C-SIZE					173162					SEE SHEET 1					GENERAL MARKET					7 OF 8									

molex

NANO PITCH I/O FIXED 25G
VERTICAL 8X

PRODUCT CUSTOMER DRAWING

DOCUMENT NUMBER: SD-173162-0002
DOC TYPE: PSD
DOC PART: 001
REVISION: E2

REVISION	DATE	DISCRIPTION
E2	8/10/2021	UPDATE THE DATE CODE. SHEET 2/SHEET 3 From "YYDDD" update to "P/N+ YYDDD"

FUNCTIONAL SYMBOLS	THIS DRAWING CONTAINS INFORMATION THAT IS PROPRIETARY TO MOLEX ELECTRONIC TECHNOLOGIES, LLC AND SHOULD NOT BE USED WITHOUT WRITTEN PERMISSION										
$\frac{FA}{A} = 0$	DIMENSION UNITS	SCALE	CURRENT REV DESC:								
$\frac{FC}{C} = 0$	mm	1:1	EC NO: 672997 DRWN: RCHEN55 2021/01/12 CHK'D: JKACHLIC 2021/08/30 APPR: JKACHLIC 2021/08/30 INITIAL REVISION: DRWN: BJANOWIAK 2015/05/11 APPR: BJANOWIAK 2015/06/15								
$\frac{FP}{P} = 0$	GENERAL TOLERANCES (UNLESS SPECIFIED)										
#####	ANGULAR TOL	± 0.5°									
	4 PLACES	±									
	3 PLACES	±									
	2 PLACES	± 0.13	PRODUCT CUSTOMER DRAWING								
	1 PLACE	± 0.25	DOCUMENT NUMBER			DOC TYPE	DOC PART	REVISION			
	0 PLACES	±	SD-173162-0002			PSD	001	E2			
	DRAFT WHERE APPLICABLE MUST REMAIN WITHIN DIMENSIONS		THIRD ANGLE PROJECTION	DRAWING	SERIES	MATERIAL NUMBER	CUSTOMER	SHEET NUMBER			
				C-SIZE	173162		GENERAL MARKET	8 OF 8			

单击下面可查看定价，库存，交付和生命周期等信息

[>>MOLEX](#)