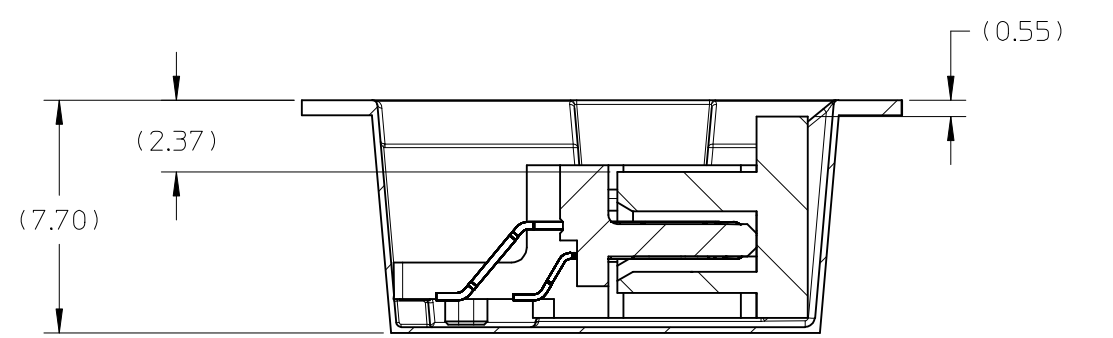
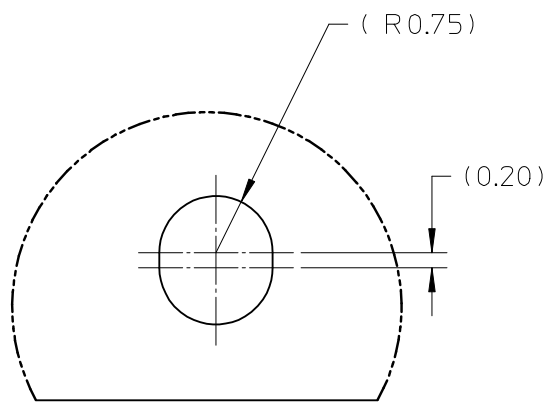


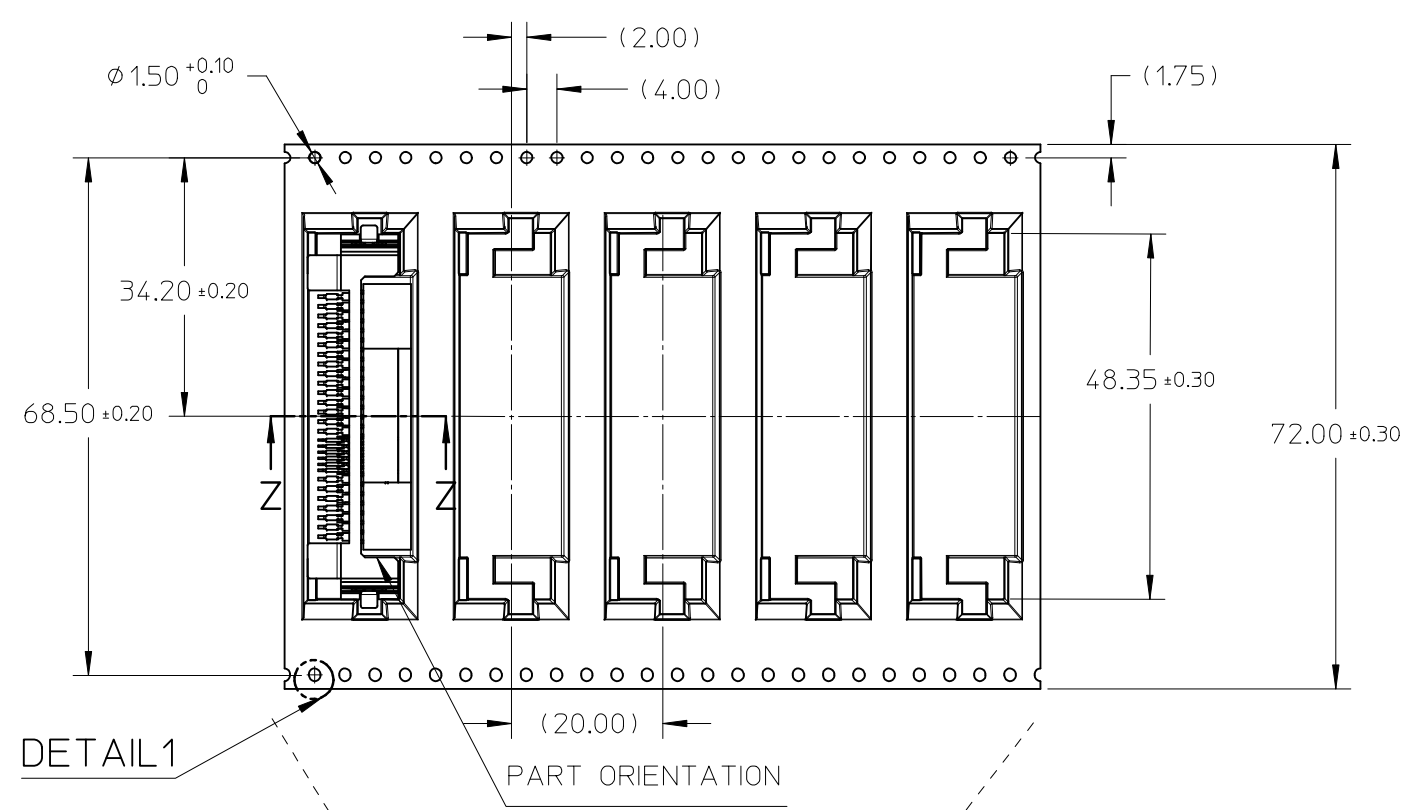
EMBOSSED TAPE PART NO	TOP TAPE PART NO	ASSEMBLY PART NO	QUANTITY/ REEL	REELS/ CARTON
78888-2046	47799-5200	78758-0001	500	2
		78758-0002		



SECTION Z-Z

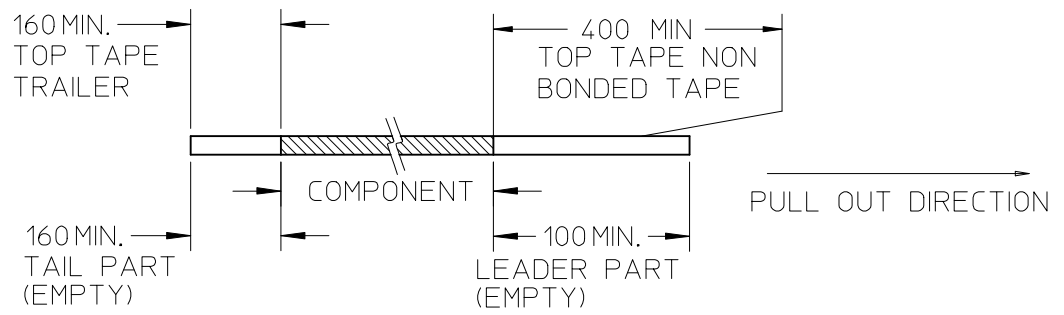


DETAIL1

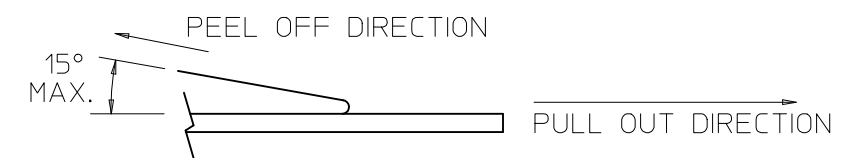


NOTES:

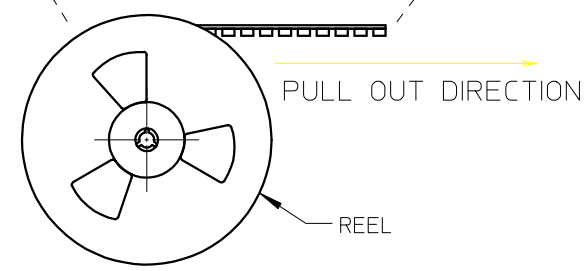
1. LEADER AND TRAILER TAPE



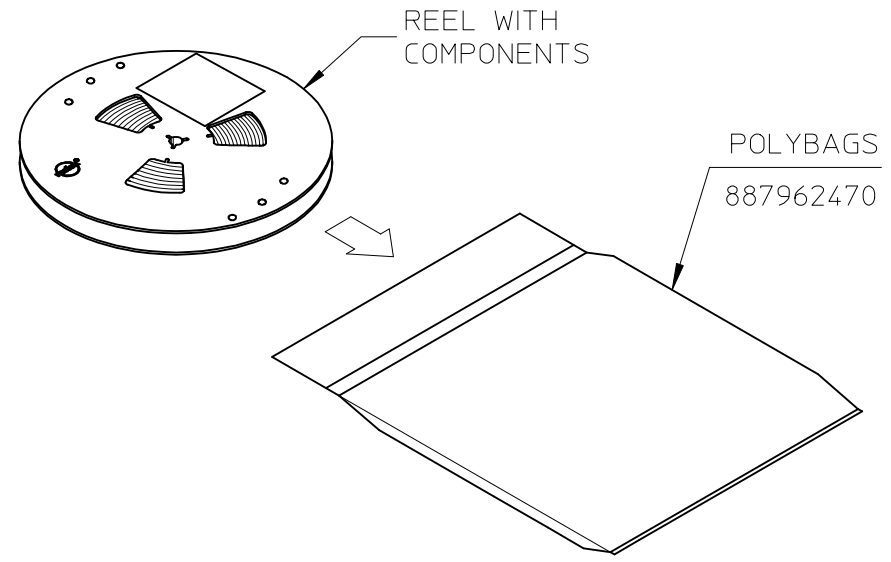
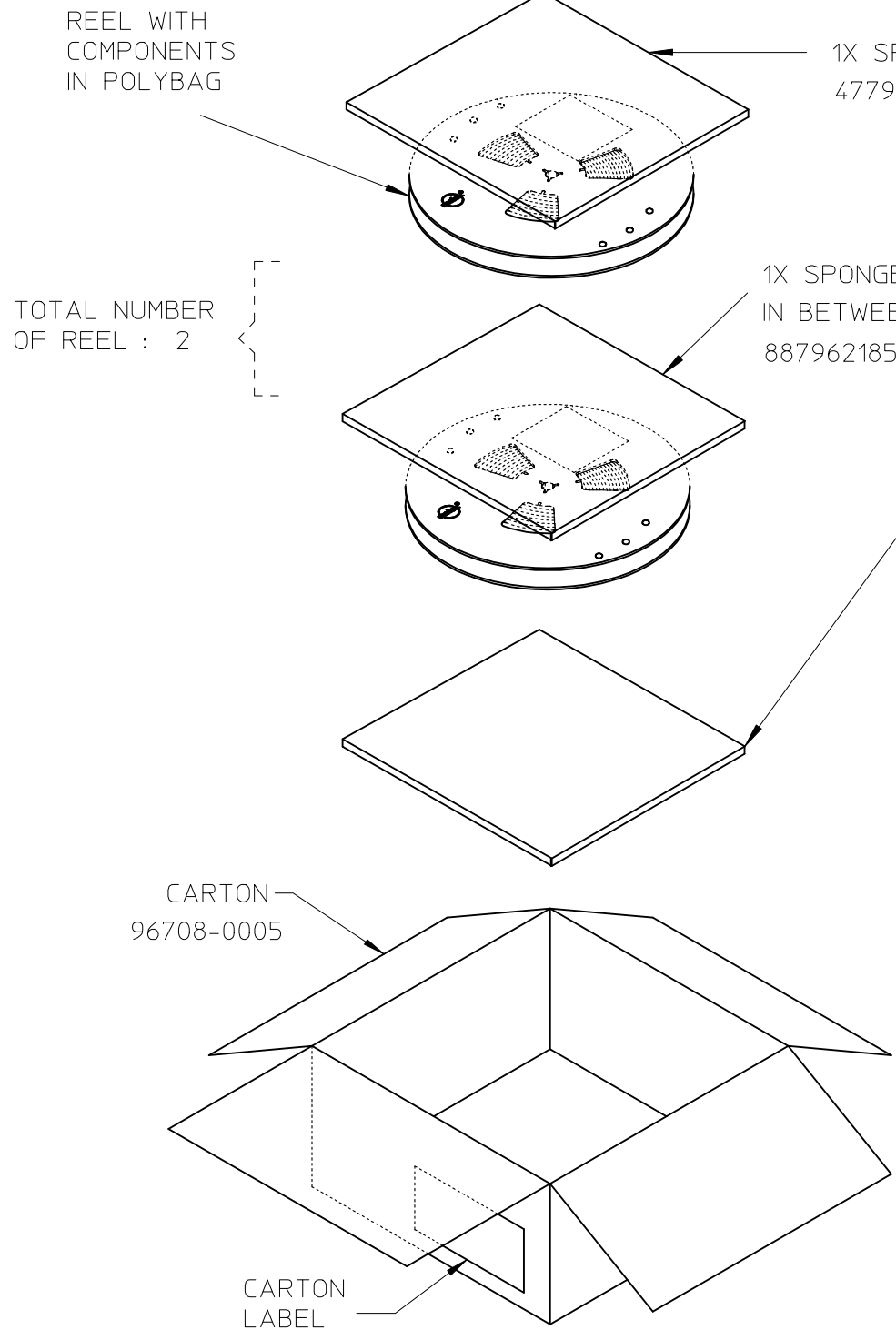
2. PEELING OFF FORCE OF THE TOP TAPE: 10 - 150gf.  
(PEELING DIRECTION AS SHOWN IN FOLLOWING FIGURE)



- 3. TAPE AND REEL SPECIFICATION IS AS PER EIA-481.
- 4. TAPE AND REEL QUANTITY : 500 PCS/ REEL.
- 5. THE TAPE IS TREATED FOR ANTI-STATIC.
- 6. PARTS TO BE PACKED AND ORIENTATED AS PER DETAIL SHOWN.
- 7. CLOSE CARTON WITH TAPE.
- 8. ORIENTATION OF THE CONNECTOR IN ALL OTHER PRODUCTS ARE SAME AS THE SHOWN.



USE ESD TOP TAPE EC NO: S2016-0877 DRWN:WZHA021 CHKD:MLONG APPR:SHLENI	2016/04/07 2016/04/15 2016/05/25	DESCRIPTION QUALITY SYMBOLS $\nabla_A = 0$ $\nabla_C = 0$ $\nabla_P = 0$	GENERAL TOLERANCES (UNLESS SPECIFIED)		DIMENSION STYLE	SCALE	DESIGN UNITS	THIRD ANGLE PROJECTION			
					MM ONLY	NTS	METRIC				
						mm	INCH	DRAWN BY	DATE	TITLE	
						4 PLACES	± ---	± ---	CGOH	2012/09/20	PACKAGING SPECIFICATION FOR 78758 (TAPE & REEL) SAS/PCIE PLUG
			3 PLACES	± ---	± ---	CHECKED BY	DATE				
			2 PLACES	± ---	± ---	GMENARLY	2012/10/17				
			1 PLACE	± ---	± ---	APPROVED BY	DATE				
			0 PLACE	±	±	BOKOK	2012/10/17				
			ANGULAR ± --- °		MATERIAL NO.		DOCUMENT NO.				
			DRAFT WHERE APPLICABLE MUST REMAIN WITHIN DIMENSIONS		SEE TABLE		PK-78758-001				
			SIZE A3		THIS DRAWING CONTAINS INFORMATION THAT IS PROPRIETARY TO MOLEX INCORPORATED AND SHOULD NOT BE USED WITHOUT WRITTEN PERMISSION						
							SHEET NO. 1 OF 2				



Stack Reel

- NOTES:
- 9. PARTS MUST BE PACKED AND ORIENTATED AS PER DETAIL SHOWN.
  - 10. CLOSE CARTON WITH TAPE.
  - 11. ORIENTATION OF THE CONNECTOR IN ALL OTHER POCKETS ARE THE SAME AS THE SHOWN.

USE ESD TOP TAPE EC NO: S2016-0877 DRWN:WZHA021 2016/04/07 CHKD:MLONG 2016/04/15 APPR:SHLENI 2016/05/25	QUALITY SYMBOLS $F_A=0$ $F_E=0$ $F_P=0$	GENERAL TOLERANCES (UNLESS SPECIFIED)		DIMENSION STYLE		SCALE	DESIGN UNITS	THIRD ANGLE PROJECTION	
				MM ONLY		NTS	METRIC		
				mm	INCH	DRAWN BY	DATE		TITLE
				4 PLACES ± ---	± ---	CGOH	2012/09/20		PACKAGING SPECIFICATION FOR 78758 (TAPE & REEL) SAS/PCIE PLUG
		3 PLACES ± ---	± ---	CHECKED BY	DATE				
		2 PLACES ± ---	± ---	GMENARLY	2012/10/17	<b>molex</b>			
		1 PLACE ± ---	± ---	APPROVED BY	DATE				
		0 PLACE ±	±	BOKOK	2012/10/17	DOCUMENT NO.	SHEET NO.		
		ANGULAR ± --- °		MATERIAL NO.		PK-78758-001			
		DRAFT WHERE APPLICABLE MUST REMAIN WITHIN DIMENSIONS		SEE TABLE		2 OF 2			
				SIZE A3	THIS DRAWING CONTAINS INFORMATION THAT IS PROPRIETARY TO MOLEX INCORPORATED AND SHOULD NOT BE USED WITHOUT WRITTEN PERMISSION				

单击下面可查看定价，库存，交付和生命周期等信息

[>>MOLEX](#)