

NOTES

- 1 材料及び仕上げ(めっき仕様) : TABLE 1 参照
MATERIAL AND FINISHES : SEE TABLE 1
- 2 梱包形態 : SHEET 3 参照
PACKAGING INFORMATION : SEE SHEET 3
- 3 嵌合相手 : 78172 シリーズ
MATES WITH:78172 SERIES
- 4 製品仕様書 : 781720000-PS PS 000
PRODUCT SPECIFICATION:781720000-PS PS 000
- 5 アプリケーション仕様書(コネクタ取扱い説明書) : AS-78172-001
APPLICATION SPECIFICATION(CONNECTOR MANUAL):AS-78172-001
- 6 端子テール部及びネイルの平坦度:0.1 MAX.
平らなゲージ面にコネクタを配置してから測定する。
TAIL AND NAIL COPLANARITY TO BE 0.1 MAX. TO BE MEASURED BY PLACING THE CONNECTOR ON FLAT GAUGE SURFACE.
- 7 ELV及びRoHS適合品。
ELV & RoHS COMPLIANT.

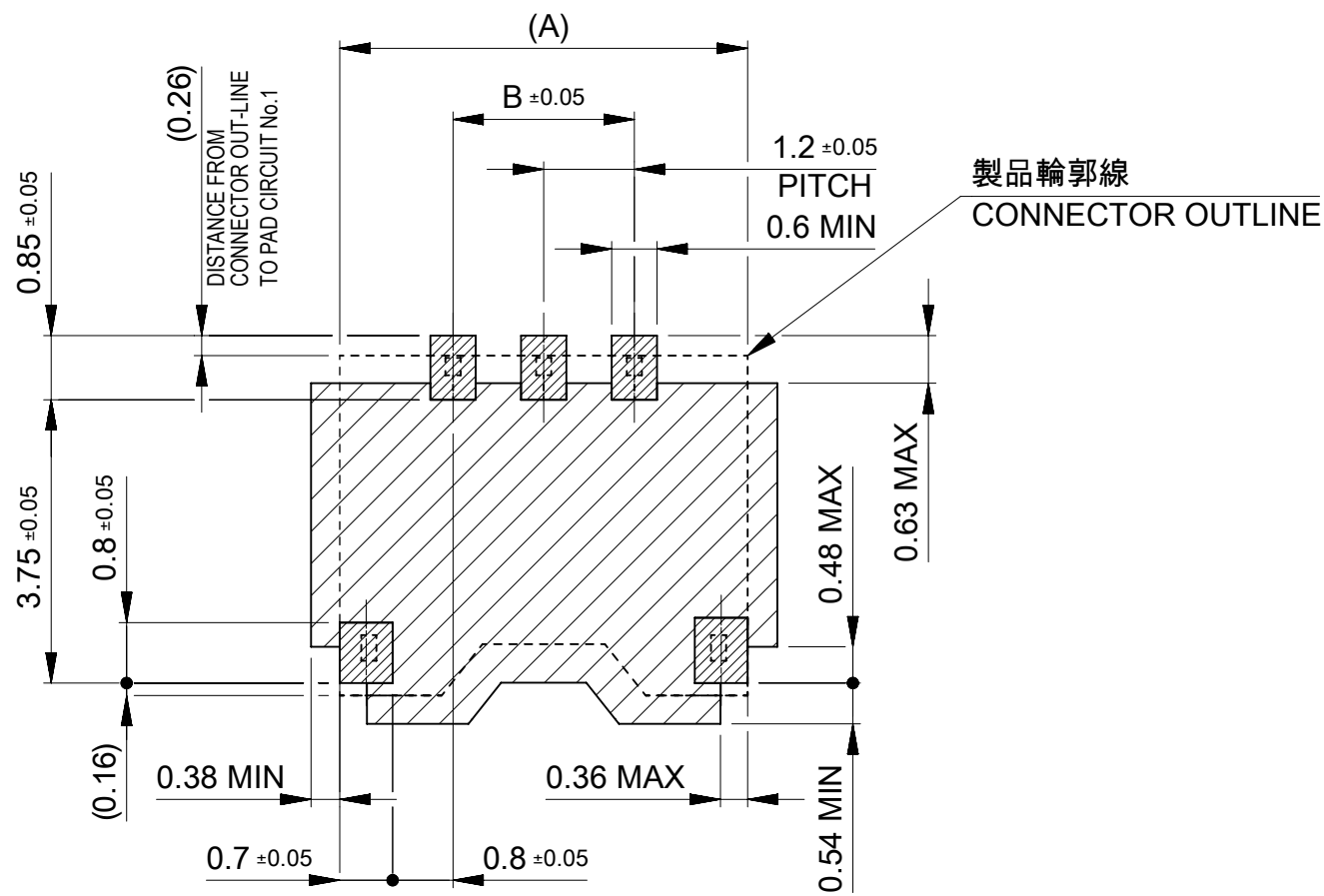
TABLE 1

| 番号 No. | 部品 PART | 仕様 SPECIFICATION | |
|-----------|-------------------|--|---|
| 1 | ハウジング HOUSING | 液晶ポリマー(LCP), ガラス充填, UL94 V-0, 色 : 黒 LIQUID CRYSTAL POLYMER (LCP), GLASS FILLED, UL94 V-0, COLOR:BLACK | |
| 2 | ターミナル TERMINAL | 材料 MATERIAL | 黄銅 BRASS |
| | | 下地めっき UNDER PLATING | ニッケルめっき:1.0 micro-meter MIN NICKEL: 1.0 micro-meter MIN |
| | | 接点部めっき CONTACT PLATING | 金めっき 0.1 micro-meter MIN GOLD 0.1 micro-meter MIN |
| 3 | ネイル NAIL | 材料 MATERIAL | 黄銅 BRASS |
| | | 下地めっき UNDER PALATING | ニッケルめっき:1.0 micro-meter MIN NICKEL: 1.0 micro-meter MIN |
| | | 表面めっき SURFACE PLATING | 錫めっき 1.5 micro-meters MIN MATTE TIN PLATING 1.5 micro-meters MIN |

| | | | | | |
|-----|-----|-----|-----|------------------|--------------------|
| 5.1 | 6.2 | 4.8 | 7.8 | 781710005 | 5 |
| 3.9 | 5.0 | 3.6 | 6.6 | 781710004 | 4 |
| 2.7 | 3.8 | 2.4 | 5.4 | 781710003 | 3 |
| 1.5 | 2.6 | 1.2 | 4.2 | 781710002 | 2 |
| D | C | B | A | 発注番号 ORDER No | 極数 CIRCUIT SIZE |

THIS DRAWING CONTAINS INFORMATION THAT IS PROPRIETARY TO MOLEX ELECTRONIC TECHNOLOGIES, LLC AND SHOULD NOT BE USED WITHOUT WRITTEN PERMISSION

| | | | | | | |
|--|--------|---------------------------|------------|--|-----------------|----------|
| DIMENSION UNITS | SCALE | CURRENT REV DESC: REDRAWN | | molex | | |
| mm | NTS | | | | | |
| GENERAL TOLERANCES (UNLESS SPECIFIED) | | | | PICO-EZMATE 1.2 WIRE TO BOARD CONNECTOR 2-5 CKT PLUG ASSEMBLY | | |
| ANGULAR TOL | ± 3.0° | EC NO: 677110 | | PRODUCT CUSTOMER DRAWING | | |
| 4 PLACES | ± 0.2 | DRWN: SNAKAMURA08 | 2018/06/15 | DOCUMENT NUMBER | | |
| 3 PLACES | ± 0.2 | CHK'D: SAKIYAMA | 2022/06/06 | DOC TYPE | | |
| 2 PLACES | ± 0.2 | APPR: AIDA | 2022/06/07 | DOC PART | | |
| 1 PLACE | ± 0.2 | INITIAL REVISION: | | REVISION | | |
| 0 PLACES | ± 0.2 | DRWN: SNAKAMURA08 | 2018/06/15 | 781710000-SD | | |
| DRAFT WHERE APPLICABLE MUST REMAIN WITHIN DIMENSIONS | | THIRD ANGLE PROJECTION | DRAWING | SERIES | MATERIAL NUMBER | CUSTOMER |
| | | | A3-SIZE | 78171 | SEE CHART | GENERAL |
| | | | | | | 1 OF 3 |

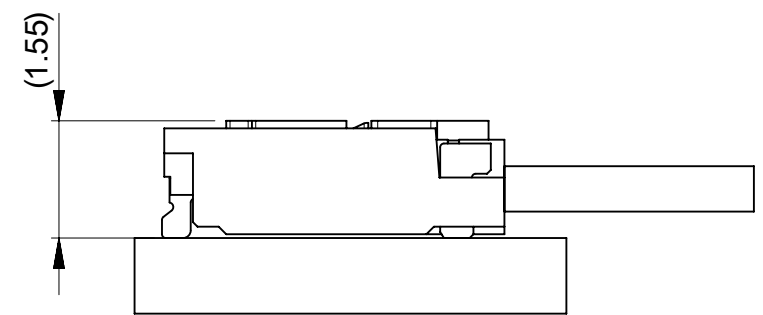
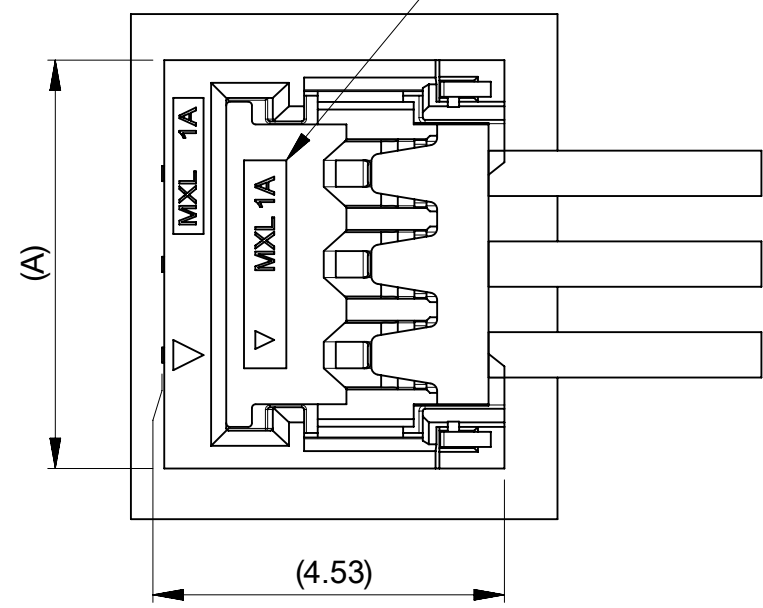


製品輪郭線
CONNECTOR OUTLINE

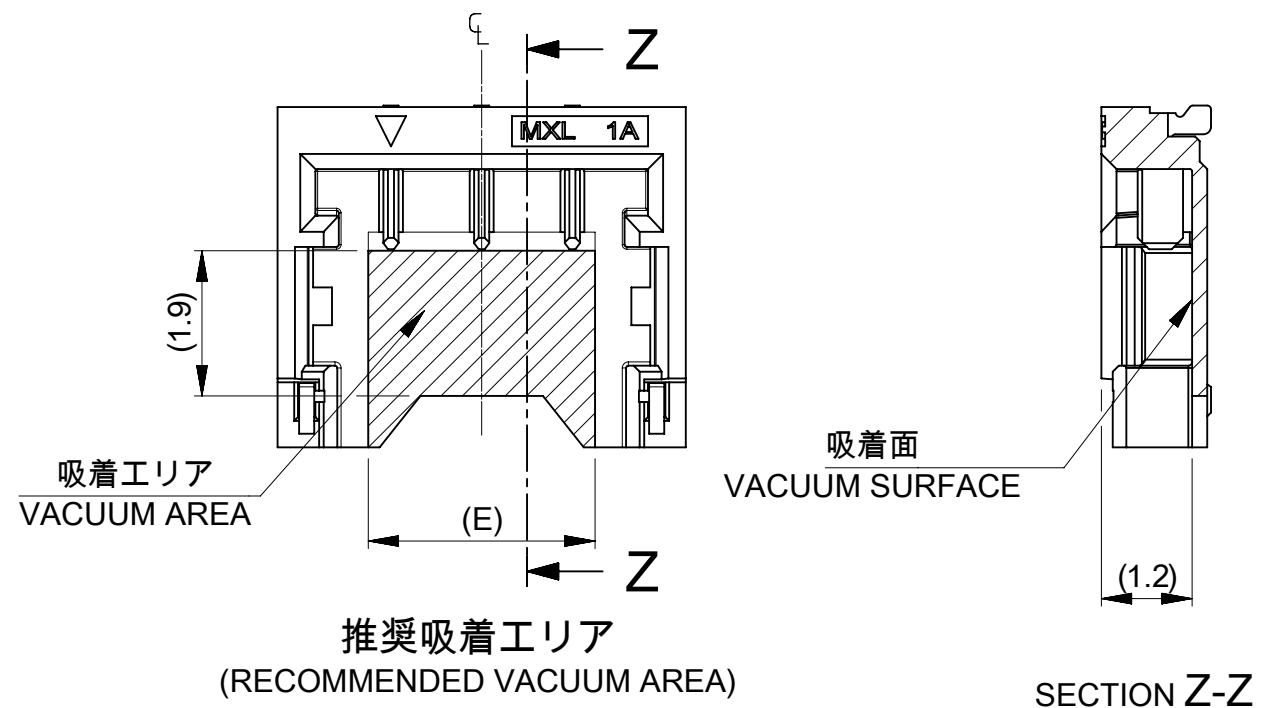
推奨基板レイアウト：実装面側
(参考：基板厚1.0mm、メタルマスク厚さ 0.1mm、マスク開口100%)
RECOMMENDED PCB LAYOUT : COMPONENT SIDE
(REFERENCE: PCB THICKNESS 1.0mm, STENCIL THICKNESS 0.1mm APERTURE RATIO 100%)

パターン非推奨エリア
パターンを引き回す際は、製品機能に影響がないことをご確認ください。
PATTERN IS NOT RECOMMENDED ON THE HATCHED AREA.
PLEASE CHECK NOT TO HAVE PROBLEM FOR PRODUCT FUNCTION
WHEN SETTING PATTERN ON THE HATCHED AREA.

3 嵌合相手：78172シリーズ
MATE WITH：78172 SERIES



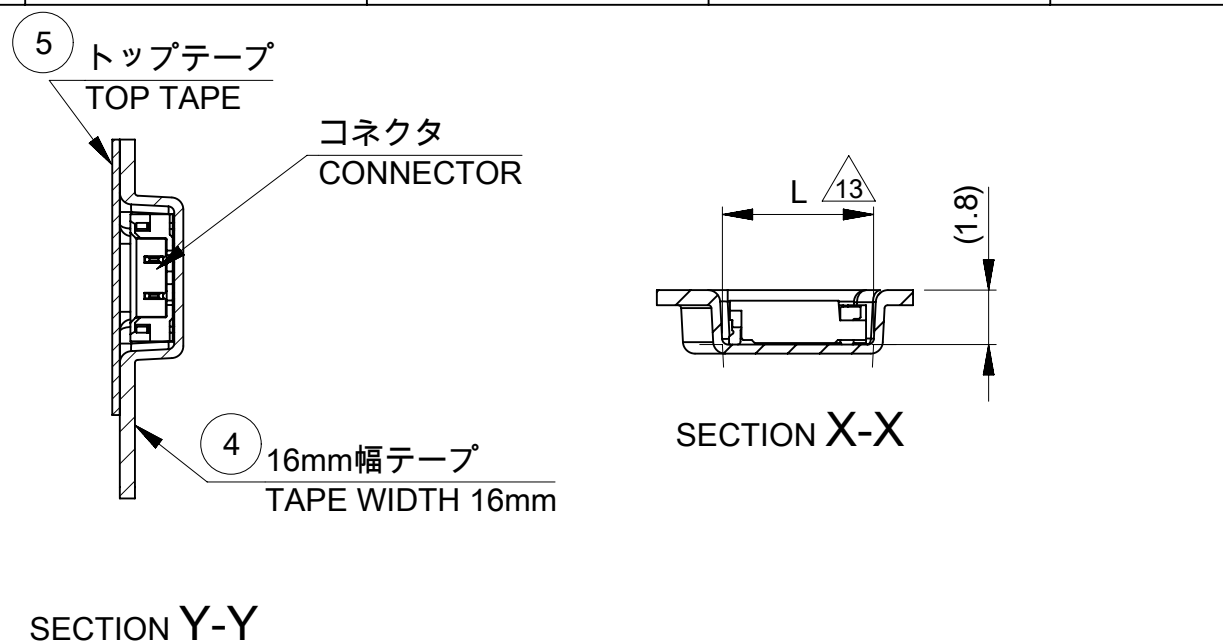
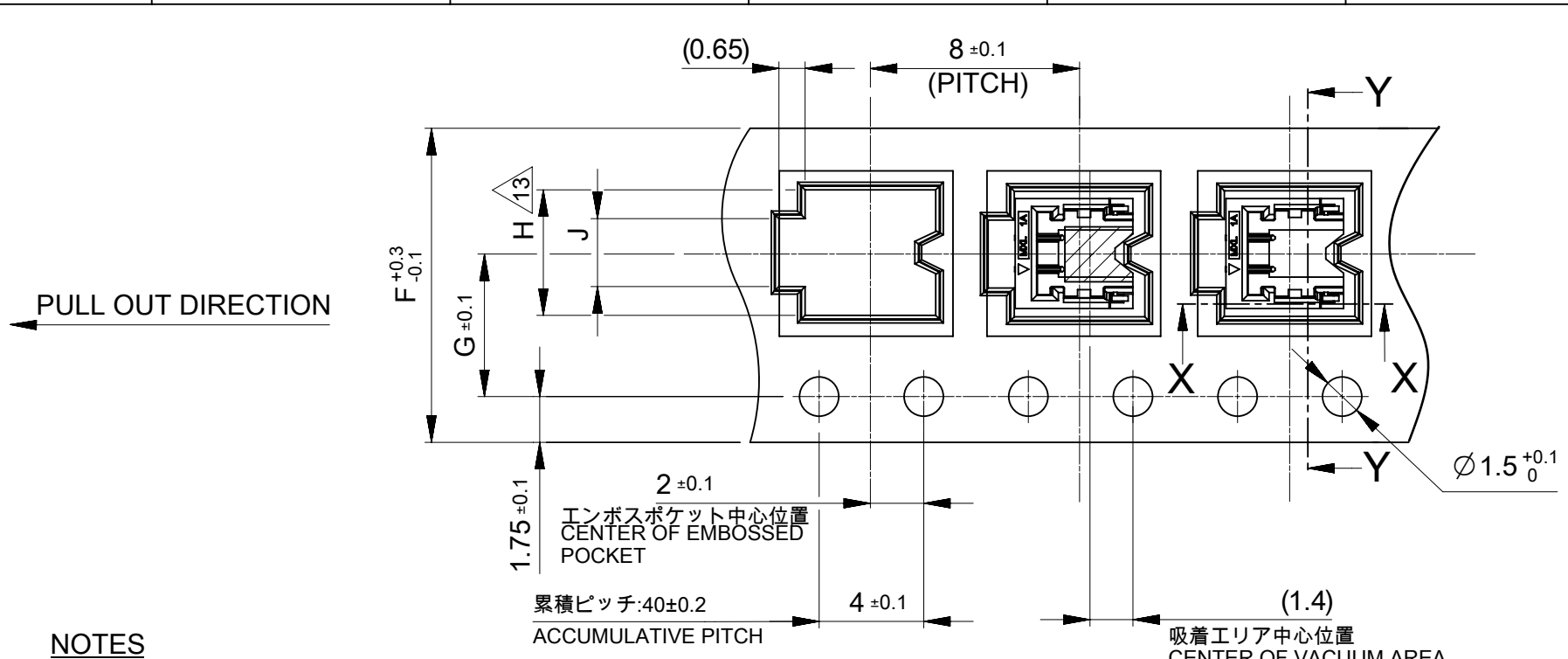
嵌合図
MATED CONNECTORS



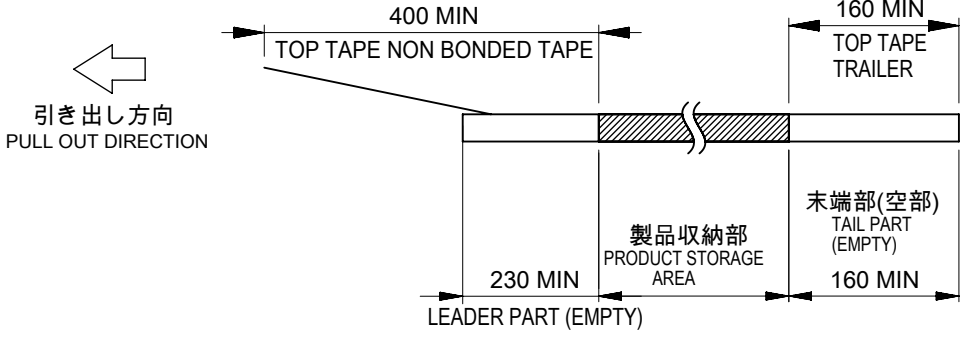
| | |
|-----|--------------------|
| 5.1 | 5 |
| 3.9 | 4 |
| 2.7 | 3 |
| 1.5 | 2 |
| E | 極数 CIRCUIT SIZE |

THIS DRAWING CONTAINS INFORMATION THAT IS PROPRIETARY TO MOLEX ELECTRONIC TECHNOLOGIES, LLC AND SHOULD NOT BE USED WITHOUT WRITTEN PERMISSION

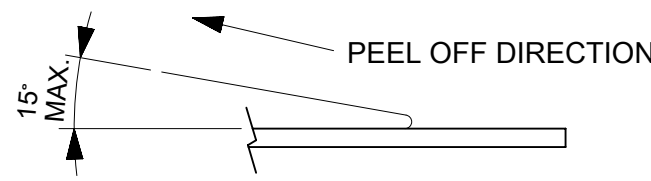
| | | | | | |
|--|--------|---------------------------|------------|--|-----------------|
| DIMENSION UNITS | SCALE | CURRENT REV DESC: REDRAWN | | molex | |
| mm | NTS | | | | |
| GENERAL TOLERANCES (UNLESS SPECIFIED) | | | | PICO-EZMATE 1.2 WIRE TO BOARD CONNECTOR 2-5 CKT PLUG ASSEMBLY | |
| ANGULAR TOL | ± 3.0° | | | PRODUCT CUSTOMER DRAWING | |
| 4 PLACES | ± 0.2 | EC NO: 677110 | | DOCUMENT NUMBER | |
| 3 PLACES | ± 0.2 | DRWN: SNAKAMURA08 | 2018/06/15 | 781710000-SD | PSD 000 A |
| 2 PLACES | ± 0.2 | CHK'D: SAKIYAMA | 2022/06/06 | | |
| 1 PLACE | ± 0.2 | APPR: AIDA | 2022/06/07 | SHEET NUMBER | |
| 0 PLACES | ± 0.2 | INITIAL REVISION: | | CUSTOMER | |
| DRAFT WHERE APPLICABLE MUST REMAIN WITHIN DIMENSIONS | | THIRD ANGLE PROJECTION | DRAWING | SERIES | MATERIAL NUMBER |
| | | | A3-SIZE | 78171 | SEE CHART |



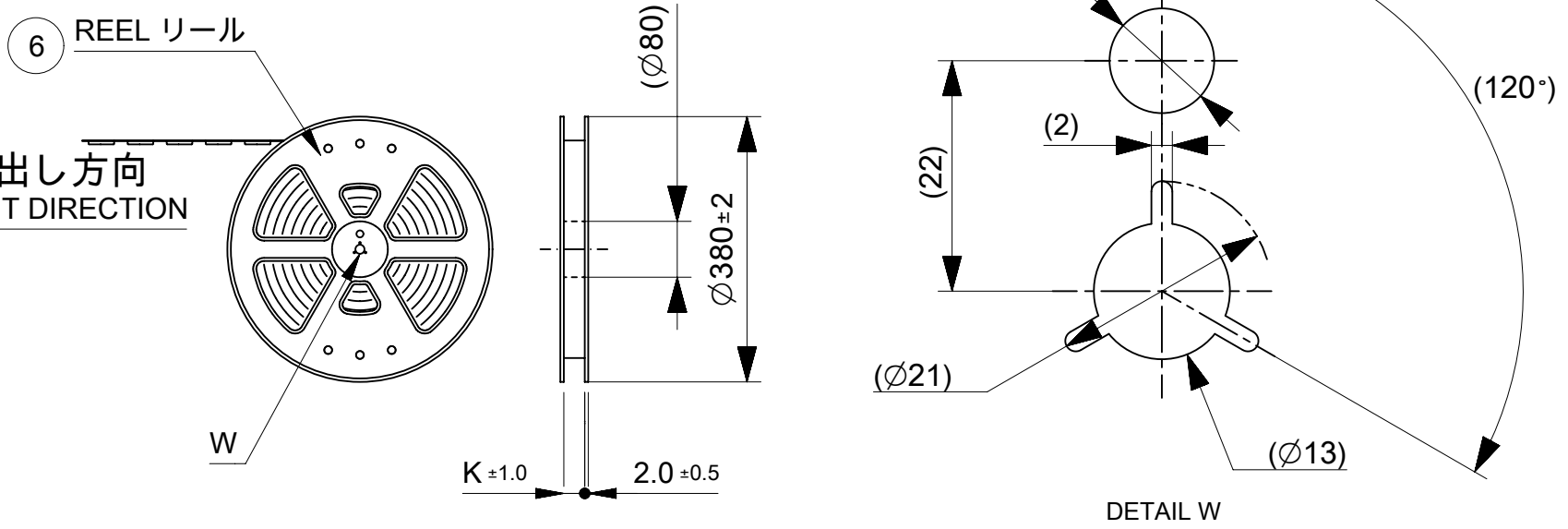
- NOTES**
- 8. 梱包数量 : 4500個/リール
NUMBER OF CONNECTORS : 4500 PIECES/REEL
 - 9. リードテープ長さ
LEAD TAPE LENGTH



- 10. エンボステープおよびリールはEIA-481に準拠。
TAPE AND REEL IS DEFINED BY EIA-481.
- 11. トップテープの剥離強度 : 20gf - 80gf
TOP TAPE PEELING FORCE: 20gf - 80gf



- 12. 梱包仕様書: SPK-78171-001
PACKAGING SPECIFICATION: SPK-78171-001
- △13 H & Lはポケットの底面から0.3 mmの平面で測定する。
H & L ARE MEASURED ON A PLANE 0.3 mm ABOVE THE BOTTOM OF THE POCKET.



| | | | | | | |
|---|------|-----|-----|----------------------------------|----------------------------|--------------------|
| 5 | 17.4 | 6.2 | 8.3 | 7.5 | 16 | 5 |
| | | 5.0 | 7.1 | | | 4 |
| | | 3.8 | 5.9 | | | 3 |
| | | 2.6 | 4.7 | | | 2 |
| L | K | J | H | コネクタ中心位置G CENTER OF CONNECTOR | エンボステープ幅F WIDTH OF TAPE | 極数 CIRCUIT SIZE |

| 番号 NO. | 部品 PART | 材質 MATERIAL |
|-----------|---------------------------|--|
| 4 | エンボステープ EMBOSSSED TAPE | ポリプロピレン(PP)、色: クリア POLYPROPYLENE(PP), COLOR: CLEAR |
| 5 | トップテープ TOP TAPE | ポリエチレン(PE)、その他 POLYETHYLENE(PE), etc |
| 6 | リール REEL | ポリスチレン(PS)、色 : 黒 <リサイクル材を含む> POLYSTYRENE(PS), COLOR: BLACK <RECYCLE MATERIAL CONTAINED> |

THIS DRAWING CONTAINS INFORMATION THAT IS PROPRIETARY TO MOLEX ELECTRONIC TECHNOLOGIES, LLC AND SHOULD NOT BE USED WITHOUT WRITTEN PERMISSION

DIMENSION UNITS: mm SCALE: NTS CURRENT REV DESC: REDRAWN

molex

PICO-EZMATE 1.2 WIRE TO BOARD CONNECTOR
2-5 CKT PLUG ASSEMBLY

PRODUCT CUSTOMER DRAWING

DOCUMENT NUMBER: 781710000-SD DOC TYPE: PSD DOC PART: 000 REVISION: A

DRAFT WHERE APPLICABLE MUST REMAIN WITHIN DIMENSIONS THIRD ANGLE PROJECTION DRAWING: A3-SIZE SERIES: 78171 MATERIAL NUMBER: SEE CHART CUSTOMER: GENERAL SHEET NUMBER: 3 OF 3

单击下面可查看定价，库存，交付和生命周期等信息

[>>MOLEX](#)