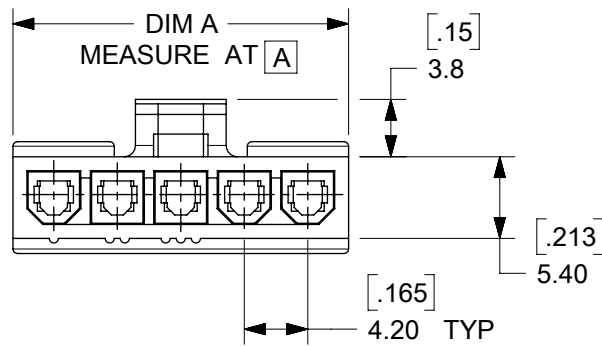
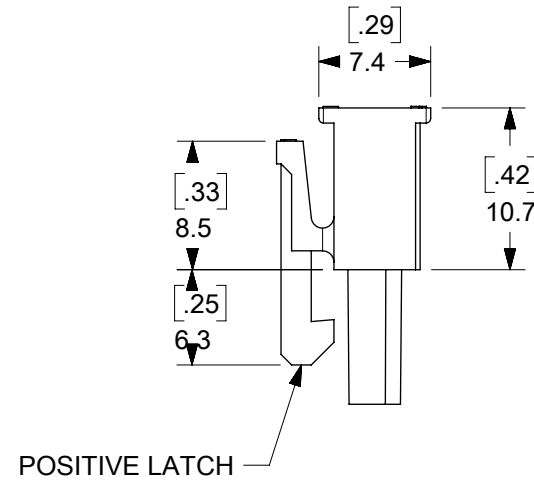
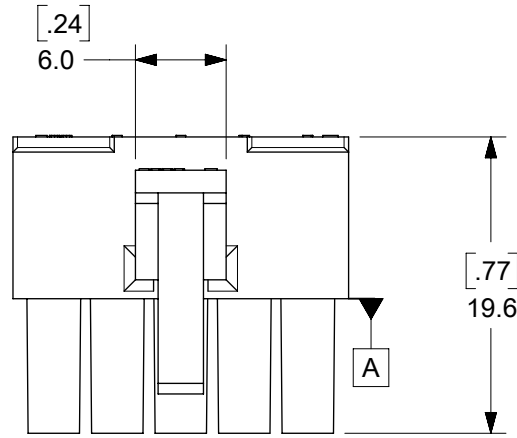


POSITIVE LATCH  
SCALE 2:1

PASSIVE LATCH  
SCALE 2:1

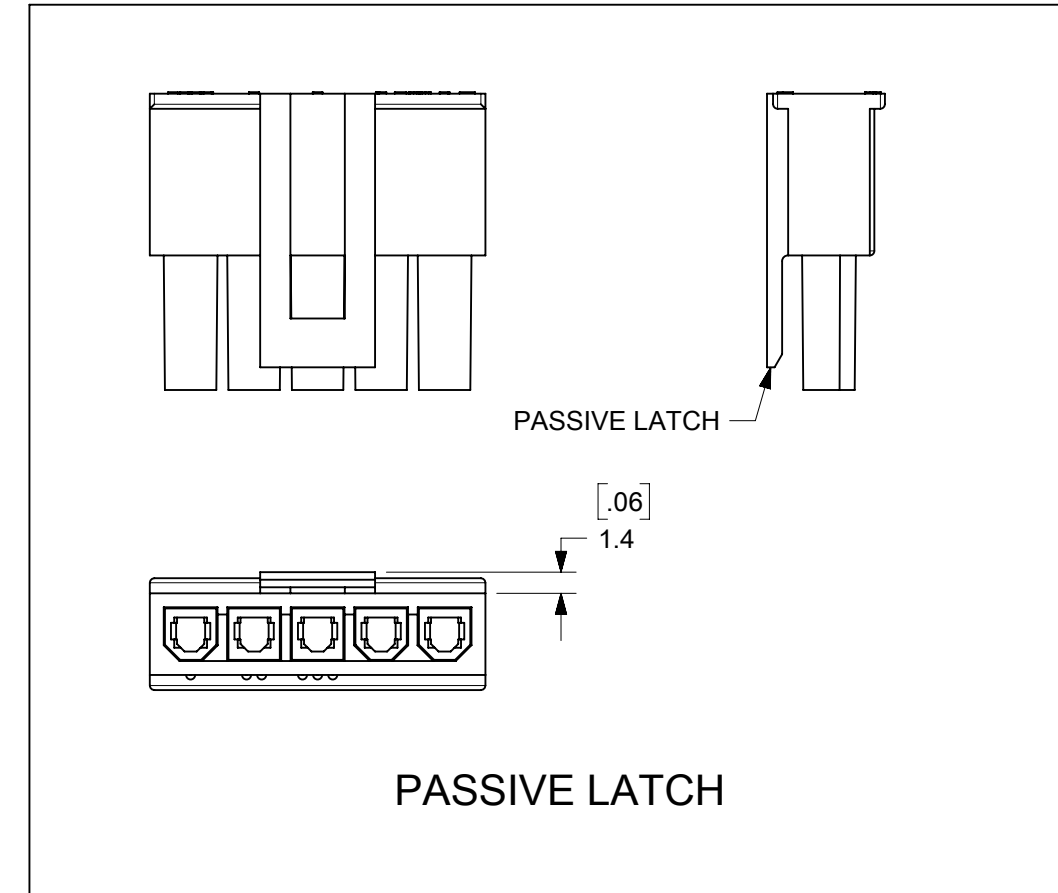


- NOTES:
- MATERIAL:  
0=NYLON, UL94 V-2, COLOR: NATURAL,(BEIGE); IEC 60335-1, 5TH EDITION GLOW WIRE CAPABLE.  
1=NYLON, UL94 V-2, COLOR:BLACK; IEC 60335-1, 5TH EDITION GLOW WIRE CAPABLE.
  - FINISH: NOT APPLICABLE.
  - PRODUCT SPECIFICATION: PS-5556-001.
  - PACKING: PK-5557-002.
  - PART MATES WITH MOLEX PLUG #172646 AND HEADERS #172647 AND #172648.
  - PART TO BE USED WITH MOLEX FEMALE TERMINAL #5556.
  - PART IS NOT DESIGNED FOR CURRENT SHARING.
  - CONNECTORS ARE NOT TO BE MATED OR UNMATED WHILE CIRCUITS ARE LIVE.
  - WIRES ARE TO BE DRESSED IN SUCH A MANNER TO ALLOW THE TERMINALS TO FLOAT FREELY IN THE POCKET.
  - PART CONFORMS TO CLASS "B" REQUIREMENTS OF COSMETIC SPECIFICATION PS-45499-002 WITH THE EXCEPTION OF DISCOLORATION, FLASH AND SINK MEET CLASS "C" REQUIREMENTS.
  - TEXT ON PART IS FOR REFERENCE ONLY. TEXT AND TEXT LOCATION MAY VARY DEPENDING ON PART NUMBER AND/OR TOOL.
  - BUBBLE IS ACCEPTABLE ON LATCH AREA.

LEGEND:

- 46994- \*\* \* \*
- CIRCUIT SIZE \_\_\_\_\_
- MATERIAL \_\_\_\_\_  
SEE NOTE 1
- CONFIGURATION \_\_\_\_\_  
2= SINGLE ROW, POSITIVE LATCH  
4= SINGLE ROW, PASSIVE LATCH

MATERIAL NUMBER	MATERIAL/COLOR	TOOL STATUS	CKT SIZE	LATCH STYLE	DIM A
46994-0212	V-2/BLACK	TOOLED	2	POSITIVE	.378(9.60)
46994-0412	V-2/BLACK	TOOLED	4	POSITIVE	.709(18.00)
46994-0512	V-2/BLACK	TOOLED	5	POSITIVE	.874(22.20)
46994-0612	V-2/BLACK	TOOLED	6	POSITIVE	1.039(26.40)
46994-0712	V-2/BLACK	NOT TOOLED	7	POSITIVE	1.205(30.60)
46994-0514	V-2/BLACK	NOT TOOLED	5	PASSIVE	.874(22.20)
46994-0202	V-2/NATURAL(BEIGE)	TOOLED	2	POSITIVE	.378(9.60)
46994-0402	V-2/NATURAL(BEIGE)	TOOLED	4	POSITIVE	.709(18.00)
46994-0502	V-2/NATURAL(BEIGE)	TOOLED	5	POSITIVE	.874(22.20)
46994-0602	V-2/NATURAL(BEIGE)	TOOLED	6	POSITIVE	1.039(26.40)



THIS DRAWING CONTAINS INFORMATION THAT IS PROPRIETARY TO MOLEX ELECTRONIC TECHNOLOGIES, LLC AND SHOULD NOT BE USED WITHOUT WRITTEN PERMISSION

DIMENSION UNITS <b>mm</b>	SCALE <b>NTS</b>	CURRENT REV DESC:		<b>molex</b>		
GENERAL TOLERANCES (UNLESS SPECIFIED)		EC NO: 719028				
ANGULAR TOL ± 0.5°	4 PLACES ±	DRWN: JERRYW8	2022/08/23	PRODUCT CUSTOMER DRAWING		
3 PLACES ±	2 PLACES ± 0.25	CHKD: XQZHANG	2022/09/01	DOCUMENT NUMBER		
1 PLACE ± 0.38	0 PLACES ±	APPR: XQZHANG	2022/09/01	SD-46994-0000		
DRAFT WHERE APPLICABLE MUST REMAIN WITHIN DIMENSIONS	THIRD ANGLE PROJECTION	INITIAL REVISION:	2013/04/15	DOC TYPE	DOC PART	REVISION
		DRWN: NNGUYEN	2014/05/16	PSD	001	A4
		APPR: FSMITH		MATERIAL NUMBER	CUSTOMER	SHEET NUMBER
				SEE CHART	GENERAL MARKET	1 OF 1

单击下面可查看定价，库存，交付和生命周期等信息

[>>MOLEX](#)